

# FBS Slip & Passbook Printer LB12/LB15

---



Parts Catalogue

**FBS Slip & Passbook Printer  
LB12/LB15  
Parts Catalogue**

## Related manuals

LB12/LB15 Field Support Manual (including MSF)	EK-LB125-SM
LB12/LB15 User's Guide	ER-LB125-UG
APP 6390 HSI (Hardware Software Interface) Manual	AA-PYSXB-TE
APP 6390 Application Programmer's Guide	AA-PTGWB-TE
APP 6390 Available Emulations Reference Manual	AA-PYSWB-TE

This is a publication of DIGITAL EQUIPMENT BCFI AB  
Printers and Peripherals

S-175 29 JÄRFÄLLA, Sweden

© Digital Equipment BCFI AB, 1997

All rights reserved. Reproduction in whole or in parts is prohibited without written consent of the copyright owner. We have taken great care to ensure that the information in this manual is correct and complete. However, if you discover any errors or omissions, or if you wish to make suggestions for improvements, you are welcome to send your comments to us. Digital Equipment BCFI AB disclaims any liability resulting from the use of this information and reserves the right to make changes without notice.

Publication number: EK-LB125-PC

First edition, issued October 1997 (all pages marked 9710)

<b>Section</b>	<b>1.1</b>	<b>HOW TO FIND THE CORRECT ORDERING NUMBER.....</b>	<b>1-2</b>
	<b>1.2</b>	<b>HARDWARE OPTIONS .....</b>	<b>1-2</b>
	<b>1.3</b>	<b>TOOLS .....</b>	<b>1-2</b>

## 1.1 HOW TO FIND THE CORRECT ORDERING NUMBER

The parts list contains two columns for part numbers, one for Order Numbers, the other for Factory Numbers.

The Order Numbers are used for spare parts that can be ordered through the normal Digital Logistics channels.

The Factory Numbers are for internal use and are provided for reference purposes only.

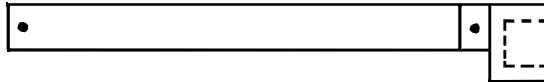
## 1.2 HARDWARE OPTIONS

All hardware options are given in Chapter 2.

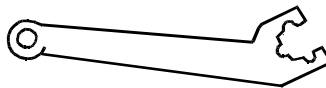
## 1.3 TOOLS

- Magnifying pocket lens (8x)
- Cleaning solution (isopropanol or a similar alcohol)
- Oil Shell Tegula 27 or similar
- Grease ESSO Beacon EP 2 (other lubricants MUST NOT be used)
- Diagnostic panel, maintenance version (Part No. FD-W0TN5-01).

The following special tools are required:



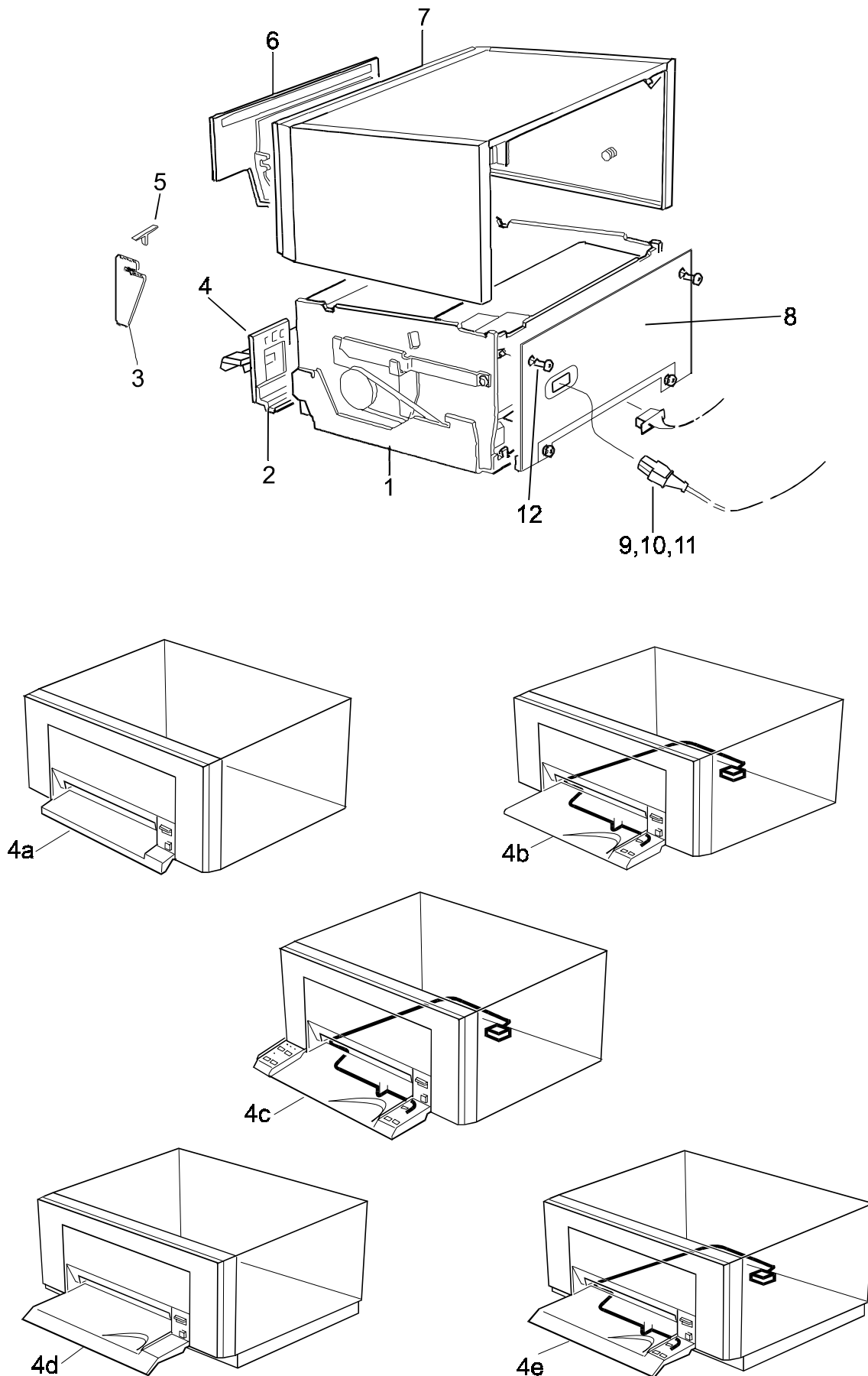
Document sensor tool 5131 102 16240



Reflector adjustment tool 5131 102 16260

<b>Section</b>	<b>2.1</b>	<b>PRINTER UNIT, LB12/LB15.....</b>	<b>Page 2-3</b>
	<b>2.2</b>	<b>PRINTER UNIT, LB12 .....</b>	<b>2-5</b>
	<b>2.3</b>	<b>PRINTER UNIT, LB15 .....</b>	<b>2-7</b>
	<b>2.4</b>	<b>COVER ASSEMBLY, LB12/LB15 .....</b>	<b>2-9</b>
	<b>2.5</b>	<b>PRINthead COMPLETE.....</b>	<b>2-11</b>
	<b>2.6</b>	<b>ROTARY PRINT UNIT ASSEMBLY, LB12/LB15.....</b>	<b>2-13</b>
	<b>2.7</b>	<b>SIDE PLATE ASSEMBLY .....</b>	<b>2-15</b>
	<b>2.8</b>	<b>CARRIAGE ASSEMBLY .....</b>	<b>2-17</b>
	<b>2.9</b>	<b>BASIC PRINTER ASSEMBLY, LB12/LB15 .....</b>	<b>2-19</b>
	<b>2.10</b>	<b>BASIC PRINTER ASSEMBLY, LB12/LB15 (Continued) .....</b>	<b>2-21</b>
	<b>2.11</b>	<b>PRESSURE ROLL ASSEMBLY .....</b>	<b>2-23</b>
	<b>2.12</b>	<b>SIDE PLATE ASSEMBLY .....</b>	<b>2-25</b>
	<b>2.13</b>	<b>SETUP PANEL/DIAGNOSTIC PANEL.....</b>	<b>2-27</b>
	<b>2.14</b>	<b>BOTTOM PLATE ASSEMBLY, LB12 .....</b>	<b>2-29</b>
	<b>2.15</b>	<b>BOTTOM PLATE ASSEMBLY, LB15 .....</b>	<b>2-31</b>
	<b>2.16</b>	<b>MSF ASSEMBLY, LB15.....</b>	<b>2-33</b>

LB12/LB15

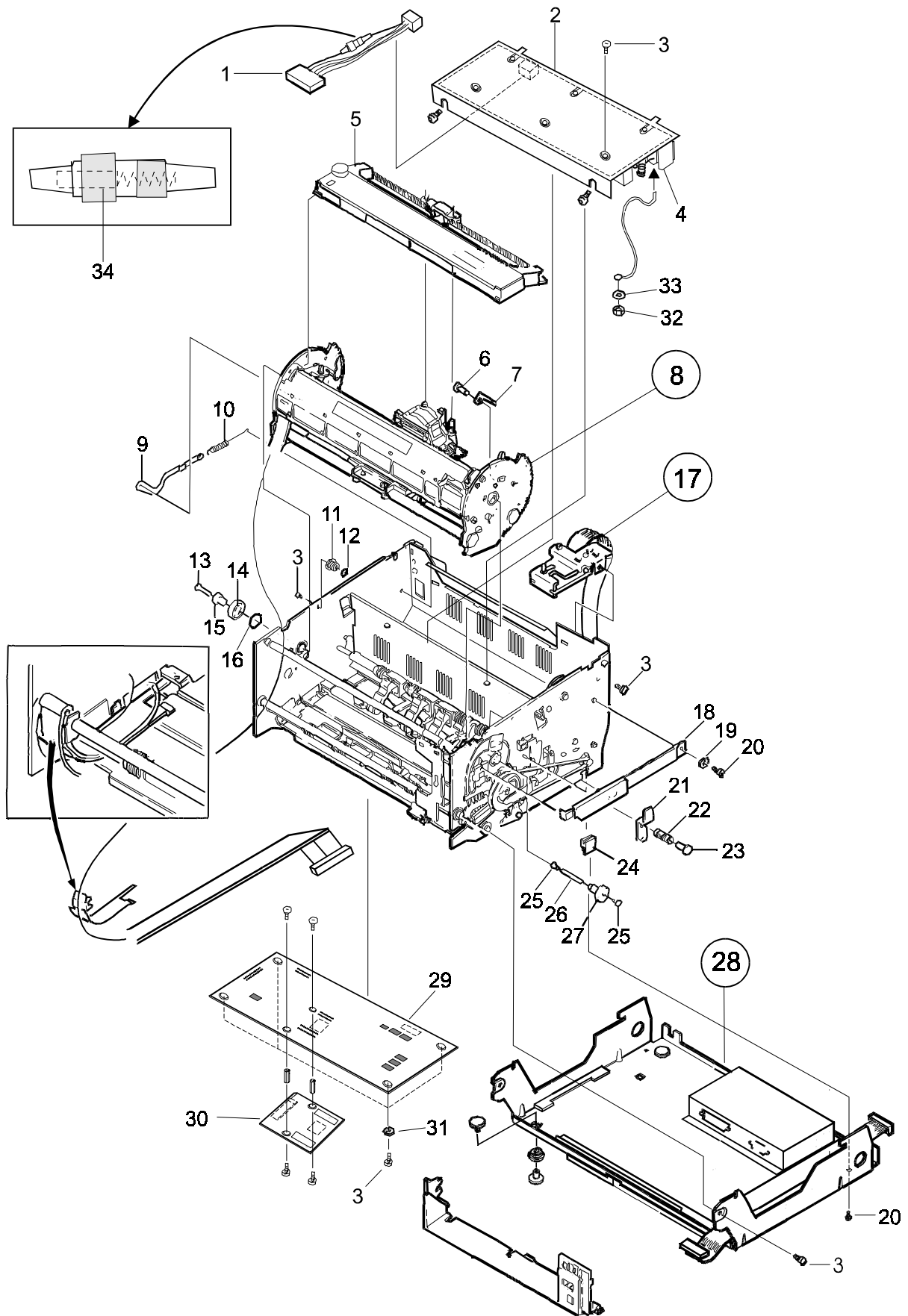


## 2.1 PRINTER UNIT, LB12/LB15

Item	Order Number	Factory Number	Description	Note
<b>01</b>			<b>PRINTER UNIT</b>	<b>See pages 2-5, 2-7</b>
02	FD-W06WS-01	5131 197 67100	Document insert, LB12	
	29-33777-01	5131 197 67200	Document insert, LB15	
03	29-32780-01	5131 102 19070	Transport lock, carriage	
4a	29-33592-01	5131 197 74100	Document guide, LB12 standard	
4b	29-33776-01	5131 197 66400	Document guide, LB12 single operator panel	
4c	FE-01981-01	5131 197 70200	Document guide, LB12 double operator panel	
4d	FD-W0TP8-01	5131 197 48600	Document guide, LB15 standard	
4e	FD-W0TP9-01	5131 197 57600	Document guide, LB15 single operator panel	
05	29-33778-01	5131 102 24700	Transport lock, LB15	
06	29-33861-01	5131 197 79590	<b>Front cover complete</b>	
	29-33773-01	5131 197 69100	Front cover, paper guide	
	29-32736-01	5131 102 11450	Magnet	
	29-33772-01	5131 102 17060	Lift arm	
07	FD-M6290-01	5131 197 51500	Cover assembly	See page 2-9
08		5131 197 75900	Rear plate, LB12	
		5131 197 78200	Rear plate, LB15	
09		5131 000 12681	Power cable Euro plug, 2.5 m	
10		5131 000 12691	Power cable US plug, 2.5 m	
11		5131 000 12671	Power cable UK plug, 2.5 m	
12		2531 052 00009	Screw TORX MRT 4x8	



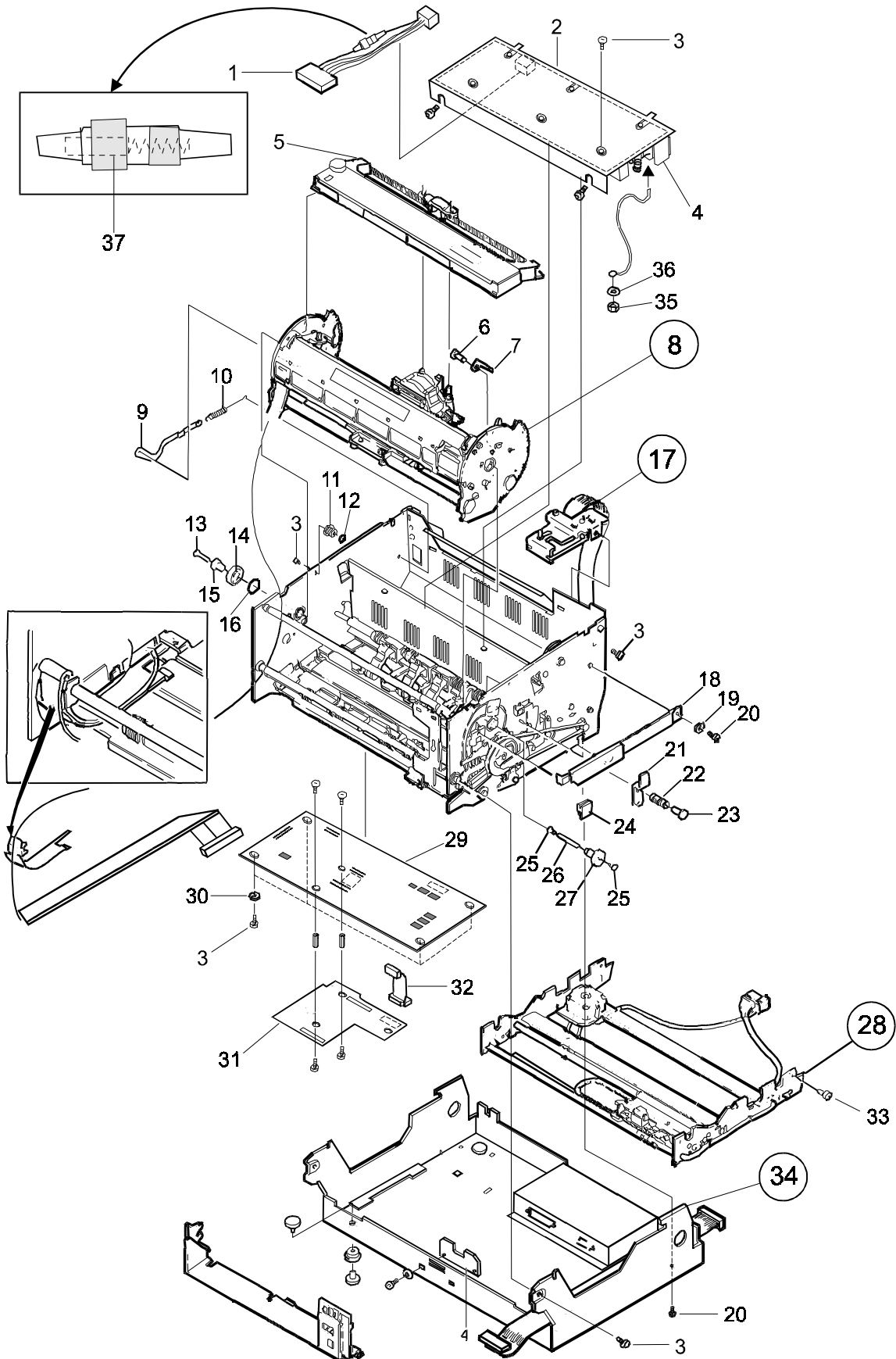
LB12



## 2.2 PRINTER UNIT, LB12

Item	Order Number	Factory Number	Description	Note
		<b>5131 197 78300</b>	<b>PRINTER UNIT, LB12</b>	
01	29-33857-01	5131 196 30800	Cable PSU - Mainboard	
02		5131 197 76000	Lock assembly	
03		2531 052 00009	Screw TORX MRT 4x8	
04	FD-W0TN6-01	5131 110 17690	Power supply	
05	2S-AA333-AA	5131 197 52000	Ribbon cassette S/RC 46C	
06		2531 055 00005	Screw TORX RTS 2.9x9.5	
07		5131 102 10070	Angle, rot. sensor	
08		5131 197 78800	Rotary print unit assembly	See page 2-13
09		5131 197 50100	Link	
10		5131 100 23550	Spring	
11		5131 100 95070	Stop pin	
12		2431 080 00300	O-ring	
13		2522 182 03068	Screw MFX 4x20	
14		5131 102 11950	Disk	
15		5131 102 12000	Hub	
16		2631 080 00459	O-ring	
17	FE-01980-01	5131 197 50500	Setup panel	See page 2-27
	FE-01979-01	5131 195 37000	Diagnostic panel, option	See page 2-27
18		5131 195 36600	Arm	
19		2531 799 97011	Washer BRB 3.2x8x0.8	
20		2531 052 00001	Screw TORX MRT 3x6	
21		5131 100 92030	Bracket	
22	29-32540-01	5131 102 14550	Compression spring	
23		5131 100 98560	Spacer screw	
24		5131 100 97550	Damper	
25		5131 100 98550	Stud	
26		5131 100 92020	Pin	
27		5131 100 95040	Hub screw	
28		5131 197 77100	Bottom plate assy, LB12	See page 2-29
29	29-33775-01	5131 196 31930	Main board	
30	29-33844-01	5131 197 79570	Kit Parallel board	
31		2531 799 97022	Washer 4.3x10x1	
32		2531 404 04007	Nut ML6 M4	
33		2522 600 17174	Washer 4.3x8x0.8	
34		5131 000 12851	Fuse 2.5A, 5x20 Hibreak UL approved	

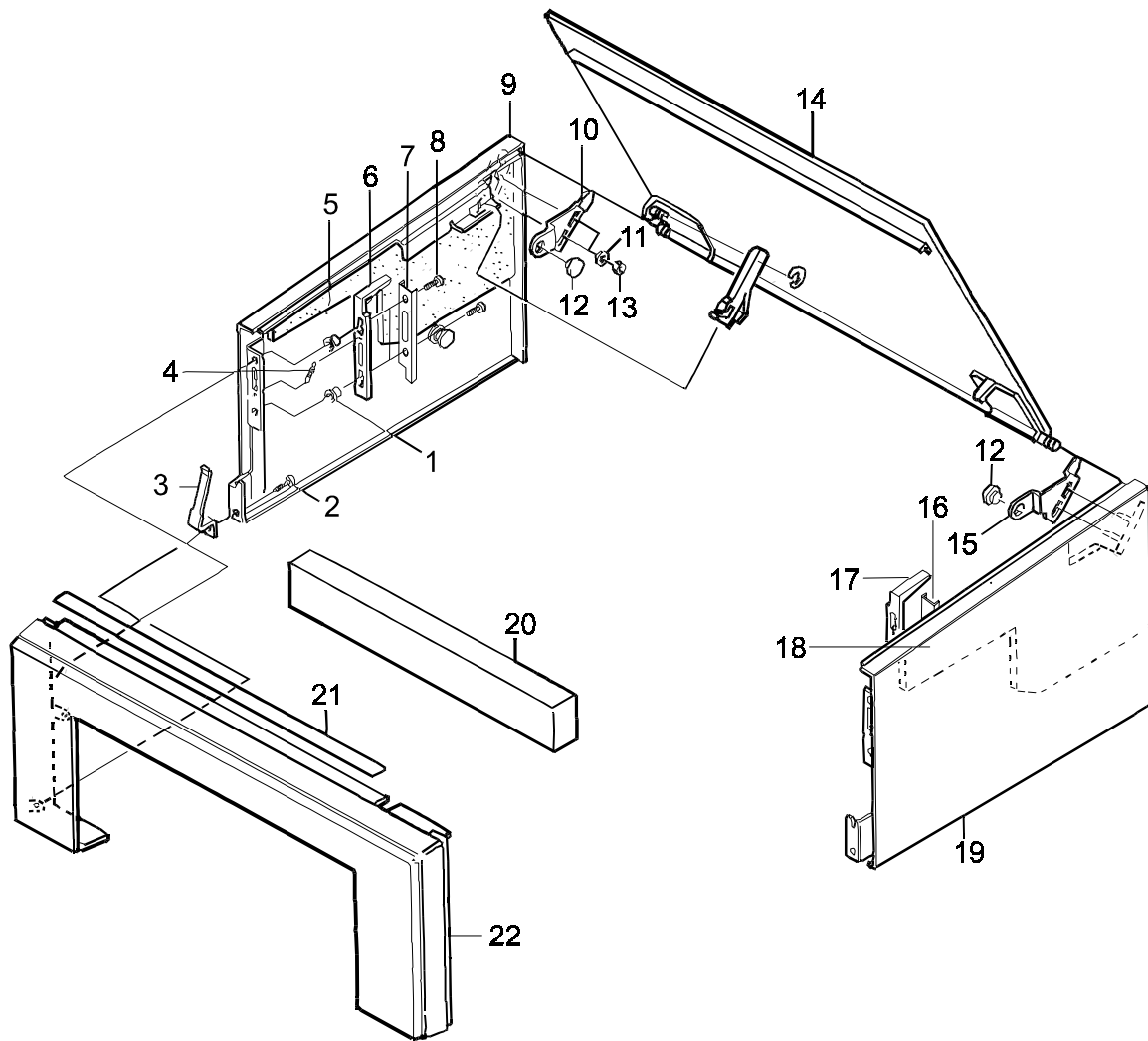
LB15



## 2.3 PRINTER UNIT, LB15

Item	Order Number	Factory Number	Description	Note
		<b>5131 197 78400</b>	<b>PRINTER UNIT, LB15</b>	
01	29-33857-01	5131 196 30800	Cable PSU - Mainboard	
02		5131 197 76000	Lock assembly	
03		2531 052 00009	Screw TORX MRT 4x8	
04	FD-W0TN6-01	5131 110 17690	Power supply	
05	2S-AA333-AA	5131 197 52000	Ribbon cassette S/RC 46C	
06		2531 055 00005	Screw TORX RTS 2.9x9.5	
07		5131 102 10070	Angle, rot. sensor	
08		5131 197 78800	Rotary print unit assembly	See page 2-13
09		5131 197 50100	Link	
10		5131 100 23550	Spring	
11		5131 100 95070	Stop pin	
12		2431 080 00300	O-ring	
13		2522 182 03068	Screw MFX 4x20	
14		5131 102 11950	Disk	
15		5131 102 12000	Hub	
16		2631 080 00459	O-ring	
17	FE-01980-01	5131 197 50500	Setup panel	See page 2-27
	FE-01979-01	5131 195 37000	Diagnostic panel, option	See page 2-27
18		5131 195 36600	Arm	
19		2531 799 97011	Washer BRB 3.2x8x0.8	
20		2531 052 00001	Screw TORX MRT 3x6	
21		5131 100 92030	Bracket	
22	29-32540-01	5131 102 14550	Compression spring	
23		5131 100 98560	Spacer screw	
24		5131 100 97550	Damper	
25		5131 100 98550	Stud	
26		5131 100 92020	Pin	
27		5131 100 95040	Hub screw	
28		5131 197 78900	MSF assy, LB15	
29	29-33775-01	5131 196 31930	Main board	
30		2531 799 97022	Washer 4.3x10x1	
31	29-33843-01	5131 197 79560	MSF logic board	
32	29-33817-01	5131 196 22900	Cable MSF main board	
33		2531 057 00003	Screw TORX MFT 4x8	
34		5131 197 77200	Bottom plate assy, LB15	See page 2-31
35		2531 404 04007	Nut ML6 M4	
36		2522 600 17174	Washer 4.3x8x0.8	
37		5131 000 12851	Fuse 2.5A, 5x20 Hibreak UL approved	

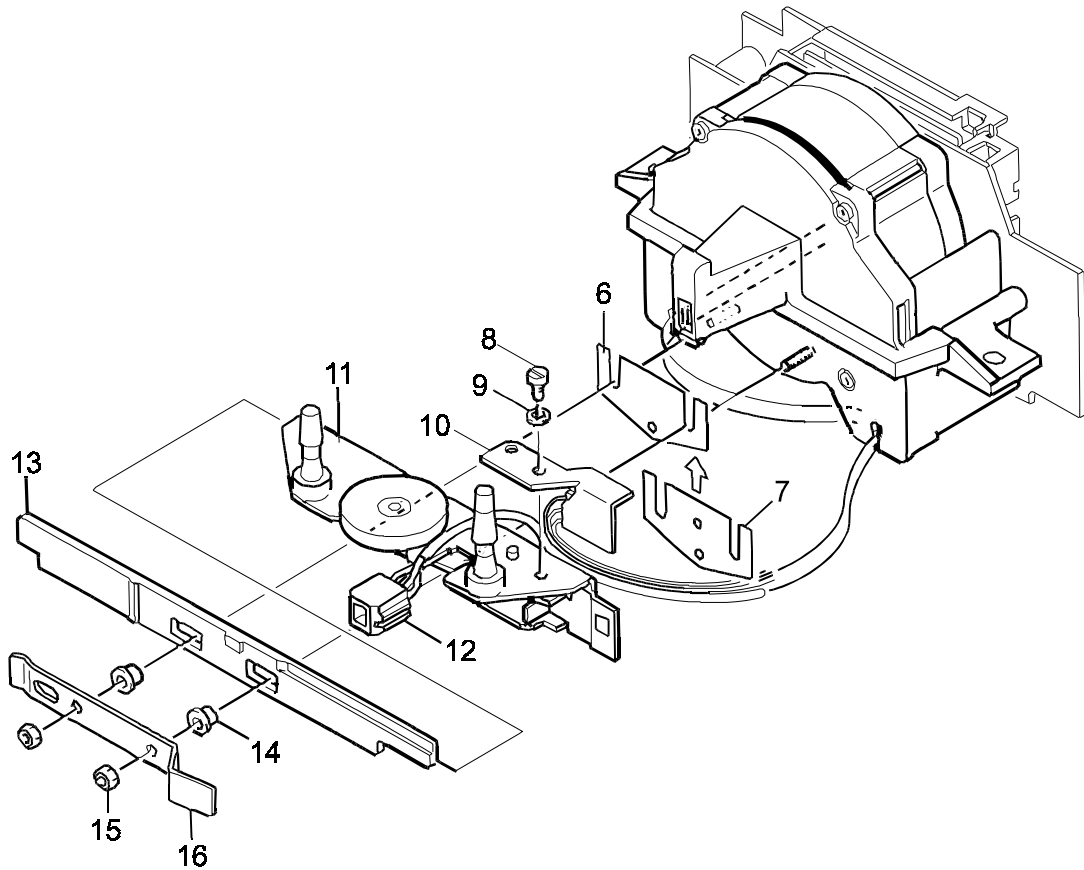
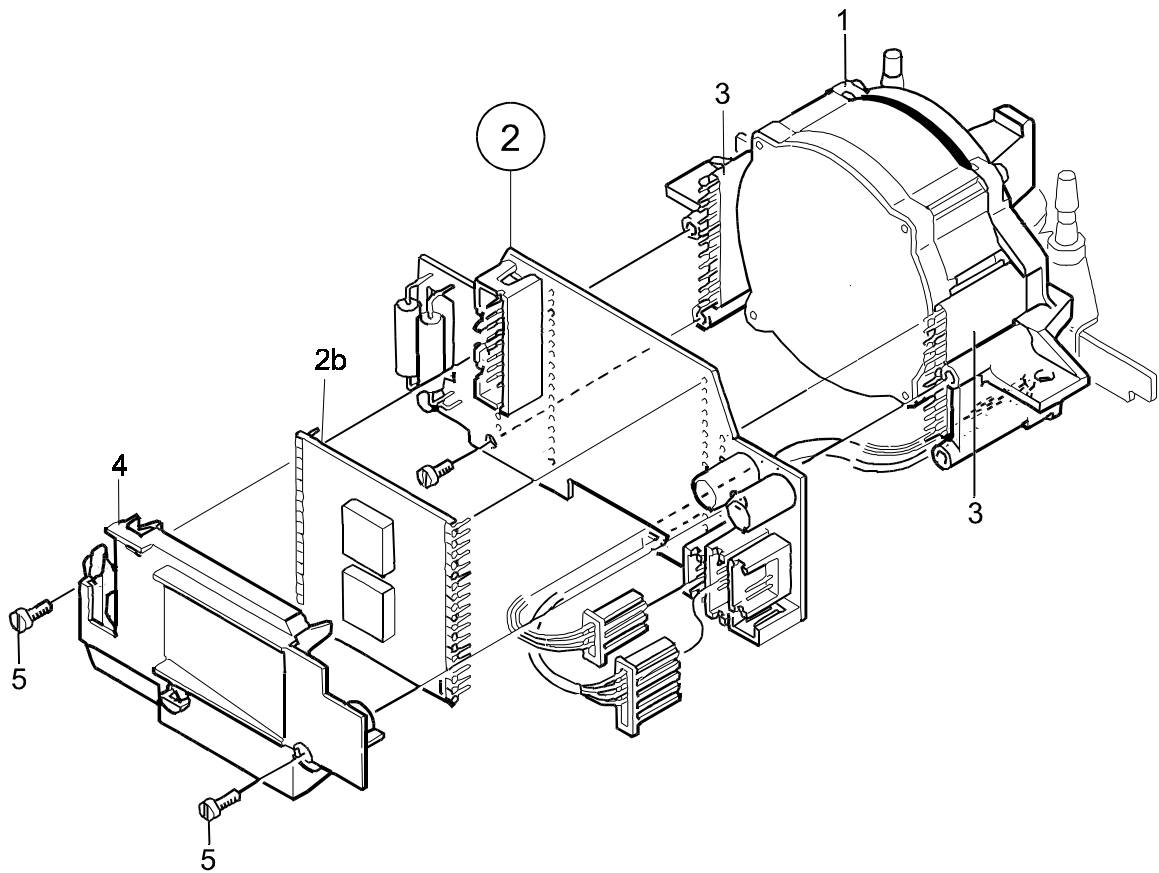
LB12/LB15



## 2.4 COVER ASSEMBLY, LB12/LB15

Item	Order Number	Factory Number	Description	Note
	<b>FD-M6290-01</b>	<b>5131 197 51500</b>	<b>COVER ASSY, LB12/LB15</b>	
01	29-33779-01	5131 100 94060	Spacer	
02		2513 053 00008	Screw TORX RTK-ST 4.2x13	
03		5131 100 94040	Leaf spring	
04	29-33780-01	5131 100 98430	Spring, tension 0.4x4.0x14.2	
05		5131 102 16630	Sound absorber, left	
06	FD-W06SL-01	5131 100 96150	Latch, left	
07		5131 102 26590	Plate, left	
08		2531 053 01009	Screw TORX RTK-ST 4.2x19	
09		5131 195 80900	Side plate, left	
10		5131 100 94120	Guide plate, left	
11		2531 799 97022	Washer BRB 4.3x10x1.0	
12		5131 102 04030	Guide, rubber	
13		2531 400 04007	Nut M6M 4	
14		5131 197 51600	Cover lid	
15		5131 100 97640	Guide plate, right	
16		5131 102 26580	Plate, right	
17	FD-W06SM-01	5131 100 94050	Latch, right	
18		5131 102 16640	Sound absorber, right	
19		5131 195 81000	Side plate, right	
20		5131 102 16590	Sound absorber, front	
21		5131 100 98750	Magnetic strip, self-adhesive	
22		5131 197 51700	Front, grey	

LB12/LB15

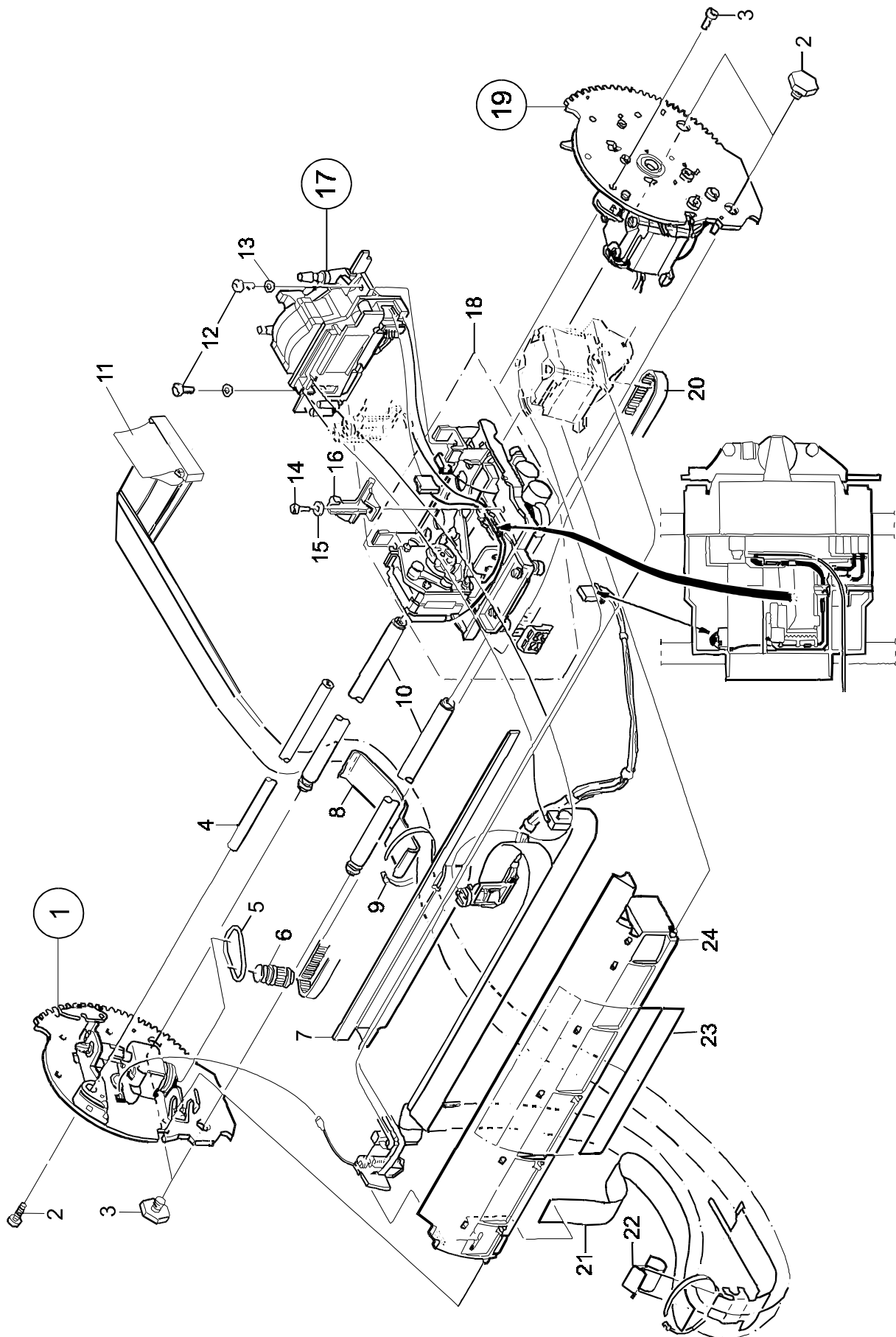


## 2.5 PRINTHEAD COMPLETE

Item	Order Number	Factory Number	Description	Note
	<b>FE-PAE0W-QR</b>	<b>5131 197 53400</b>	<b>PRINTHEAD COMPLETE</b>	
01		5131 110 15930	Printhead assy	
02	29-33859-01	5131 110 22080	Printhead PCB	
2b	FD-W04Y5-01	5131 110 15550	Hybrid IC	
03		5131 102 13320	Insulating foil	
04		5131 102 09730	Cable guide	
05		2522 001 07776	Screw MCS 2.5x6	
06	29-32337-01	5131 102 10850	Adjustment plate 0.1 mm	
07	29-32338-01	5131 102 14920	Adjustment plate 0.07 mm	
08		2522 001 07773	Screw MCS 2.5x4	
09		2522 600 17173	Washer BRB 2.7x6x0.5	
10	29-33461-01	5131 197 75000	Distance sensor assy	
11	FD-W0JMA-01	5131 197 67300	Ribbon guide assy	
12	FD-W0TNN-01	5131 196 18800	PDF sensor	
13		5131 102 08810	Slide	
14		5131 102 08820	Spacer	
15		2531 400 04004	Nut M6M 2.5	
16		5131 102 08830	Leaf spring	



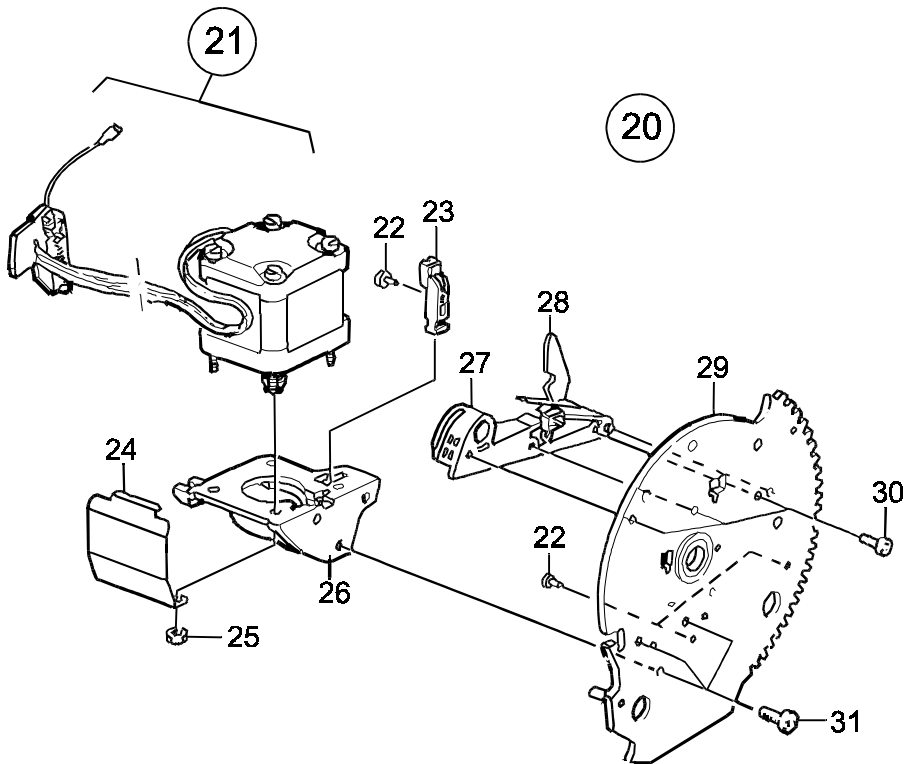
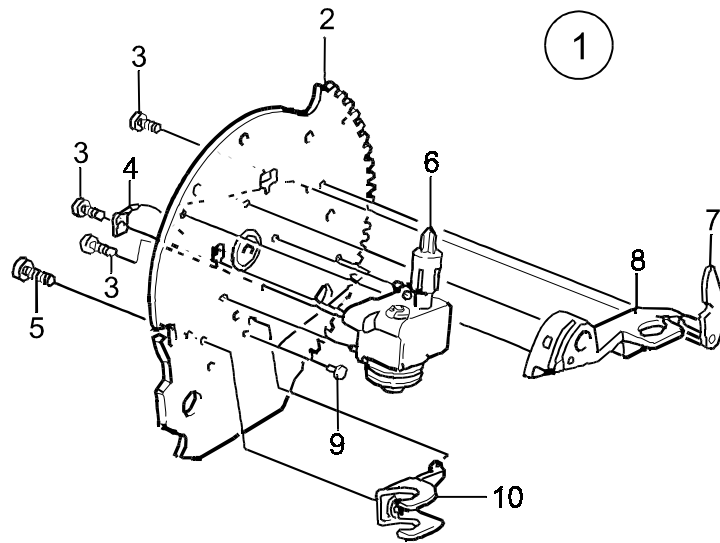
LB12/LB15



## 2.6 ROTARY PRINT UNIT ASSEMBLY, LB12/LB15

Item	Order Number	Factory Number	Description	Note
	<b>29-33858-01</b>	<b>5131 197 78800</b>	<b>ROTARY PRINT UNIT ASSY, LB12/LB15</b>	
01		5131 195 94100	Side plate assy, left	
02		2531 052 00008	Screw TORX MRT 4x6	
03		5131 100 95010	Screw	
04		5131 102 10060	Rod	
05	FD-W0E5L-01	5131 102 12270	O-ring 26.0x1.5	
06	FD-ZZZCN-01	5131 195 92900	Tension shaft	
07		5131 102 10120	Cable fixing	
08		5131 102 10320	Carriage protection	
09		5131 000 03281	Strap 2.5x140	
10		5131 102 10180	Guide rod	
11		5131 196 31200	Cable assembly, LB12/LB15	
12		2522 006 01019	Screw MC6S 4x8	
13		5131 101 11637	Washer BRB 4.3x9x0.8	
14		2531 052 00002	Screw TORX MRT 3x8	
15		2531 799 97011	Washer BRB 3.2x8x0.8	
16	29-33781-01	5131 102 09940	Arm	
17	FE-PAE0W-QR	5131 197 53400	Printhead complete	See page 2-11
18	FD-W0TNA-01	5131 197 72500	Carriage assy	
19		5131 197 47600	Sideplate assy, right	
20	FD-W0348-01	5131 100 88950	Toothed belt	
21		5131 102 17070	Mylar strip	
22		5131 102 10340	Clamp	
23		5131 102 06620	Label	
24		5131 102 10110	Cable duct	

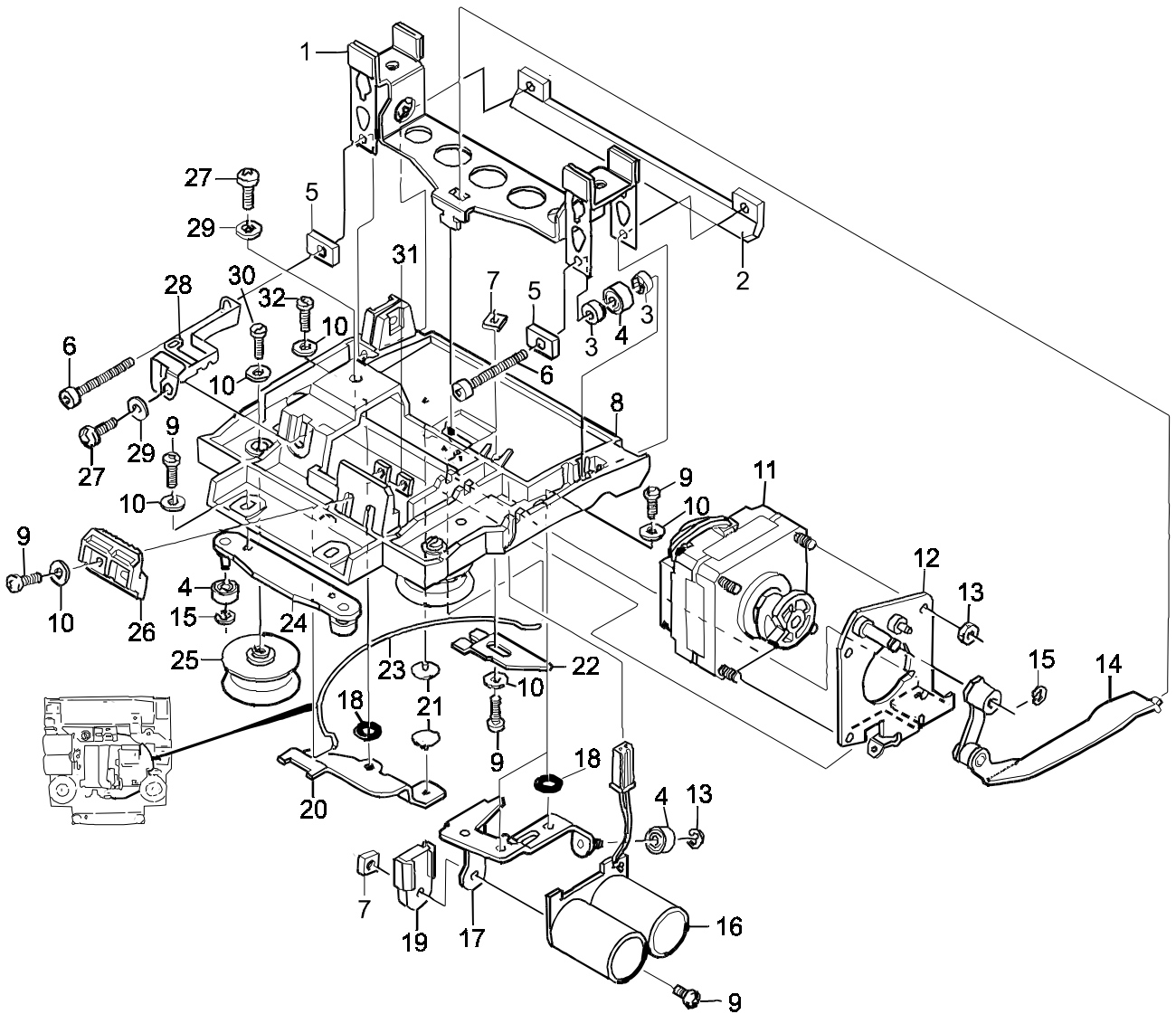
LB12/LB15



## 2.7 SIDE PLATE ASSEMBLY

Item	Order Number	Factory Number	Description	Note
<b>01</b>		<b>5131 195 94100</b>	<b>SIDE PLATE ASSY, LEFT</b>	
02		5131 195 92600	Side plate, left	
03		2531 055 00005	Screw TORX RTS 2.9x9.5	
04		5131 000 10451	Connector, flat pin	
05		2531 052 00011	Screw TORX MRT 4x10	
06	FD-W04KA-01	5131 195 92800	Ribbon drive mechanism	
07	29-32335-01	5131 102 10010	Release arm, left	
08	29-32544-01	5131 195 92200	Cassette support, left	
09	29-33783-01	5131 100 98550	Stud	
10	29-33782-01	5131 195 93000	Tension bracket	
<b>20</b>		<b>5131 197 47600</b>	<b>SIDE PLATE ASSY, RIGHT</b>	
21	FD-W039F-01	5131 196 20400	Carriage Motor Assy	
22	29-33783-01	5131 100 98550	Stud	
23	29-33784-01	5131 102 10090	Arm	
24		5131 102 10290	Plate	
25		2531 400 06005	Nut M6M 3	
26		5131 102 16000	Motor support	
27	29-32543-01	5131 195 92100	Cassette support, right	
28	29-32336-01	5131 102 10020	Release arm, right	
29		5131 197 47500	Side plate, right	
30		2531 055 00005	Screw TORX RTS 2.9x9.5	
31		2531 057 00003	Screw TORX MFT-TT 4x8	

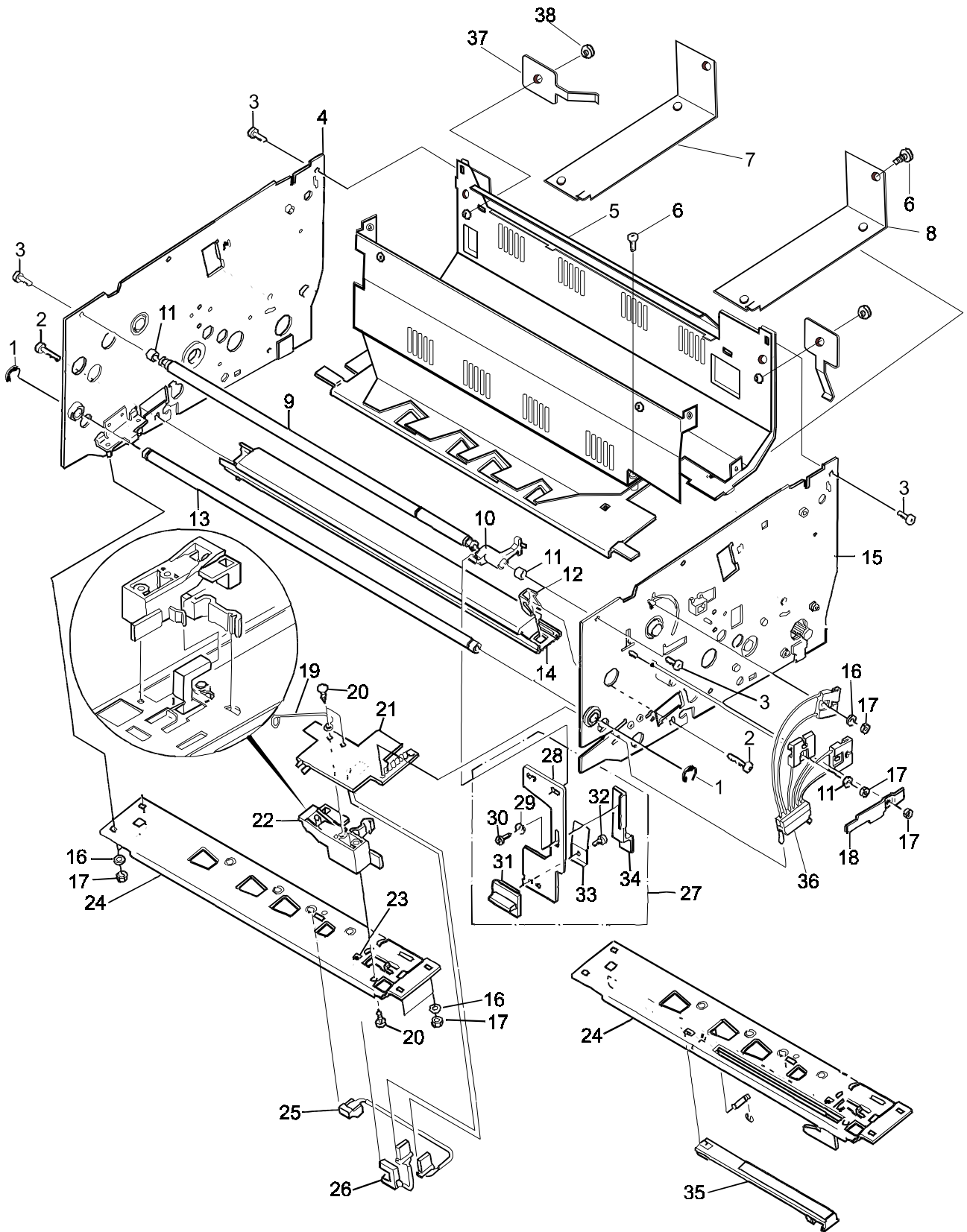
LB12/LB15



## 2.8 CARRIAGE ASSEMBLY

Item	Order Number	Factory Number	Description	Note
	<b>FD-W0TNA-01</b>	<b>5131 197 72500</b>	<b>CARRIAGE ASSY</b>	
01		5131 195 92000	Bracket	
02		5131 102 25020	Nut	
03		5131 102 09720	Spacer	
04	29-33785-01	2622 001 30691	Ball bearing	
05		5131 102 09700	Washer	
06		2522 006 01027	Screw MC6S 4x25	
07	29-33786-01	2531 499 98021	Nut M3 6x2	
08	29-32332-01	5131 102 10000	Carriage	
09		2531 052 00002	Screw TORX MRT 3x8	
10		2531 799 97011	Washer BRB 3.2x8x0.8	
11	29-33854-01	5131 197 72400	PDC motor with curve-wheel	
12		5131 195 93400	Motor plate	
13		2531 400 04005	Nut M6M3	
14	29-33787-01	5131 195 93500	Link	
15		2522 634 04006	Circlip RS 3.2	
16	FD-W01E3-01	5131 196 04940	Capacitor board	
17		5131 195 92400	Tightening arm, rear	
18		2631 080 00291	O-ring 3.3x2.4	
19	FD-W07BL-01	5131 102 11930	Guide block	
20		5131 102 09820	Tightening arm, left	
21		5131 102 09990	Slide button	
22	29-33788-01	5131 102 25110	Lock arm	
23	29-33789-01	5131 102 09760	Wire spring	
24	29-33790-01	5131 195 92300	Tightening arm, rear	
25	FD-W07P2-01	5131 102 06130	Guide roll	
26	29-33791-01	5131 102 09930	Belt clamp	
27		2531 052 00008	Screw TORX MRT 4x6	
28		5131 102 11890	Ground conductor plate	
29		2531 799 97022	Washer BRB 4.3x10x1	
30		2531 052 00004	Screw TORX MRT 3x12	
31		5131 102 17400	Nut plate	
32		2531 052 00003	Screw TORX MRT 3x10	

LB12/LB15

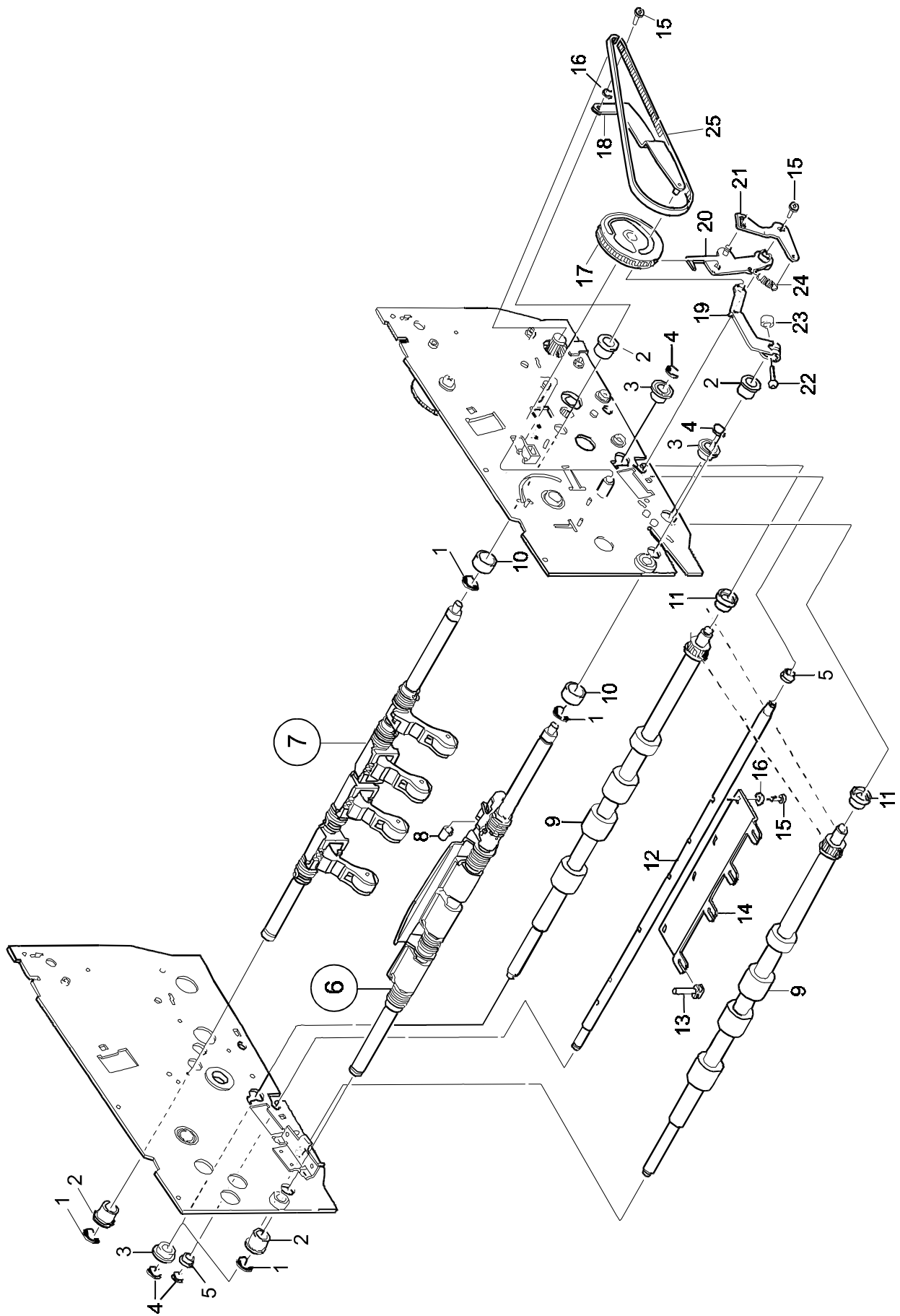


## 2.9 BASIC PRINTER ASSEMBLY, LB12/LB15

Item	Order Number	Factory Number	Description	Note
		<b>5131 197 78300</b>	<b>BASIC PRINTER ASSY, LB12</b>	
		<b>5131 197 78400</b>	<b>BASIC PRINTER ASSY, LB15</b>	
01		2522 634 04011	Circlip RS 7	
02		2531 052 00014	Screw TORX MRT 4x20	
03		2531 052 00011	Screw TORX MRT 4x10	
04		5131 197 65400	Side plate assy, left	See page 2-25
05		5131 197 76200	Guide plate assy	
06		2531 052 00009	Screw MRT 4x8	
07		5131 197 74700	Guide, left	
08		5131 197 74800	Guide, right	
09		5131 102 10910	Rod	
10	FD-W06MV-01	5131 100 93710	Arm	
11		5131 100 95080	Damper, rubber	
12		5131 100 91900	Bracket	
13		5131 100 91500	Rod	
14	FD-W075F-01	5131 197 26700	Print bar assy	
15		5131 197 49000	Side plate assy, right	See page 2-25
16		2531 799 97011	Washer BRB 3.2x8x0.8	
17		2531 400 04005	Nut M6M 3	
18		5131 102 10890	Plate	
19	29-32554-01	5131 102 25260	Spring	
20		2531 055 00004	Screw TORX RTS 2.9x9.5	
21	FD-81486-01	5131 196 31940	Circuit board assy, sensor	
22	29-32550-01	5131 102 23960	Holder, AIF	
23	29-32552-01	5131 102 23970	Lens	
24	29-32770-01	5131 197 57800	Plate, LB12	
	29-33793-01	5131 197 57000	Plate, LB15	
25	FD-W0319-01	5131 196 07200	Sensor with cable, outer	
26	29-32551-01	5131 196 20800	Sensor with cable, edge	
27		5131 195 94900	Lid Release Arm Assy	
28		5131 102 10920	Arm	
29		2531 799 97011	Washer BRB 3.2x8x0.8	
30		2531 052 00001	Screw TORX MRT 3x6	
31		5131 195 82700	Button, grey	
32		2531 055 00007	Screw TORX RTS 3.5x6.5	
33		5131 100 98390	Leaf spring	
34		5131 100 98400	Bracket	
35	29-33794-01	5131 102 23950	MSF head lid	
36	29-33860-01	5131 197 79530	Opto cable assy	
37		5131 102 26610	Ground plate	
38		2531 400 04007	Nut M6M4	



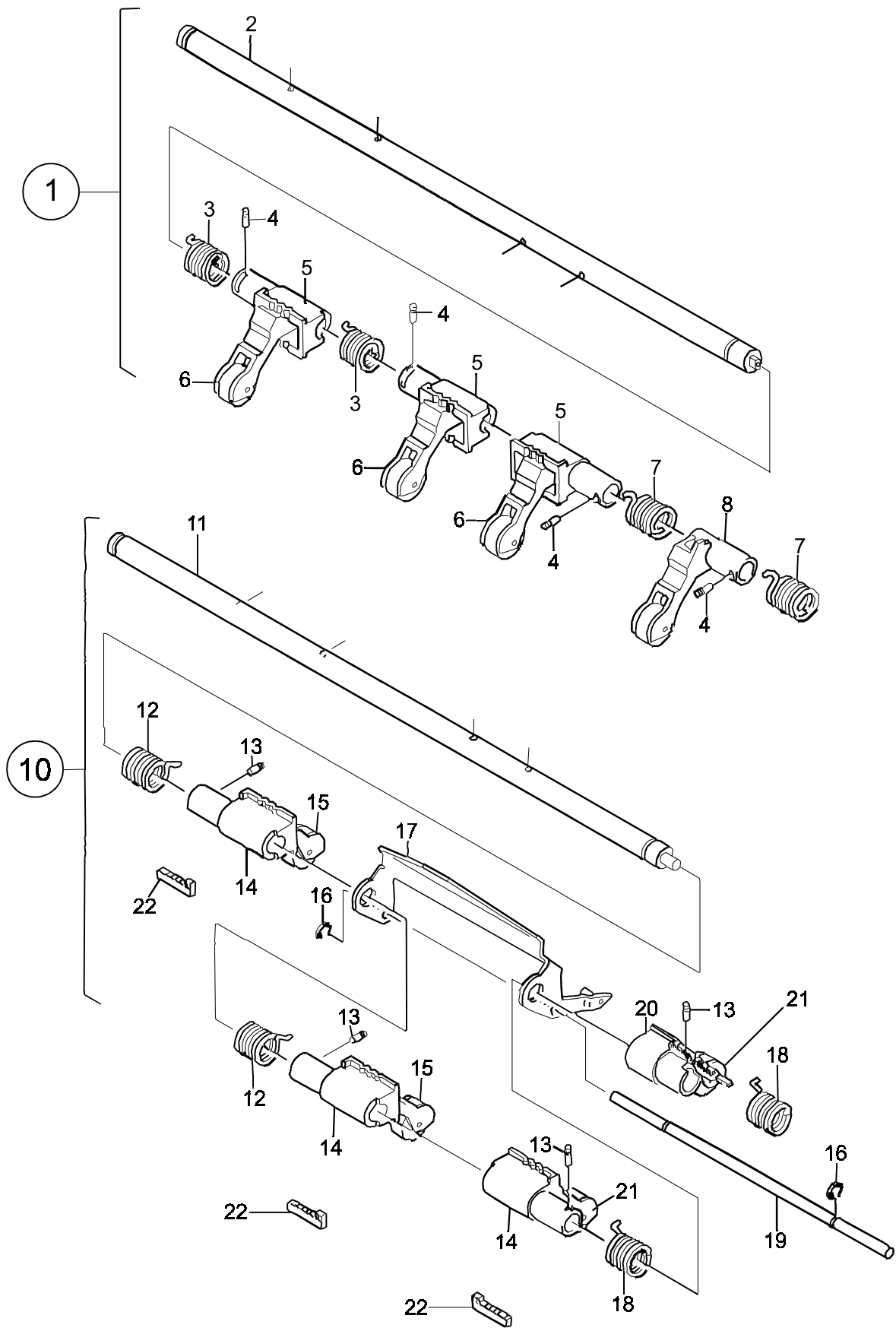
LB12/LB15



## 2.10 BASIC PRINTER ASSEMBLY, LB12/LB15 (Continued)

Item	Order Number	Factory Number	Description	Note
<b>BASIC PRINTER ASSY, LB12/LB15</b>				
01		2522 634 04011	Circlip RS 7.0	
02	29-33797-01	5131 100 98340	Bushing	
03	FD-82098-01	5131 102 26140	Bushing	
04		2522 634 04008	Circlip RS 5.0	
05	29-33796-01	5131 102 07240	Bushing	
06		5131 197 79640	Pressure roll assy, front	
07		5131 197 77600	Pressure roll assy, rear	
08	FD-W03AM-01	5131 102 18480	Reflector	
09	FD-W07YR-01	5131 197 47800	Feed rolls shaft	
10	29-33799-01	5131 100 98330	Bushing 12.1x14.0x5	
11	29-33800-01	5131 102 10580	Bushing	
12		5131 102 07320	Shaft	
13	FD-82151-01	5131 102 09410	Stop pin, front	
14	29-33801-01	5131 102 10550	Lift plate	
15		2531 052 00001	Screw TORX MRT 3x6	
16		2531 799 97007	Washer BRB 3.2x10x1	
17		5131 102 26560	Pulley	
18		5131 197 76600	Arm	
19	29-32541-01	5131 195 90500	Arm	
20		5131 195 90200	Arm	
21		5131 102 07300	Arm	
22	29-33805-01	2522 006 50341	Screw MC6S 3x16	
23	29-33804-01	5131 102 20360	Nut plate	
24	29-33803-01	3531 500 63410	Tension spring	
25	29-33802-01	5131 100 96780	Toothed belt MXL 212	

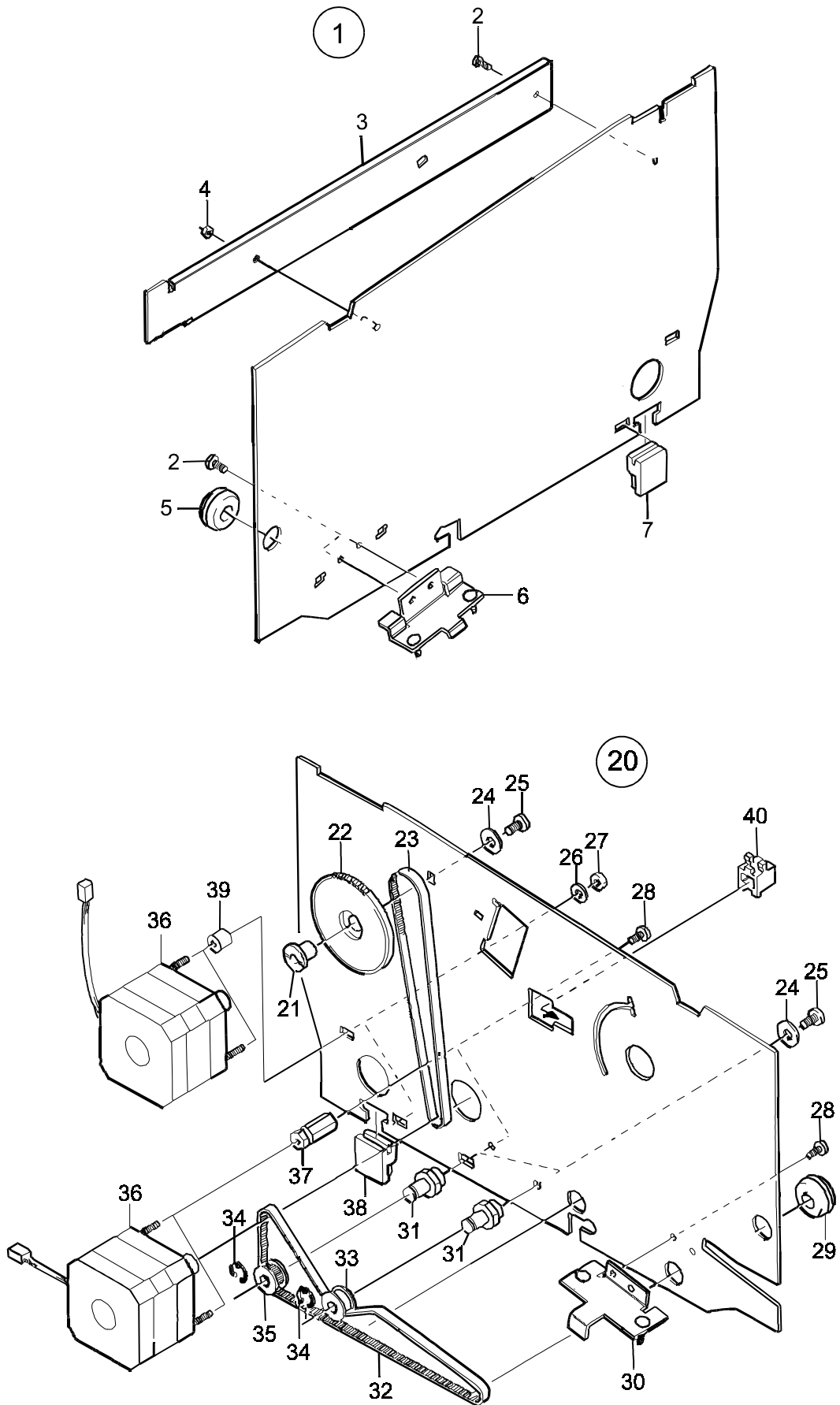
LB12/LB15



## 2.11 PRESSURE ROLL ASSEMBLY

Item	Order Number	Factory Number	Description	Note
<b>01</b>	<b>29-33862-01</b>	<b>5131 197 77600</b>	<b>PRESSURE ROLL ASSY, REAR</b>	
02	29-33863-01	5131 102 26430	Shaft rear	
03	29-33806-01	5131 102 10690	Torsion spring	
04	29-32330-01	5131 100 98350	Pin	
05	29-33807-01	5131 102 10880	Guide, roll holder	
06	FD-W07RS-01	5131 195 89400	Grasp roll holder assy	
07	29-33808-01	5131 102 06280	Torsion spring	
08	FD-W07RR-01	5131 195 89300	Grasp roll holder assy	
<b>10</b>	<b>29-33855-01</b>	<b>5131 197 79640</b>	<b>PRESSURE ROLL ASSY, FRONT</b>	
11	29-33856-01	5131 102 26745	Shaft, front	
12	29-33808-01	5131 102 06280	Torsion spring	
13	29-32330-01	5131 100 98350	Pin	
14	29-33807-01	5131 102 10880	Guide, roll holder	
15	FD-W07RS-01	5131 195 89400	Grasp roll holder assy	
16		2522 634 04007	Circlip RS 4.0	
17	29-33809-01	5131 195 89100	Handle	
18	29-33806-01	5131 102 10690	Torsion spring	
19		5131 102 25250	Shaft	
20	29-32776-01	5131 102 24960	Guide, roll holder	
21	29-32777-01	5131 197 68000	Grasp roll holder assy	
22	29-32778-01	5131 102 24980	Lock pin	

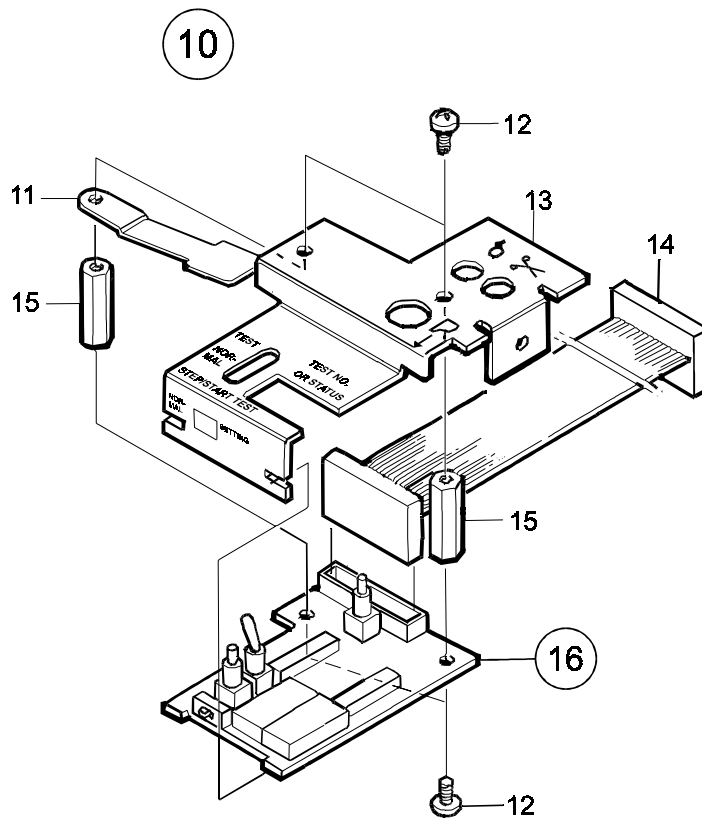
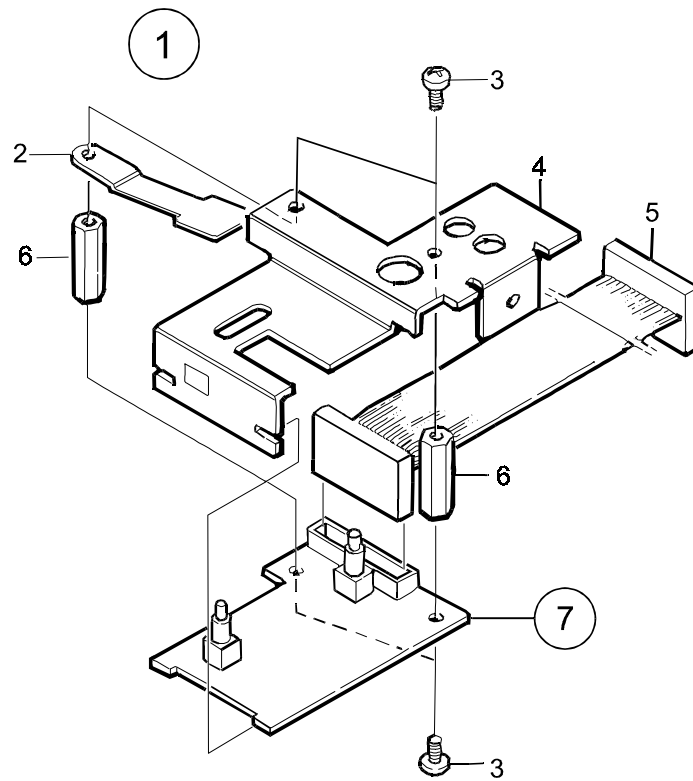
LB12/LB15



## 2.12 SIDE PLATE ASSEMBLY

Item	Order Number	Factory Number	Description	Note
<b>01</b>		<b>5131 197 65400</b>	<b>SIDE PLATE ASSY, LEFT</b>	
02		2531 052 00001	Screw TORX MRT 3x6	
03		5131 100 97880	Support plate	
04		2531 400 04005	Nut M6M 3	
05		5131 102 04020	Damper	
06		5131 197 15000	Support plate, left	
07		5131 102 97550	Damper	
<b>20</b>		<b>5131 197 49000</b>	<b>SIDE PLATE ASSY, RIGHT</b>	
21		5131 100 91860	Hub	
22		5131 100 91840	Thumb wheel	
23	29-33810-01	5131 100 96750	Toothed belt MXL132	
24		2522 600 17027	Washer BRB 4.3x12x1.0	
25		2531 052 00008	Screw TORX MRT 4x6	
26		2531 799 97011	Washer spring BRB 3.2x8x0.8	
27		2531 400 04005	Nut M6M 3	
28		2531 052 00001	Screw TORX MRT 3x6	
29		5131 102 04020	Damper	
30		5131 197 14900	Support plate, right	
31		5131 100 91870	Shaft	
32	29-33811-01	5131 100 96770	Toothed belt MXL175	
33		5131 100 91930	Pulley	
34		2522 634 04007	Circlip RS 4.0	
35		5131 100 91850	Pulley	
36	FD-W0658-01	5131 195 30000	Stepper motor	
37		5131 100 91530	Spacer, hex	
38		5131 102 97550	Damper	
39		5131 100 91520	Spacer 3.6x10.0x6.5	
40		5131 100 92010	Guide	

# LB12/LB15

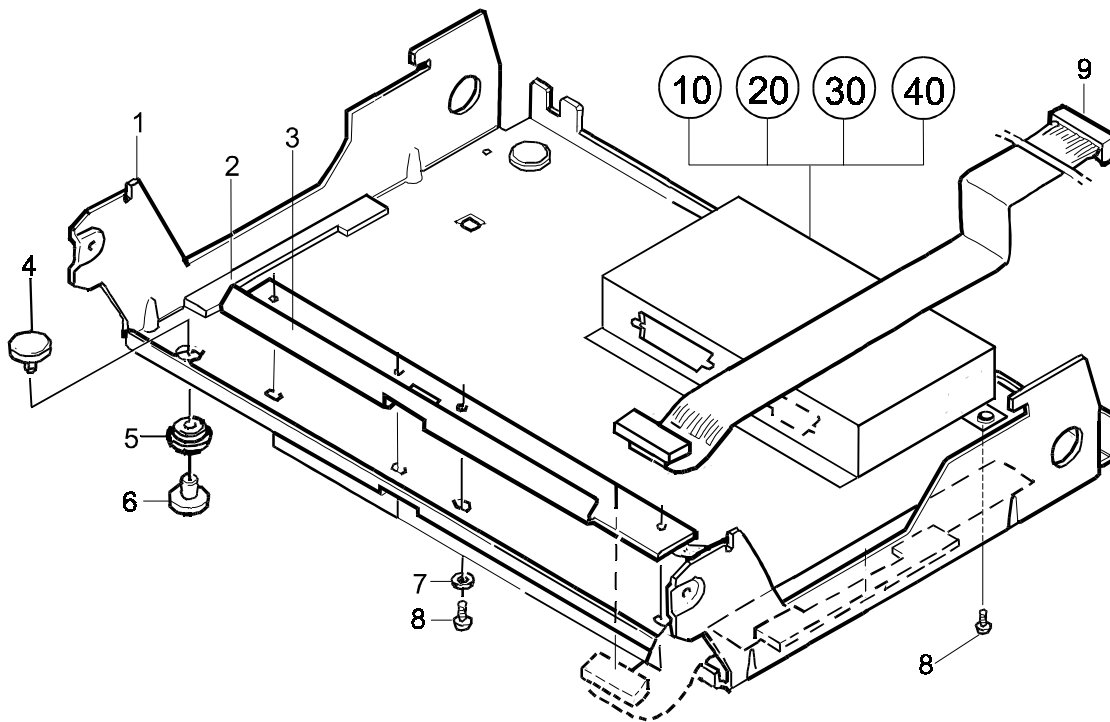
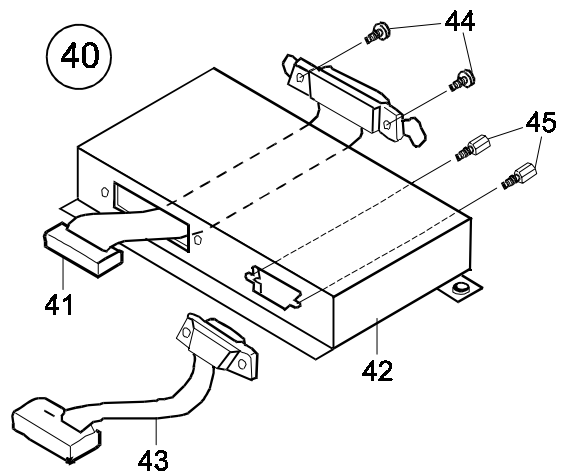
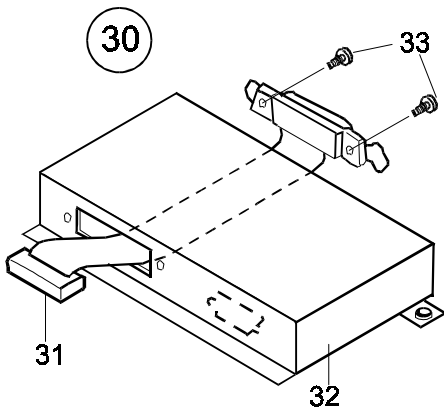
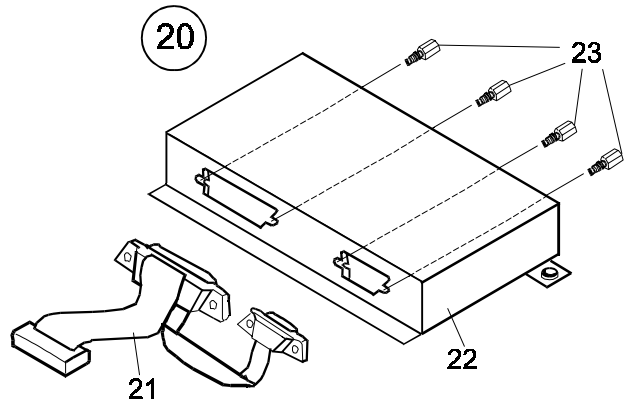
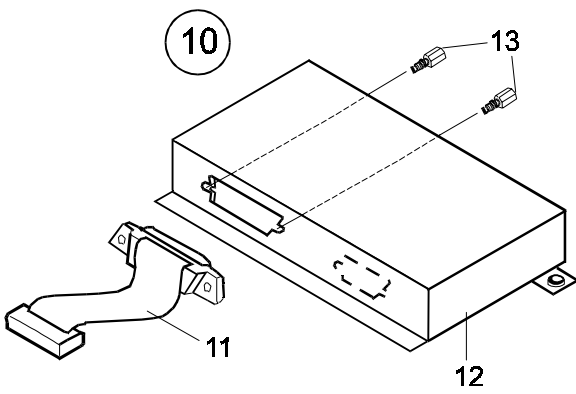


## 2.13 SETUP PANEL/DIAGNOSTIC PANEL

Item	Order Number	Factory Number	Description	Note
<b>01</b>	<b>FE-01980-01</b>	<b>5131 197 50500</b>	<b>SETUP PANEL</b>	
02		5131 100 93780	Leaf spring	
03		2522 180 07022	Screw TORX MRT 3x6	
04		5131 197 50600	Plate	
05	29-33812-01	5131 196 00610	Cable assy	
06		5131 100 93770	Spacer, hex	
07	FD-W0TN4-01	5131 196 18700	Setup panel PCB assy	
<b>10</b>	<b>FE-01979-01</b>	<b>5131 195 37000</b>	<b>DIAGNOSTIC PANEL</b>	
11		5131 100 93780	Leaf spring	
12		2522 180 07022	Screw TORX MRT 3x6	
13		5131 197 71700	Plate, with text	
14	29-33812-01	5131 196 00610	Cable assy	
15		5131 100 93770	Spacer, hex	
16	FD-W00VN-01	5131 196 00210	Diagnostic panel PCB assy	



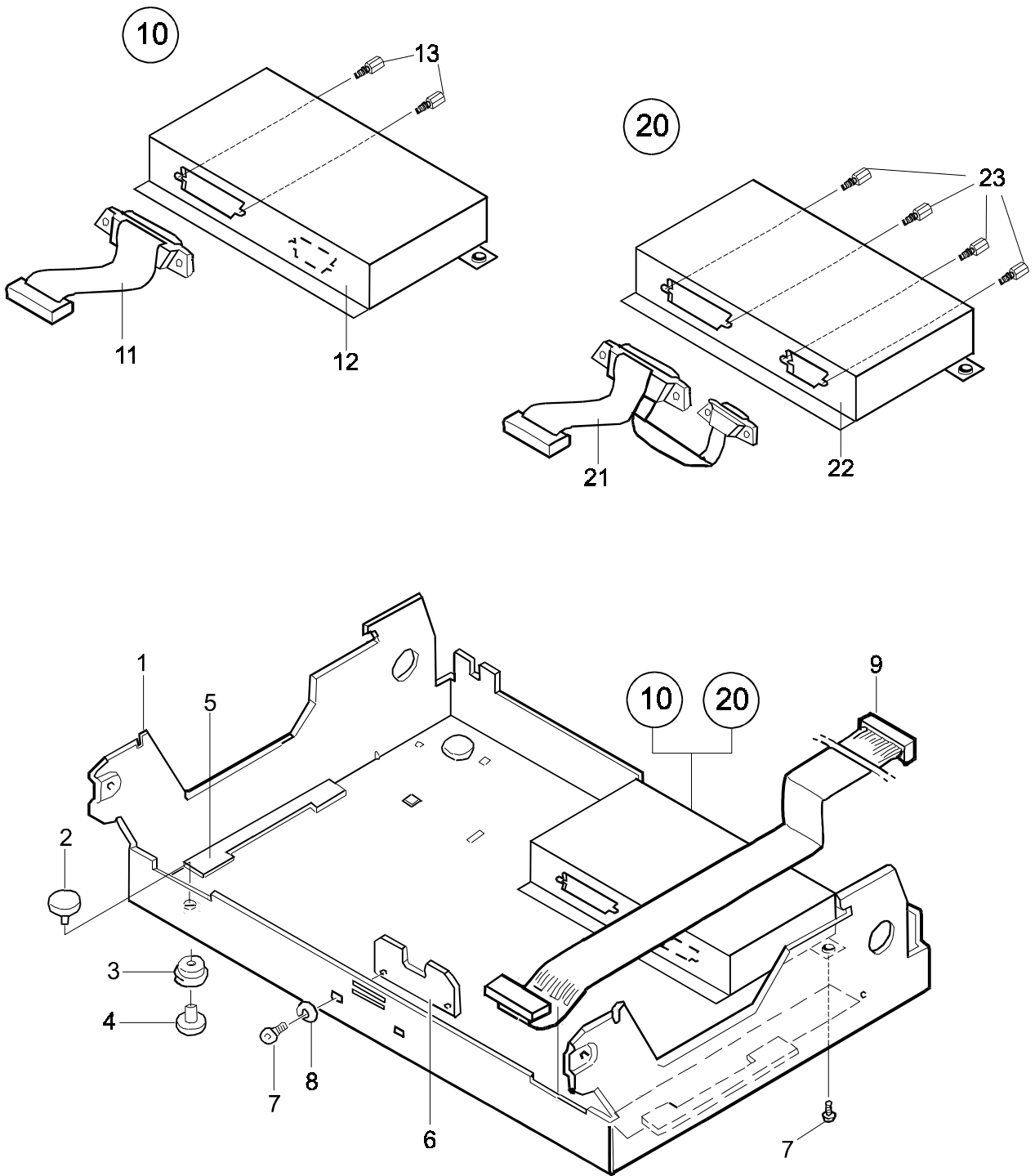
LB12



## 2.14 BOTTOM PLATE ASSEMBLY, LB12

Item	Order Number	Factory Number	Description	Note
		<b>5131 197 77100</b>	<b>BOTTOM PLATE ASSY, LB12</b>	
01		5131 102 26500	Bottom plate	
02		5131 102 26120	Damper	
03		5131 102 13380	Guide plate	
04	29-33815-01	5131 102 14930	Button	
05	FD-W0D6A-01	3531 500 10640	Bushing, rubber	
06	29-33814-01	5131 102 14940	Foot	
07		2531 799 97011	Washer BRB 3.2x8x0.8	
08		2531 052 00002	Screw TORX MRT 3x6	
09	29-33813-01	5131 196 03890	Cable assy	
<b>10</b>		<b>5131 197 79200</b>	<b>Cable signal V24 assy</b>	
11	29-33866-01	5131 196 31600	Cable V24	
12		5131 197 78600	Connector plate	
13		5131 000 12521	Lock screw	
<b>20</b>		<b>5131 197 79300</b>	<b>Cable V24/Op. panel assy</b>	
21	29-33867-01	5131 196 31700	Cable V24/Op. panel	
22		5131 197 78600	Connector plate	
23		5131 000 12521	Lock screw	
<b>30</b>		<b>5131 197 79500</b>	<b>Cable Parallel assy</b>	
31	29-32936-01	5131 196 26000	Cable signal Parallel	
32		5131 197 78700	Connector plate	
33		2522 001 07776	Screw TORX MRT 3x6	
<b>40</b>		<b>5131 197 79520</b>	<b>Cable Parallel/Op. panel assy</b>	
41	29-32936-01	5131 196 26000	Cable signal Parallel	
42	29-33868-01	5131 196 26200	Cable signal Op. panel	
43		5131 197 78700	Connector plate	
44		2522 001 07776	Screw TORX MRT 3x6	
45		5131 000 12521	Lock screw	

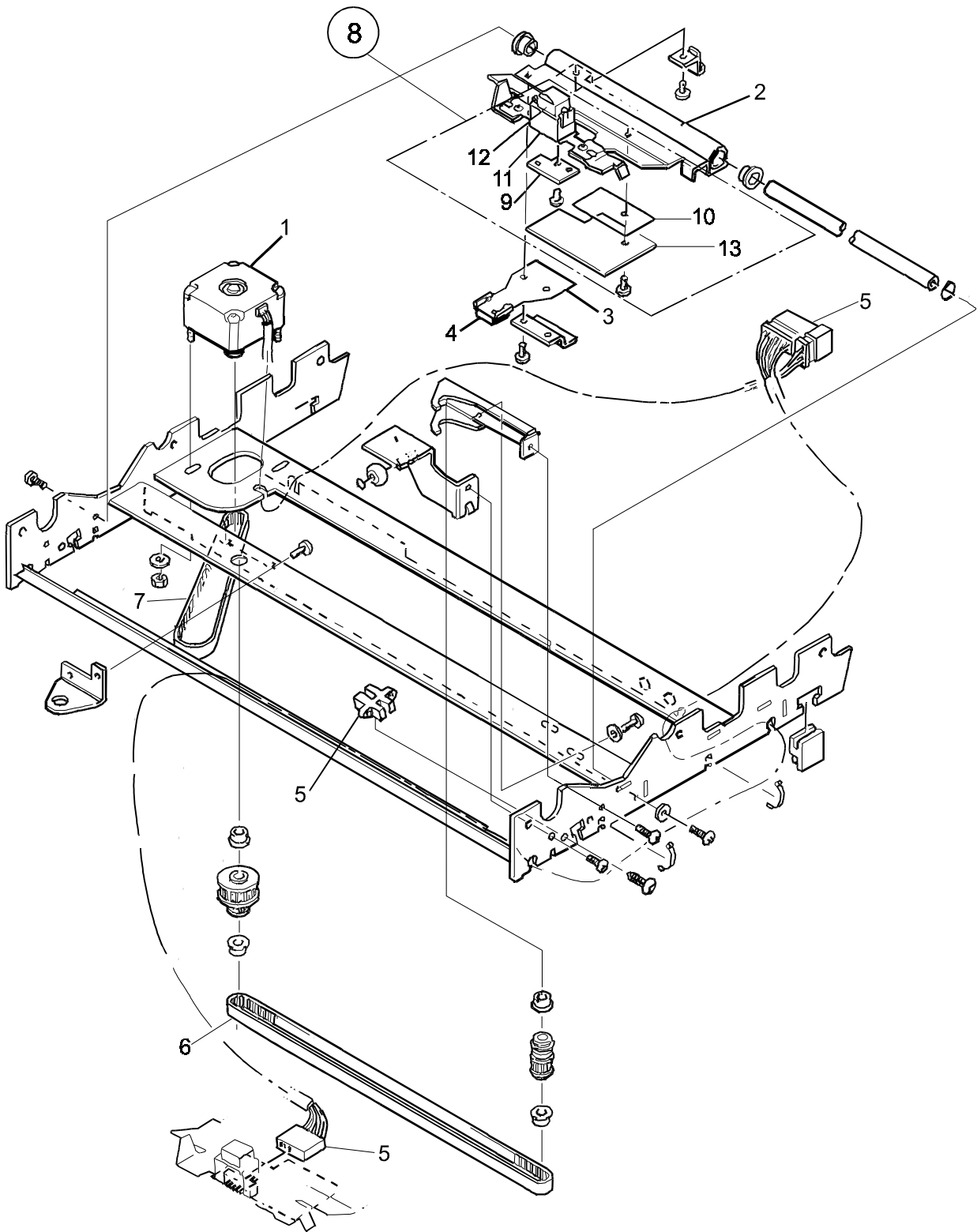
LB15



## 2.15 BOTTOM PLATE ASSEMBLY, LB15

Item	Order Number	Factory Number	Description	Note
		<b>5131 197 77200</b>	<b>BOTTOM PLATE ASSY, LB15</b>	
01		5131 197 77000	Bottom plate	
02	29-33815-01	5131 102 14930	Button	
03	FD-W0D6A-01	3531 500 10640	Bushing, rubber	
04	29-33814-01	5131 102 14940	Foot	
05		5131 102 26120	Damper	
06		5131 102 17320	Guide plate	
07		2531 052 00002	Screw TORX MRT 3x6	
08		2531 799 97011	Washer BRB 3.2x8x0.8	
09	29-33813-01	5131 196 03890	Cable assy	
<b>10</b>		<b>5131 197 79200</b>	<b>Cable signal V24 assy</b>	
11	29-33866-01	5131 196 31600	Cable V24	
12		5131 197 78600	Connector plate	
13		5131 000 12521	Lock screw	
<b>20</b>		<b>5131 197 79300</b>	<b>Cable signal V24/Op. panel assy</b>	
21	29-33867-01	5131 196 31700	Cable V24/Op. panel	
22		5131 197 78600	Connector plate	
23		5131 000 12521	Lock screw	

LB15



## 2.16 MSF ASSEMBLY, LB15

Item	Order Number	Factory Number	Description	Note
		<b>5131 197 78900</b>	<b>MSF ASSY</b>	
01	FD-W0TP5-01	5131 197 48000	Stepper motor	
02	FD-W0TP6-01	5131 197 54800	MSF carriage	
03	29-33819-01	5131 102 23850	Spring leaf	
04	29-33820-01	5131 102 23880	Plastic bearing	
05	FD-W0TP4-01	5131 196 17700	MSF cable assy, with edge sensor	
06	FD-W0TPB-01	5131 102 24130	Belt length 232 mm	
07	29-33865-01	5131 102 26470	Belt length 100 mm	
08	29-33824-01	5131 197 66300	<b>MSF R/W head assy</b>	
09	29-33822-01	5131 102 24830	Nut plate	
10	29-33823-01	5131 102 23990	Isolation film	
11	29-33821-01	5131 102 23930	Holder, MSF head	
12	FD-W0TPC-01	5131 102 17280	MSF head	
13	FD-W0TPD-01	5131 196 17500	R/W head board	



**digital**



Printed in Sweden on  
Totally Chlorine Free (TCF) paper