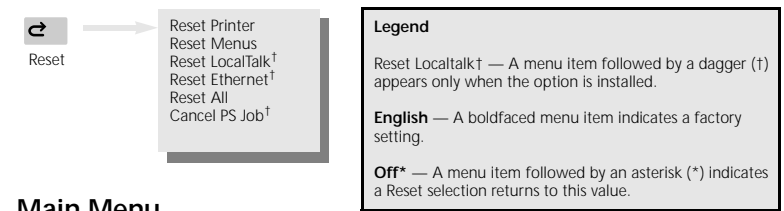
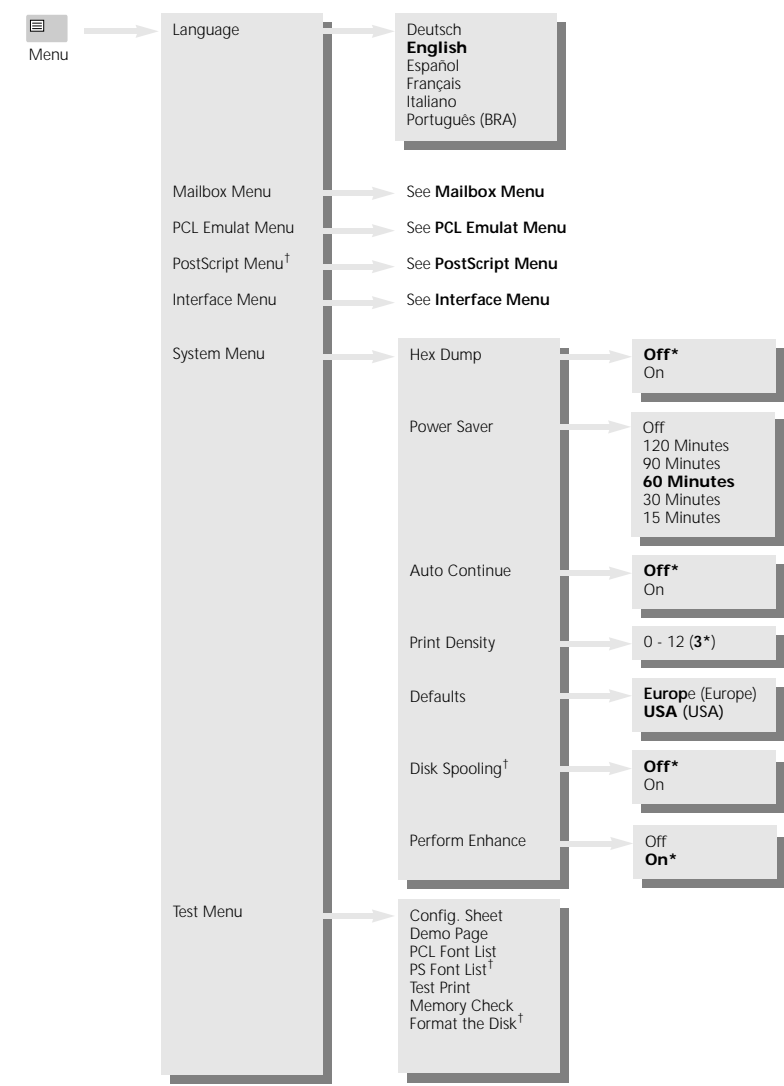


Control Panel Menu Hierarchy

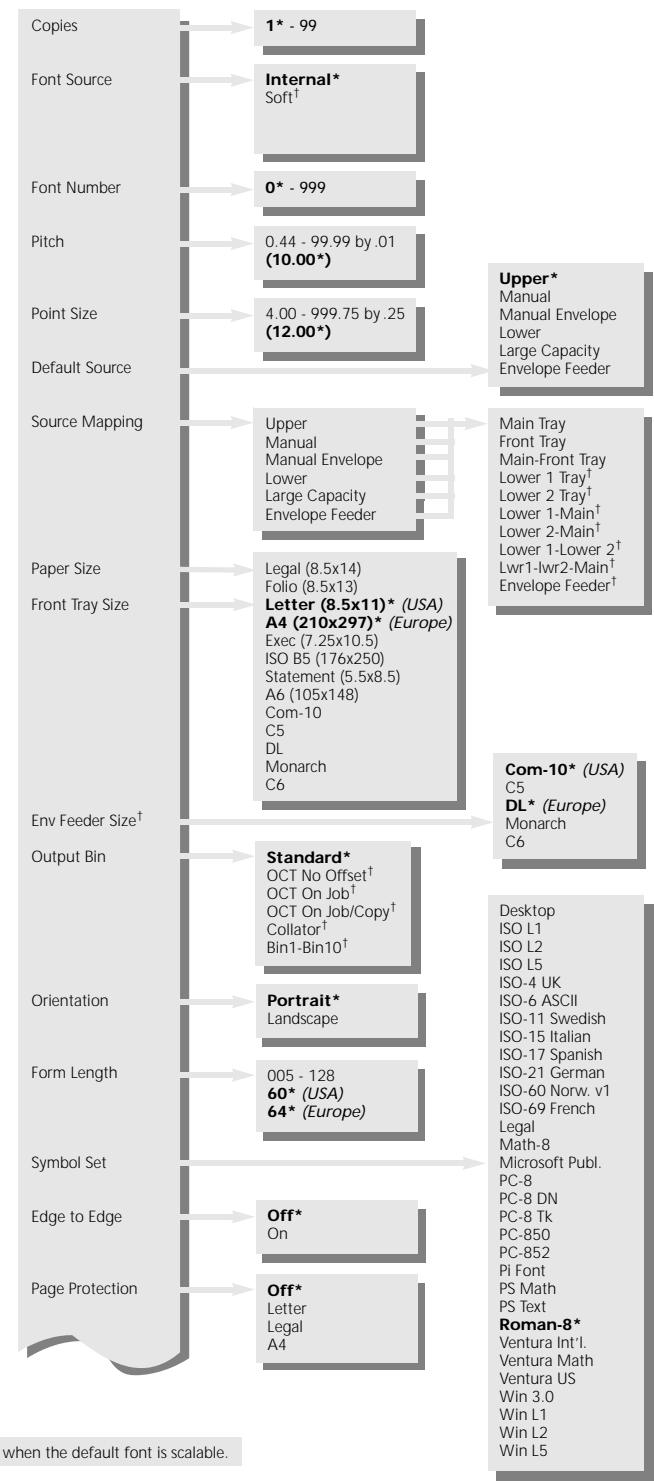
Reset Menu



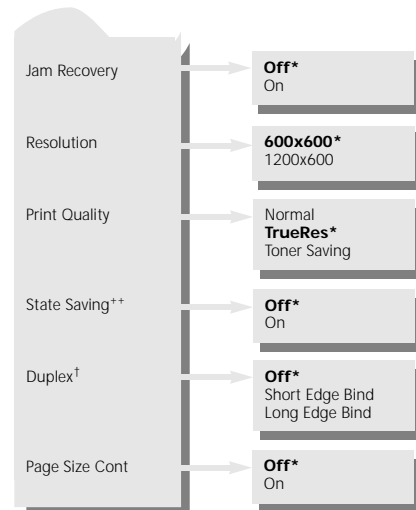
Main Menu



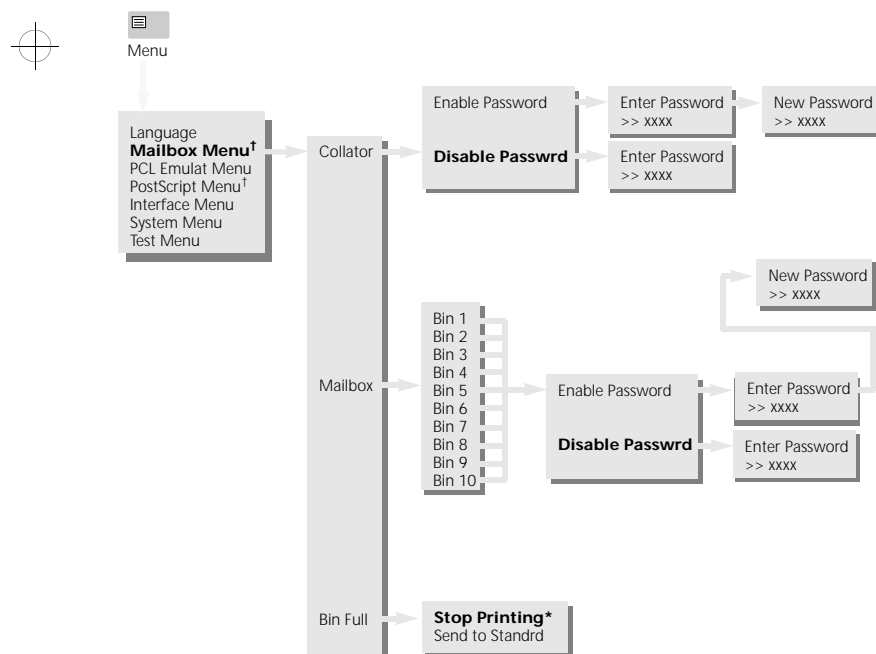
PCL Emulat Menu



PCL Emulat Menu *(continued)*

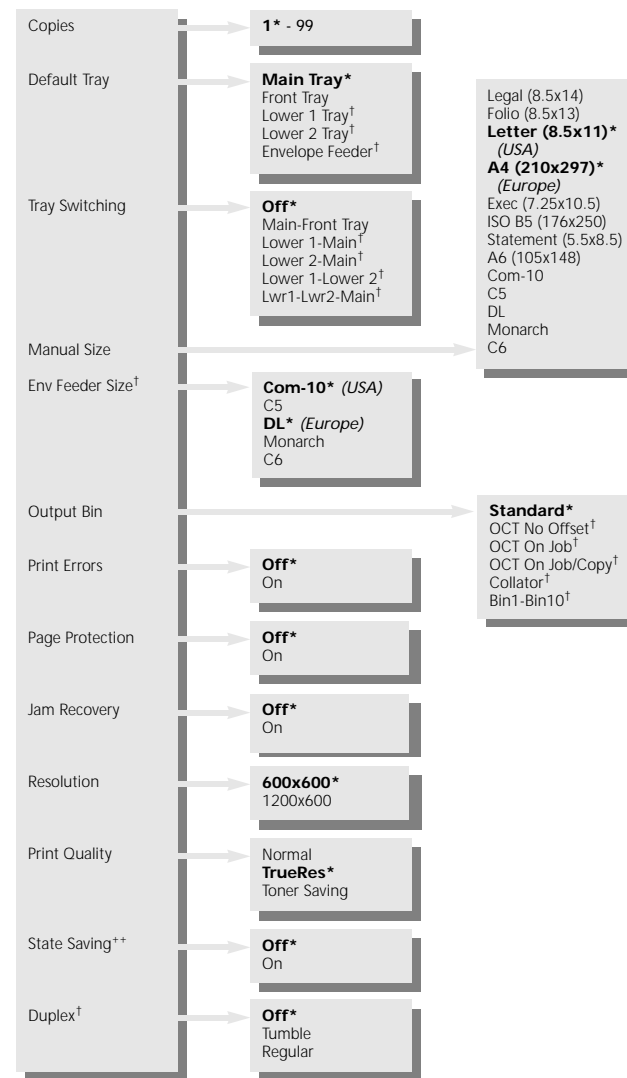


Mailbox Menu[†]



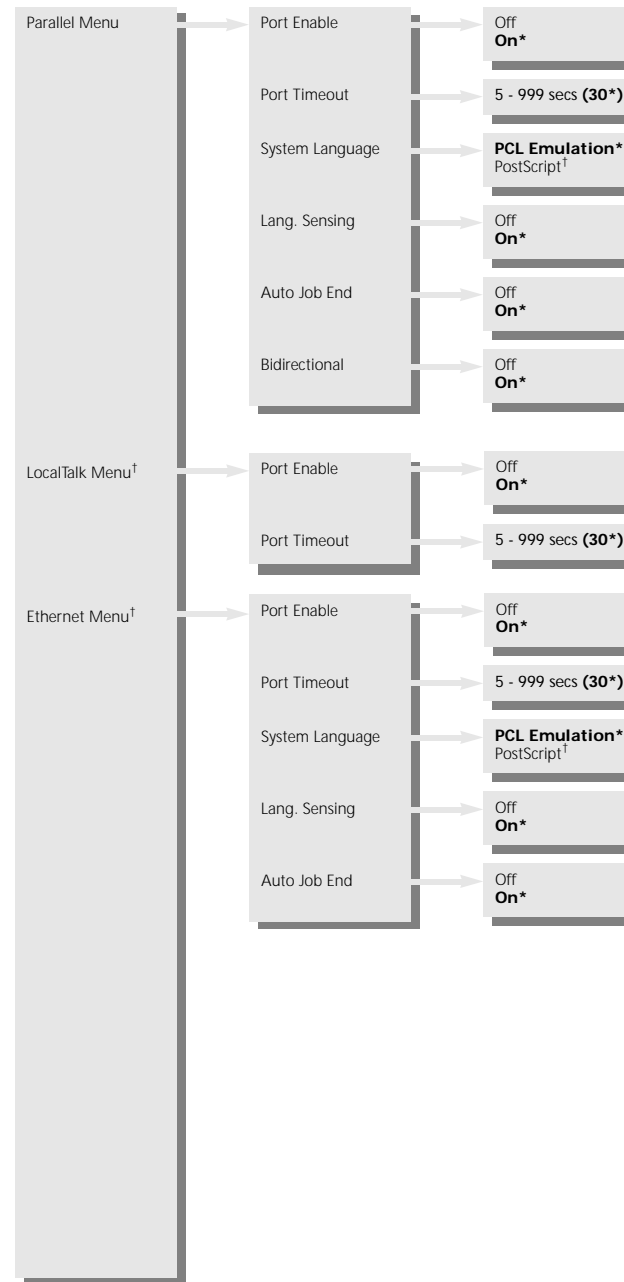
⁺⁺ Appears only with enough memory or a hard disk installed.

PostScript Menu[†]



⁺⁺ Appears only with enough memory or a hard disk installed.

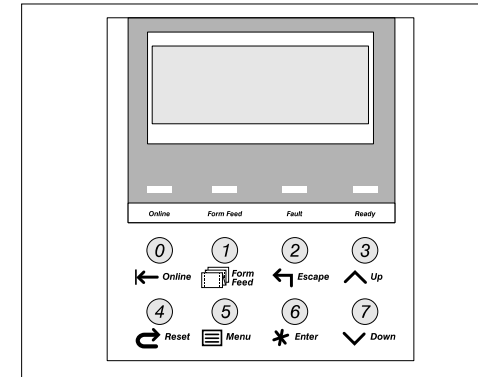
Interface Menu



LN17 and LN17ps Printers

Quick Reference Guide

Control Panel



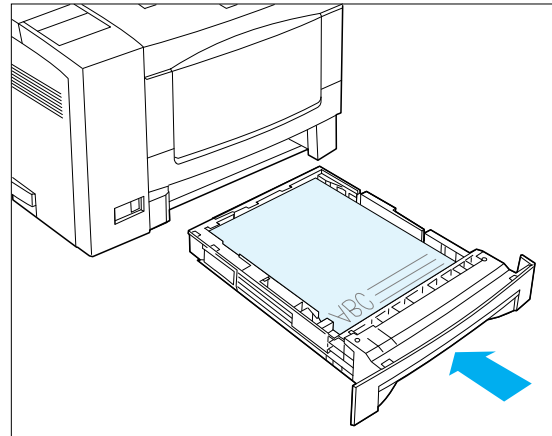
Selecting Menu Options

- 1 **Press Online** to take the printer offline.
You will see:

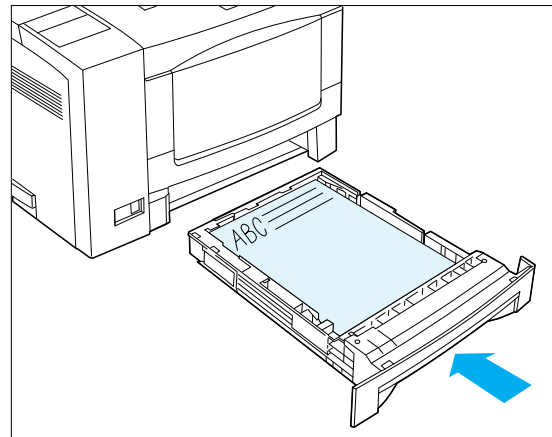
```
Offline _/_-  
Press a key...
```
- 2 **Press Menu** to access the Main Menu, or press **Reset** to access the Reset Menu.
- 3 **Press Down** to scroll forward.
Press Up to scroll back.
- 4 **Press Enter** when you see the submenu, option, or function you want.
If you selected a submenu or option you did not want, press **Esc** to return to the previous level.
- 5 **If necessary, repeat Steps 3 and 4 to reach the desired option.**
- 6 **Press Up** or **Down** to scroll through the values for an option.
Holding the key down will speed up the scrolling.
- 7 **Press Enter** to accept or invoke your change, or press **Esc** if you change your mind.
- 8 **Continue to work in the menu system,** or press **Online** to exit and return to normal operation.

Paper Orientation—Main/Lower Tray

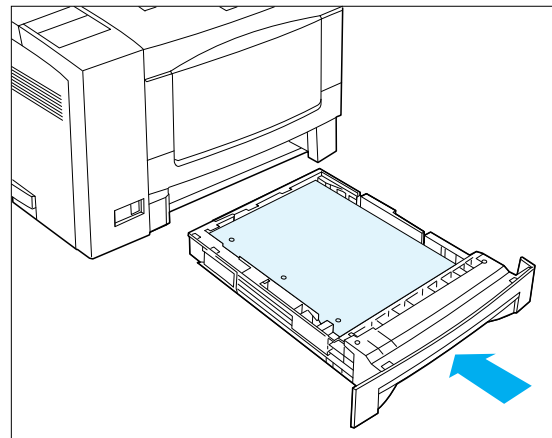
Letterhead
(Simplex)



Letterhead
(Duplex)

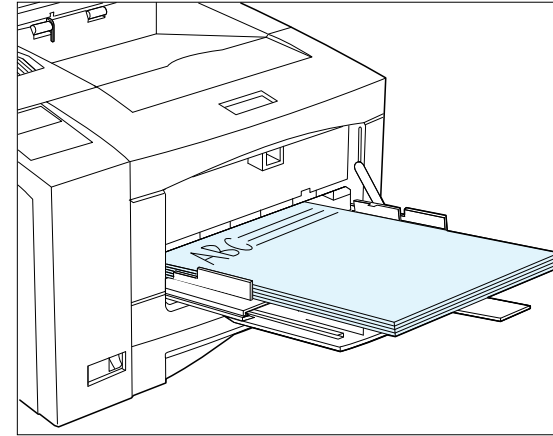


Drilled Paper
(Simplex or
Duplex)

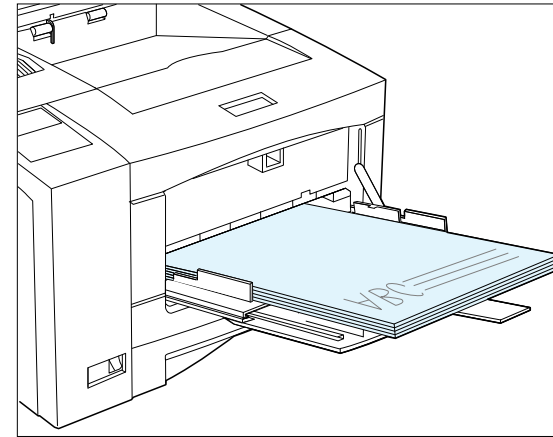


Paper Orientation—Front Tray

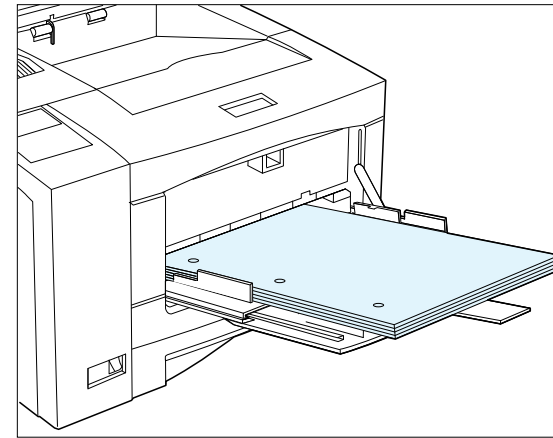
Letterhead
(Simplex)



Letterhead
(Duplex)

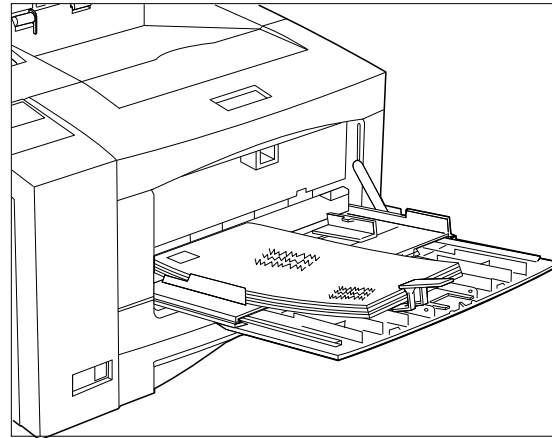


Drilled Paper
(Simplex or
Duplex)

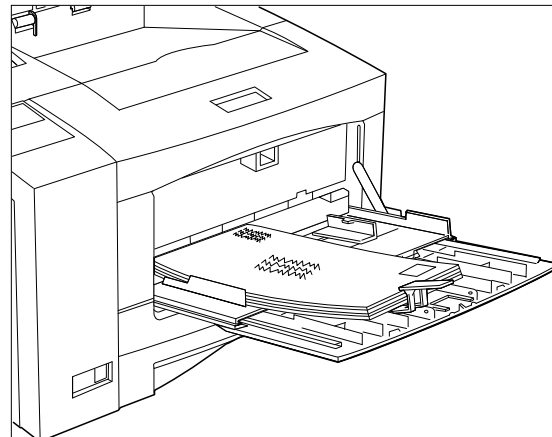


Paper Orientation—Front Tray (cont'd)

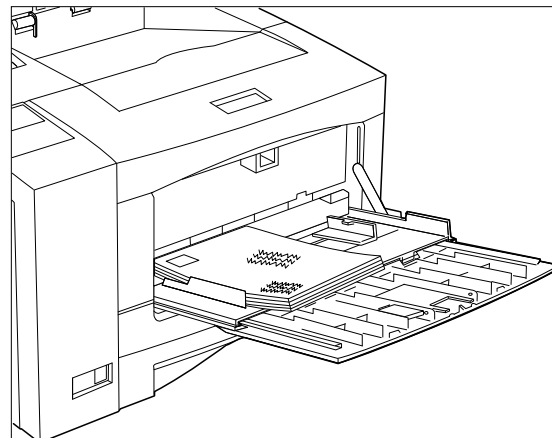
Envelopes
(PCL Jobs)



Envelopes
(PostScript Jobs)



Postcards
(PCL Jobs')



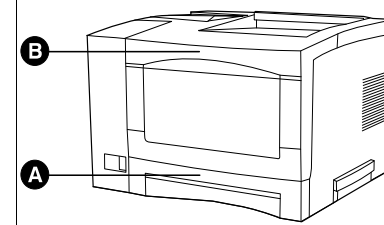
* Orientation may differ for PostScript jobs. Test your application.

Clearing Paper Jams

Main Tray Jam

Control Panel displays:
Main Tray Jam-
Open Main Tray
alternating with:

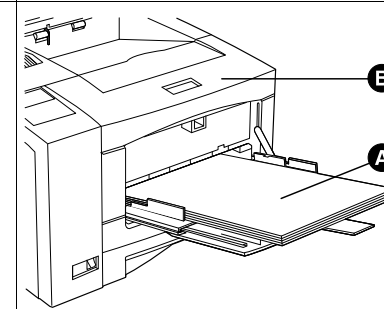
- Open Front Cover
Remove Jam Sheet
1. Remove the main tray (A).
 2. Remove the Envelope Feeder if installed.
 3. Open the front cover (B).
 4. Remove the jammed sheet.
 5. Replace the Envelope Feeder if necessary.



Front Tray Jam

Control Panel displays:
Front Tray Jam-
Remove All Paper
alternating with:

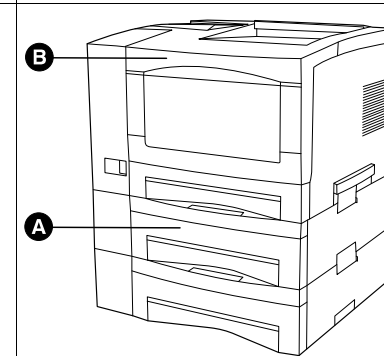
- Open Front Cover
Remove Jam Sheet
1. Remove all paper from the front tray (A).
 2. Remove the Envelope Feeder if installed.
 3. Open the front cover (B).
 4. Remove the jammed sheet.
 5. Replace the Envelope Feeder if necessary.



Lower 1 Tray Jam

Control Panel displays:
Lower1 Tray Jam-
Open Lower1 Tray
alternating with:

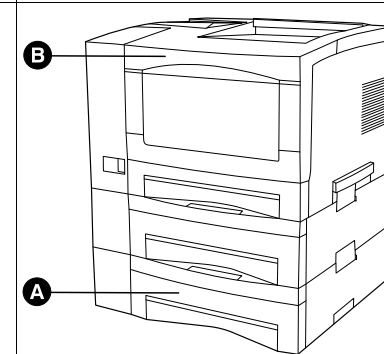
- Open Front Cover
Remove Jam Sheet
1. Remove the lower 1 tray (A).
 2. Remove the Envelope Feeder if installed.
 3. Open the front cover (B).
 4. Remove the jammed sheet.
 5. Replace the Envelope Feeder if necessary.



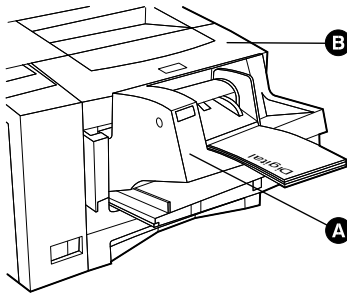
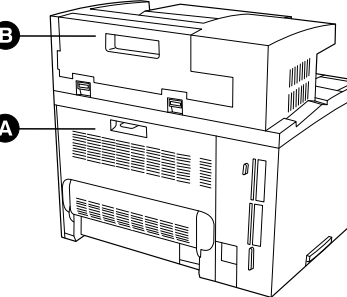
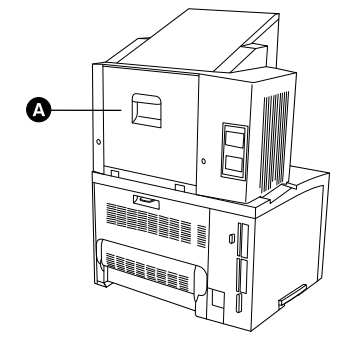
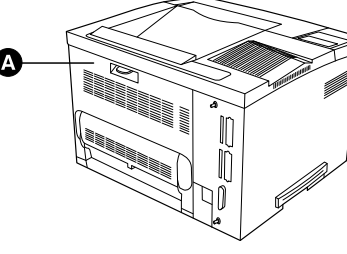
Lower 2 Tray Jam

Control Panel displays:
Lower2 Tray Jam-
Open Lower2 Tray
alternating with:

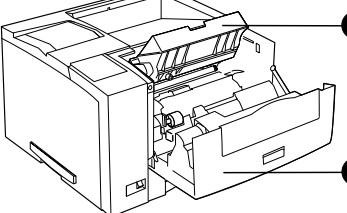
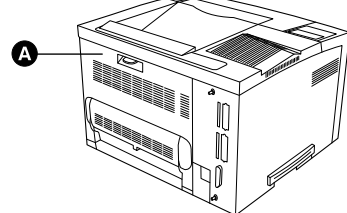
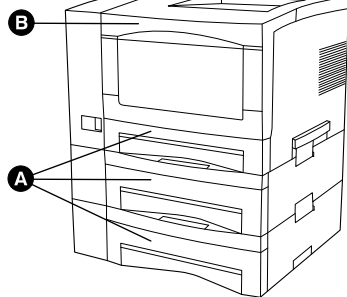
- Open Front Cover
Remove Jam Sheet
1. Remove the lower 2 tray (A).
 2. Remove the Envelope Feeder if installed.
 3. Open the front cover (B).
 4. Remove the jammed sheet.
 5. Replace the Envelope Feeder if necessary.



Clearing Paper Jams (cont'd)

<p>Envelope Feeder Jam</p> <p>Control Panel displays: EnvelFeeder Jam- Remove All Envel</p> <p>alternating with: Remove EnvFeeder Open Front Cover</p> <p>and: Remove Jam Envel</p> <ol style="list-style-type: none"> 1. Empty the Envelope Feeder (A) and remove it from the printer. 2. Open the front cover (B), remove the jammed envelope and close the cover. 3. Reinstall/reload the Envelope Feeder. 	
<p>OCT Jam</p> <p>Control Panel displays: Offset Jam- Open Rear Cover</p> <p>alternating with: Open Offset Door Clear Paper Path</p> <ol style="list-style-type: none"> 1. Open the rear cover (A). 2. Open the OCT rear cover (B). 3. Remove the jammed paper. 4. Close the OCT rear cover. 5. Close the printer rear cover. 	
<p>Mailbox/Collator Jam</p> <p>Control Panel displays: Mailbox Jam- Open Mailbx Door</p> <p>alternating with: Clear Paper Path</p> <ol style="list-style-type: none"> 1. Open the rear cover of the Mailbox/Collator (A). 2. Remove the jammed paper. 3. Close the rear cover of the Mailbox/Collator. 	
<p>Paper Exit Jam or Duplex Module Jam</p> <p>Control Panel displays: Paper Jam- Open Rear Cover</p> <p>alternating with: Remove DuplxUnit* Clear Paper Path</p> <ol style="list-style-type: none"> 1. Open the rear cover (A) and remove the jammed paper. 2. If you do not see the jammed paper, remove the Duplex Module, remove the jammed paper, then replace the Duplex Module. 3. Close the rear cover. 	 <p>* This line only appears for a Duplex Module jam.</p>

Clearing Paper Jams (cont'd)

<p>Print Cartridge Jam</p> <p>Control Panel displays: Paper Jam- Open Front Cover</p> <p>alternating with: Remove PrintCart Clear Paper Path</p> <ol style="list-style-type: none"> 1. Remove the Envelope Feeder if installed. 2. Open the front cover (A) and remove the EP cartridge (B). 3. Remove the jammed paper by pressing on the green release levers and pulling the paper out towards the rear. 4. Replace the Envelope Feeder if necessary. 	
<p>Paper Mismatch Jam</p> <p>Control Panel displays: Paper Size Jam- Open Rear Cover</p> <p>alternating with: Clear Paper Path</p> <ol style="list-style-type: none"> 1. Change the loaded paper to the correct size.* 2. Open the rear cover (A). 3. Remove the jammed paper. 	 <p>* If the problem paper was in the front tray or Envelope Feeder, check that the corresponding menus are set to the size loaded.</p>
<p>Misfeed Jam at Startup</p> <p>Control Panel displays: Tray Jam- Open All Trays</p> <p>alternating with: Open Front Cover Remove Jam Sheet</p> <ol style="list-style-type: none"> 1. Remove all trays (A). 2. Remove the Envelope Feeder if installed. 3. Open the front cover (B). 4. Remove the jammed paper. 5. Replace the Envelope Feeder if necessary. 	

Opening a Mailbox/Collator Bin

- 1 **Press the Mailbox Unlock button.**
 If there is no password enabled for the Mailbox/Collator, the bin indicator will light (it may take a few seconds). You have approximately 30 seconds to open the bin and remove your jobs.
 If there is a password enabled for the Mailbox/Collator, the Control Panel will prompt you to enter your password.
- 2 **Using the Control Panel keypad, enter your four-digit password.**
 You will see your password display on the Control Panel as you enter it.
 When the bin indicator lights, you have approximately 30 seconds to open the bin and remove the output.