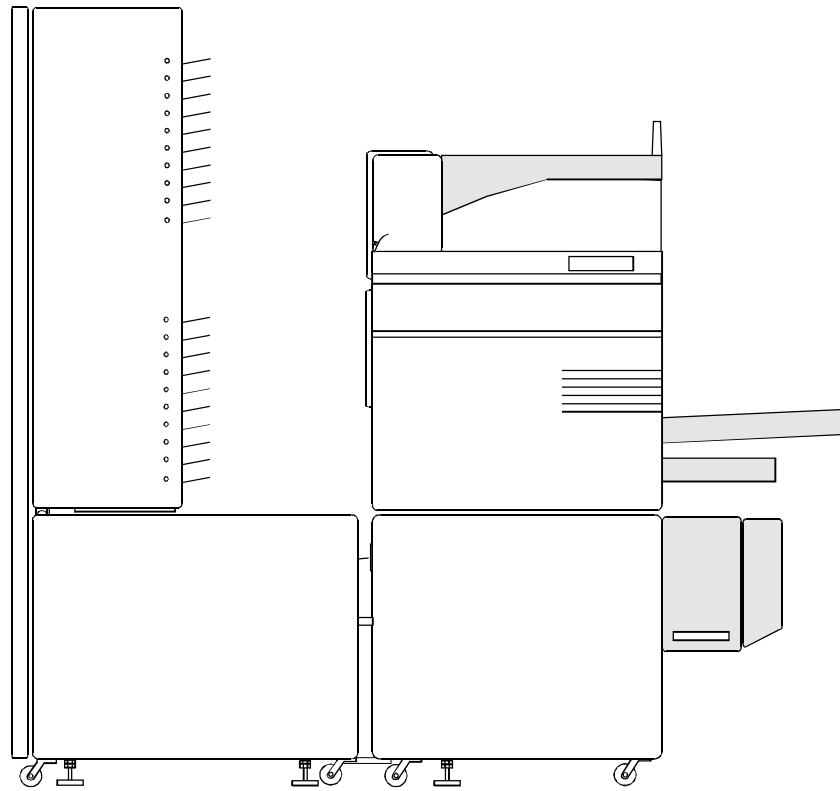


# PrintServer 32

---

## MailBox Installation Guide

EK-PRTOP-IN. A01



**First Edition, July 1993**

The information in this document is subject to change without notice and should not be construed as a commitment by Digital Equipment Corporation. Digital Equipment Corporation assumes no responsibility for any errors that may appear in this document.

No responsibility is assumed for the use or reliability of software on equipment that is not supplied by Digital Equipment Corporation or its affiliated companies. Restricted Rights: Use, duplication, or disclosure by the U.S. Government is subject to restrictions as set forth in subparagraph (c) (1) (ii) of the Rights in Technical Data and Computer Software clause at DFARS 252.227-7013. © Digital Equipment Corporation 1993. All Rights Reserved.

The following are trademarks of Digital Equipment Corporation: PrintServer, VAX, VMS, and the Digital logo.

All other trademarks and registered trademarks are the property of their respective holders.

**FCC NOTE:**

This equipment has been tested and found to comply with the limits for a class A digital device, pursuant to part 15 of the FCC rules. These limits are designed to provide reasonable protection against harmful interference when the equipment is operated in a commercial environment. This equipment generates, uses, and can radiate radio frequency energy and, if not installed and used in accordance with the instruction manual, may cause harmful interference to radio communications. Operation of this equipment in a residential area is likely to cause harmful interference in which case the user will be required to correct the interference at his own expense.

**German Acoustic Notice:**

Acoustics — Preliminary declared values per ISO 9296 and ISO 7779:

	LwAd, B	LpAm, dBA (bystander positions)
Idle	6.3 bels	53 dBA
Operating	6.6 bels	55 dBA

**Note**

Current values for specific configurations are available from Digital representatives.  
1 bel = 10 dBA.

Schallemissionswerte — Vorl\_ufige Werteangaben nach ISO 9296 und ISO 7779/DIN EN27779:

	Schalleistungspegel LwAd, B	Schalldruckpegel LpAm, dBA (Zuschauerpositionen)
Leerlauf	6,3 bels	53 dBA
Betrieb	6,6 bels	55 dBA

**Hinweis**

Aktuelle Werte fnr spezielle Ausrnstungsstufen sind nber die Digital Equipment Vertretungen erh\_Itlich. 1 bel = 10 dBA.

This guide provides step by step procedures for installing the MailBox.

## Requirements

Be sure your operating environment meets the following hardware requirements:

- Installed supplementary kit (comes with the MailBox and its own installation instructions)
- Installed and correctly operating PrintServer 32 with duplexer
- Adequate spacing around the perimeter of the printer and the MailBox
- Power outlet
  - Located 1.5 meters (4.9 feet) from the rear bottom side of the MailBox
  - Minimum 10 A circuit for 230 V units
  - Minimum 20 A circuit for 115 V units

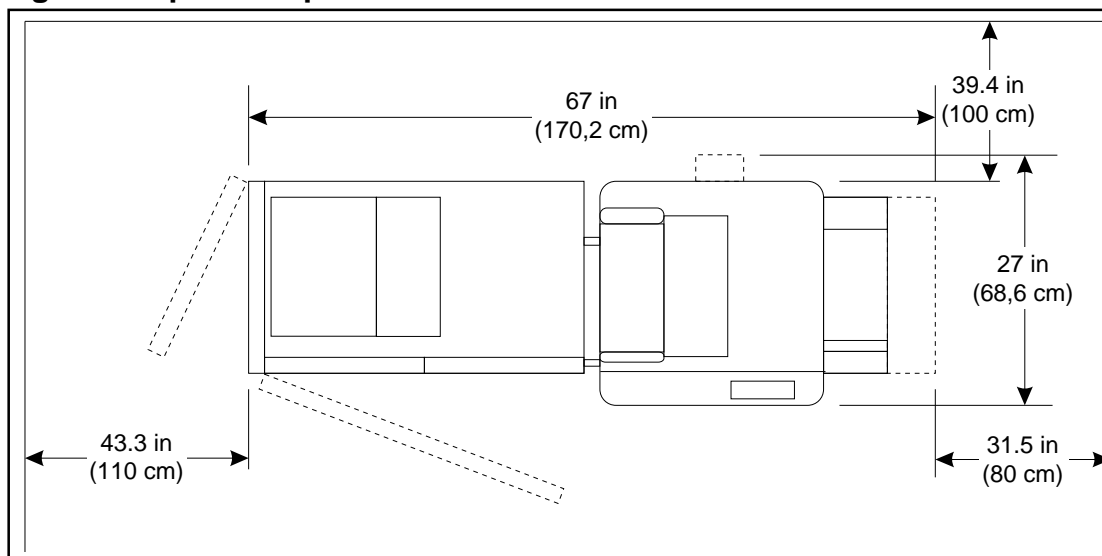
## Caution

When installing or servicing the MailBox and printer, power off both units. Disconnect the power plug from the power input on the rear side of the MailBox.

Be sure your operating environment meets the following software requirements:

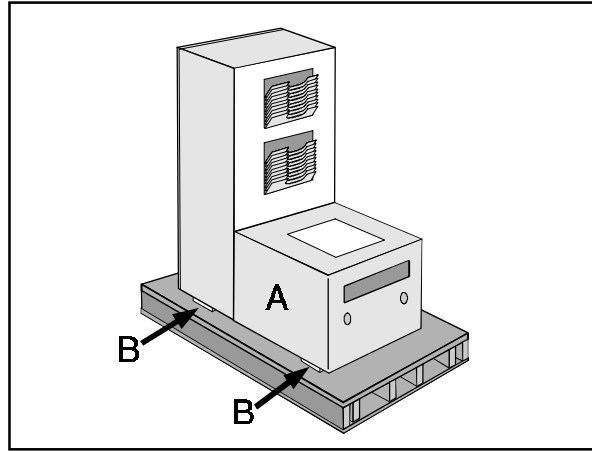
- Client software (choose as many as required for direct printing):
  - DECprint Supervisor for OpenVMS, V1.0
  - PrintServer Software for SPARC Systems, V4.2
  - PrintServer Software for HP-UX Systems, V4.2
  - PrintServer Software for IBM-AIX Systems, V4.2
  - PrintServer Software for SCO-UNIX Systems, V4.2
  - PrintServer Software for NetWare Systems, V4.2
  - PrintServer Software for OSF/1 AXP Systems, V4.2
  - PrintServer Source Kit for BSD-UNIX, V4.2
- Supporting Host Software (choose only one for booting):
  - DEC PrintServer Supporting Host Software for VMS, V4.2
  - DEC PrintServer Supporting Host Software for ULTRIX, V4.2
  - PrintServer Software for SPARC Systems, V4.2
  - PrintServer Software for HP-UX Systems, V4.2
  - PrintServer Software for IBM-AIX Systems, V4.2
  - PrintServer Software for SCO-UNIX Systems, V4.2
  - PrintServer Software for OSF/1 AXP Systems, V4.2
  - PrintServer Source Kit for BSD-UNIX, V4.2

**Figure 1: Space Requirements**

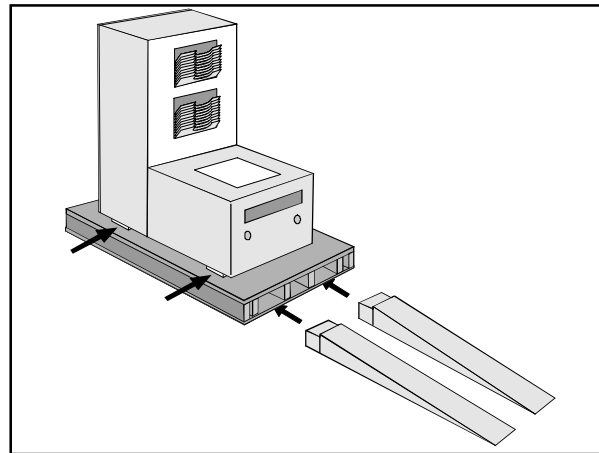


## Unpacking the MailBox

1. Remove the packaging.
2. Remove all transportation locks.
3. Open the front door (A) of the MailBox and use a wrench to unscrew the four transit bolts (B -- two on each side) beneath the MailBox. Discard the two metal shipping bars.



4. Insert the ramp into the pallet as shown.
5. Check that the ramp is securely in place.
6. Two people must carefully push the MailBox off the wooden supports and slowly roll it down the ramp and onto the floor.



### Caution

Before mechanical attachment to the PrintServer, handle the MailBox with care to avoid tipping it over.

## Inventory

Verify that you received the following items:

- Supplementary kit with instructions (this kit must be installed first)
- MailBox
- Mounting bar and two bolts for the printer
- Paper output deflector set for the printer
- Documentation

### Note

Do not dispose of shipping material until proper performance has been determined. If a warranty claim is needed, the entire unit must be returned in the original packaging material to prevent any transport damage.

## Installation

This section describes how to install the MailBox.

### Installing the Mounting Bar to the Printer's Cabinet

1. Make sure the supplementary kit was installed.

#### Note

The duplexer has to be removed to install the bar. The duplexer must be reinstalled after the bar is installed.

2. Align the mounting bar with the two holes in the left-hand side of the table and inside brackets. See Figures A, B, C.

Figure A

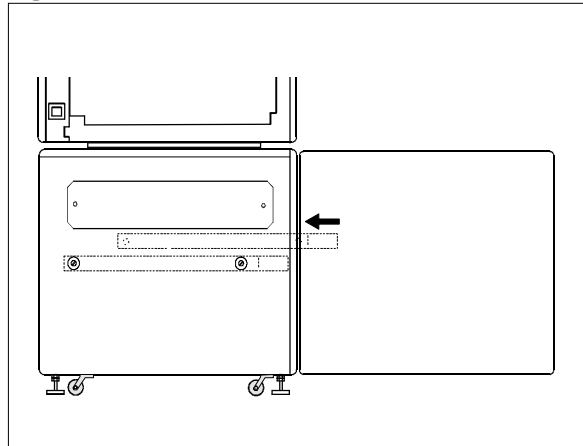
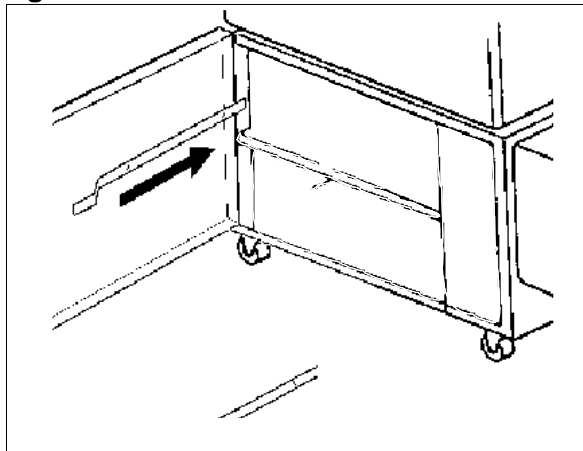
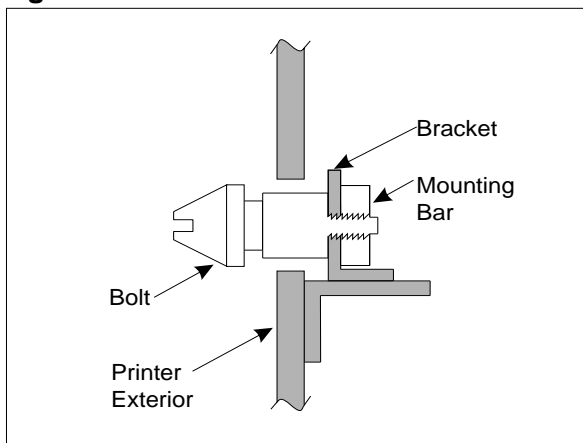


Figure B



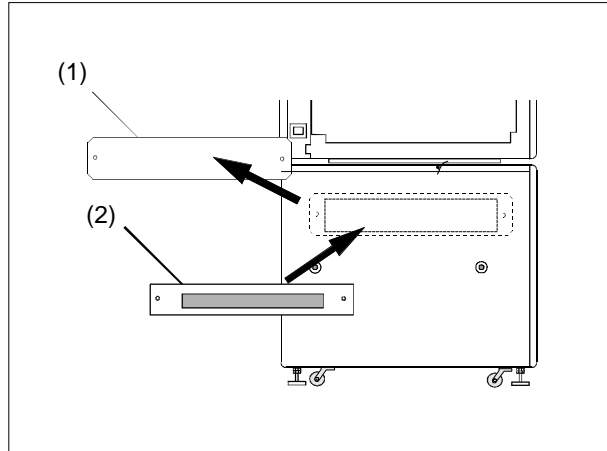
3. Secure the bar to the inside brackets using the two bolts (Figure C).
4. Close the table housing door.

Figure C



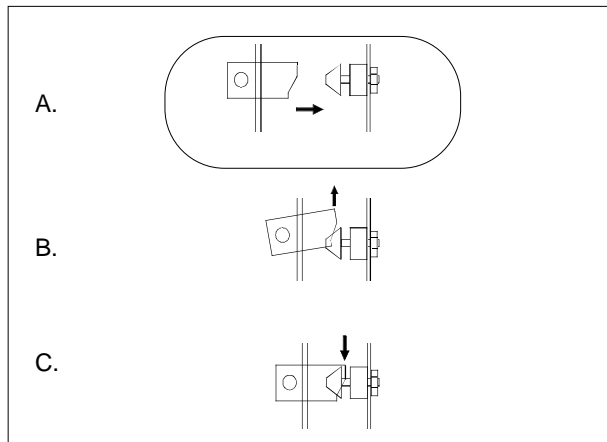
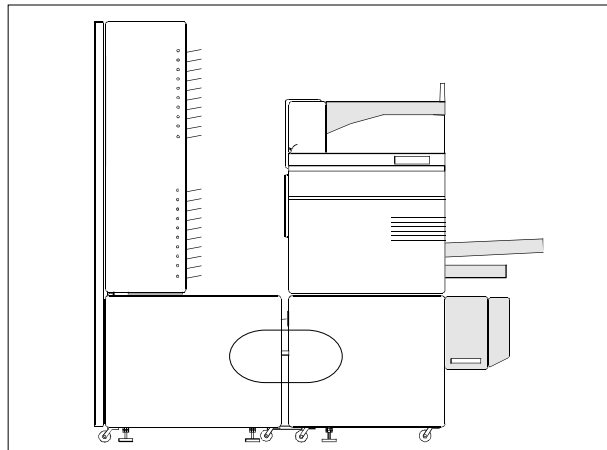
## Installing the Paper Output Deflector

1. Remove the two screws that hold the cover plate (1) to the printer table.  
Discard the cover plate but save the screws as they will be used in the next step.
2. Attach the paper output deflector (2).  
The plastic surface must be facing up.  
The metal tab must go into the printer and be attached to the printer using the same screws that held the cover plate.



## Connecting the MailBox to the Printer

1. Position the MailBox and the printer together.
2. Ensure the MailBox latch lever is fully engaged with the printer bolts (A, B, C).



### Caution

If you need to remove the duplexer from the printer table, you must first remove the MailBox then the paper output deflector.

## Adjusting the MailBox Height

For paper to pass properly from the printer to the MailBox, the horizontal transport of the MailBox must be level with the paper output area of the printer. To test this, do the following:

Open the printer's side door and insert a sheet of paper into the printer's output channel. The paper should pass through smoothly. If it does not, make adjustments to the MailBox and repeat the paper test.

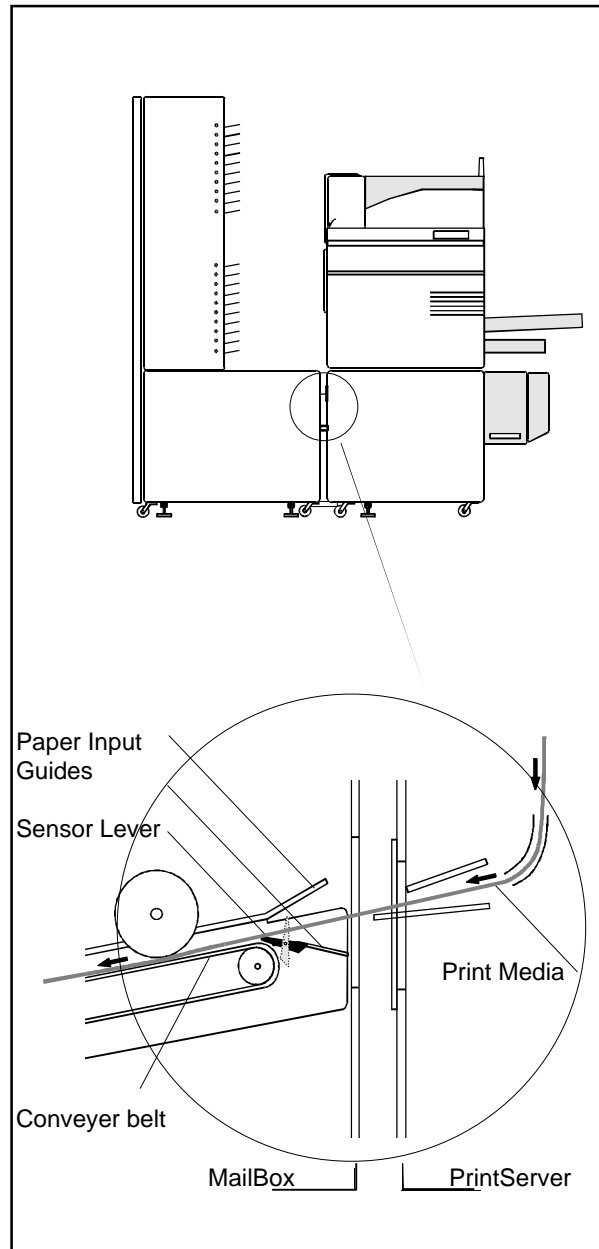
### Note

The gap between the printer and the MailBox must be equal to within 1/8 inch measured at the top and at the bottom. If adjustments are needed, adjust the MailBox by using its levelling feet.

- If the paper passes between the upper and lower paper input guides of the MailBox freely, no height adjustments are required for the MailBox. You can then lower the four levelling feet of the MailBox until it rests firmly on them and cannot roll.
- If the paper does not reach the middle of the paper input guides of the MailBox, you must adjust the height of the MailBox by lowering or raising its levelling feet.

### Caution

Incorrect height adjustment will cause paper jams at the entrance to the MailBox at the horizontal transport area.

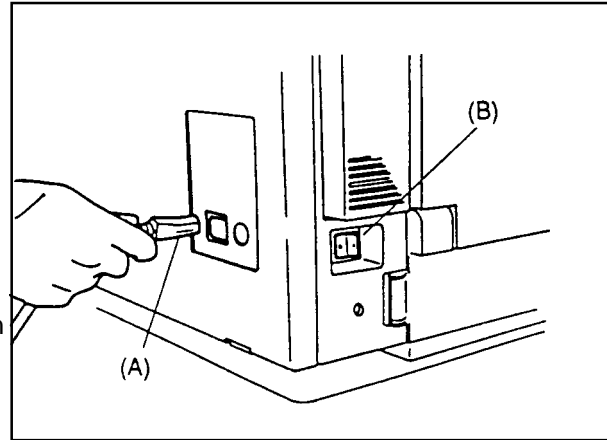


## Cabling the MailBox to the Printer

This procedure describes how to connect the MailBox and the printer cables.

1. Make sure the printer power switch (Figure 1 (B)) is OFF. Disconnect the power cord from the wall outlet.
2. Disconnect the printer power cable from the printer AC input (Figure 1(A)).
3. Connect the MailBox power cable female plug to the power input of the printer power plug (Figure 2 (G)).
4. Connect the MailBox data line cable (9-pin D-sub) to the printer auxiliary data line input (Figure 2 (C)).
5. Plug the female end of the power cord into the AC inlet (Figure 2 (D)) of the MailBox and the male end into the wall outlet.
6. Turn the printer power switch to ON (Figure 1 (B)).
7. Turn the MailBox power switch to ON (Figure 2 (F)).

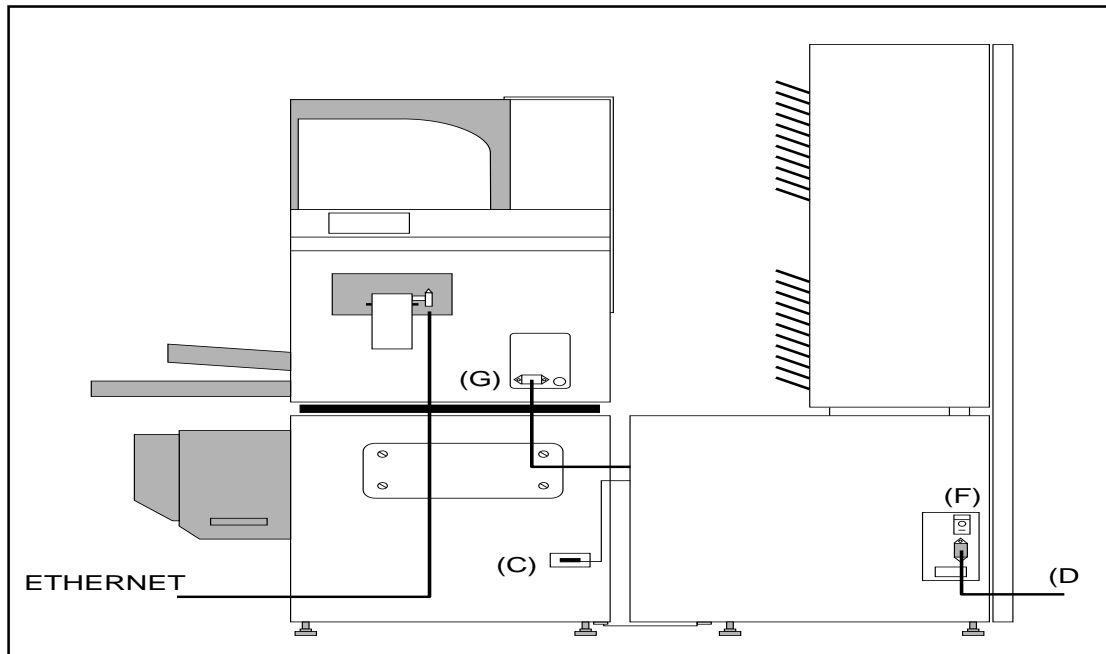
**Figure 1**



### Note

The MailBox power switch will now control the power for both the printer and the MailBox together.

**Figure 2**





## Verifying the Paper Path

To check the paper path from the printer to a specific MailBox bin, do the following:

### Note

This procedure prints a test page and delivers it to the selected bin.

From the PrintServer 32's operator panel:

- Be sure the operator panel reads: Ready
- Press the Pause [1] key.
- Press the Test Setup [6] key.
  - o The LEDs show the default setting
  - o The LCD displays: One-sided test page
- Press the Active Jobs [2] key.
  - o The LED shows the selected input tray. Continue pressing the [2] key to select the proper input tray.

### Remember

The selected input tray **MUST** be holding a supported paper size for the printer to print the job and send it to the MailBox. If the selected input tray does not hold supported paper, the printer will not print.

- Press the Supplies Needed [3] key.
  - o The LED shows the selected output tray. Continue pressing the [3] key to select the proper output tray/MailBox bin. The LEDs cycle through all the output choices. The LCD displays individually the number of each of the 20 bins in the MailBox.

### Note

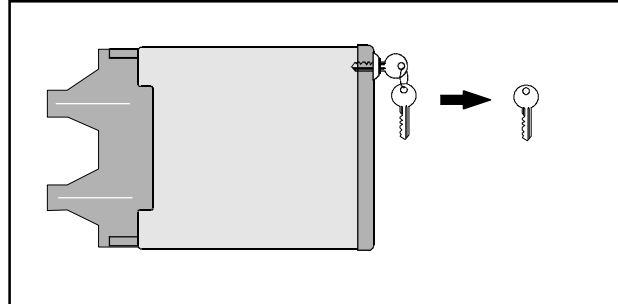
If the bin numbers do not appear on the LCD display, the MailBox is not recognized by the PrintServer. Check the MailBox installation.

- Press the Test [5] key.
  - o The test page prints and is delivered to the selected output area.

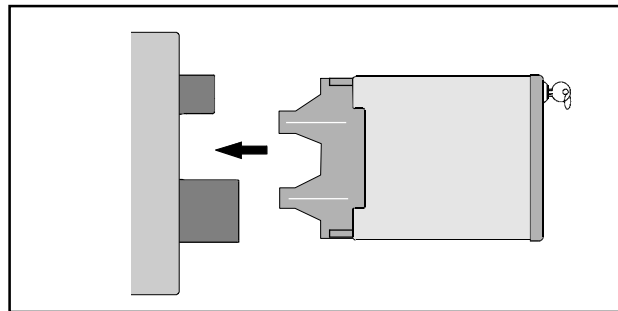
## Lockable Bin Option Installation

This procedure shows how to install the bin that provides user confidentiality for printouts.

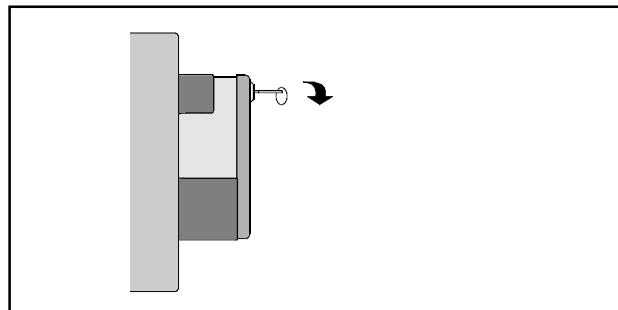
1. Remove the spare key from the lockable bin and put it in a safe place.



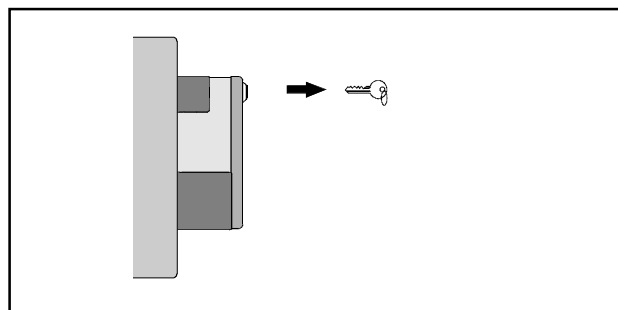
2. Insert the bin into the desired output tray slot of the MailBox.



3. To lock the bin, turn the key to the left. The lock should turn easily. If not, adjust the bin and lock it.



4. Remove the key. Using the lockable bin option diminishes the holding capacity of the output tray.



5. To retrieve printouts: unlock the bin and pull it out, remove all the sheets, insert and lock the bin.

### Caution

Only insert an empty lockable bin. Paper jams will occur if the lockable bin is not empty.

## Technical Data

### Paper Size Supported (portrait mode only)

Paper Size Code	Paper Selector Reading	Paper Size (inches)	Paper Size (mm)
Letter	8.5x11R	8.5 x 11	216 x 280
U.S. Legal	8.5x14	8.5 x 14	216 x 356
A4	A4R	8.3 x 11.7	210 x 297
B5	B5R	7.2 x 10.1	182 x 257

### Operating Environment

- Temperature: 10° to 32°C
- Humidity: 20% to 80% RH, non-condensing

### Print Material Supported

- Paper 18 to 24 lb (68 to 90 g/m<sup>2</sup>)

### Power Outlet Requirements

- 230 V~, 50Hz; 10 A
- 115 V~, 60Hz; 20 A

### Paper Bin Capacity

- 160 sheets (80 g/m<sup>2</sup>) approximately
- 130 sheets (80 g/m<sup>2</sup>) approximately with the lockable bin