

# FIBRE CHANNEL HUB, 12-PORT UNIVERSAL MOUNTING KIT

Installation Card

*Open Card Completely Before  
Beginning Installation Procedures*

## European Union Notice

Products with the CE Marking comply with both the EMC Directive (89/336/EEC) and the Low Voltage Directive (73/23 EEC) issued by the Commission of the European Community. Compliance with these directives implies conformity to the following European Norms (in brackets are the equivalent international standards):

- EN 55022 (CISPR 22) *Electromagnetic Interference*
- EN 50082-1 (IEC 801-2, IEC 801-3, IEC 801-4) 22) *Electromagnetic Immunity*
- EN 60950 (IEC 950) *Product Safety*

## NOTICE

The information in this document is subject to change without notice. COMPAQ COMPUTER CORPORATION SHALL NOT BE LIABLE FOR TECHNICAL OR EDITORIAL ERRORS OR OMISSIONS CONTAINED HEREIN, NOR FOR INCIDENTAL OR CONSEQUENTIAL DAMAGES RESULTING FROM THE FURNISHING, PERFORMANCE, OR USE OF THIS MATERIAL. THIS INFORMATION IS PROVIDED "AS IS" AND COMPAQ COMPUTER CORPORATION DISCLAIMS ANY WARRANTIES, EXPRESS, IMPLIED, OR STATUTORY AND EXPRESSLY DISCLAIMS THE IMPLIED WARRANTIES OF MERCHANTABILITY, FITNESS FOR PARTICULAR PURPOSE, GOOD TITLE AND AGAINST INFRINGEMENT.

This publication contains information protected by copyright. No part of this publication may be photocopied or reproduced in any form without prior written consent from Compaq Computer Corporation.

©1999 Compaq Computer Corporation.  
All rights reserved. Printed in the U.S.A.

Compaq and the COMPAQ STORAGEWORKS logo registered U.S. Patent and Trademark Office.

FIBRE CHANNEL HUB, 12-PORT UNIVERSAL MOUNTING KIT

First Edition (February 1999)  
Part Number 120292-001  
EK-GGBAA-IC. A01

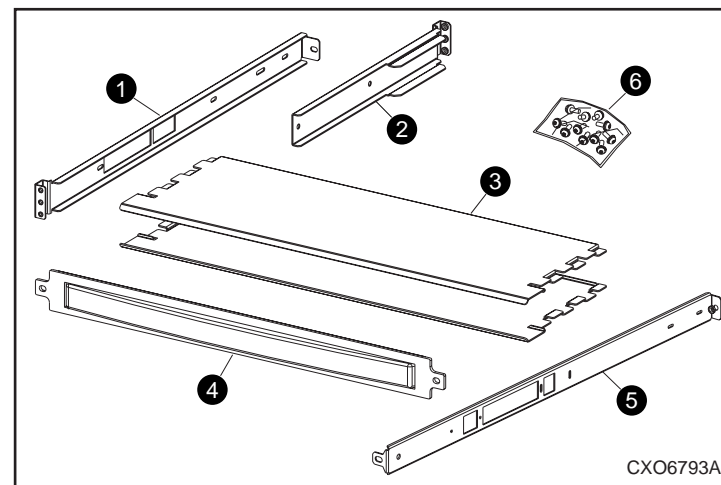
Compaq Computer Corporation

## About This Card

This card identifies the contents of the universal mounting kit and provides procedures for mounting a Fibre Channel (FC) 12-Port Hub (295573-B21/DS-DHGGB-AA) into the following Compaq racks:

- RETMA 41U or 42U
- Compaq Classic
- Metric SW600

## Kit Contents



**NOTE:** This kit contains parts for various rack installations. Not all kit parts are needed for all rack installations.

- ❶ Mounting brackets (2)
- ❷ Extender brackets (2)
- ❸ Air baffles (2)
- ❹ Faceplate
- ❺ Slide brackets (2)
- ❻ Bag of miscellaneous hardware:
  - Snap-on cable ties (2)
  - Clip nuts (4)
  - Alignment washers (8)
  - M3 x 0.5 x 8 mm SEMS screws (6)
  - Pan head SEMS screws, 10-32 x 5/8 in (18)

## Tools Required

- No. 1 Phillips screwdriver
- No. 2 Phillips screwdriver

## Installation Process Orientation

Current or planned configuration of rack components determines which installation process orientation to follow. Key consideration is how cables are routed—at the rack front or rear. General rack configuration guidelines include:

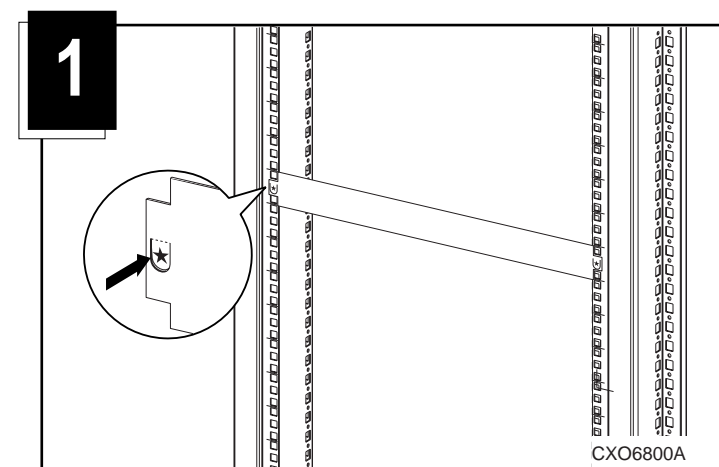
- For RETMA 41U and metric SW600 racks, follow procedures as oriented from the *rack-front*.
- For RETMA 42U and Compaq Classic racks, either orientation—*rack-front* or *rack-rear*—configuration is possible. Install as desired.

## Beginning the Installation Process

Determine the 1U installation location within the rack using the rack-mounting template shipped with the 12-port hub.

**IMPORTANT:** Ensure that the template-front and back are used according to the desired installation orientation. In *rack-front* installations, the template-front is used at the rack-front and template-back is used at the rack-rear. In *rack-rear* installations, the template-front is used at the rack-rear and template-back is used at the rack-front.

1. Position the template-front on the vertical rails to match the template hole pattern to the rail holes.



2. Pencil mark the front mounting bracket holes with an M.
3. Position the template-back on the rack-rear vertical rails, aligning the template parallel with the rack-front pencil markings.
4. Pencil mark the rear mounting bracket holes with an M.

## Attaching the Mounting Brackets

Attach two mounting brackets.

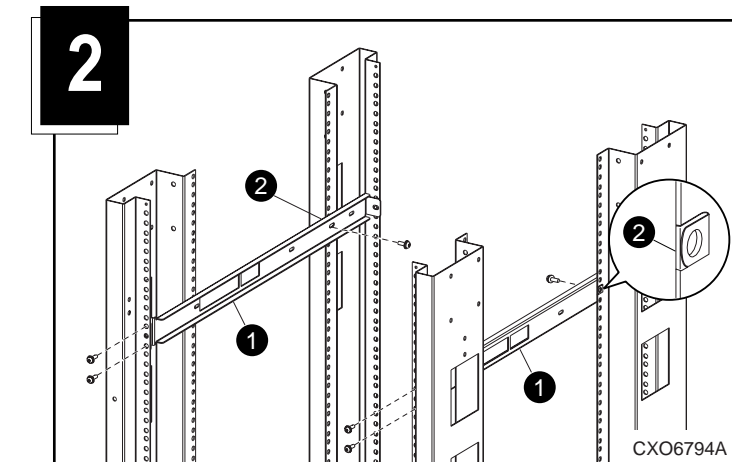
**WARNING:** To reduce the risk of personal injury or equipment damage during installation, never extend multiple components installed in the rack at the same time. A rack might become unstable if more than one component is extended for any reason.

For RETMA 41U racks:

1. Position each mounting bracket ❶ with the rail holes pencil marked M.

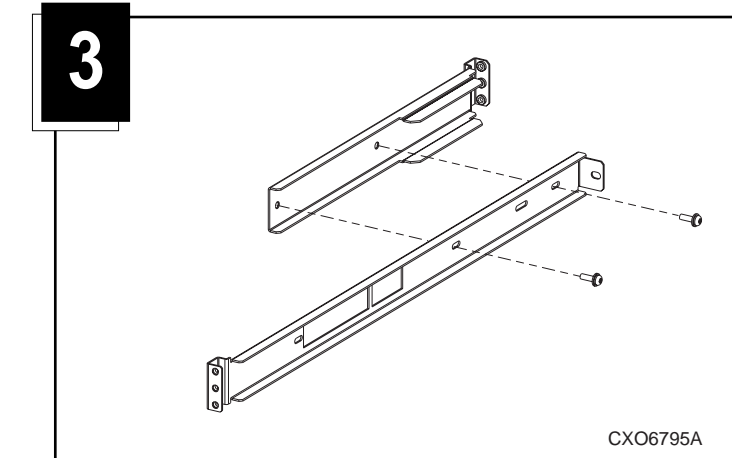
**IMPORTANT:** Finger-tighten all three mounting bracket screws to facilitate alignment. Then secure screws in the top and bottom mounting bracket holes prior to securing the single screw at the rear of the bracket. Ensure the mounting bracket is parallel in the rack from front to back.

2. Install a clip nut ❷ and secure using pan head SEMS screws (10-32 x 5/8 in).

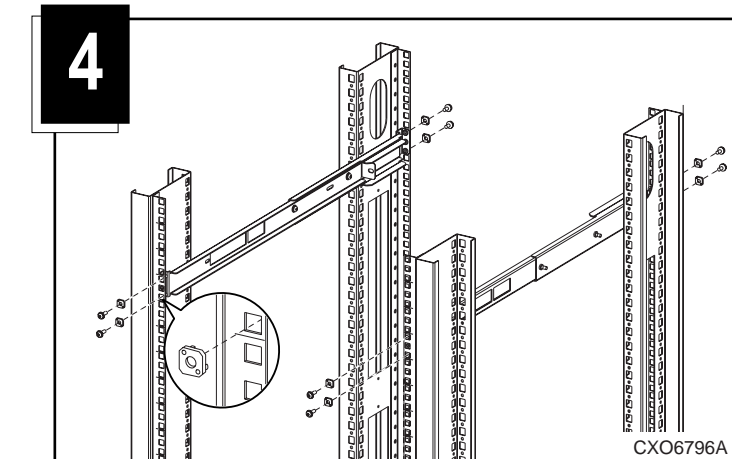


For RETMA 42U and Compaq Classic racks:

1. Connect an extender bracket to each mounting bracket by finger tightening two pan head SEMS screws (10-32 x 5/8 in).



2. Install an alignment washer into all rail holes (8) pencil marked M.
3. Position each mounting bracket to align with the alignment washers and secure using pan head SEMS screws (10-32 x 5/8 in).

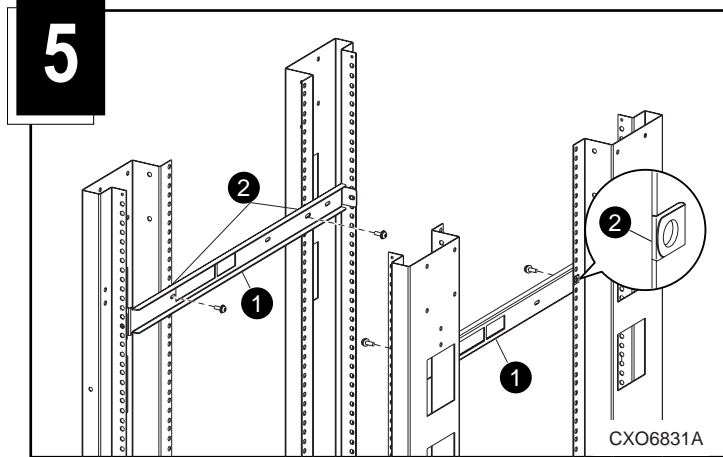


4. Fully tighten the four screws installed in step 1 using figure 3.

**IMPORTANT:** To establish full strength of the extended bracket, ensure that screws bonding the mounting bracket and extender bracket are fully tightened prior to proceeding.

For metric racks:

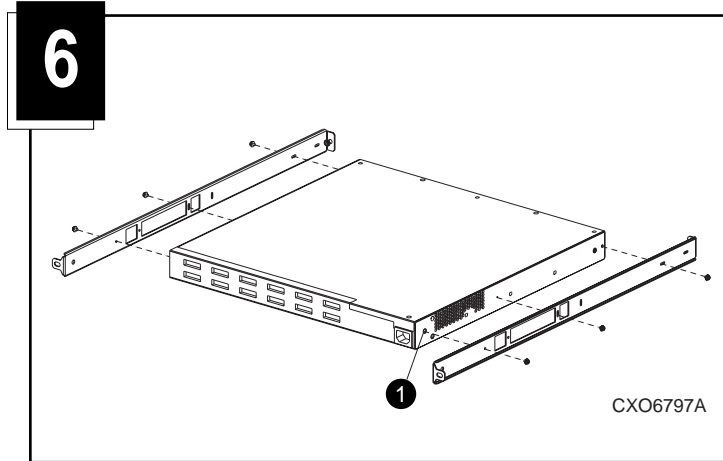
1. Position each mounting bracket ❶ with the rail holes pencil marked M.
2. Identify clip nut ❷ mounting holes and install two clip nuts for each mounting bracket.
3. Secure each mounting bracket using pan head SEMS screws (10-32 x 5/8 in).



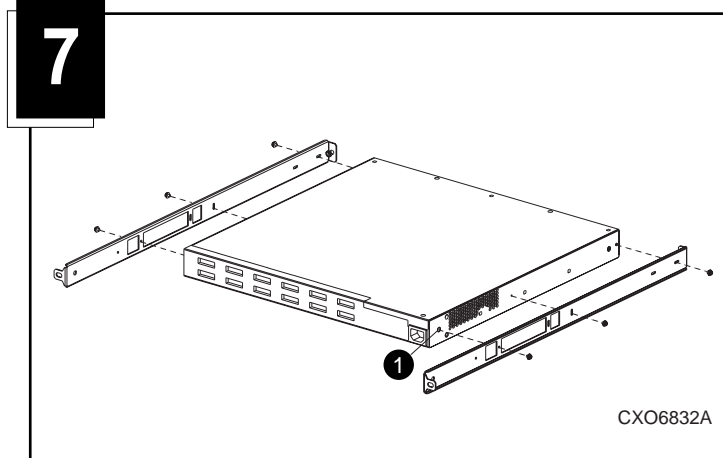
### Attaching the Slide Brackets

Remove one existing screw ❶ from each side of the hub and secure slide brackets using M3 x 0.5 x 8 mm SEMS screws.

- For rack-front installations:



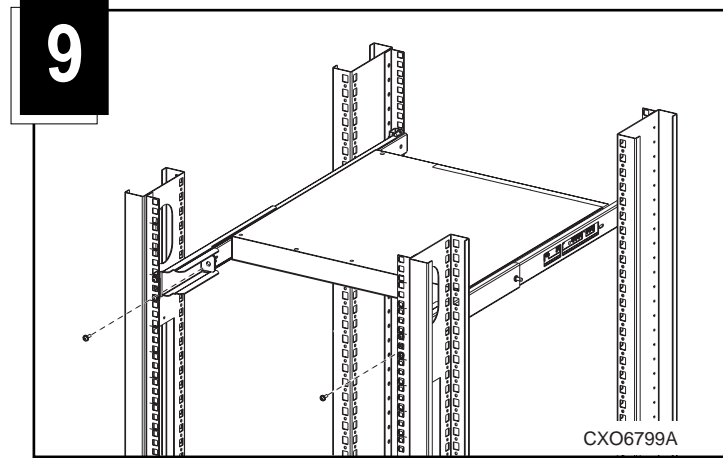
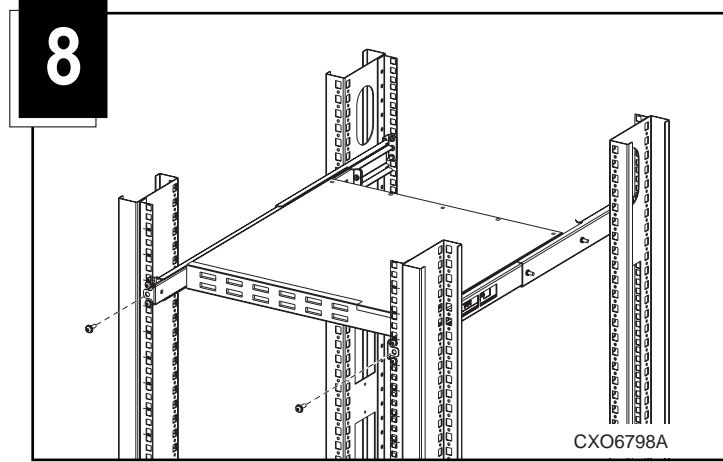
- For rack-rear installations:



### Installing the Hub into the Rack

**CAUTION:** Keep the hub parallel to the floor while sliding the slide brackets into the mounting brackets. Tilting the hub up or down might result in damage to the brackets.

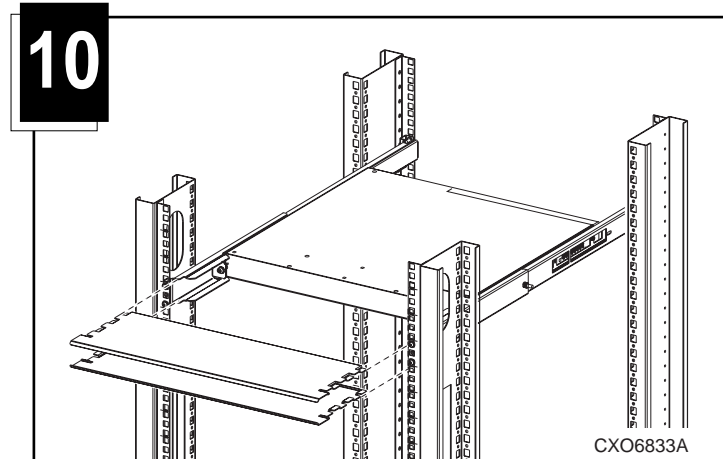
Insert the hub slide brackets into the rack mounting brackets until fully seated and secure the front and rear using pan head SEMS screws (10-32 x 5/8 in).



### Installing the Air Baffles

Air baffles are provided for RETMA 42U and Compaq Classic racks where installations are conducted from the rack-rear.

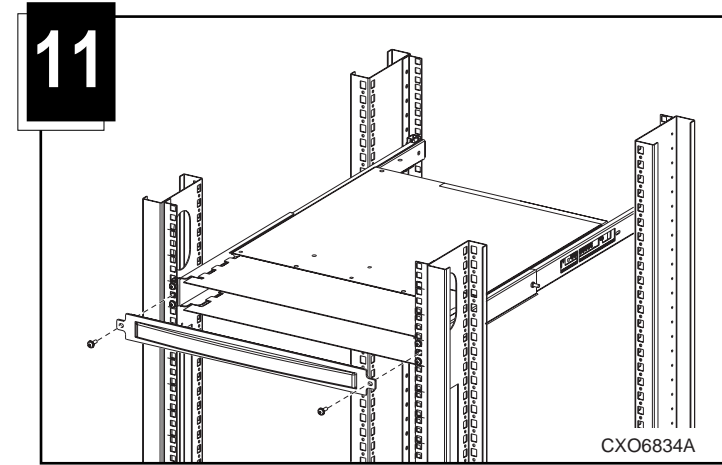
Install the air baffles from the rack-front.



### Installing the Faceplate

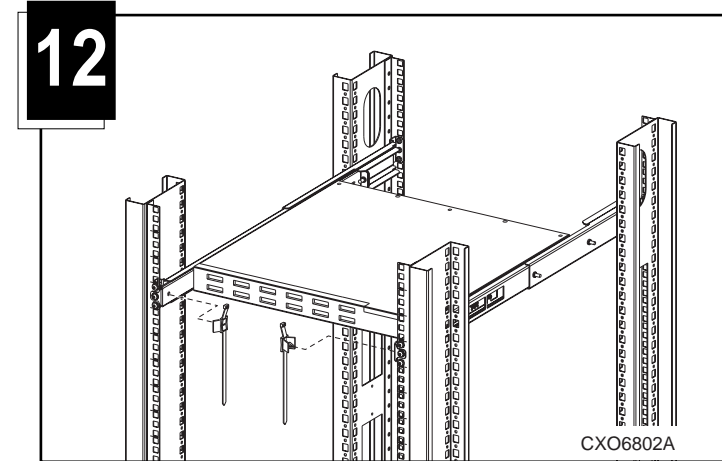
A faceplate is provided for RETMA 42U and Compaq Classic racks where installations are conducted from the rack-rear. The faceplate is for cosmetic reasons.

Secure the faceplate in the rack-front using pan head SEMS screws (10-32 x 5/8 in).



### Routing Power and Data Cables

Install a snap-on cable tie into each slide bracket, as desired, and route the power cables downward along the rack vertical rail. Route data cables based upon current or planned rack configuration.



*This completes the hardware installation.*