

Write-Back Cache Module Battery Installation Instructions

Follow these instructions to install the write-back cache module batteries included in this kit.

Tools Required

ESD strap, nonconductive ESD mat

Warning

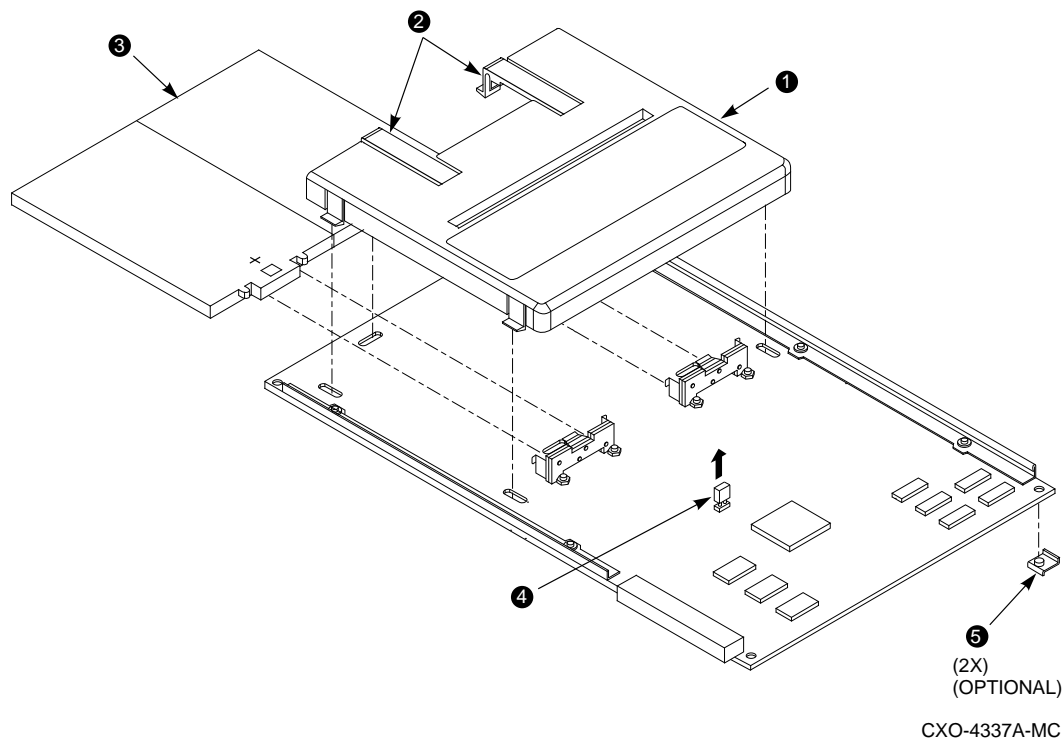
The write-back cache batteries are high energy devices. Do not allow the battery contacts to touch any conductive surface, or injury and/or equipment damage may result. In addition, do not place the cache module on any conductive surface after the batteries are installed.

Use an ESD strap to ground yourself before installing the write-back cache module batteries or handling the cache module.

The batteries add weight to the module. Grasp the module by the battery end whenever you handle a module with batteries installed.

Installation

1. Snap the plastic battery bracket ❶ into the slots on the cache module.



2. Disengage and gently lift the extended snaps ❷ on the plastic battery bracket and slide the batteries ❸, positive (+) side up, straight into the module.

3. Press the batteries firmly into the module so they are seated and the extended snaps close easily around the batteries.

If you accidentally install a battery upside down, you will not be able to firmly seat the battery or close the extended snap.

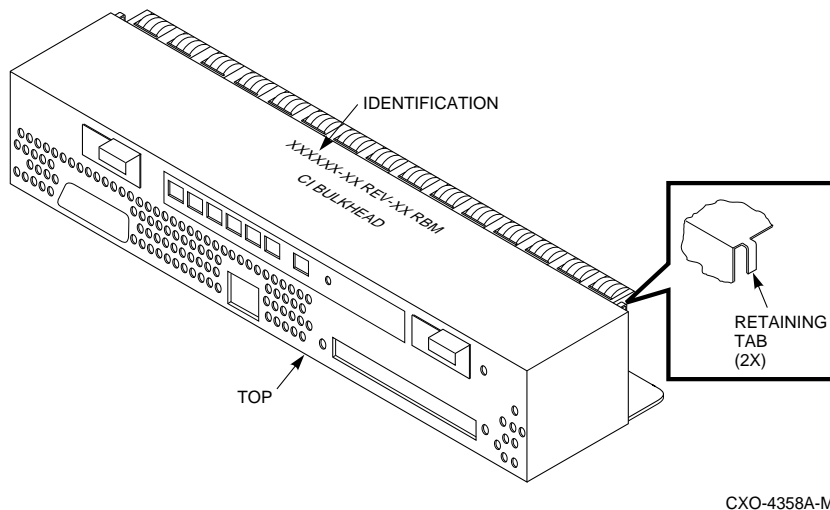
4. Remove the jumper ❹ on the component side of the module.

Replace the jumper on its contact pins so that only one pin is covered. With the jumper now "sidestepped," you will not lose the jumper.

Note

Replace the jumper so that it covers both pins if you need to return the module for service. When the jumper covers both pins, it disables the batteries and keeps them from discharging.

5. (HSJ-series controllers only) If you have a newer HSJ-series controller, the bulkhead will have an identification stamp or label and retaining tabs as shown below:



CXO-4358A-MC

If you have an earlier controller (without identification or retaining tabs) you must snap the two retaining clips ❺ to the outer corners of the cache module (on the edge furthest from the connector edge). The clips hold the module tightly in its slot and keep the weight of the batteries from dislodging the module.

CAUTION

Never install the retaining clips in conjunction with newer HSJ-series controllers (ones with identification and retaining tabs) or equipment damage will result.

Related Documents

StorageWorks Array Controllers HS Family of Array Controllers Service Manual

EK-HSFAM-SV

StorageWorks Array Controllers HS Family of Array Controllers User's Guide

EK-HSFAM-UG