

DIGITAL StorageWorks Installing an UltraSCSI HUB Shelf (DS-BA35X-RL)

This document describes how to install an UltraSCSI HUB mounting bracket and shelf into a SW600 cabinet. It also provides instructions on how to route and secure the power cords and UltraSCSI HUB data cables.

UltraSCSI HUB Mounting Kit

Use Table 1 to verify that all mounting kit parts are available.

Table 1 UltraSCSI HUB Mounting Bracket Kit

Description	Qty
Mounting Bracket	2
Locking Bracket	2
M5 KEP Nut	8
Power Cord, Black	1
Power Cord, Gray	1
Push Mount Cable Tie	8
Cable Tie	14
Adhesive backed Cable Tie	12

Note

The number of cable ties provided in the mounting kit will secure the power cords and data cables for only one UltraSCSI HUB. Cabinet rail holes are counted from the top to the bottom.

Cabinet Configuration

An SW600 cabinet with one DS-BA370 Shelf installed can be configured to hold up to four UltraSCSI HUB shelves. Table 2 provides the position and rail hole location of each shelf.

Table 2 UltraSCSI HUB Shelf Configuration

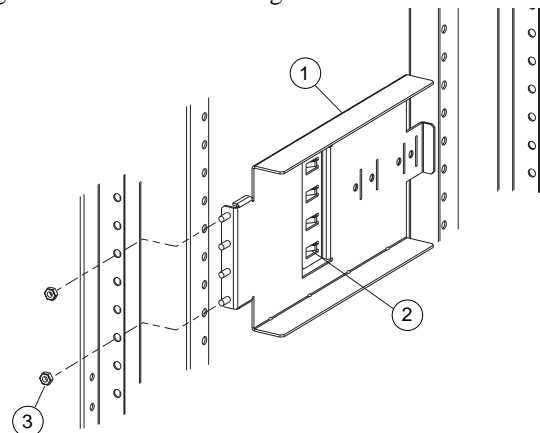
HUB position	Rail hole location that the mounting bracket studs are inserted into
1	27 – 30
2	20 – 23
3	13 – 16
4	6 – 9

UltraSCSI HUB Shelf Installation

Table 3 provides the procedure for installing an UltraSCSI HUB mounting bracket.

Table 3 Installing the Mounting Brackets

1. Use Table 2 to identify the HUB shelf location.
2. If applicable, remove all cable ties that may interfere with installing the HUB mounting bracket. Ensure all power cords and data cables are clear of the shelf slot.
3. Remove filler panels as required.
4. Position the mounting bracket (CALLOUT 1) behind and against the cabinet rail flange.



CXO6443A

Table 3 Installing the Mounting Brackets (Continued)

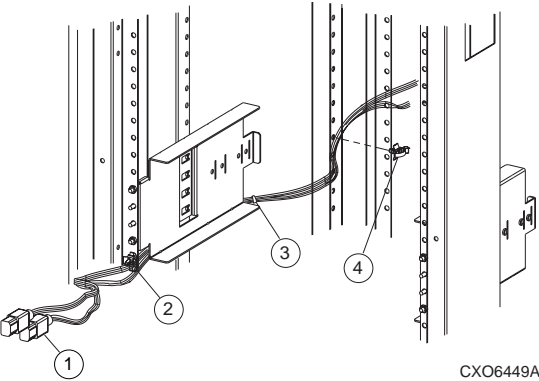
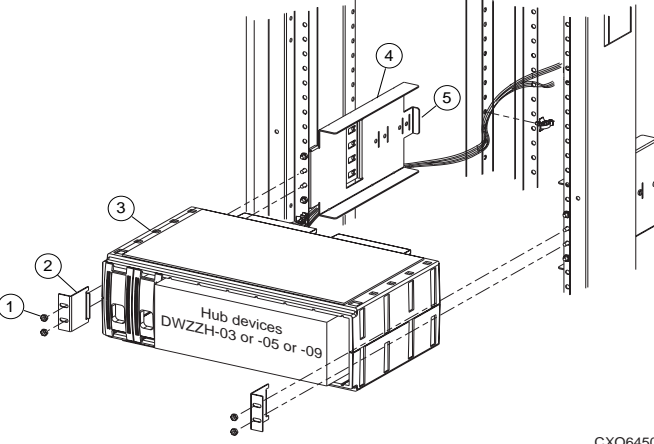
5. Ensure the four mounting studs (CALLOUT 1) and tabs (CALLOUT 2) are aligned with the rail mounting holes.
6. Slide the mounting bracket forward to seat the studs and tabs.
7. Install the Kep nuts (CALLOUT 3) on the outer two studs and fully tighten.
8. Repeat steps 4 through 7 for the second mounting bracket.
9. Route the power cords down and through the opening between the bottom-left corner of the HUB shelf and the front-left cabinet rail.
10. Secure both power cords (CALLOUT 1) together with a push mount cable tie (CALLOUT 2).
<p>Caution</p> <p>Ensure the length of the black power cord from the push mount cable tie is 7.5 inches and the gray power cord is 8.5 inches. This will prevent the cords from being damaged due to tension or from coming into contact with the cabinet door.</p>
 <p style="text-align: right;">CXO6449A</p>
11. Install the push mount cable tie (CALLOUT 2) into the rail flange from the rear.
12. Use a cable tie (CALLOUT 3) about midway between the front and rear rails to secure the power cords together.
13. Use a push mount cable tie (CALLOUT 4) to secure the power cords to a rear rail hole that is in-line with the shelf.
14. Use another push mount cable tie to secure the power cords to a rear rail hole that is near the power strips. Use additional push mount cable ties to secure the power cords as required.

Table 3 Installing the Mounting Brackets (Continued)

15. Dress, and secure the power cords together with a cable tie approximately eight inches from the plug end.

Use Table 4 and Figure 1 to install the HUB shelf and to route the power cords.

Table 4 Installing an UltraSCSI HUB Shelf

1. Orient the shelf (CALLOUT 3) so that the power supplies are located on the left side of the shelf.
 <p style="text-align: right;">CXO6450A</p>
2. Slide the shelf into the mounting brackets (CALLOUT 4) and fully seat it against the stop flange (CALLOUT 5).
3. Install the locking bracket (CALLOUT 2) over the two center studs. Use two Kep nuts (CALLOUT 1) to hold in place.
4. Repeat step 3 for the other locking bracket.
5. Firmly push the locking brackets against the shelf to seat them.
6. Tighten both locking bracket Kep nuts.
7. Connect the power cords to the shelf power supplies. The black cord is connected to the left shelf power supply the gray cord is connected to the right shelf power supply.

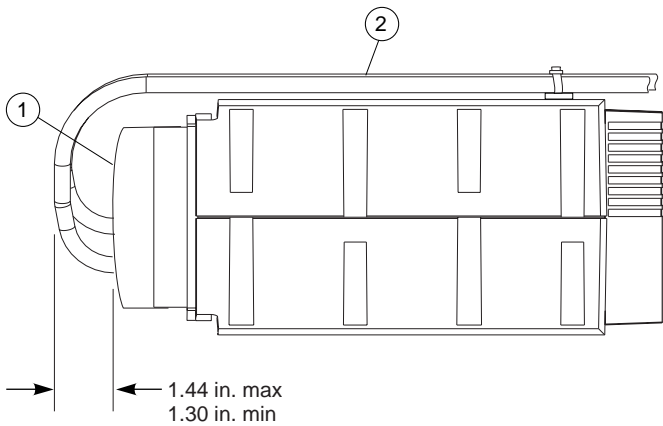
Use Table 5 to route the data cables.

Table 5 Data Cable Routing

1. Loop the data cables (CALLOUT 2) over the top of the HUB (CALLOUT 1).

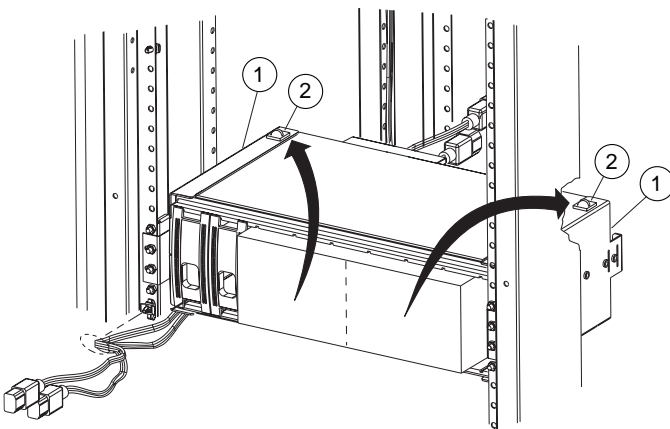
Caution

Ensure the dimensions for the data cable loop conforms to the following illustration. This will prevent the data cables from being damaged due to tension or from coming into contact with the door.



CXO6441A

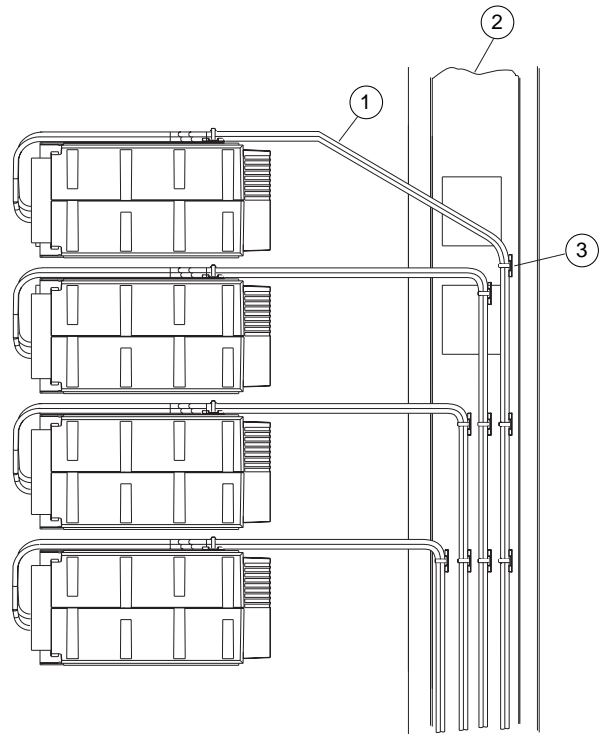
2. At the rear of the cabinet, dress the data cables from the HUB and secure together to the top flange of the mounting bracket (CALLOUT 1) with an adhesive backed cable tie (CALLOUT 2).



CXO6446A

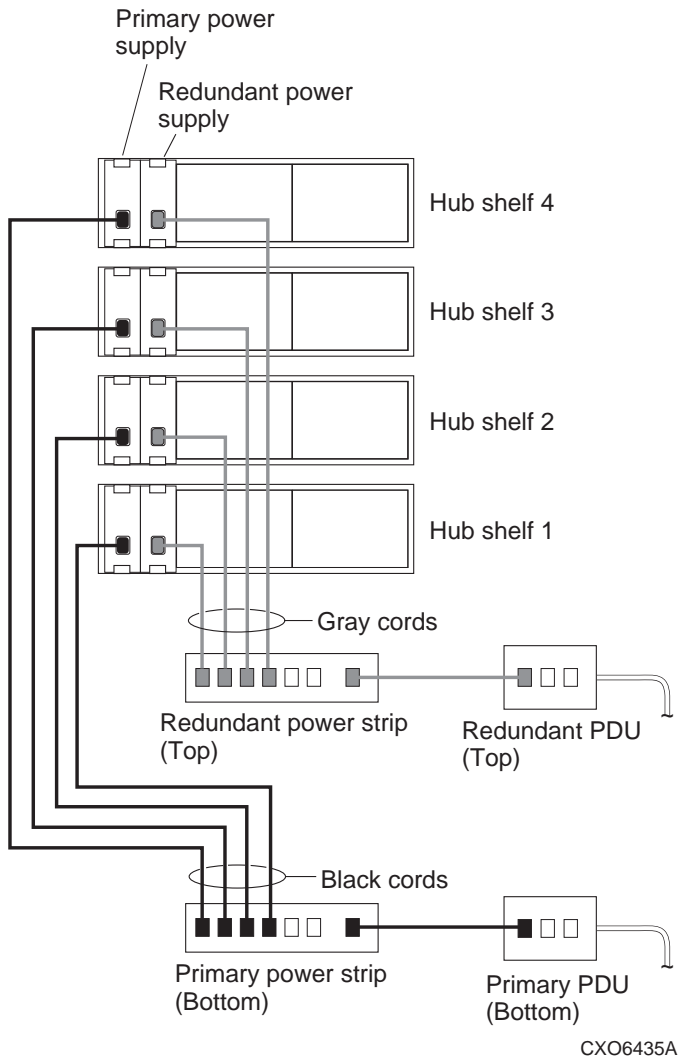
Table 5 Data Cable Routing

3. Route the data cables (CALLOUT 1) to the rear rail channels (CALLOUT 2) and down the length of the rail. Dress and secure the cables to the rear rail channel with adhesive backed cable ties (CALLOUT 3).



CXO6445A

Figure 1 AC Wiring Schematic



WARNING!

To prevent the possibility of injury or death as a result of electrical shock, always install the AC wiring exactly as shown in the schematic.