

Compaq StorageWorks Panel Mounting Kit for RETMA Cabinets (DS-SWX41-XK) Installation Guide

This document describes how to install the panel mounting kit (DS-SWX41-XK) in a RETMA cabinet.

Note

If a cabinet has a particular filler panel configuration that was factory-installed, do not remove the panels unless reconfiguring the cabinet.

If adding enclosures or reconfiguring the cabinet, use filler panels in all open slots below the highest enclosure installed. This applies in the front and rear of the cabinet.

Panel Mounting Kit Contents

Use Table 1 to verify that all panel mounting kit parts are available.

Note

For easy identification, a component part number is stamped on each panel. Not all parts are used in each cabinet configuration.

Table 1 Panel Mounting Kit Parts List

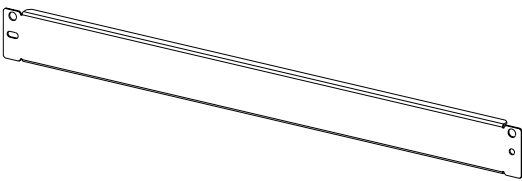
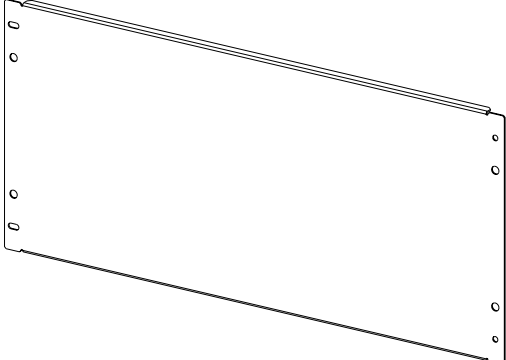
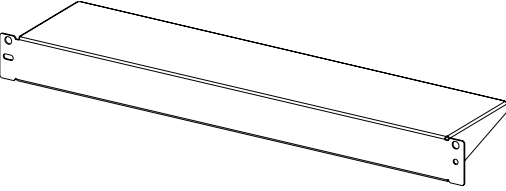
Description	Qty
10-32 x 5/8 in Pan Head SEMS Screw	14
U-Nut	14
1 unit (1U) Filler Panel (74-60091-01) 	4

Table 1 Panel Mounting Kit Parts List (Continued)

Description	Qty
5U Filler Panel (74-60091-05) 	1
1U Cover Plate (74-60152-01) 	1

Preliminary Information

The filler panels and cover plate in this kit mount in either a 1U space or 5U space. A single U-space (1U) is composed of three rail holes and measures 1.75 inches in height. Spacing between the first and second hole, and between the second and third hole in a U-space is 0.625 in. Spacing between the third hole in a U-space and the first hole of a second U-space is 0.5 in. Thus, a 1U space measures 1.75 in (0.625 + 0.625 + 0.5). This three hole pattern repeats the entire length of the rails in a RETMA cabinet.

A 5U space takes up five 1U hole patterns or 8.75 in (5 x 1.75 in).

Note

Correct placement of each filler panel is dependent upon using the appropriate rail holes which make up the 1U or 5U height.

A cover plate can be mounted in two ways:

- *Extended face up*, if installed below the lowest enclosure within the cabinet as shown in Table 2, step 2
- *Extended face down*, if installed above the highest enclosure within the cabinet

Mount the appropriate size and number of filler panels above or below the cover plate, installing enough panels to close the opening extending to the top or bottom of the cabinet.

Installation Procedures

Complete the procedure in Table 2 to install a filler panel or cover plate.

Table 2 Filler Panel or Cover Plate Installation Procedure

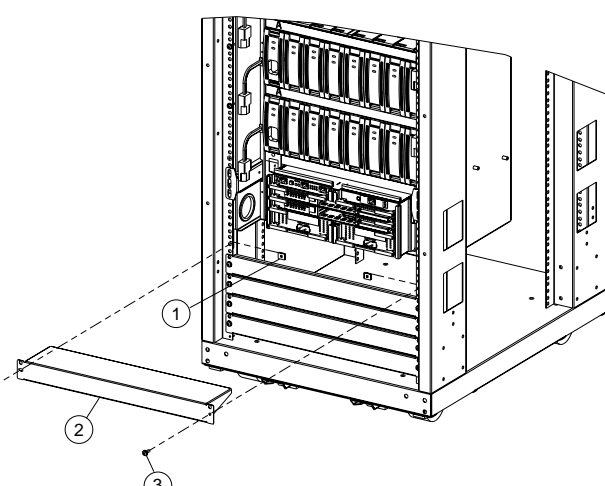
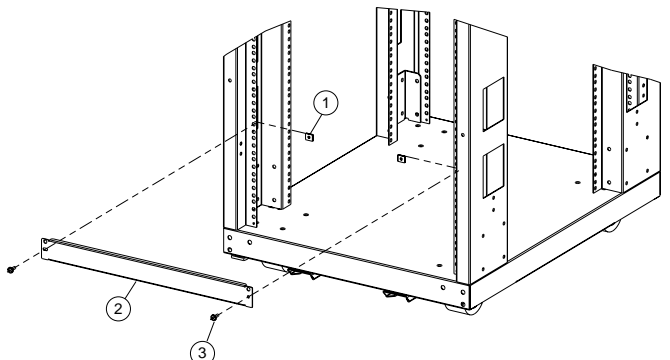
<ol style="list-style-type: none"> 1. Identify the cover plate mounting location (below the lowest enclosure or above the highest enclosure), using the first available 1U space. 	
<ol style="list-style-type: none"> 2. Insert a U-nut (CALLOUT 1) in each cabinet rail hole opening where a panel hole corresponds with a cabinet rail hole. 	 <p style="text-align: right; font-size: small;">CXO6596B</p>

Table 2 Filler Panel or Cover Plate Installation Procedure (Continued)

<ol style="list-style-type: none"> 3. Align the panel (CALLOUT 2) with the U-nuts installed in the previous step and secure it only finger-tight using SEMS screws (CALLOUT 3). 	
	<p>Note</p> <p>Two U-nuts and two SEMS screws are required for a cover plate and each 1U filler panel. Four U-nuts and four SEMS screws are required for a 5U filler panel.</p> <p>Do not tighten the SEMS screws until all screws have been started.</p>
<ol style="list-style-type: none"> 4. Fully tighten the SEMS screws (CALLOUT 3). 	
<ol style="list-style-type: none"> 5. Identify the number and placement of 1U and 5U filler panels sufficient to fill the remaining opening above or below the cover plate. 	<p>Note</p> <p>Install filler panels from the cover plate up or down, beginning with the first available 1U (for a 1U filler panel) or 5U space (for a 5U filler panel).</p> <p>If necessary, install additional filler panels using the first available 1U space or 5U space.</p>
<ol style="list-style-type: none"> 6. Repeat steps 2 through 5 as appropriate using a 1U or 5U filler panel until the opening above or below the cover plate is closed. 	 <p style="text-align: right; font-size: small;">CXO6617A</p>