

TLZ06 Cassette Tape Drive

Installation Guide

Order Number: EK-STEXP-AD. A01

First Printing, July, 1992

The information in this document is subject to change without notice and should not be construed as a commitment by Digital Equipment Corporation.

Digital Equipment Corporation assumes no responsibility for any errors that may appear in this document.

Restricted Rights: Use, duplication, or disclosure by the U.S. Government is subject to restrictions as set forth in subparagraph (c)(1)(ii) of the Rights in Technical Data and Computer Software clause at DFARS 252.227-7013.

Copyright © Digital Equipment Corporation 1990, 1991, 1992. All Rights Reserved.

The following are trademarks of Digital Equipment Corporation: VAX Document and the DIGITAL logo.

FCC NOTICE: The equipment described in this manual generates, uses, and may emit radio frequency. The equipment has been type tested and found to comply with the limits for a Class A computing device pursuant to Subpart J of Part 15 of FCC Rules, which are designed to provide reasonable protection against such radio frequency interference.

Operation of the equipment in a residential area may cause interference, in which case the user at his own expense will be required to take whatever measures may be required to correct the interference.

S2023

This document was prepared using VAX DOCUMENT, Version 2.0.

Contents

Preface	vii
1 Installing the TLZ06 in the VAXstation 4000 Model 60 and Model 90	
1.1 Contents of a Drive Kit	1-1
1.2 Preparing Your System	1-1
1.3 Installing the TLZ06 Cassette Tape Drive	1-4
1.4 Changing the SCSI ID Switches	1-4
1.4.1 Remove the Hard Disk Mounting Bracket	1-7
1.4.2 Locate the Removable Media Bracket	1-7
1.4.3 Remove the Removable Media Bracket	1-8
1.4.4 Remove the Diagnostics Board	1-10
1.4.5 Remove the Bezel	1-11
1.4.6 Remove the Door	1-12
1.4.7 Install the TLZ06 Bezel	1-13
1.4.8 Replace the Diagnostics Board	1-13
1.4.9 Replace the Bracket in the System Unit	1-15
1.4.10 Install the Drive Assembly in the Bracket	1-16
1.5 Connecting the SCSI and Power Cables	1-17
1.5.1 Locate the SCSI Cable	1-17
1.5.2 Connecting the SCSI Connector	1-18
1.5.3 Locating the Power Cable	1-18
1.5.4 Connecting the Power Connector	1-19
1.5.5 Replacing the Hard Disk Mounting Bracket	1-19
1.6 Replacing the System Unit Cover	1-19
1.7 Testing the TLZ06 Drive Installation	1-20

2 Adding the TLZ06 Cassette Tape Drive to Your BA46 Storage Expansion Box

2.1	Contents of a Drive Kit	2-1
2.2	Preparing Your System	2-1
2.2.1	Opening the Expansion Box	2-3
2.3	Expansion Box Configurations	2-5
2.3.1	Locate the Removable Media Bracket	2-6
2.3.2	Remove the Removable Media Bracket	2-7
2.4	Adding the TLZ06 Cassette Tape Drive Assembly	2-8
2.5	Setting the SCSI ID	2-10
2.6	Removing and Replacing a Front Bezel	2-12
2.6.1	Installing a Single TLZ06 Cassette Tape Drive into the Removable Media Bracket	2-16
2.7	Installing the TLZ06 Cassette Tape Drive with Another Removable Media Device	2-18
2.7.1	Connecting the SCSI and Power Cables	2-24

Index

Figures

1-1	Halt Button on the System Unit	1-2
1-2	Opening the System Unit	1-3
1-3	Locating the TLZ06 Drive SCSI ID Switches	1-5
1-4	Location of the Removable Media Bracket	1-7
1-5	Removing the Removable Media Bracket	1-8
1-6	Avoid Touching This Area	1-9
1-7	Removing the Diagnostics Board	1-10
1-8	Removing the Blank Bezel from the System Unit	1-11
1-9	Removing the Door from the Blank Bezel	1-12
1-10	Installing the TLZ06 Bezel in the System Unit	1-13
1-11	Replacing the Diagnostics Board	1-14
1-12	Replacing the Removable Media Bracket in the System Unit	1-15
1-13	Placing the TLZ06 Drive in the Bracket	1-16
1-14	SCSI Cables and Connectors	1-17
1-15	Connecting the SCSI Connector to the TLZ06 Drive	1-18
1-16	Power Cable and Connectors	1-18
1-17	Connecting the TLZ06 Power Connector	1-19

1-18	Replacing the System Unit Cover	1-20
2-1	The Halt Button on the System Unit	2-2
2-2	Removing the Expansion Box Cover	2-4
2-3	Device Locations	2-5
2-4	Location of the Removable Media Bracket	2-6
2-5	Removing the Removable Media Bracket	2-7
2-6	TLZ06 Cassette Tape Drive Assembly	2-8
2-7	Locating the TLZ06 Drive SCSI ID Switches	2-11
2-8	Removing a Front Bezel	2-13
2-9	Inserting a Front Bezel for a Single TLZ06	2-14
2-10	Inserting a Front Bezel for a TLZ06 and Another Removable Media Drive	2-15
2-11	Mounting the TLZ06 into the Removable Media Bracket	2-17
2-12	Removing the Removable Media Bracket from the Expansion Box	2-18
2-13	Mounting the TLZ06 Drive Inside the Metal Bracket	2-19
2-14	Placing the EMP Strap on the TLZ06 Drive	2-20
2-15	Mounting Another Drive Inside the Metal Bracket (the RRD42 is shown)	2-21
2-16	Mounting the Drive Inside the Expansion Box	2-22
2-17	Securing the Captive Screws	2-23
2-18	SCSI Cable and Connectors	2-24
2-19	TLZ06 SCSI Connection	2-24
2-20	Power Cable and Connectors	2-25
2-21	TLZ06 Power Connection	2-25
2-22	Replacing the Expansion Box Cover	2-26

Tables

1-1	Installation Steps for the TLZ06 Tape Drive	1-4
1-2	Recommended TLZ06 Switch Settings	1-6
2-1	Suggested Expansion Box Device Configurations	2-5
2-2	Installation Steps for the TLZ06 Tape Drive	2-9
2-3	Recommended TLZ06 Switch Settings	2-12

Preface

This manual contains instructions for installing the TLZ06 tape drive in the VAXstation 4000 Model 60 and Model 90 and in the BA46 Expansion Box.

Document Structure

This manual is divided into two chapters.

- Chapter 1 describes how to install a TLZ06 cassette tape drive in a VAXstation 4000, Model 60 or Model 90.
- Chapter 2 describes how to add a TLZ06 cassette tape drive to a BA46 storage expansion box.

Associated Documents

TLZ06 Cassette Tape Drive Owner's Manual (EK-TLZ06-OM.002)

VAXstation 4000 Options Installation Guide (EK-VAXOP-IN.A01)

BA46 Storage Expansion Box Owner's Guide (EK-STEXP-IG-001)

1

Installing the TLZ06 in the VAXstation 4000 Model 60 and Model 90

This chapter explains how to install the TLZ06 cassette tape drive in your VAXstation 4000 Model 60 and Model 90 system unit.

If you are installing the TLZ06 in the BA46 expansion box, turn to Chapter 2.

The *TLZ06 Cassette Tape Drive Owner's Manual* describes how to use and clean the drive.

1.1 Contents of a Drive Kit

Each drive kit has the following components:

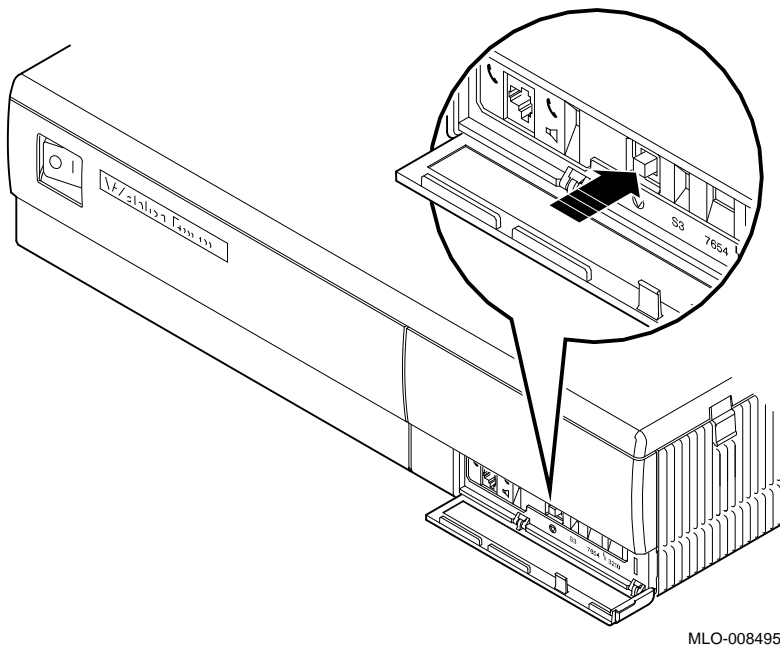
- Drive assembly
- Front bezel
- Cleaning tape
- Recording tape
- *TLZ06 Cassette Tape Drive Owner's Manual*

1.2 Preparing Your System

To prepare your system:

1. See your operating system documentation for shutdown procedures. If your system is part of a networked work group, do not turn off, halt, or restart the system without notifying the work group members.
2. Put your system into console mode by pressing the halt button on the front of the system unit. The halt button is shown in Figure 1-1.

Figure 1-1 Halt Button on the System Unit



Note

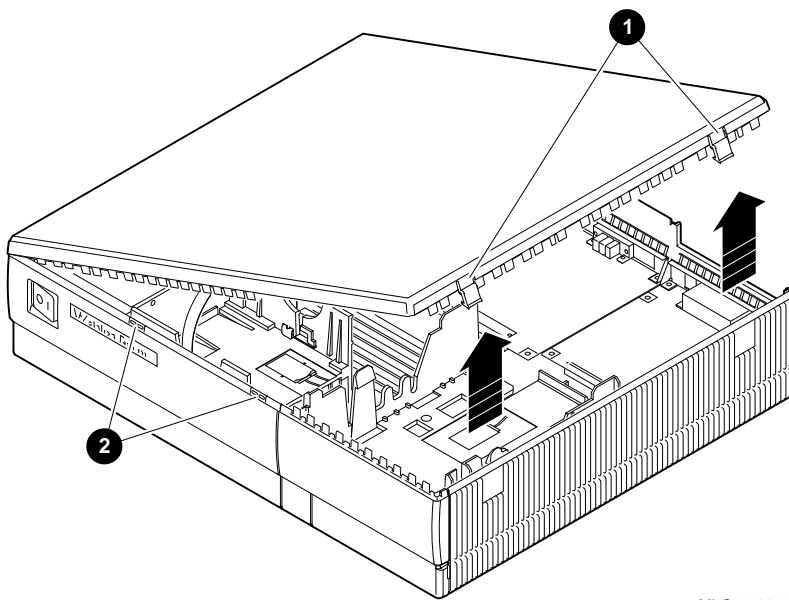
Before you add a new option, you should review your system configuration. After adding an option, you can compare the new configuration with the previous one to help verify that all devices are present and functioning correctly.

See your system owner's manual for more information on diagnostic test displays.

3. Turn off (O) your equipment in the following order:
 - Expansion boxes
 - Printer, modem, or other equipment
 - System unit and monitor

4. Release the two latches ❶ on the system unit cover, as shown in Figure 1-2. Pull the cover up and away. You will need to pull forcefully to release the retention devices ❷ on the middle of the front and rear edges of the cover.

Figure 1-2 Opening the System Unit



MLO-008100

Warning

When removing the cover, do not touch the sharp plastic teeth on the top edge of the bezel. Also, do not touch the metal shielding under the front edge of the cover.

Caution

To avoid damage from static discharge, as soon as you remove the cover, and before touching anything inside the system unit, touch the space marked TOUCH HERE on the top of the power supply. Digital also recommends that you wear an antistatic wrist strap and use an antistatic mat when adding options inside the expansion box.

1.3 Installing the TLZ06 Cassette Tape Drive

Table 1–1 provides an overview of the TLZ06 installation steps. The sections following the table explain each step in more detail.

Table 1–1 Installation Steps for the TLZ06 Tape Drive

-
- | | |
|-----|---|
| 1. | Set the SCSI ID, if necessary. |
| 2. | Remove the hard disk mounting bracket. |
| 3. | Locate and remove the removable media bracket. |
| 4. | Remove the diagnostics board. |
| 5. | Replace the blank bezel in the system unit with the TLZ06 bezel shipped with the drive. |
| 6. | Replace the diagnostics board. |
| 7. | Replace the removable media bracket. |
| 8. | Install the drive in the bracket. |
| 9. | Connect the SCSI and power cables. |
| 10. | Replace the system unit cover. |
-

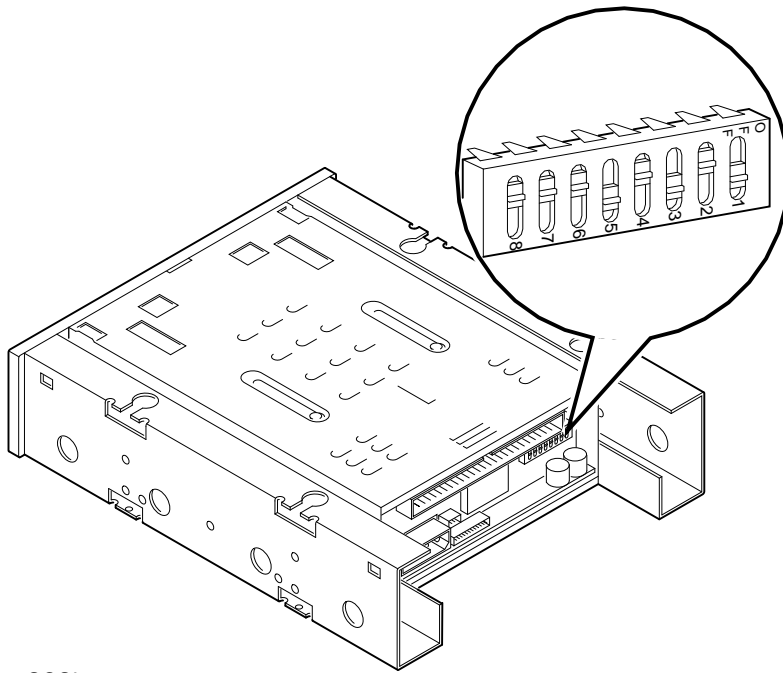
1.4 Changing the SCSI ID Switches

You do not need to change the SCSI ID unless your system is configured with more than one TLZ06 or you have another device set to SCSI address 5.

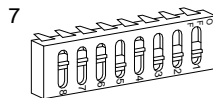
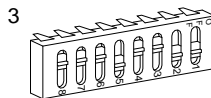
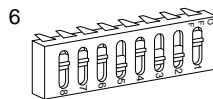
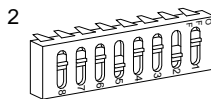
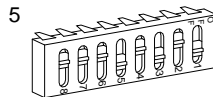
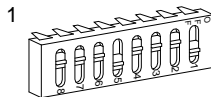
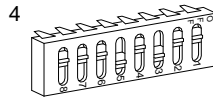
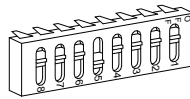
If your system has two TLZ06 drives, change the SCSI ID on the second TLZ06 by following these steps:

1. Locate the SCSI ID switches on the rear of the TLZ06 tape drive, as shown in Figure 1–3.

Figure 1-3 Locating the TLZ06 Drive SCSI ID Switches



SCSI
Settings: 0



MLO-009212

2. Set the SCSI ID. Switches 3, 2, and 1 allow you to select a unique SCSI address for each drive. When switches 3, 2, and 1 are set down/up/down, as shown in Figure 1–3, the drive is set for SCSI address 5, the default address for a tape drive. See Table 1–2 for the recommended SCSI address for various drives.

Do not use jumper pins for this drive.

Table 1–2 Recommended TLZ06 Switch Settings

Drive Type	Recommended SCSI Address	3	2	1
RZ25	0			
RZ25	1			
RZ25	2			
Factory-installed RZ25	3			
RRD42	4			
RX26/TZK10/TLZ06	5	Down	Up	Down
SCSI controller	6			
(High-priority drive)	7			

Caution

Each device must have a unique SCSI ID. Never set two devices to the same SCSI ID; the system will not be able to communicate with the devices.

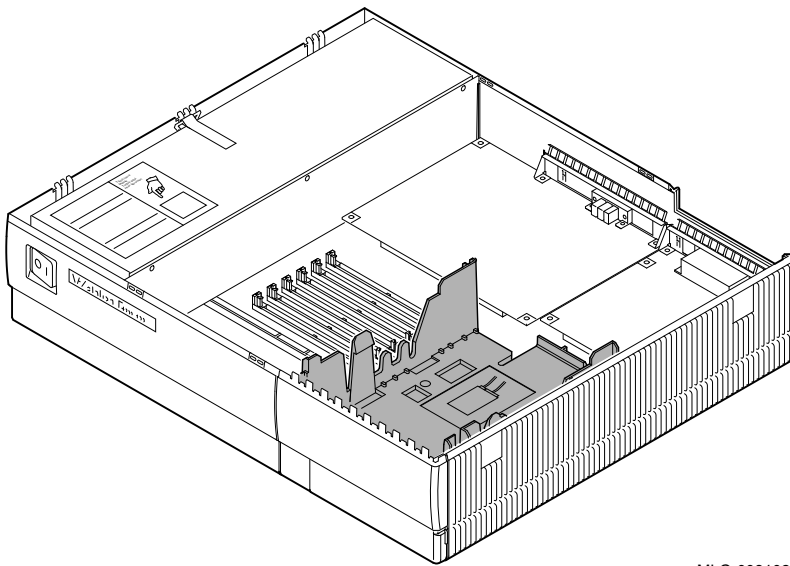
1.4.1 Remove the Hard Disk Mounting Bracket

Remove the hard disk mounting bracket from the system unit.

1.4.2 Locate the Removable Media Bracket

Figure 1-4 shows the location of the removable media bracket.

Figure 1-4 Location of the Removable Media Bracket



MLO-008102

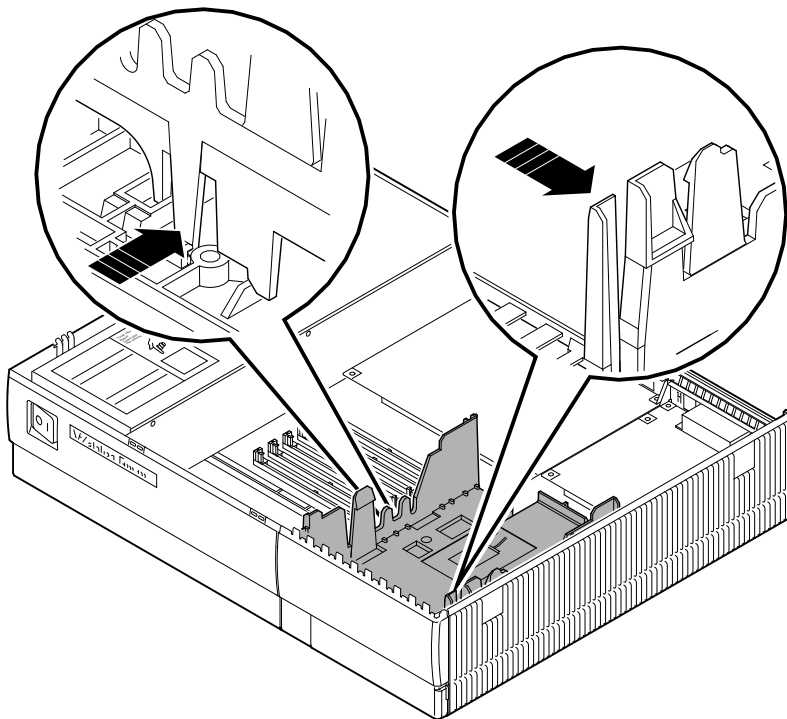
Warning

When removing or replacing the removable media bracket, do not touch the sharp plastic edges on the top edge of the bezel.

1.4.3 Remove the Removable Media Bracket

Remove the bracket from the system unit by simultaneously releasing the cantilever catches (as shown in Figure 1-5) and lifting the bracket straight up. Pulling up hard will not break the bracket.

Figure 1-5 Removing the Removable Media Bracket

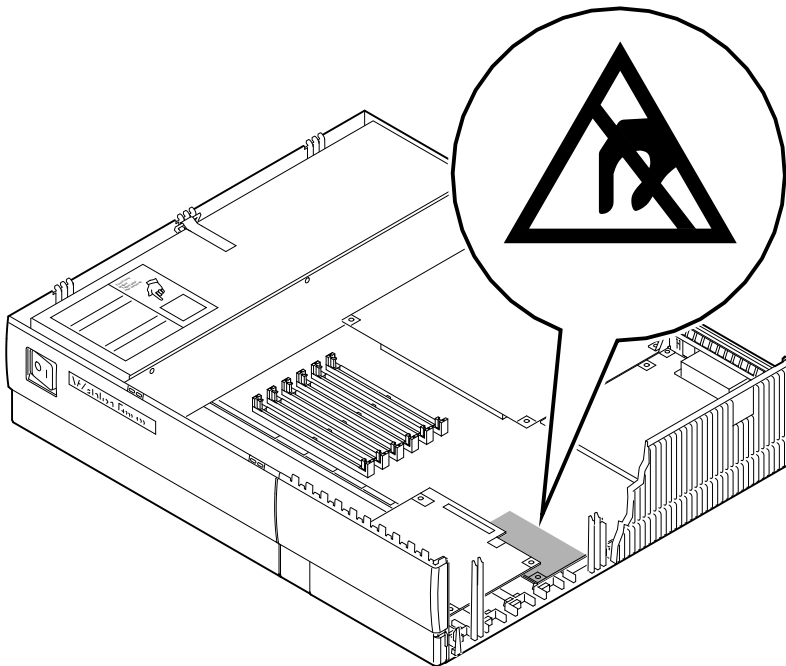


MLO-008103

Caution

When removing the diagnostic board (in the next step) be very careful to avoid touching the CPU board in the area shown in Figure 1-6. Touching the board in the area indicated could damage some of the components on the board.

Figure 1-6 Avoid Touching This Area



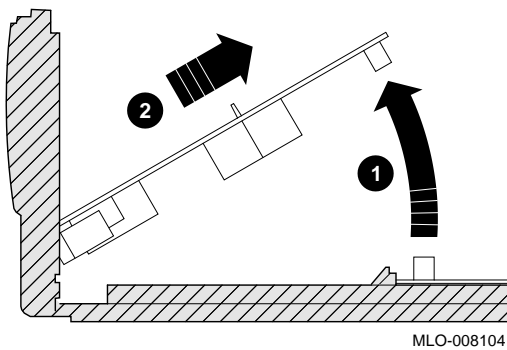
MLO-008159

1.4.4 Remove the Diagnostics Board

Remove the diagnostics board (see Figure 1-7) from the system unit by:

1. Pulling up on the rear edge of the board and releasing the connectors ❶
2. Sliding the board out of the system unit ❷

Figure 1-7 Removing the Diagnostics Board

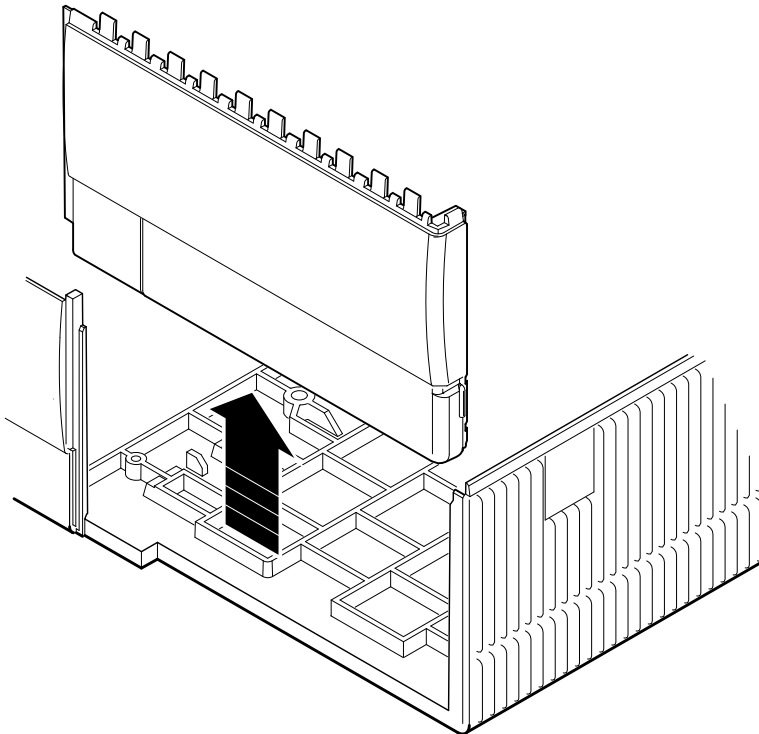


MLO-008104

1.4.5 Remove the Bezel

Remove the blank bezel from the front of the system unit by pulling the bezel up, as shown in Figure 1-8.

Figure 1-8 Removing the Blank Bezel from the System Unit

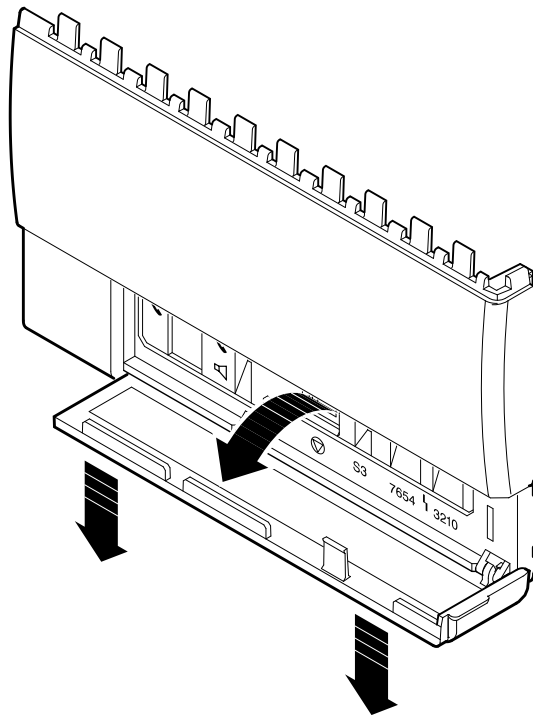


MLO-008105

1.4.6 Remove the Door

Carefully remove the door from the blank bezel by pressing down on its front edge, as shown in Figure 1-9.

Figure 1-9 Removing the Door from the Blank Bezel



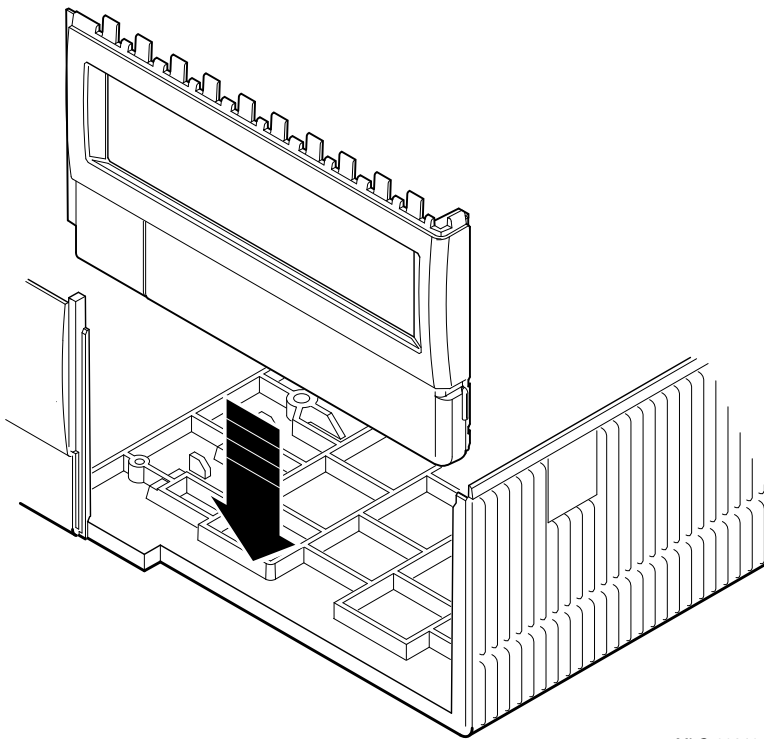
MLO-008106

1.4.7 Install the TLZ06 Bezel

Snap the door from the blank bezel onto the TLZ06 bezel at the two hinges. Close the door.

Slide the TLZ06 bezel into the front panel on the system unit, as shown in Figure 1-10. The side ribs slide into the grooves.

Figure 1-10 Installing the TLZ06 Bezel in the System Unit



MLO-008107

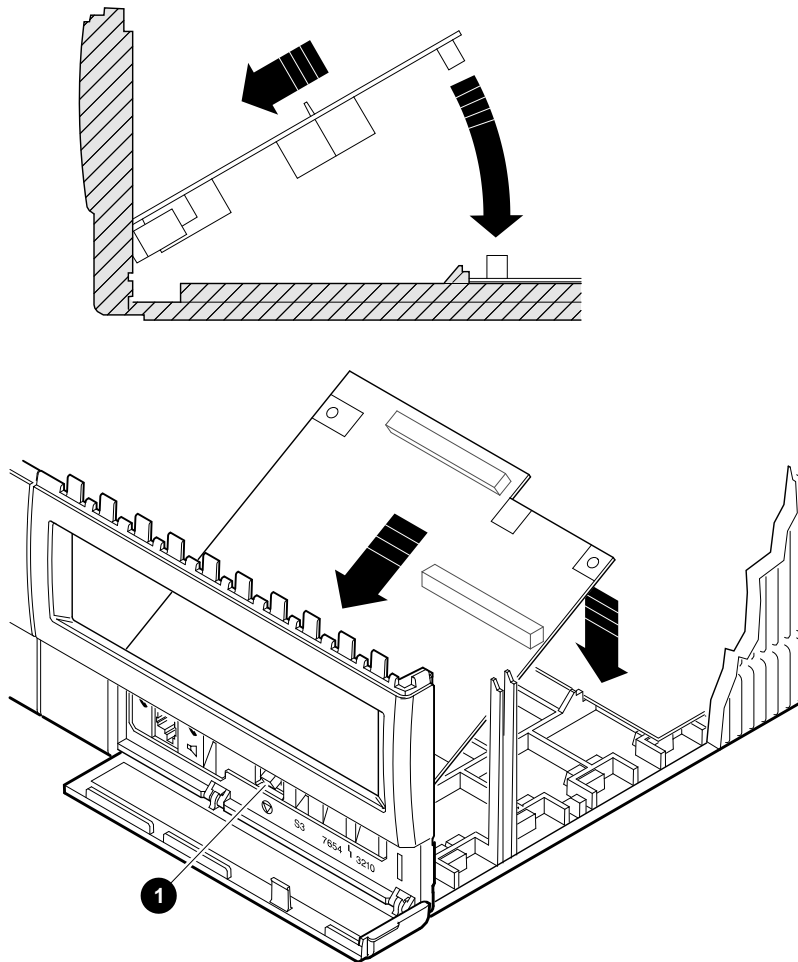
1.4.8 Replace the Diagnostics Board

To replace the diagnostics board, follow these steps and refer to Figure 1-11:

1. Fit the front edge of the board into the notches on the inside of the bezel.
2. Align the square halt button **1** on the board with the square hole in the bezel.

3. Press down on the rear edge of the board, to ensure the connectors are firmly seated.

Figure 1-11 Replacing the Diagnostics Board

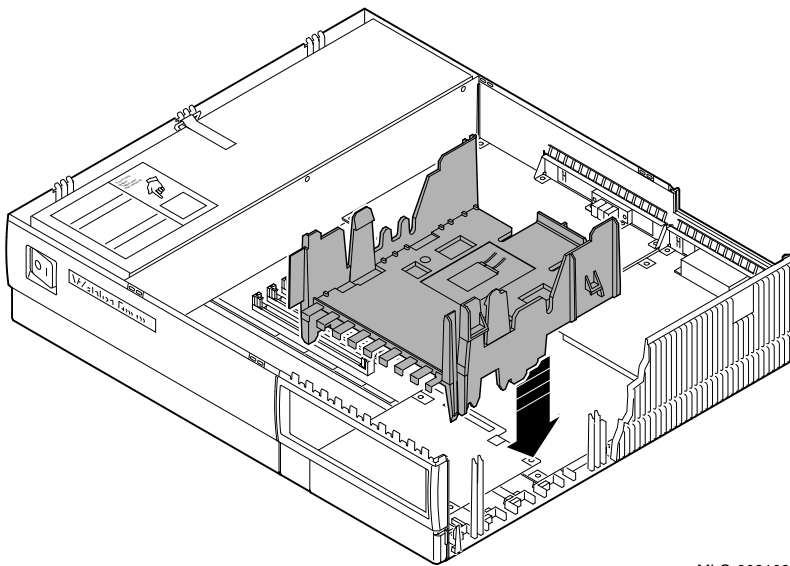


MLO-008108

1.4.9 Replace the Bracket in the System Unit

Place the removable media bracket in the system unit, as shown in Figure 1-12. The bracket slides down along two keys molded in the inside wall of the system unit, and latches on the front corner when it is fully seated.

Figure 1-12 Replacing the Removable Media Bracket in the System Unit



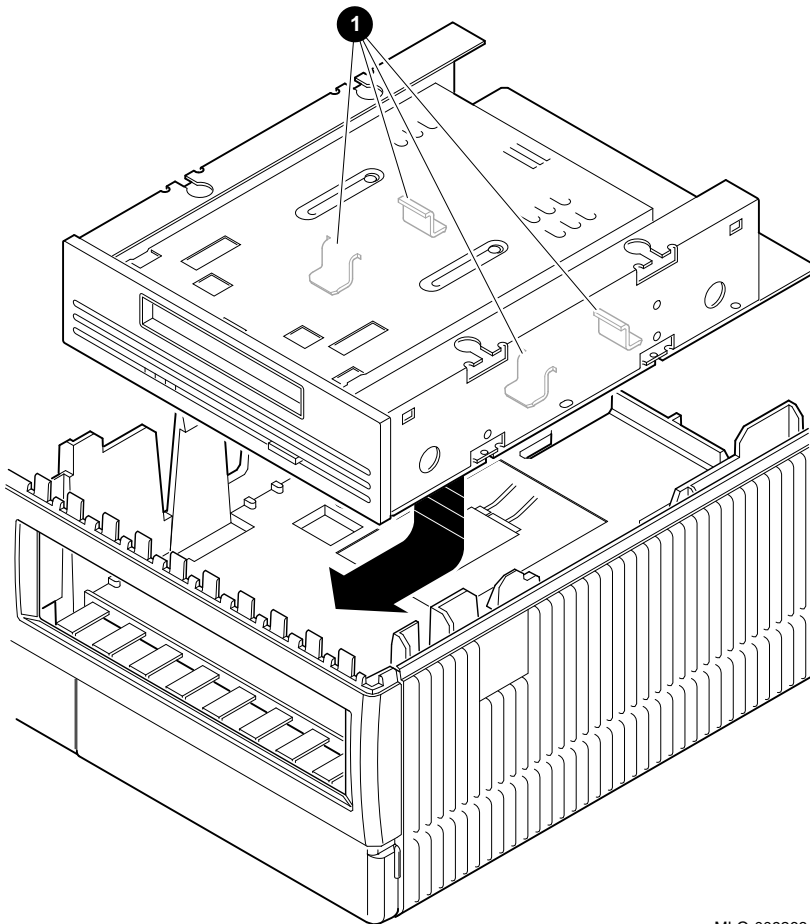
MLO-008109

1.4.10 Install the Drive Assembly in the Bracket

Place the TLZ06 drive in the removable bracket, as shown in Figure 1–13.

When the drive is seated, slide it forward to lock it in place. Clips ❶ on the underside of the drive will lock into the bracket, and a latch on the bracket will engage the rear of the drive.

Figure 1–13 Placing the TLZ06 Drive in the Bracket



MLO-009263

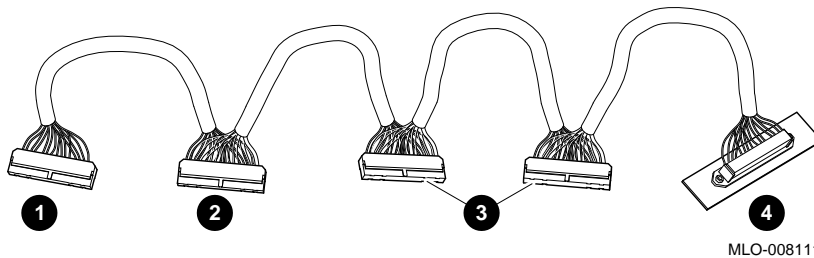
1.5 Connecting the SCSI and Power Cables

The following sections describe which SCSI and power cables you connect to the TLZ06 tape drive.

1.5.1 Locate the SCSI Cable

Locate the SCSI cable ②, shown in Figure 1-14, and identify the SCSI connector for the TLZ06 drive.

Figure 1-14 SCSI Cables and Connectors



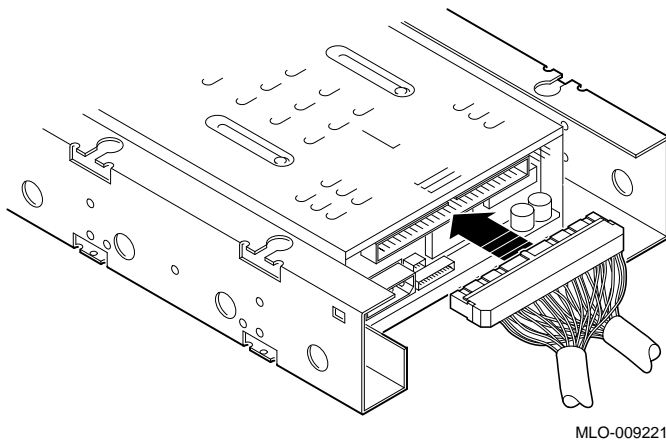
MLO-008111

- ① CPU connector
- ② TLZ06 SCSI connector
- ③ RZ2n connectors
- ④ Rear panel SCSI port cable

1.5.2 Connecting the SCSI Connector

Connect the TLZ06 SCSI connector to the SCSI port on the TLZ06 drive, as shown in Figure 1-15.

Figure 1-15 Connecting the SCSI Connector to the TLZ06 Drive

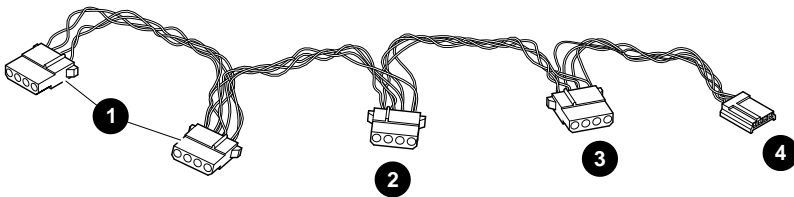


MLO-009221

1.5.3 Locating the Power Cable

Locate the power cables, shown in Figure 1-16, and identify the TLZ06 connector ③.

Figure 1-16 Power Cable and Connectors



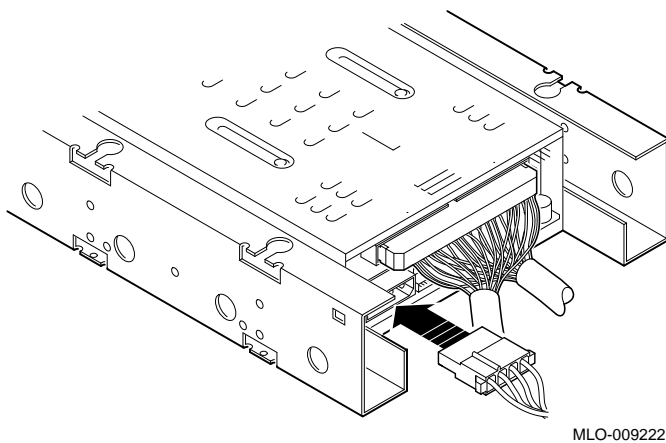
MLO-008113

- ❶ RZ2n connectors
- ❷ System module connector
- ❸ Removable media drive (TLZ06)/RX26 controller module connector
- ❹ RX26 connector

1.5.4 Connecting the Power Connector

Connect the power connector to the TLZ06 drive, as shown in Figure 1–17.

Figure 1–17 Connecting the TLZ06 Power Connector



MLO-009222

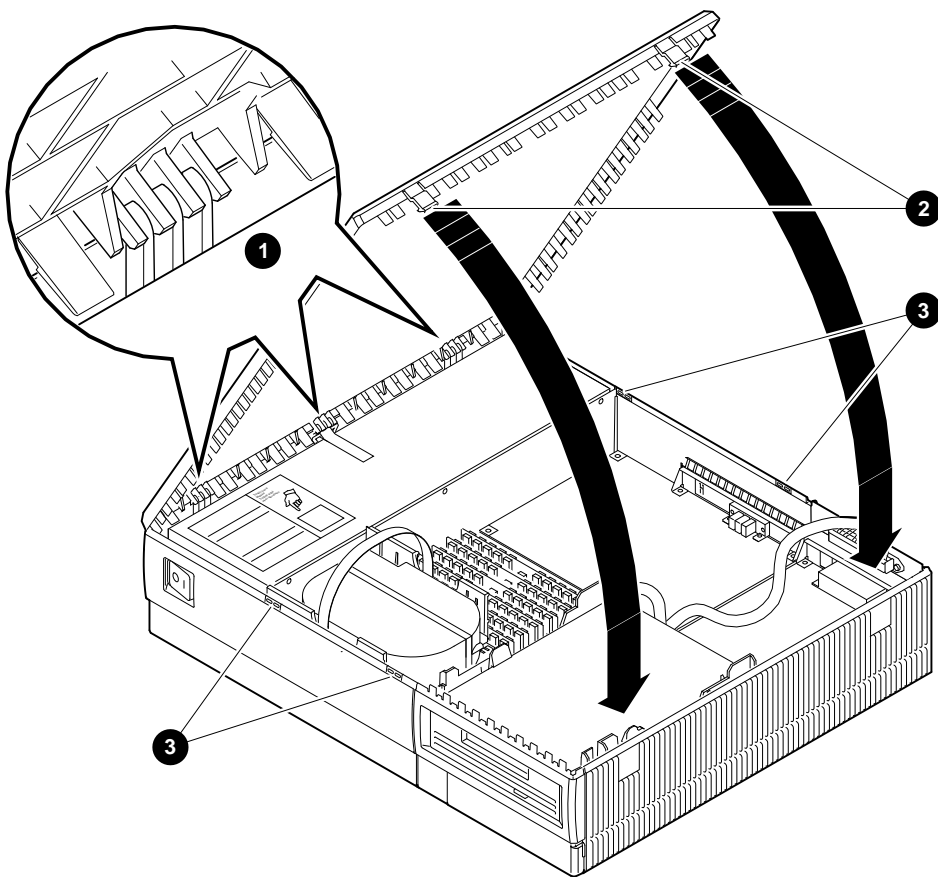
1.5.5 Replacing the Hard Disk Mounting Bracket

Replace the hard disk mounting bracket. If necessary, check the cable routing in the *VAXstation 4000 Options Installation Guide*.

1.6 Replacing the System Unit Cover

Mesh the hinge teeth ❶ of the cover with the hinge teeth on the left side of the system unit, then lower the cover. The cover latches ❷ should click into place. See Figure 1–18. Press firmly on the middle of the front and rear edges of the cover until you hear the retention devices ❸ click.

Figure 1-18 Replacing the System Unit Cover



MLO-009219

1.7 Testing the TLZ06 Drive Installation

See the *VAXstation 4000 Model 60 Options Installation Guide* for instructions on testing an installation.

2

Adding the TLZ06 Cassette Tape Drive to Your BA46 Storage Expansion Box

This chapter explains how to install Digital Equipment Corporation's TLZ06 cassette tape drive in your BA46 expansion box.

The *BA46 Storage Expansion Box Owner's Guide* (EK-STEXP-IG-001) describes how to install and use various hardware options. The *TLZ06 Cassette Tape Drive Owner's Manual* (EK-TLZ06-OM.002) describes how to use and clean the drive.

2.1 Contents of a Drive Kit

Each drive kit has the following components:

- Drive assembly
- Front bezel
- Cleaning tape
- Recording tape
- *TLZ06 Cassette Tape Drive Owner's Manual*

If you are installing the TLZ06 with another removable media device, you must use the BA46X-AB kit. This kit, which is ordered separately, includes a bezel and a metal bracket that holds two devices.

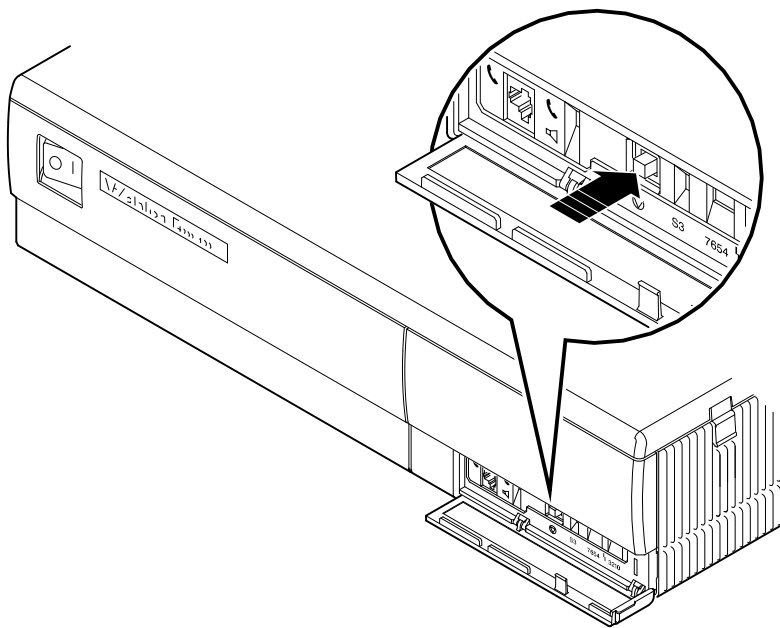
2.2 Preparing Your System

To prepare your system:

1. See your operating system documentation for shutdown procedures. If your system is part of a networked work group, do not turn off, halt, or restart the system without notifying work group members.

2. Put your system into console mode by pressing the halt button on the front of the system unit. The halt button is shown in Figure 2–1.

Figure 2–1 The Halt Button on the System Unit



MLO-008495

Note

Before you add the TLZ06 tape drive, review your current system box and expansion box configuration and record the information for reference. (After adding an option, you can compare the new expansion box configuration with the previous one to help verify that all devices are present and functioning correctly.)

3. Turn off (O) your equipment in the following order:

- Expansion boxes
- Printer, modem, or other equipment
- System unit and monitor

Caution

To avoid damage from static discharge, as soon as you remove the cover, and before touching anything inside the system unit, touch the space marked TOUCH HERE on the top of the power supply. Digital also recommends that you wear an antistatic wrist strap and use an antistatic mat when adding options inside the expansion box.

2.2.1 Opening the Expansion Box

Open the expansion box as follows:

- Release the two latches and lift the cover off, as shown in Figure 2-2, until the cover unhinges.

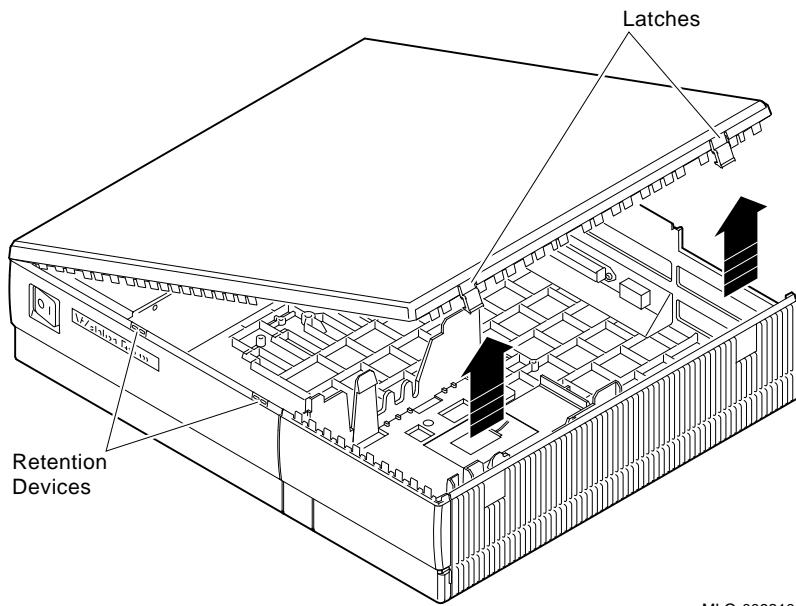
Warning

When removing the cover, do not touch the sharp plastic teeth on the top edge of the bezel. Also, do not touch the metal shielding under the front edge of the cover.

Note

When removing the cover, you will need to pull with sufficient force to release the retention devices on the middle of the front and rear edges of the cover. Pulling forcefully will not break the cover.

Figure 2-2 Removing the Expansion Box Cover

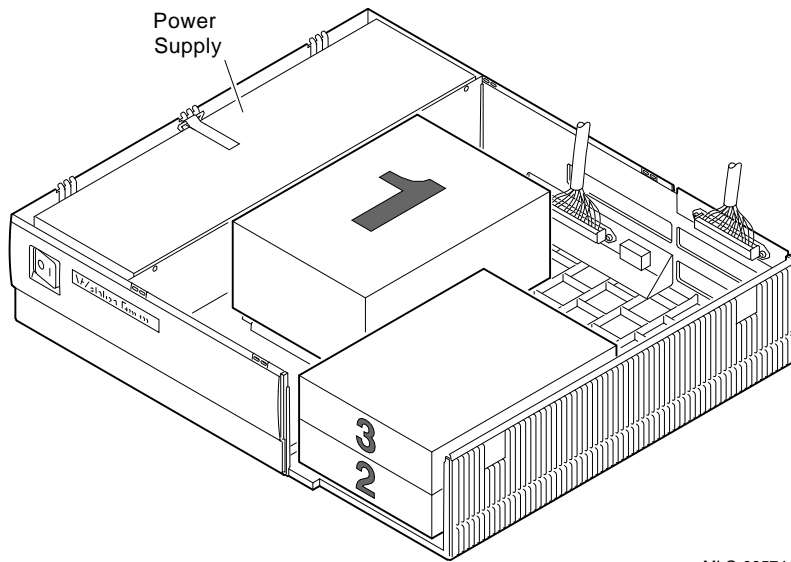


MLO-009210

2.3 Expansion Box Configurations

Figure 2-3 shows the available locations for drives in the expansion box. The TLZ06 drive can go into positions 2 or 3, depending on the other devices installed. Table 2-1 lists possible tape configurations for the three positions.

Figure 2-3 Device Locations



MLO-005741

Table 2-1 Suggested Expansion Box Device Configurations

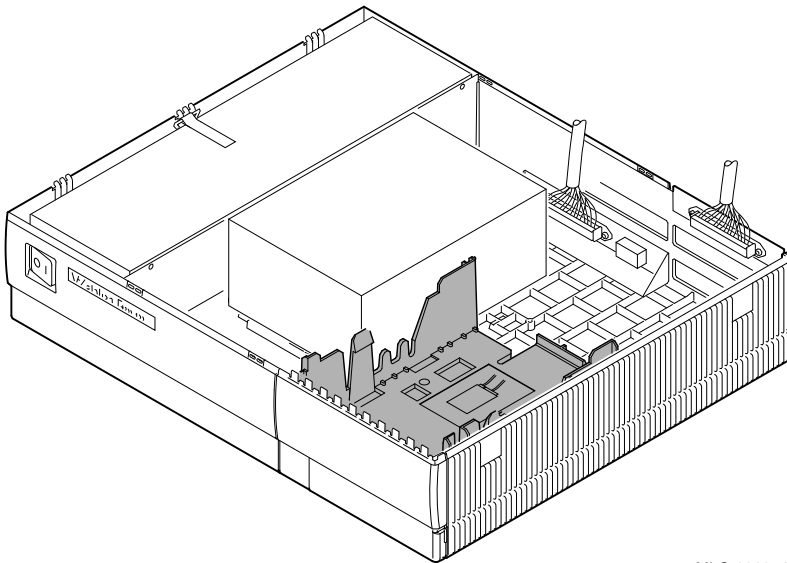
Position 1	Position 2	Position 3
Fixed disk drive or empty	TLZ06	RRD42
Fixed disk drive or empty	TZK10	TLZ06
Fixed disk drive or empty	TZ30	TLZ06
Fixed disk drive or empty	Empty ¹	TLZ06
Fixed disk drive or empty	TLZ06	TLZ06

¹Use the plastic removable media bracket for this configuration.

2.3.1 Locate the Removable Media Bracket

Figure 2-4 shows the location of the removable media bracket.

Figure 2-4 Location of the Removable Media Bracket



MLO-009374

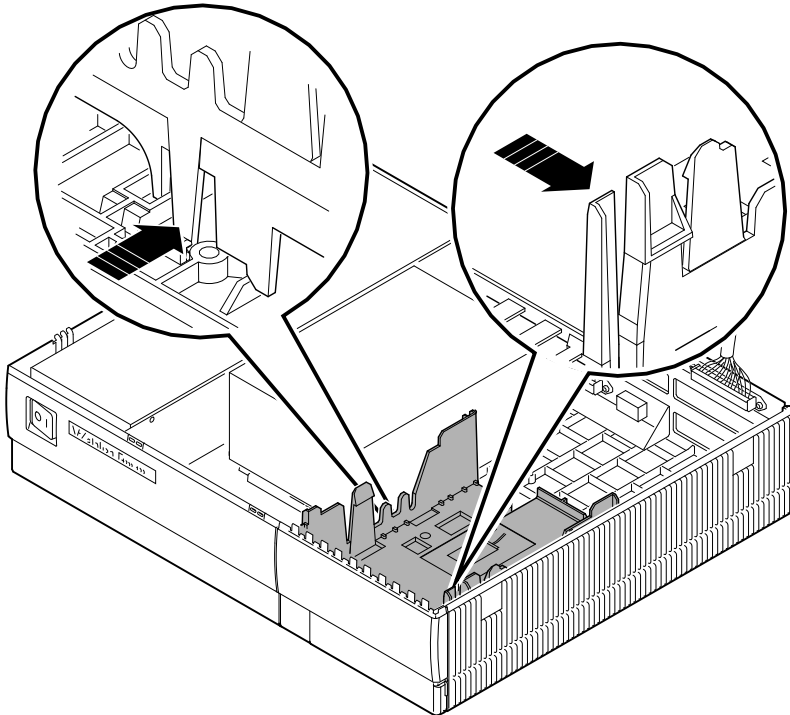
Warning

When removing or replacing the removable media bracket, do not touch the sharp plastic edges on the top edge of the bezel.

2.3.2 Remove the Removable Media Bracket

Remove the bracket from the system unit by simultaneously releasing the cantilever catches (as shown in Figure 2-5) and lifting the bracket straight up. Pulling up hard will not break the bracket.

Figure 2-5 Removing the Removable Media Bracket

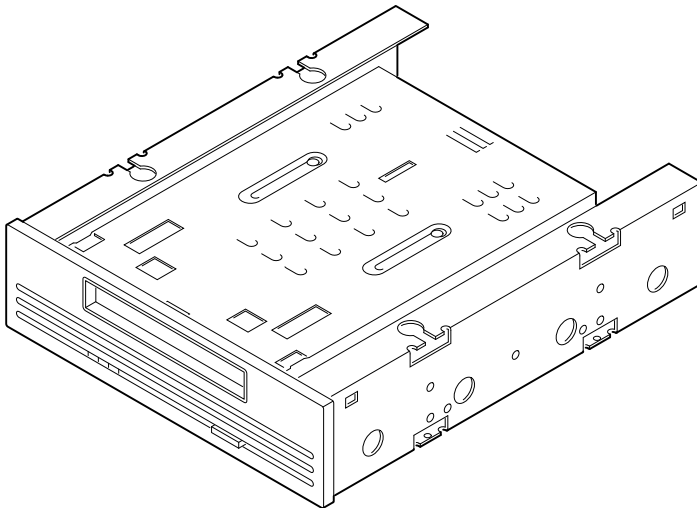


MLO-009217

2.4 Adding the TLZ06 Cassette Tape Drive Assembly

The TLZ06 cassette tape drive is shown in Figure 2-6.

Figure 2-6 TLZ06 Cassette Tape Drive Assembly



MLO-009211

Table 2–2 provides an overview of the TLZ06 installation steps. The sections following the table explain each step in detail.

Table 2–2 Installation Steps for the TLZ06 Tape Drive

1. Set the SCSI ID, if necessary.	
2. Remove the front bezel.	
3. Replace the appropriate front bezel.	
4. To install one drive	To install two drives
<ul style="list-style-type: none"> a. Install the removable media bracket. b. Put the TLZ06 into the removable media bracket. 	<ul style="list-style-type: none"> a. Remove the removable media bracket from the expansion box. b. Remove the metal plate from the bottom of the TLZ06. c. Put the TLZ06 into the top slot of the metal bracket.¹ d. Install the EMP strap. e. Put the TLZ06 in the bottom slot of the metal bracket. f. Mount the metal bracket in the expansion box.
5. Connect the SCSI and power cables.	
¹ If installing an RRD42, put the RRD42 into the top slot and the TLZ06 into the bottom slot.	

2.5 Setting the SCSI ID

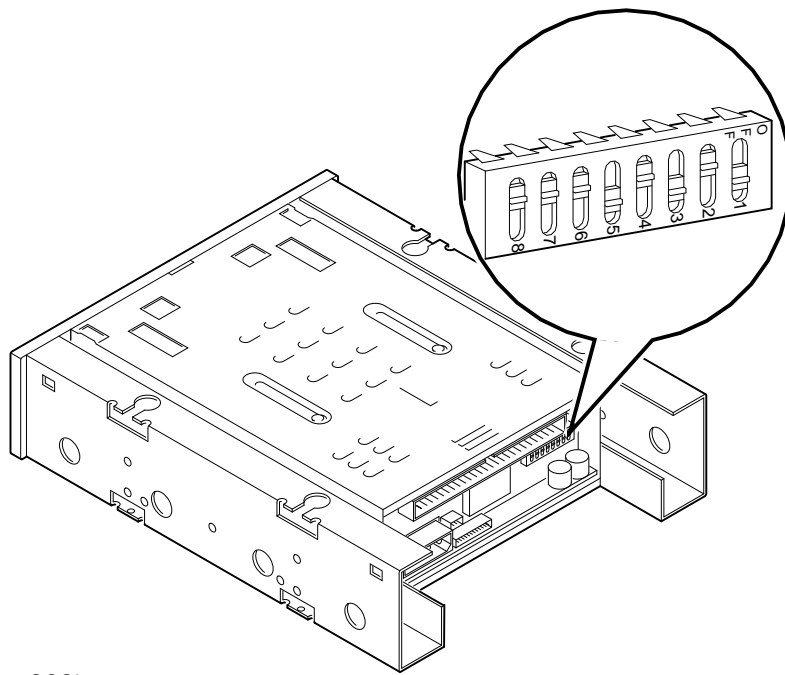
You do not need to change the SCSI ID unless your system is configured with more than one TLZ06 or you have another device set to SCSI address 5.

Set the SCSI ID on the TLZ06 by following these steps:

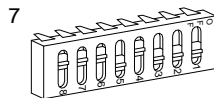
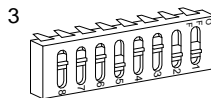
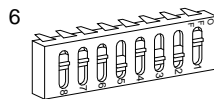
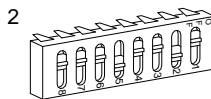
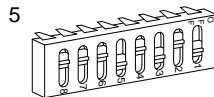
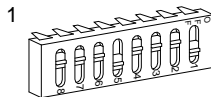
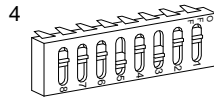
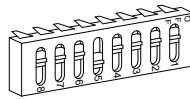
1. Locate the SCSI ID switches on the rear of the TLZ06 tape drive, as shown in Figure 2-7.
2. Set the SCSI ID. Switches 3, 2, and 1 allow you to select a unique SCSI address for each drive. When switches 3, 2, and 1 are set down/up/down, as shown in Figure 2-7, the drive is set for SCSI address 5, the default address for a tape drive. See Table 2-3 for the recommended SCSI address for various drives.

Do not use jumper pins for this drive.

Figure 2-7 Locating the TLZ06 Drive SCSI ID Switches



SCSI
Settings: 0



MLO-009212

Table 2–3 Recommended TLZ06 Switch Settings

Drive Type	Recommended SCSI Address	3	2	1
RZ25	0			
RZ25	1			
RZ25	2			
Factory-installed RZ25	3			
RRD42	4			
RX26/TZK10/TLZ06	5	Down	Up	Down
SCSI controller	6			
(High-priority drive)	7			

Caution

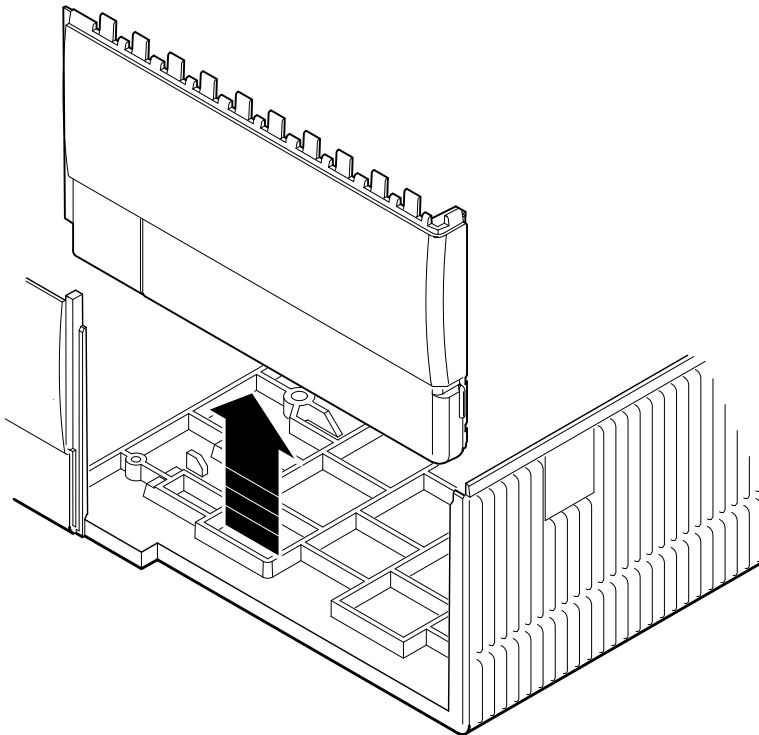
Each device must have a unique SCSI ID. Never set two devices to the same SCSI ID; the system will not be able to communicate with the devices.

2.6 Removing and Replacing a Front Bezel

A front bezel for the expansion box comes with each removable media device you order. Bezels allow access to removable media devices installed in the expansion box.

You will need to change the bezel if you are adding a removable media device. To remove a front bezel from the expansion box, hold the expansion box still, grip the upper half of the bezel, and pull upwards, as shown in Figure 2–8.

Figure 2-8 Removing a Front Bezel



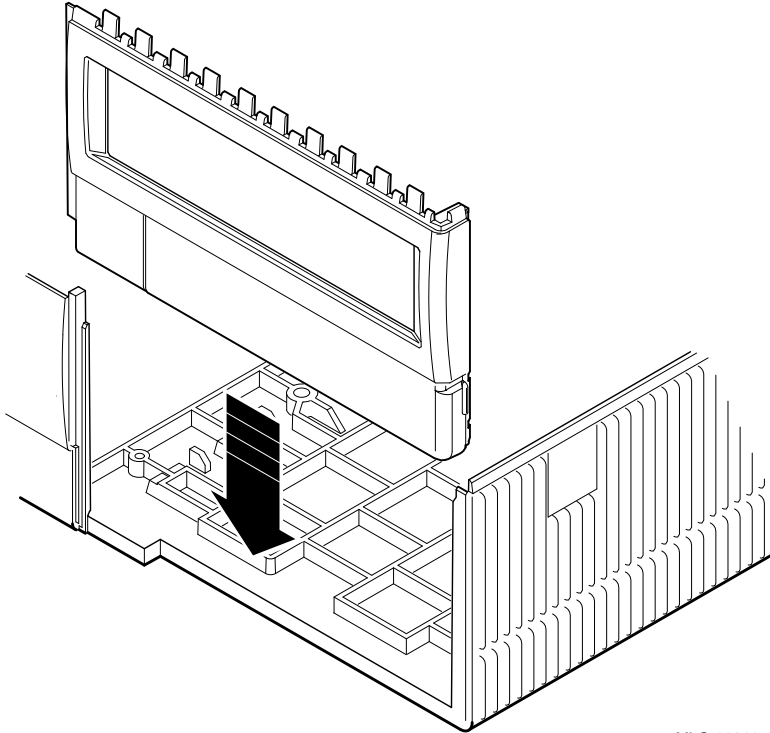
MLO-008105

To insert the new front bezel in the expansion box, follow these steps.

Figure 2–9 shows a single tape bezel being inserted. Figure 2–10 shows a bezel that accommodates two tapes being inserted.

1. Facing the expansion box, line up the bezel's right-side rib with the corresponding expansion box opening groove.
2. Line up the bezel's left-side groove with the corresponding expansion box opening rib.
3. Push the bezel down into the opening until it is firmly seated in place on the expansion box.

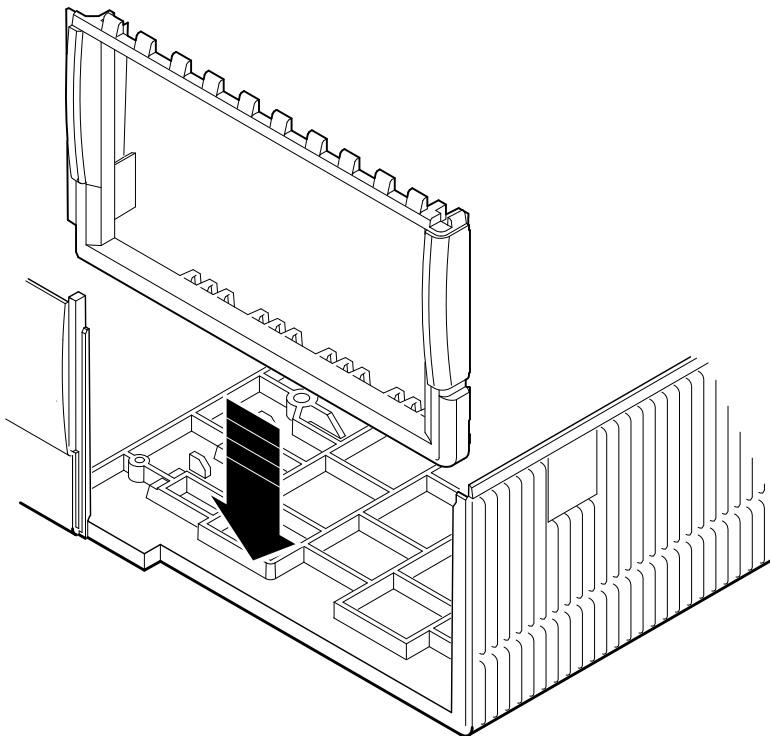
Figure 2–9 Inserting a Front Bezel for a Single TLZ06



MLO-008107

The bezel shown in Figure 2-10 is included in the BA46X-AB kit.

Figure 2-10 Inserting a Front Bezel for a TLZ06 and Another Removable Media Drive



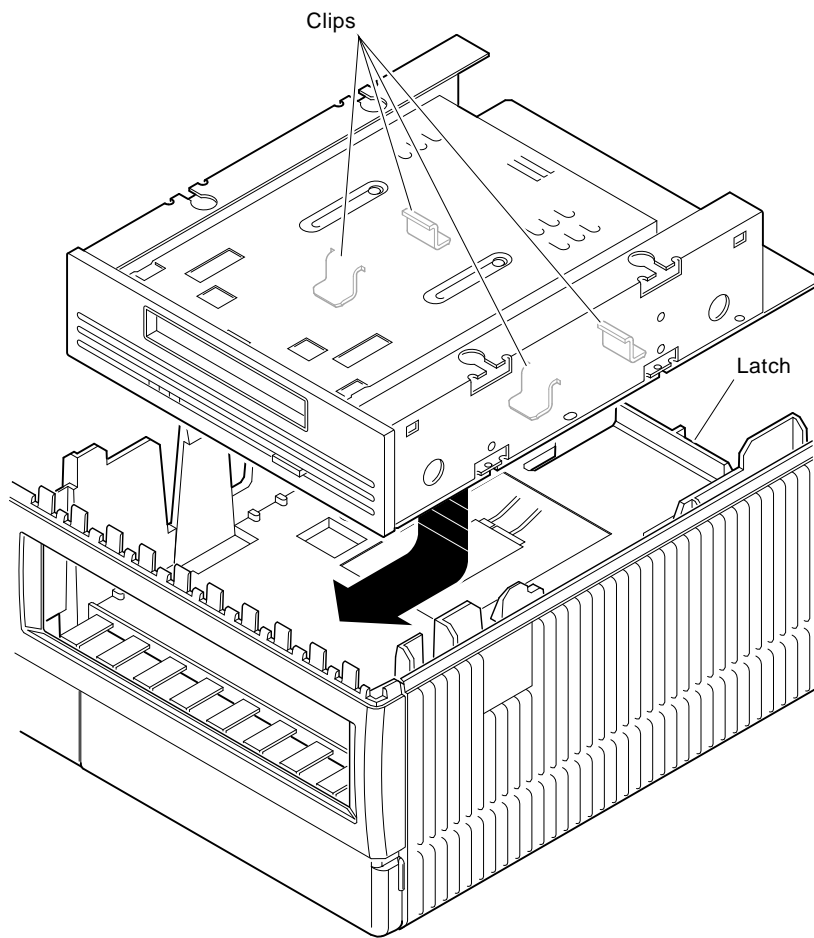
MLO-009218

2.6.1 Installing a Single TLZ06 Cassette Tape Drive into the Removable Media Bracket

If the TLZ06 will be the only removable media drive inside your expansion box, mount it inside the removable media bracket. The removable media bracket is installed inside the expansion box.

Place the TLZ06 drive into the removable media bracket inside the expansion box, as shown in Figure 2–11, and slide the drive forward.

Figure 2-11 Mounting the TLZ06 into the Removable Media Bracket



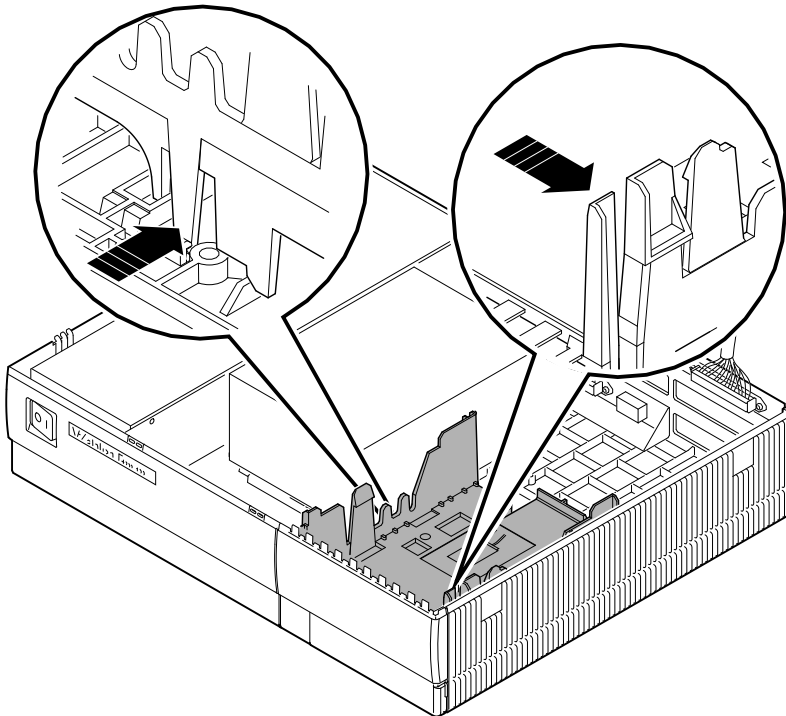
MLO-009213

2.7 Installing the TLZ06 Cassette Tape Drive with Another Removable Media Device

To install two devices in your expansion box, you need the metal bracket that is included in the BA46X-AB kit. This kit is ordered separately.

1. First remove the removable media bracket by releasing the blue cantilever catches on the bracket inward as shown in Figure 2-12. Then pull the bracket up and set it aside.
2. Remove the metal plate from the bottom of the TLZ06.

Figure 2-12 Removing the Removable Media Bracket from the Expansion Box

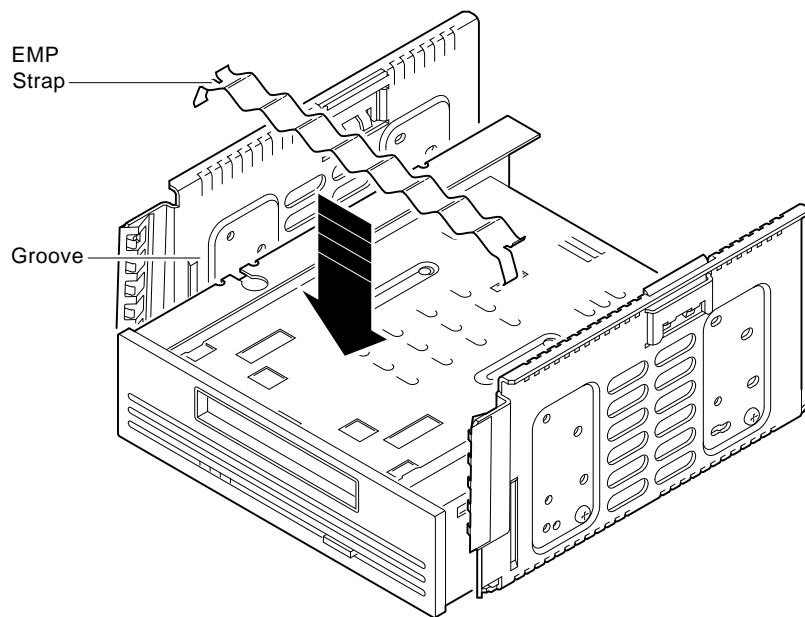


MLO-009217

3. Insert the TLZ06 drive into the top slot of the metal bracket (unless you are also installing an RRD42 compact disk drive. Then the RRD42 goes into the top slot and the TLZ06 goes into the bottom slot.).

5. Place the metal electromagnetic pulse (EMP) strap across the top of the TLZ06 drive as shown in Figure 2-14. This strap is in the BA46X-AB kit.

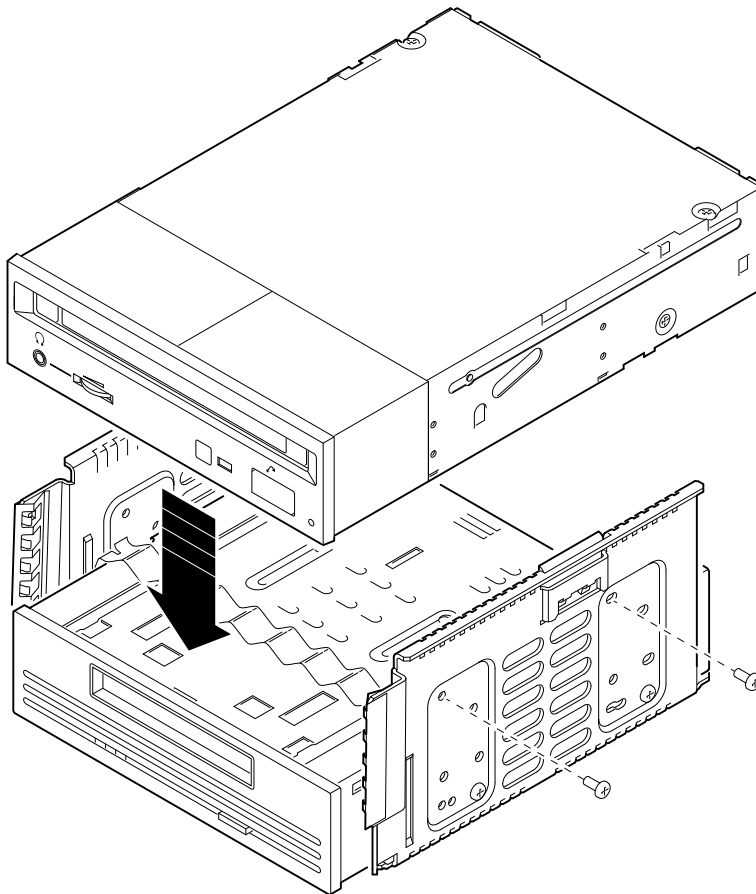
Figure 2-14 Placing the EMP Strap on the TLZ06 Drive



MLO-009215

6. Insert the other drive in the top half of the metal bracket. Align the frontmost screw hole on the RRD42 drive with screw hole A on each side of the metal bracket. Insert the first screw into hole A on each side. Then insert the remaining screws in the corresponding holes and tighten them all, as shown in Figure 2–15.

Figure 2–15 Mounting Another Drive Inside the Metal Bracket (the RRD42 is shown)

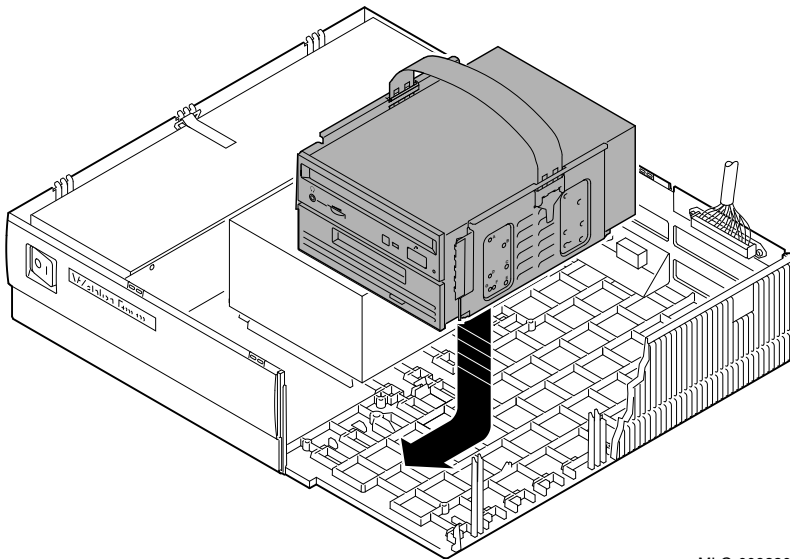


MLO-009216

Mount the drive inside the expansion box as follows:

1. Install the carrying strap.
2. Locate the following parts:
 - The mounts on the bottom of the metal bracket
 - The mount openings on the bottom of the expansion box
3. Holding the carrying strap, place the drive into the expansion box as shown in Figure 2-16.

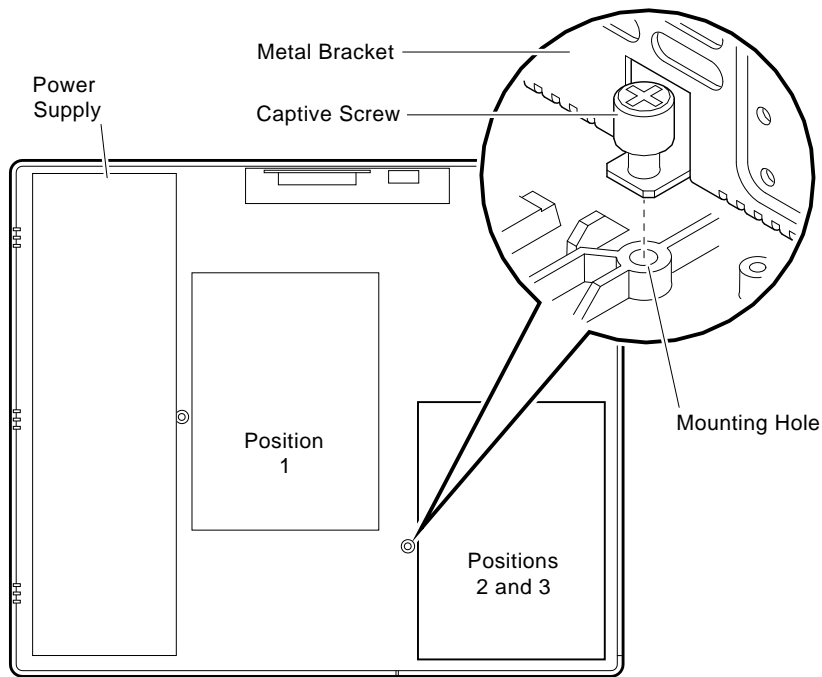
Figure 2-16 Mounting the Drive Inside the Expansion Box



MLO-009220

- Secure the captive screws as shown in Figure 2-17.

Figure 2-17 Securing the Captive Screws

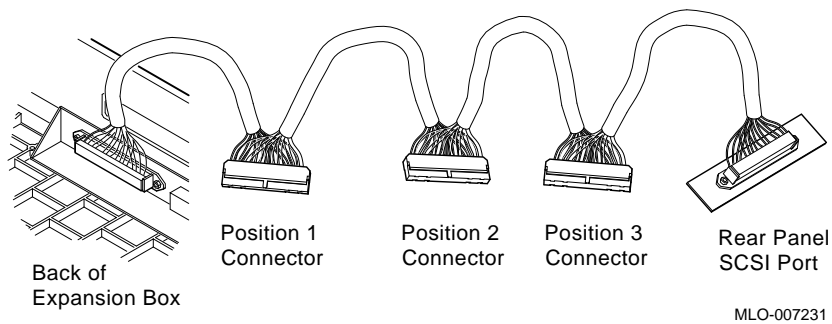


MLO-009373

2.7.1 Connecting the SCSI and Power Cables

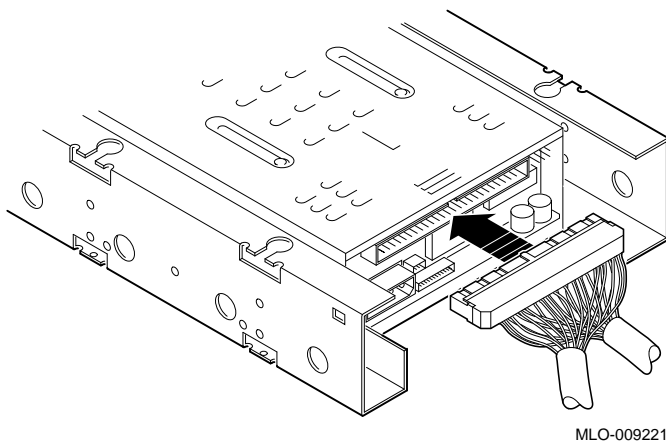
1. Locate the SCSI cable (shown in Figure 2-18) inside the expansion box. Use the connector for either Position 2 or 3, depending upon your expansion box configuration.

Figure 2-18 SCSI Cable and Connectors



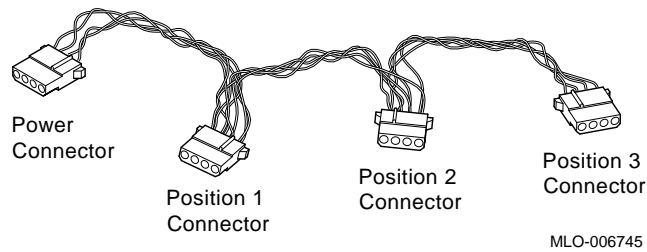
2. Connect the SCSI cable to the TLZ06 SCSI port, as shown in Figure 2-19, so that the keyed side of the connector faces up, away from the tape drive.

Figure 2-19 TLZ06 SCSI Connection



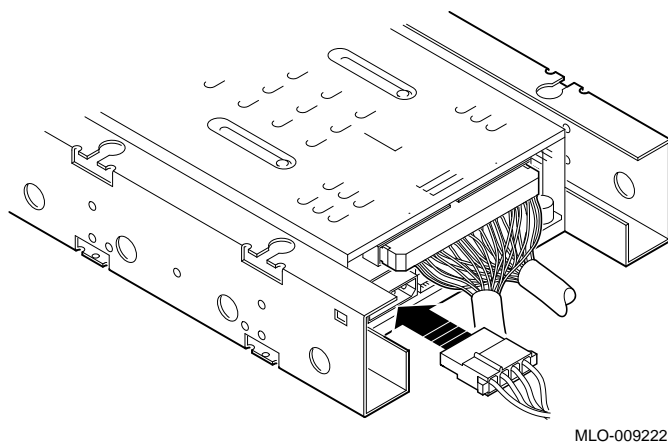
3. Locate the power cable (shown in Figure 2–20) inside the expansion box. Choose the power connector closest to the drive. Note that the connector has a raised, off-center key on one side (see Figure 2–21).

Figure 2–20 Power Cable and Connectors



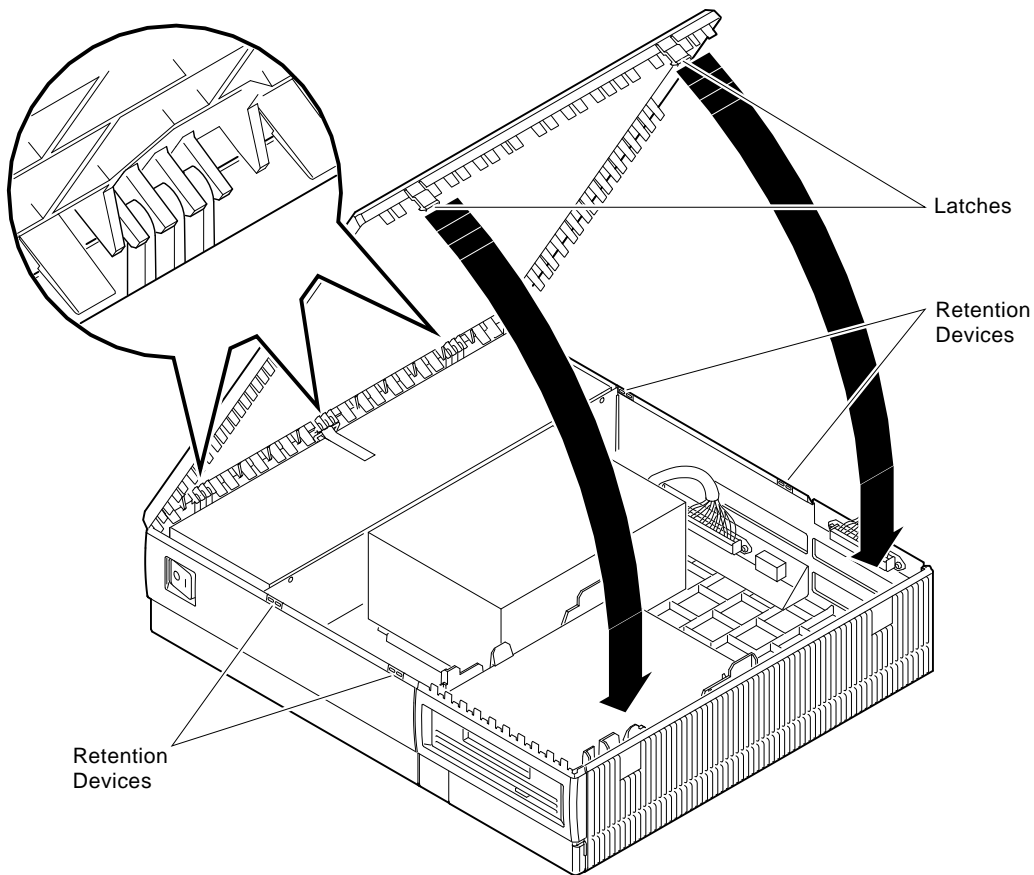
4. Connect the power connector to the TLZ06 drive so that the raised keys are aligned (see Figure 2–21).

Figure 2–21 TLZ06 Power Connection



5. Replace the expansion box cover as shown in Figure 2–22.
Mesh the hinge teeth of the cover with the hinge teeth on the left side of the expansion box, then lower the cover. The cover latches should click into place. Press firmly on the middle of the front and rear edges of the cover until you hear the retention devices click.

Figure 2–22 Replacing the Expansion Box Cover



MLO-009223

Note

After you have added the TLZ06 tape drive, you should use diagnostic tests, such as the power-up and configuration displays, to determine whether the new option is connected correctly. See your system owner's manual for more information on diagnostic test displays.

Index

B

BA46 Storage Expansion Box Owner's Guide
part number for, 2-1

BA46X-AB kit
purpose of, 2-1

Bezel
for two media drives, 2-15
installing on expansion box (fig.), 2-14
installing on system unit (fig.), 1-13
removing from the expansion box (fig.),
2-13
removing from the system unit (fig.),
1-11

C

Captive screws
securing (fig.), 2-23

Console mode
accessing, 1-1

CPU board
location of (fig.), 1-9

D

Devices
locations in the expansion box, 2-5
safety precautions about, 2-3
sequence for adding, 2-3

Diagnostics board
removing (fig.), 1-10
replacing (fig.), 1-14

Drive kit
contents of, 1-1
Drive kit, contents of, 2-1

E

EMP strap
placing on TLZ06 drive, 2-20

Expansion box
device locations in, 2-5
opening (fig.), 2-4
power supply, 2-4
removing the bezel from (fig.), 2-13
replacing the cover (fig.), 2-26
SCSI connectors (fig.), 2-24
suggested configurations for (tab.), 2-5

H

Halt button
location of (fig.), 1-2

O

On/Off switch
off (O) position, 2-3

P

Power cable
connecting to TLZ06 in the expansion box
(fig.), 2-25

Power cables
connecting to TLZ06 in the system unit
(fig.), 1-19

Power cables (cont'd)
in the system unit (fig.), 1-18
Power cord
disconnecting external, 2-3
Power supply
in expansion box, 2-4

R

Removable media bracket
inserting TLZ06 in (fig.), 1-16, 2-17
location of in system unit (fig.), 1-7, 2-6
mounting the second drive in (fig.), 2-21
removing from expansion box (fig.), 2-18
removing from the system unit (fig.), 1-8,
2-7
Removable media devices
installing two in the expansion box, 2-18
kit number for installing two, 2-1

S

SCSI connectors
disconnecting, 2-3
in the expansion box (fig.), 2-24

in the system unit (fig.), 1-17
to TLZ06 in expansion box (fig.), 2-24
to TLZ06 in the system unit (fig.), 1-18
SCSI ID switches
location of (fig.), 1-5, 2-11
recommended settings for (tab.), 1-6,
2-12
Static discharge
avoiding, 1-3
System
sequence for shutting down, 1-2
System configuration
purpose of reviewing, 2-2
System unit cover
opening (fig.), 1-3
replacing (fig.), 1-20

T

TLZ06 cassette tape drive (fig.), 2-8
TLZ06 Cassette Tape Drive Owner's Manual
part number for, 1-1, 2-1
TOUCH HERE space
purpose of, 1-3