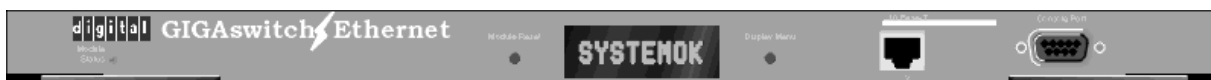


---

## DIGITAL GIGAswitch/Ethernet System Installing the Switch Control Processor Module

### Introduction

This document describes how to install the switch control processor (SCP) module into the GIGAswitch/Ethernet system:



The SCP module is responsible for address learning, address cache management, spanning tree management, and network management including the web agent. The system can support up to two SCP modules for fault-tolerant installations.

---

#### NOTE

Redundant installations of the SCP module require the proper version of firmware. Check the release notes, or contact your DIGITAL representative or distributor, to determine if your system can support a second SCP module.

---

### Installation Procedure

#### Overview

This document describes the following processes:

- [Making Sure That You Have Enough Power Available](#)
- [Installing the Module](#)
- [Installing SCP Module Cables](#)
- [What to Do Next](#)

## Making Sure That You Have Enough Power Available

Each power supply in the GIGAswitch/Ethernet system powers approximately three media cards. It takes two power supplies to power a full chassis. Using three power supplies ensures that the system has fault-tolerant, load-sharing power capabilities. The precise value for the SCP module is listed below:

### Power Values for System Devices

Device	Power Added/Used
Power supply	+400 W
Backplane elements	-50 W
20-port 10/100 module	-70 W
<b>Switch control processor module</b>	<b>-10 W</b>
2-port gigabit module	-35 W
4-port gigabit module	-55 W
10-port 100BASE-FX module	-50 W

Select **Power System** from the left side of the web agent menu to determine how much power is currently available in your system.

## Installing the Module

All modules are hot swappable. You do not need to shut down the switch when installing an SCP module.

---

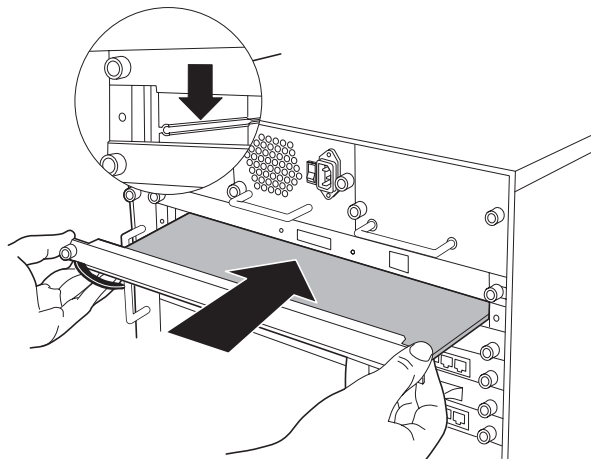
### CAUTION

Static electricity can damage modules and electronic components. DIGITAL recommends using a grounded antistatic wrist strap and a grounded work surface when handling any modules.

---

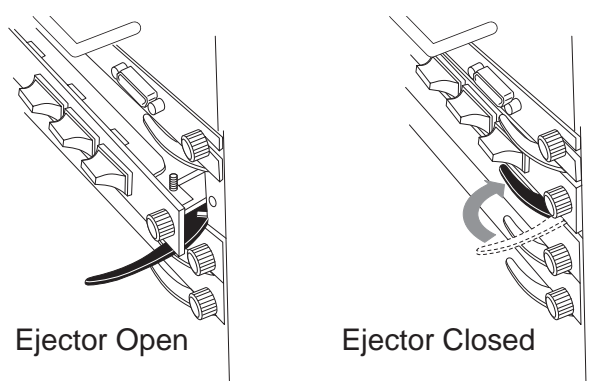
To install an SCP module in the switch chassis:

Step	Action
1	Carefully remove the module from its box, leaving the module in its antistatic wrapping.
2	After taking appropriate antistatic precautions, carefully remove the module from the antistatic wrap. (Refer to the <i>DIGITAL GIGAswitch/Ethernet System Installation and Operation Guide</i> for information about proper antistatic precautions.)
3	Insert the SCP module into the switch. In single-module configurations, the SCP module goes in the top, or first, slot. A second SCP module goes in the second slot.



Step	Action
------	--------

4 Push the module all the way into the switch chassis, then use the ejectors to lock the module into the switch backplane as shown below:



5 Tighten the black captive screws on the module.

As the SCP module powers on, the 8-character LED display on the module should read: Digital GIGAswitch/Ethernet Agent v1.x.x. The LEDs should function as described in the *Installation and Operation Guide*. In general, you should observe the following on a properly functioning SCP module:

LED	Normal Behavior
Module Status	Solid green, indicating normal operation.
Activity	Not illuminated, or intermittently flashing yellow to indicate traffic.
Link	Not illuminated until a valid link is established.

Contact your DIGITAL service representative if your system indicates a failure.

**Installing SCP Module Cables**

Install the appropriate cables for your network configuration using the following ports on the SCP module. Refer to the *Installation and Operation Guide* for information about cable types and configuration.

- **Serial Console Port** — Standard DB9 connectors serial port (for out-of-band serial connection to the command line interface)
- **Ethernet Console Port** — Straight-through 10BASE-T port (for IP connection to the web agent)

**What to Do Next**

If you are unfamiliar with the features and functions of the GIGAswitch/Ethernet System, refer to the *Installation and Operation Guide*. Consult the guide for information about setup and configuration.

## For More Information

Refer to the *DIGITAL GIGAswitch/Ethernet System Installation and Operation Guide* for safety, product specification, and regulatory compliance information. The guide is available in online format on the DIGITAL GIGAswitch/Ethernet System Information Library CD. This information is also available on the DIGITAL Network Products Home Page on the World Wide Web at:

**North America:** <http://www.networks.digital.com>  
**Europe:** <http://www.networks.europe.digital.com>  
**Asia Pacific:** <http://www.networks.digital.com.au>

Follow the Technical Information link find out about the latest firmware, manuals, and more for the GIGAswitch/Ethernet system.