



---

## DIGITAL GIGAswitch/Ethernet System Installing Power Supplies

### Introduction

Each power supply in the DIGITAL GIGAswitch/Ethernet system can power approximately three I/O modules. It takes two power supplies to power a full chassis. Using three power supplies ensures that a full system has fault-tolerant, load-sharing power capabilities. See [System Power Requirements on page 5](#) for more information.

### Power Supply Configurations

The GIGAswitch/Ethernet system can use one of the following types of power supply:

- **Type A** — Power supply that is factory set to 120 V or 240 V, depending on your region's voltage requirements.
- **Type B** — Universal power supply that senses and automatically switches to your region's voltage requirements.

---

#### CAUTION

Type A and B power supplies cannot be installed together in the same chassis. The system will not power up properly if the two types are mixed.

---

---

#### ACHTUNG

Netzteile des Typs A und B können nicht zusammen im selben Gehäuse installiert werden. Das System läßt sich nicht richtig einschalten, wenn die beiden Typen gemischt werden.

---

---

#### ATTENTION

Vous ne pouvez pas installer ensemble les alimentations de type A et B sur le même chassis. Si ces deux types sont associés, le démarrage du système ne s'effectuera pas correctement.

---

---

#### PRECAUCIÓN

Las fuentes de alimentación de Tipo A y B no se pueden instalar juntas en el mismo chasis. El sistema no se accionará correctamente si se mezclan los dos tipos.

---

For multiple power supply installations in a chassis, each supply must be as shown below:

### Types of Power Supplies Required for Redundant Installation

Region	GIGAswitch/Ethernet System Chassis*		
	Bay 3	Bay 2	Bay 1
Europe and U.S.	<b>Type B</b> Part number DGBGP-AA Universal autoswitching 120/240 V, 400 W	<b>Type B</b> Part number DGBGP-AA Universal autoswitching 120/240 V, 400 W	<b>Type B</b> Part number DGBGP-AA Universal autoswitching 120/240 V, 400 W
U.S. only	<b>Type A</b> Part number DGBGP-AB Factory set 120 V, 400 W	<b>Type A</b> Part number DGBGP-AB Factory set 120 V, 400 W	<b>Type A</b> Part number DGBGP-AB Factory set 120 V, 400 W
Europe only	<b>Type A</b> Part number DGBGP-AC Factory set 240 V, 400 W	<b>Type A</b> Part number DGBGP-AC Factory set 240 V, 400 W	<b>Type A</b> Part number DGBGP-AC Factory set 240 V, 400 W

\*Shown with maximum power supply configuration. For configurations using two power supplies, the second supply may be installed in either bay 2 or bay 3.

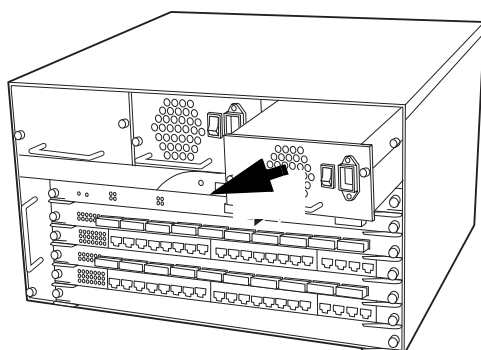
Type A and B power supplies are interchangeable and may be swapped as long as all supplies in the system are of the same type. If you wish to swap power supplies, contact your DIGITAL representative or distributor.

To verify the type of power supply currently installed in your system, see [Verifying the Installation on page 5](#).

### Removal Procedure

To remove a power supply in order to replace it or swap one type for another, complete the following steps:

- | Step | Action   |
|------|--|
| 1    | Make sure that the ON/OFF switch on the power supply is OFF and the power cord is removed. |
| 2    | Unfasten the captive screws securing the power supply.                                     |
| 3    | Remove the supply from the system as shown below:  |



## Installation Procedure

---

### CAUTION

Static electricity can damage modules and electronic components. DIGITAL recommends using a grounded antistatic wrist strap and a grounded work surface when handling any modules.

---

---

### ACHTUNG

Module und elektronische Komponenten können durch elektrostatische Entladungen beschädigt werden. Benutzen Sie immer eine antistatische Gelenkmanschette und eine geerdete Arbeitsunterlage, wenn Sie am offenen Gerät arbeiten.

---

---

### ATTENTION

Les charges excessives d'électricité statique peuvent endommager les modules et les composants électroniques. DIGITAL conseille l'utilisation d'un bracelet de masse et d'un plan de travail mis à la terre lors de la manipulation des modules.

---

---

### PRECAUCIÓN

La electricidad estática puede dañar los componentes electrónicos y los módulos. DIGITAL recomienda que se utilicen cintas de pasadores y superficies de trabajo conectadas a tierra al trabajar con cualquier módulo.

---

To install a power supply into the switch chassis, complete the following steps:

---

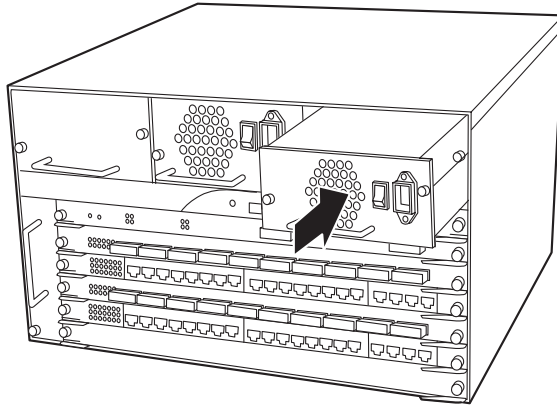
Step	Action
1	Carefully remove the power supply from the shipping box, leaving the power supply in its antistatic wrapping.
2	After taking appropriate antistatic precautions, carefully remove the power supply from the antistatic wrap. (Refer to the <i>DIGITAL GIGAswitch/Ethernet Installation and Operation Guide</i> or <i>Quick Start</i> for information about the proper antistatic precautions.)
3	Make sure that the ON/OFF switch on the power supply is off.
4	Remove the blank plate from the power supply bay. <u>Note:</u> The power supply can be inserted into any available bay.

---

Step	Action
------	--------

---

5 Insert the power supply into the system as shown below:



6 Make sure that the power supply is seated firmly, with the captive screws tightened.

---

## Powering On the Supply

To connect the power supply, complete the following steps. See [Power Cords on page 6](#) for power cord descriptions.

---

Step	Action
------	--------

---

- 1 Make sure that the ON/OFF switch on the power supply is OFF.
  - 2 Plug the power cord into the power supply.
  - 3 Plug the power cord into an ac outlet.
  - 4 Set the ON/OFF switch on the power supply to ON.
- 

---

### NOTES

For maximum fault tolerance, make sure that the power supplies in the GIGAswitch/Ethernet system are plugged into separate power sources.

---

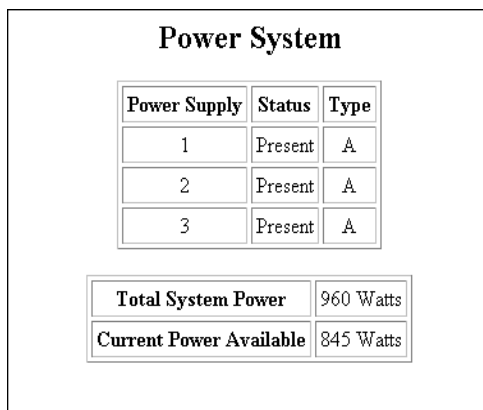
Do not wrap power cords through the handles on the system. Dressing the cords this way can interfere with hotswapping options in the system.

---

## Verifying the Installation

To verify the installation, complete the following steps:

- 
- | Step | Action  |
|------|---|
| 1    | Launch the web agent. (Refer to the <i>DIGITAL GIGAswitch/Ethernet System Installation and Operation Guide</i> or <i>Quick Start</i> for details on using the web agent.)   |
| 2    | From the menu on the left side of the web browser, select <b>Power System</b> . The display lists the status of installed power supplies as “Present,” shows the type, and increases the total system power for newly added power supplies accordingly. |



The screenshot shows a web interface titled "Power System". It contains a table with three columns: "Power Supply", "Status", and "Type". The table lists three power supplies, all with a status of "Present" and type "A". Below this table, there are two summary rows: "Total System Power" with a value of "960 Watts" and "Current Power Available" with a value of "845 Watts".

Power System		
Power Supply	Status	Type
1	Present	A
2	Present	A
3	Present	A

Total System Power	960 Watts
Current Power Available	845 Watts

Note: Type A indicates a power supply with factory-set voltage; type B indicates a universal, autosensing power supply. *All supplies installed must be of the same type.*

---

Contact your DIGITAL service representative if verification fails.

## System Power Requirements

The following table lists power use values for components of the GIGAswitch/Ethernet system. Use this information to determine when to add more power supplies.

---

Component	Power Added/Used
Power supply	+400 W
Backplane elements	-50 W
20-port 10/100 module	-70 W
Switch control processor	-10 W
2-port gigabit module	-35 W
4-port gigabit module	-55 W
10-port 100BASE-FX module	-50 W

---

## Power Cords

The following table lists power cords for use with the GIGAswitch/Ethernet system. Contact your local DIGITAL representative or distributor to order.

Country	Power Cord Description	Order Number
U.S., Canada, Japan, Puerto Rico, Mexico, Korea, Thailand	15 A, 75 in, gray	BNE4H-2E
Argentina, Australia, New Zealand	10 A, 2.5 m, gray	BN19H-2E
Central Europe*, Brazil, Chile	10 A, 2.5 m, gray	BN19C-2E
Hong Kong, Ireland, Singapore, UK	10 A, 2.5 m, gray	BN19A-2E
Switzerland	10 A, 2.5 m, gray	BN19E-2E
Denmark	10 A, 2.5 m, gray	BN19K-2E
Italy	10 A, 2.5 m, gray	BN19N-2E
India, South Africa	10 A, 2.5 m, gray	BN19S-2E
Israel	10 A, 2.5 m, gray	BN19L-2E

\*Central Europe includes Austria, Belgium, France, Germany, Finland, Norway, Sweden, and Spain.

## For More Information

Refer to the *DIGITAL GIGAswitch/Ethernet System Installation and Operation Guide* for safety, product specification, and regulatory compliance information. The guide is available in online format on the DIGITAL GIGAswitch/Ethernet System Information Library CD. This information is also available on the DIGITAL Network Products Home Page on the World Wide Web at:

**North America:** <http://www.networks.digital.com>  
**Europe:** <http://www.networks.europe.digital.com>  
**Asia Pacific:** <http://www.networks.digital.com.au>