

---

## DIGITAL GIGAswitch/Ethernet System Replacing the Fan Tray

### Introduction

This document describes how to replace the fan tray assembly in the GIGAswitch/Ethernet system, and check that its fans are operational. All fans in the fan tray must be operational to ensure proper cooling in the system. For information about checking the system's temperature, refer to the *DIGITAL GIGAswitch/Ethernet System Installation and Operation Guide*.

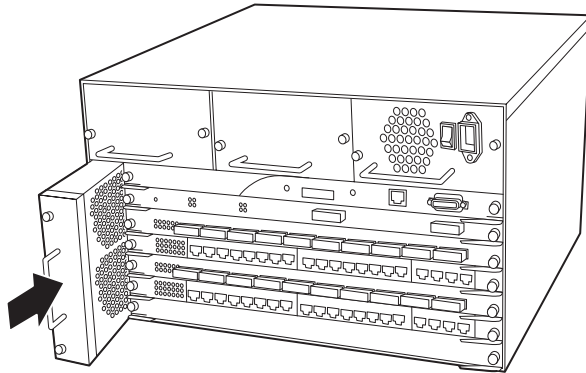
### Installation Procedure

All GIGAswitch/Ethernet modules are hot swappable. You do not need to shut down the switch when changing the fan tray. To install a fan tray into the switch chassis, complete the following steps:

---

Step	Action
1	Carefully remove the fan tray assembly from its packaging.
2	Loosen the black captive screws on the currently installed fan tray, then remove the fan tray assembly from the system.
3	Insert the new fan tray into the system as shown below:

---



---

4	Make sure that the fan tray is seated firmly, with the captive screws tightened.
---	--

---

## Verifying the Installation

To verify the installation, complete the following steps:

---

Step	Action
1	Launch the web agent. (Refer to the <i>DIGITAL GIGAswitch/Ethernet System Installation and Operation Guide</i> or <i>Quick Start</i> for details on using the web agent.)
2	From the menu on the left side of the web browser, select <b>Cooling System</b> . The display lists the newly added fan's status as "Operational."

---

Cooling System	
Fan	Status
Module Fan Pair 1	Operational
Module Fan Pair 2	Operational
Fabric Fan 1	Operational
Fabric Fan 2	Operational

---

## For More Information

Refer to the *DIGITAL GIGAswitch/Ethernet System Installation and Operation Guide* for safety, product specification, and regulatory compliance information. The guide is available in online format on the DIGITAL GIGAswitch/Ethernet System Information Library CD. This information is also available on the DIGITAL Network Products Home Page on the World Wide Web at:

**North America:** <http://www.networks.digital.com>  
**Europe:** <http://www.networks.europe.digital.com>  
**Asia Pacific:** <http://www.networks.digital.com.au>