

DECserver 900GM

Installation

Part Number: EK-DSRVY-IN. B01

June 1995

This manual describes how to install the DECserver 900GM module.

Revision/Update Information: This is a new manual.

Copyright

June 1995

The information in this document is subject to change without notice and should not be construed as a commitment by Digital Equipment Corporation. Digital Equipment Corporation assumes no responsibility for any errors that may appear in this document.

Copyright © 1995 by Digital Equipment Corporation
All rights reserved. Printed in U.S.A.

The postage-paid Reader's Comments form at the back of this document requests your evaluation of this document to assist us in preparing future documentation.

The following are trademarks of Digital Equipment Corporation: DEC, DECconcentrator, DECconnect, DEChub, DEChub ONE, DECndu, DECndu Plus, Digital, HUBwatch, MultiSwitch, OpenVMS, ULTRIX, VAX, VMS, and the DIGITAL logo.

AT&T is a registered trademark and ST is a trademark of American Telephone and Telegraph Company. MS-DOS is a registered trademark of Microsoft Corporation.

All other trademarks are the property of their respective owners.

FCC NOTICE — Class A Computing Device:

This equipment generates, uses, and may emit radio frequency energy. The equipment has been type tested and found to comply with the limits for a Class A computing device pursuant to Subpart J of Part 15 of FCC Rules, which are designed to provide reasonable protection against such radio frequency interference when operated in a commercial environment. Operation of this equipment in a residential area may cause interference; in which case, measures taken to correct the interference are at the user's expense.

VCCI NOTICE — Class 1 Computing Device:

This equipment is in the 1st Class category (information equipment to be used in commercial and/or industrial areas) and conforms to the standards set by the Voluntary Control Council for Interference by Data Processing Equipment and Electronic Office Machines aimed at preventing radio interference in commercial and/or industrial areas. Consequently, when used in a residential area or in an adjacent area thereto, radio interference may be caused to radios and TV receivers. Read the instructions for correct handling.

LASER NOTICE – Class 1 Laser Device:

The lasers in this equipment are Class 1 devices, compliant with CDRH Rules 22, CFR Subchapter J, Part 1040.10, at date of manufacture. Class 1 laser devices are not considered to be hazardous.

CE NOTICE – Class A Computing Device:

Warning!

This is a Class A product. In a domestic environment this product may cause radio interference, in which case the user may be required to take adequate measures.

Achtung!

Dieses ist ein Gerät der Funkstörgrenzwertklasse A. In Wohnbereichen können bei Betrieb dieses Gerätes Rundfunkstörungen auftreten, in welchen Fällen der Benutzer für entsprechende Gegenmaßnahmen verantwortlich ist.

Attention!

Ceci est un produit de Classe A. Dans un environnement domestique, ce produit risque de créer des interférences radioélectriques, il appartiendra alors à l'utilisateur de prendre les mesures spécifiques appropriées.

Contents

Safety	v
Introduction	1
Features	2
Front Panel	3
Back Panel	5
Installing the Module	6
Installing Flash RAM	9
Removing the Module	10
LED Descriptions	11
Problem Solving Using the LEDs	12
Normal Powerup	12
Problem Solving	12
Problem Solving Using the Seven Segment Display	15
Cabling	16
Connector Pin Assignments	17
Bulk Connector	17
H8586-AA	19
BN41C-03	20
BN41A-03	21
BN41B-03	24
Cable Compatibility	29
H8587-AA Loopback Connector	31
Product Specifications	32
Associated Documents	34

Contents (Cont.)

Tables

1	Module LED States	11
2	Problem Solving Using the LEDs	13
3	Maximum Cable Lengths — DECserver 900GM to Devices	16
4	68-pin to Four 25-pin DB Octopus Cable Pinout	22
5	68-pin to Eight 8-pin MP Octopus Pinout	25
6	Cable Connections Compatible with the DECserver 900GM	29
7	Operating Specifications	32
8	Acoustical Specifications	33

Safety

Any warning or caution that appears in this manual is defined as follows:

WARNING	Contains information to prevent personal injury.
VORSICHT	Enthält Informationen, die beachtet werden müssen, um den Benutzer vor Schaden zu bewahren.
DANGER	Signale les informations destinées à prévenir les accidents corporels.
AVISO	Contiene información para evitar daños personales.

Safety (Cont.)

WARNING 

To avoid personal injury or damage to equipment, do not install the module into a DEChub 900 or DEChub ONE unless the module is completely assembled, with the enclosure, bezel, and all faceplates in place. [Page 6.]

VORSICHT

Um den Benutzer vor Schaden zu bewahren und eine Beschädigung des Geräts zu vermeiden, muß das Modul erst vollständig mit Gehäuse, Blende und Anschlußdose montiert werden, bevor es in ein System DEChub 900 oder DEChub ONE eingebaut wird.

DANGER

Pour éviter tout risque d'accident corporel ou de dommage à l'équipement, n'installez le module dans un DEChub 900 ou un DEChub ONE que s'il est complètement monté et que le boîtier, le couvercle et les caches ont été mis en place.

AVISO

Para evitar daños personales o al equipo, no se debe instalar el módulo en un DEChub 900 o un DEChub ONE a menos que el módulo esté completamente ensamblado, con la carcasa, la tapa y las placas de conexión en sus respectivos lugares.

Introduction

The DECserver 900GM is a network access server that uses up to 16 full modem control ports or 32 eight wire partial modem control ports to connect asynchronous devices, including terminals, printers, modems, or PCs to an Ethernet¹ local area network (LAN). It operates in a DEChub 900 MultiSwitch or as a standalone access server.

NOTE: In this manual, the term Ethernet is Digital's term for its product compatibility with the ISO 8802-3/ANSI/IEEE 802.3 standards and the Ethernet standards for Carrier Sense Multiple Access with Collision detection (CSMA/CD) local area networks (LANs).

To give your workgroup LAN media flexibility and connectivity, the module can be configured into a DEChub 900 MultiSwitch (also referred to in this manual as the DEChub 900). One or more DECserver 900GM modules can be installed into the DEChub 900 (a maximum of 8 DECservers can be present; however, to connect to the network, there must also be at least one repeater or one bridge in the configuration). The module can also serve as a standalone unit when configured with a DEChub ONE² docking station (see the *DEChub ONE installation* manual).

When the module is installed into a DEChub 900, the module's hot-swap capability allows you to install or remove the module without turning off power to the DEChub 900.

The DECserver 900GM is configured with four 68-pin D-connectors, and provides full or limited modem control. Each port supports 16 baud rates from 75 baud to 115.2 Kbaud. The DECserver 900GM includes 4 megabytes (MB) of standard memory, and can be expanded to 8 MB.

¹ In this manual, the term Ethernet is Digital's term for its product compatibility with the ISO 8802-3/ANSI/IEEE 802.3 standards and the Ethernet standards for Carrier Sense Multiple Access with Collision Detection (CSMA/CD) local area networks (LANs).

² Throughout this manual, the term DEChub ONE refers to the DEChub ONE for the DEChub ONE-M docking station unless otherwise specified.




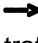
Introduction (Cont.)

Features

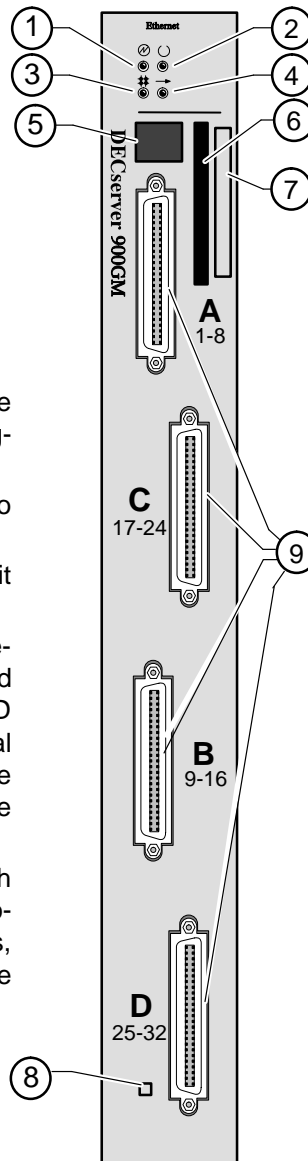
Your DECserver 900GM module includes the following features.

- Access to ThinWire 10base2 segment in the DEChub 900 MultiSwitch or in the DEChub ONE docking station.
- Backplane access to multiple LANs through one of six flexible channels in the DEChub 900.
- Automatic module self-test at powerup.
- In-band Simple Network Management Protocol (SNMP) management.
- Built-in SNMP agent supports the following management information bases (MIBs):
 - Ethernet-like Interface Type MIB (RFC 1398)
 - DEChub 900 Public Common MIB
- Manageability using any generic SNMP management application that supports the MIBs listed above.
- User-friendly advanced Graphical User Interface (GUI) manageability with Digital's HUBwatch Network Management Station (NMS) application.

Front Panel

- 1)  **Power LED** — Lights when the module has power.
- 2)  **Module OK LED** — Lights when the module passes self-test.
- 3)  **Network OK LED** — Lights when the module has an active network connection.
- 4)  **Network Activity LED** — Indicates network traffic level.
- 5) **Seven-Segment Display** — Provides error and status information. For more information, see the section titled Problem Solving Using the Seven Segment Display.
- 6) **Flash RAM Slot** — Provides an opening in which to insert the Flash RAM card.
- 7) **Address Label** — Contains the modules 48-bit Ethernet Hardware Address.
- 8) **Reset Switch** — Resets the module to factory defaults. To reset: while turning on the power, press and hold the reset switch until the Module OK LED flashes, or if the DECserver 900GM is in operational mode (the seven-segment display shows the “race track” pattern), hold the switch for 10 seconds. The module reboots with factory defaults.
- 9) **Bulk Connectors** — Four 68-pin connectors, each providing 4 full modem control ports or 8 partial modem control ports. When using all four connectors, you can configure these cables to provide ports in the following combinations:

Full	0	4	8	12	16
Partial	32	24	16	8	0



LKG-09727-941

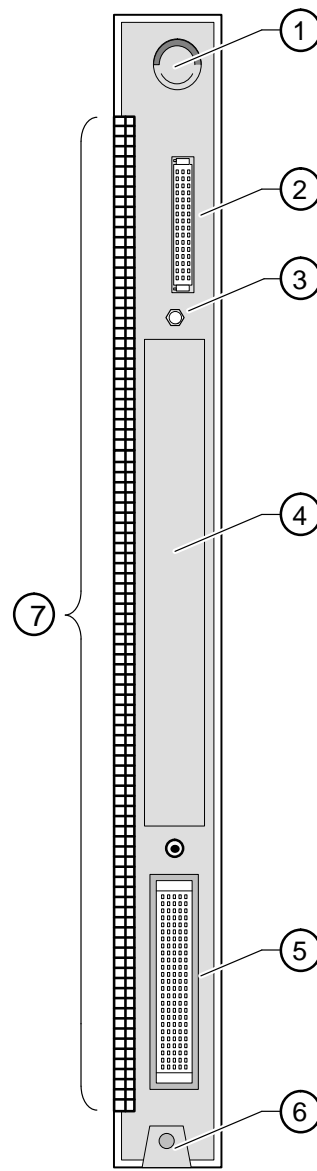
Front Panel (Cont.)

NOTES: You can mix and match port types on connectors A through D but you cannot mix port types on any single connector.

You can change port type cables at any time but you must reboot the module when you do so.

Back Panel

- 1) **Locking tab** — Locks the module in the DEChub 900 backplane or in the DEChub ONE. It also contains the hot-swap switch lever.
- 2) **48-pin connector** — Provides network and power connections to the module when the module is installed in a DEChub.
- 3) **Grounding bolt** — Provides a chassis grounding connection between the module and a DEChub.
- 4) **Manufacturing label** — Lists the module part number, serial number, revision level, and power requirements.
- 5) **160-pin connector** — Provides network and power connections to the module when the module is installed in a DEChub.
- 6) **Mounting tab** — Secures the module to the backplane when the module is installed in a DEChub.
- 7) **Grounding fingers** — Provides additional chassis grounding between the module and a DEChub.



LKG-09728-94I

Installing the Module

The module hot-swap feature allows you to install the module into the DEChub 900 MultiSwitch without turning off power to the DEChub. Seating the module initiates the powerup sequence if enough power is available.

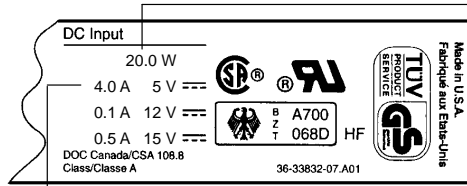
WARNING 

To avoid personal injury or damage to equipment, do not install the module into a DEChub 900 or DEChub ONE unless the module is completely assembled, with the enclosure, bezel, and all faceplates in place.

- 1 Compare your module's power requirements with the values shown in the Hub Manager status display (see examples).

If any of the module's power requirements exceed the values shown in the status display, add another power supply (see the *DEChub 900 MultiSwitch Owner's Manual*).

Module's Manufacturing Label (Example)



Hub Manager Status Display (Example)

Available: 90.5 W
5V: 13.0 A, 15V: 3.5 A

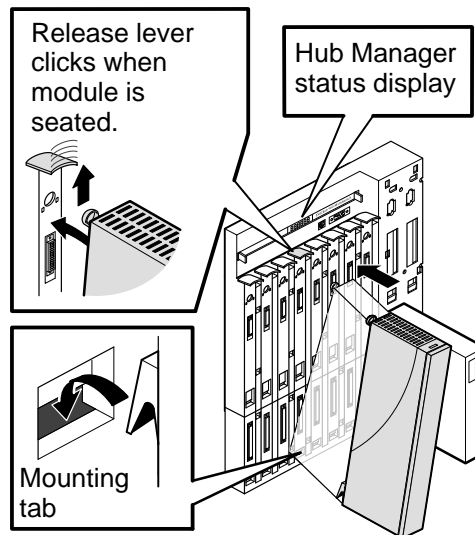
LKG-9062-941

NOTE: The 12V power in the DEChub 900 is derived from the 15V power source. Although it is listed separately in the product specifications, the 12V requirements are included in the 15V power total.

Installing the Module (Cont.)

2 Seat the module into the DEChub 900 MultiSwitch.

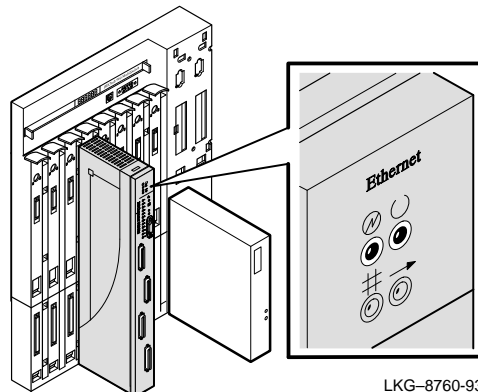
- a. Place the module's mounting tab into a mounting slot on the DEChub.
- b. Pivot the module on the mounting tab and align the connectors.
- c. Firmly push the module onto the backplane connectors until the release lever clicks.
- d. Press down on the release lever to ensure that it is locked.



LKG-8711-93I

3 Verify that the module's Power LED and the Module OK LED light (within approximately 2 minutes).

- a. The Power LED lights when the power is applied, then the module performs a self-test.
- b. After the module completes the self-test, the Module OK LED lights and remains lit.
- c. The timing depends on the amount of memory installed in the module and the length of time needed to load the network access software.



LKG-8760-93I

NOTE: Refer to the section titled Problem Solving Using the LEDs if the LEDs do not operate as described.

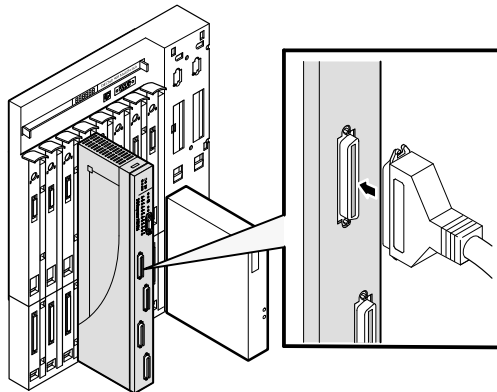
Installing the Module (Cont.)

4 Connect the port cables as required.

Connect up to four 68-pin bulk connector cables.

NOTE: All cables should be installed, tested, and tagged at the site before you perform this installation.

- a. Insert the bulk connector plug into the port connector on the module.
- b. Using a flat-blade screwdriver, tighten the two screws at the ends of the plug.



LKG-8761-93I

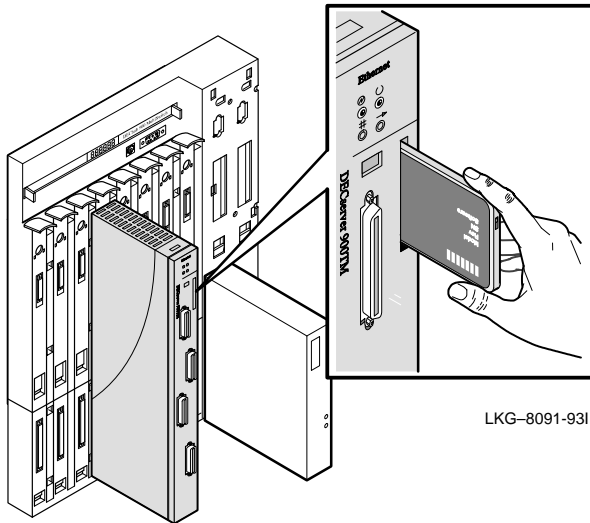
NOTE: To disconnect the bulk cables, use a flat-blade screwdriver to loosen the two screws at the ends of the plug, then disconnect the cable.

NOTE: You must reboot the DECserver 900GM after changing the bulk cable type on a port from a full modem control cable to a partial modem control cable or data lead only connector, or vice versa.

Installing Flash RAM

If you use a Flash RAM card for loading the operational software, perform the following:

- 1** Insert the Flash RAM card into the Flash RAM slot on the front of the module.
 - a. The Digital label should be on the same side as the DECserver 900GM logo on the front panel of the module.
 - b. When properly inserted, the Flash RAM card protrudes from the front panel about 1/4 inch. The Flash RAM card is keyed and cannot be inserted improperly.



LKG-8091-931

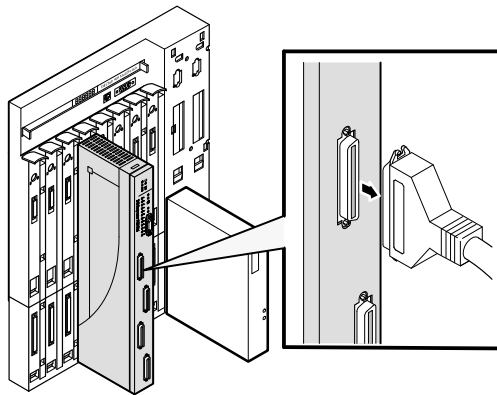
The Flash RAM card can be hot swapped and may be inserted or removed at anytime. If you are booting from the Flash RAM card, insert it before powering the module or during the self-test phase.

Once you boot the DECserver 900GM, the card may be left in place or removed.

Removing the Module

1 Disconnect all the cables from the module.

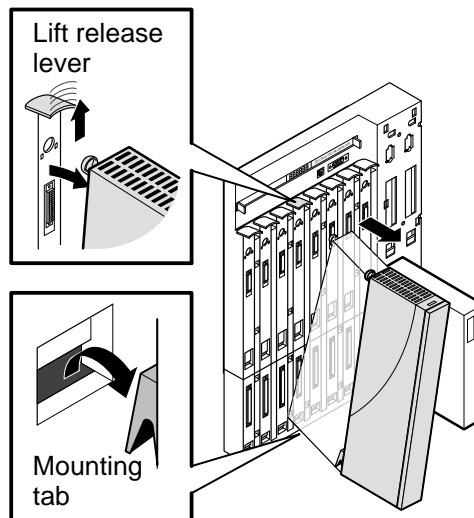
- a. To remove the bulk cables, use a flat-blade screwdriver to loosen the two screws at the ends of the plugs, then disconnect the cable.



LKG-8761-93I

2 Unseat the module from the DEChub 900 MultiSwitch.

- a. Lift the release lever located on the top of the DEChub mounting slot.
- b. Pivot the module back on its bottom mounting tab, and remove the module from the backplane.





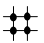

LKG-8717-93I

LED Descriptions

The module LEDs provide dynamic indications of module status.

Table 1 shows the static states that are possible for each of the module LEDs.

Table 1 Module LED States

LED Name		Off	On	Flashing
Power		No power to the module.	Module receiving power.	Faulty power connection or insufficient power.
Module OK		After approximately 2 minutes, module failed self test.	Module passed self-test.	Non-fatal self-test failure. Unit may still be operational.
Network OK		Module is not connected to a properly terminated and enabled LAN through the DEChub 900 or via the AUI port on the DEChub ONE.	Network connection is operational.	Network connection is disabled by network management.
Network Activity		No network activity.	Network has heavy traffic.	Flashes more rapidly and appears brighter as network traffic increases.

Problem Solving Using the LEDs

When diagnosing a problem with the module, note that the problem is often indicated by the combined states of the module LEDs. Table 2 lists the states of the LEDs for various error conditions that can occur during initial installation of the device, along with probable causes and steps you can take to correct the condition.

Normal Powerup

When power to the module is initially turned on, the following events occur:

1. The Power LED lights and remains lit. All other LEDs light and then turn off. This verifies that the individual LEDs are operational.
2. The module initiates its built-in self-test.
3. After the self-test completes successfully (within approximately 2 minutes), the Module OK LED lights and remains lit.
4. The remaining LEDs indicate their operational status as described in Table 2.

Problem Solving

Table 2 lists probable causes and corrective actions you can take if the module LEDs do not function properly.

Problem Solving Using the LEDs (Cont.)

Table 2 Problem Solving Using the LEDs

Symptom	Probable Cause	Corrective Action
Power LED is off.	The module is not receiving power.	<p>Ensure that the release lever (if installing into a DEChub 900) or the locking L-bracket screw (if installing into a DEChub ONE) is locked securely.</p> <p>If installing the module into a DEChub 900, check the power status on the Hub Manager status display. If enough power is available, lift the release lever (if installing the module into a DEChub ONE, loosen the locking L-bracket screw). Remove the module.</p> <p>Inspect the module's 48-pin and 160-pin connectors for bent, broken, or dirty pins. If any pins are broken or bent, replace the module.</p> <p>If no pins are broken or bent, reinstall the module into the DEChub.</p> <p>If the problem persists, replace the module.</p>
Power LED is flashing.	<p>The module connection is faulty.</p> <p>Faulty DEChub 900 slot connection.</p> <p>DEChub power supply is faulty.</p>	<p>Lift the release lever, then reseal the module.</p> <p>Reinstall the module into another slot.</p> <p>If the module is installed in a DEChub 900, replace the power supply. If the module is installed in a DEChub ONE, replace the DEChub ONE.</p>

(continued on next page)

Problem Solving Using the LEDs (Cont.)

Table 2 (Cont.) Problem Solving Using the LEDs

Symptom	Probable Cause	Corrective Action
Module OK LED is off.	Module does not have sufficient power.	Ensure Power LED is on.
	Self-test is in progress.	Wait up to approximately 2 minutes for self-test to complete.
	Self-test failed.	If the LED does not light after approximately 2 minutes, lift the release lever momentarily to repeat the self-test. If self-test fails again, replace the module.
Module OK LED is flashing.	Non-fatal error.	See the error message on the console port.
	Fan is faulty.	Call Multivendor Customer Services to replace the fan.
Seven-segment display is flashing "C," "d," or "n".	Memory failure.	Return the unit to Digital Equipment Corporation.
Seven-segment display is flashing or displaying a solid "8".	Fatal error.	Return the unit to Digital Equipment Corporation.
Seven-segment display shows a "3".	Download backoff is in progress.	If the display persists, there is a loading problem. See the error message on the console port.

Problem Solving Using the Seven Segment Display

This section shows the codes that appear on the seven-segment display during the server power-up and initialization internal self-test. The first column indicates a horizontal view (standalone). The second column indicates a vertical view (hub) of the codes. The third column describes the codes.

Off	Off	No power or display broken
8	8	Initial power on
F	F	Initialization
E	E	DECserver 900 internal test
d	P	SIM 1 test
7	7	SIM 2 test
P	P	DECserver 900 internal test, including Flexchannel test and Fan test
6	9	DECserver 900 internal test
A	A	DECserver 900 internal test
9	6	DECserver 900 internal test
7	7	DECserver 900 internal test
5	5	Network interface external test
≡	≡	Software loading from or programming Flash RAM card
4	4	Requesting load
3	3	Load request backoff
2	2	Loading
1	1	Requesting dump
0	0	Dumping
H	H	Hardware revision # incompatible with firmware revision #
n	n	No SIMs, or wrong type SIMs installed
Rotating	Rotating	DECserver 900 is operating correctly. The rotating code is referred to as the "race track" pattern.

LKG-8099-93I

Cabling

NO TAG shows the maximum cable lengths for a number of data rates using DECserver 900GM supported line protocols.

For more information about cabling and configuring of LANs and using DECconnect system products, refer to the *DECconnect System Planning and Configuration Guide*.

Table 3 Maximum Cable Lengths¹ -- DECserver 900GM to Devices

Line Protocol	Data Rate (Baud)	Cable Length
EIA-432-A/V1.0	4.8 K	500 m (1600 ft)
	9.6 K	280 m (900 ft)
	19.2 K	150 m (500 ft)
	38.4 K	85 m (280 ft)
	57.6 K	30 m (100 ft)
	115.2 K	12 m (40 ft)
DEC 423	9.6 K	900 m (3000 ft)
	19.2 K	300 m (1000 ft)
	38.4 K	150 m (500 ft)
	57.6 K	60 m (200 ft)
	115.2 K	30 m (100 ft)
EIA-232-E/V.28	9.6 K	60 m (200 ft)
	19.2 K	30 m (100 ft)
	38.4 K	15 m (50 ft)
	57.6 K	6 m (20 ft)
	115.2 K	3 m (10 ft)

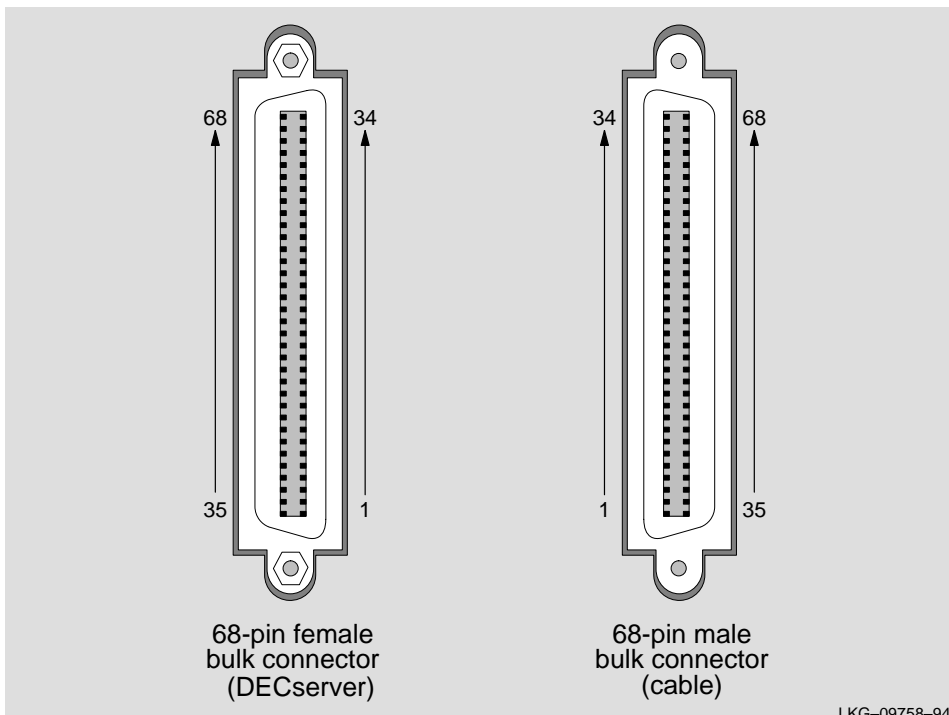
¹ For cable type H8245-A or H8246-B, 24 AWG, 4 pair, twisted pair.

Connector Pin Assignments

To install the DECserver 900GM, use either a 68-pin bulk to 50-pin female Telco adapter (H8586-AA), the 68-pin bulk to 50-pin male Telco cable (BN41C-03), the 68-pin to eight MP8 connectors cable (BN41B-03), or 68-pin to four 25-pin DB connectors cable (BN41A-03).

Bulk Connector

The following illustrations show the pin orientations of a 68-pin female bulk connector on the DECserver 900GM and a 68-pin male bulk connector on the cable. These figures are followed by a listing of the pin assignments for the 68-pin female bulk connector.



Connector Pin Assignments (Cont.)

The following table lists the pin assignments for the 68-pin female bulk connector on the DECserver 900GM. Use this information in conjunction with the cable pinouts shown in the following tables and diagrams. If you are using cables that are not made by Digital, be sure to follow the pin orientations for the 68-pin male bulk connector shown on the previous page.

Pin #	Modem Control	Control	Data Leads	Ports F, P, D*	Pin #	Modem Control	Control	Data Leads	Ports F, P, D*
	Full	Partial				Full	Partial		
1	TXD	TXD	TXD	1, 1, 1	35	GND	TXD COM	TXD COM	1, 1, 1
2	RXD	RXD	RXD	1, 1, 1	36	GND	RXD COM	RXD COM	1, 1, 1
3	CTS	DSR	DSR	1, 1, 1	37	RTS	DTR	DTR	1, 1, 1
4	DSR	CTS		1, 1, -	38	DTR	RTS		1, 1, -
5	TXD	TXD	TXD	2, 2, 2	39	GND	TXD COM	TXD COM	2, 2, 2
6	RXD	RXD	RXD	2, 2, 2	40	GND	RXD COM	RXD COM	2, 2, 2
7	CTS	DSR	DSR	2, 2, 2	41	RTS	DTR	DTR	2, 2, 2
8	DSR	CTS		2, 2, -	42	DTR	RTS		2, 2, -
9	TXD	TXD	TXD	3, 3, 3	43	GND	TXD COM	TXD COM	3, 3, 3
10	RXD	RXD	RXD	3, 3, 3	44	GND	RXD COM	RXD COM	3, 3, 3
11	CTS	DSR	DSR	3, 3, 3	45	RTS	DTR	DTR	3, 3, 3
12	DSR	CTS		3, 3, -	46	DTR	RTS		3, 3, -
13	TXD	TXD	TXD	4, 4, 4	47	GND	TXD COM	TXD COM	4, 4, 4
14	RXD	RXD	RXD	4, 4, 4	48	GND	RXD COM	RXD COM	4, 4, 4
15	CTS	DSR	DSR	4, 4, 4	49	RTS	DTR	DTR	4, 4, 4
16	DSR	CTS		4, 4, -	50	DTR	RTS		4, 4, -
17		TXD	TXD	- , 5, 5	51		TXD COM	TXD COM	- , 5, 5
18	DCD	RXD	RXD	1, 5, 5	52	GND	RXD COM	RXD COM	1, 5, 5
19	RI	DSR	DSR	1, 5, 5	53	DSRS	DTR	DTR	1, 5, 5
20	SMI	CTS		1, 5, -	54		RTS		- , 5, -
21		TXD	TXD	- , 6, 6	55		TXD COM	TXD COM	- , 6, 6
22	DCD	RXD	RXD	2, 6, 6	56	GND	RXD COM	RXD COM	2, 6, 6
23	RI	DSR	DSR	2, 6, 6	57	DSRS	DTR	DTR	2, 6, 6
24	SMI	CTS		2, 6, -	58		RTS		- , 6, -
25		TXD	TXD	- , 7, 7	59		TXD COM	TXD COM	- , 7, 7
26	DCD	RXD	RXD	3, 7, 7	60	GND	RXD COM	RXD COM	3, 7, 7
27	RI	DSR	DSR	3, 7, 7	61	DSRS	DTR	DTR	3, 7, 7
28	SMI	CTS		3, 7, -	62		RTS		- , 7, -
29		TXD	TXD	- , 8, 8	63		TXD COM	TXD COM	- , 8, 8
30	DCD	RXD	RXD	4, 8, 8	64	GND	RXD COM	RXD COM	4, 8, 8
31	RI	DSR	DSR	4, 8, 8	65	DSRS	DTR	DTR	4, 8, 8
32	SMI	CTS		4, 8, -	66		RTS		- , 8, -
33				- , ld,-	67				ld, -, -
34				- , -, ld	68				ld, ld, ld

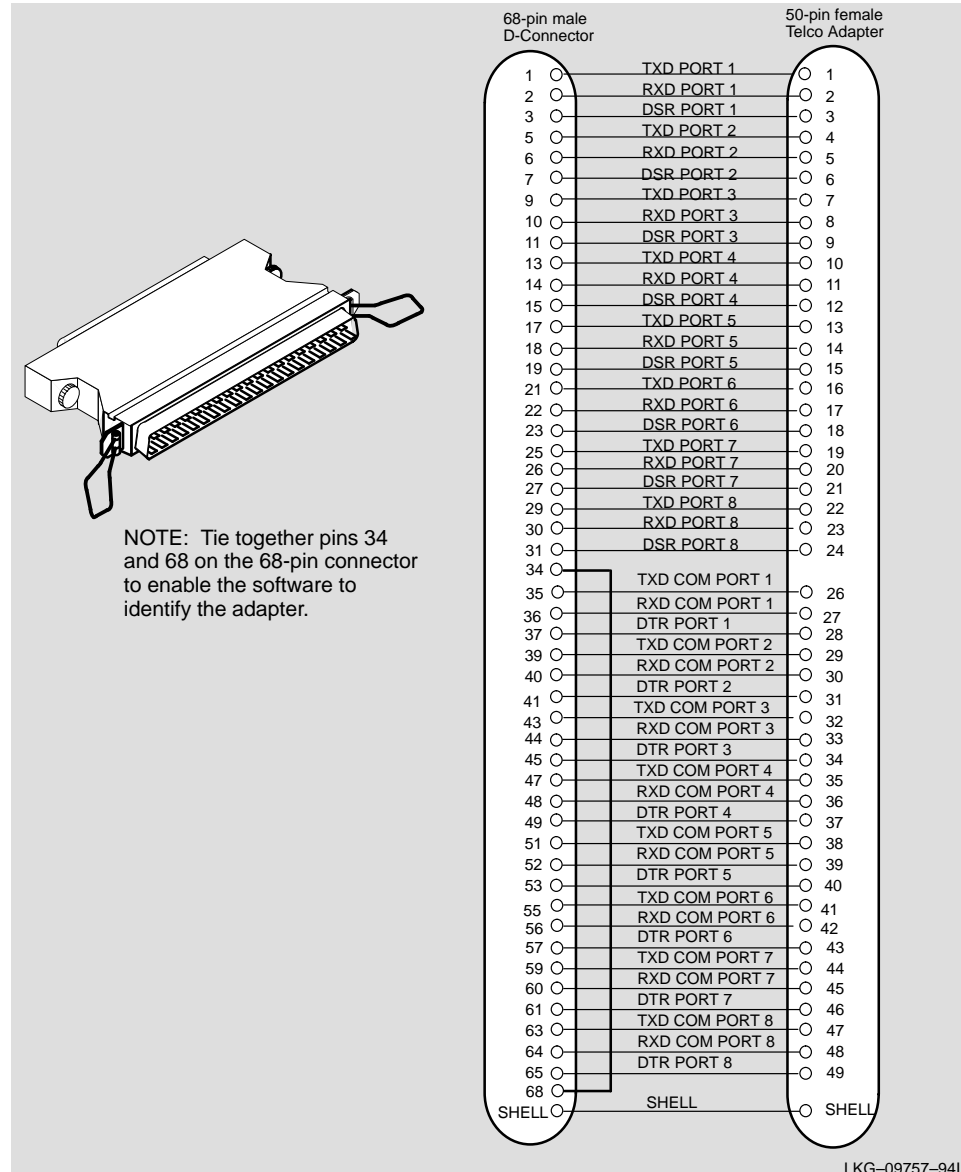
* F = Full modem control
P = Partial modem control
D = Data leads only

LKG-8764-931

Connector Pin Assignments (Cont.)

H8586-AA: 68-pin Bulk to 50-pin Telco Adapter (Included)

You can use the H8586-AA adapter with a 50-pin Telco cable that you supply. The following illustration shows an H8586-AA adapter and its pin assignments:

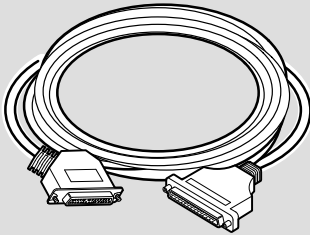


LKG-09757-941


Connector Pin Assignments (Cont.)

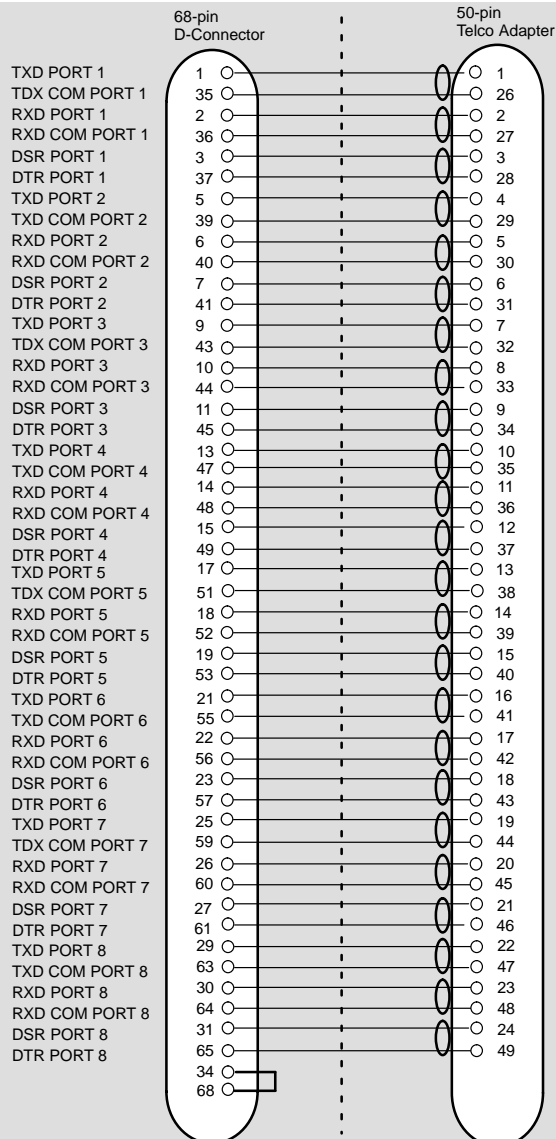
BN41C-03: 68-pin Bulk to 50-pin Telco Cable (Optional)

The BN41C-03 is recommended for use with the H3117-MA or H3107-M MJ8 to 50-pin Telco patch panel. The following illustration shows a BN41C-03 cable and its pin assignments:



NOTE: Tie together pins 34 and 68 on the 68-pin connector to enable the software to identify the cable.

 = twisted pair



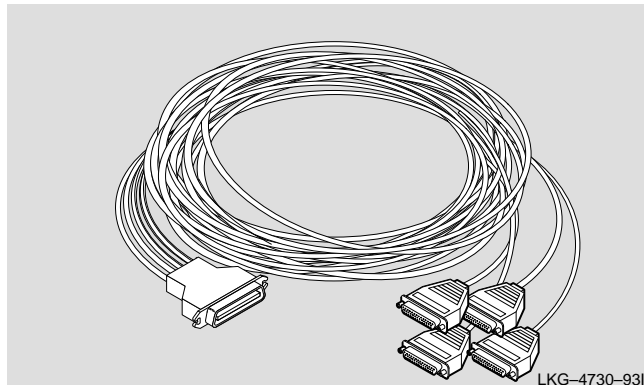
LKG-8363-93I

Connector Pin Assignments (Cont.)

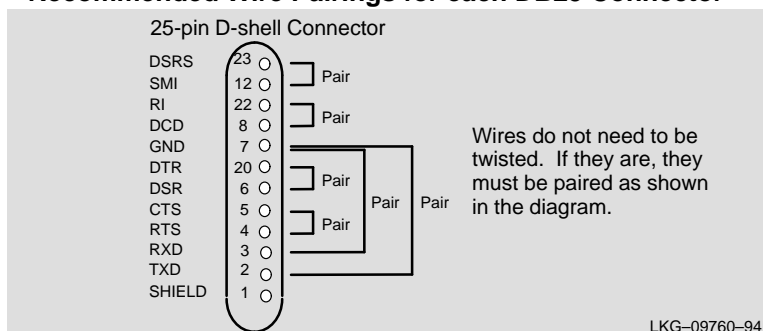
BN41A-03: 68-pin to Four 25-pin DB Octopus Cable (Optional)

Use this cable on DECserver bulk connectors A through D to provide four full-modem control connections for each serial port. The following illustration shows a 68-pin bulk connector to four 25-pin DB connector cable. You can connect the 25-pin DB connectors directly to modems. You must use a crossover adapter or crossover cable for terminal interconnections. The wire size should be 26 or 28GA, shielded or unshielded, twisted- or untwisted-pair. On the 68-pin connector, tie pins 67 and 68 together to enable the software to identify the cable. NO TAG lists the appropriate pin assignments.

NOTE: You can mix cable BN41A-03 and cable BN41B-03 on serial ports A through D to create four full modem control connections on one port and eight partial modem control connections on another.



Recommended Wire Pairings for each DB25 Connector



Connector Pin Assignments (Cont.)

Table 4 68-pin to Four 25-pin DB Octopus Cable Pinout

25-pin DB Number	Twisted Pairings	25-pin DB Pin Number	68-pin Pin Number	Full Modem Control Signal
1		1 and HOUSING	HOUSING	SHIELD
	Pair {	2	1	TXD
		7	35	GND
	Pair {	3	2	RXD
		7	36 and 52	GND
	Pair {	4	37	RTS
		5	3	CTS
	Pair {	20	38	DTR
		6	4	DSR
	Pair {	8	18	DCD
		22	19	RI
	Pair {	12	20	SMI
		23	53	DSRS
2		1 and HOUSING	HOUSING	SHIELD
	Pair {	2	5	TXD
		7	39	GND
	Pair {	3	6	RXD
		7	40 and 56	GND
	Pair {	4	41	RTS
		5	7	CTS
	Pair {	20	42	DTR
		6	8	DSR
	Pair {	8	22	DCD
		22	23	RI
	Pair {	12	24	SMI
		23	57	DSRS

(continued on next page)

Connector Pin Assignments (Cont.)

Table 4 (Cont.) 68-pin to Four 25-pin DB Octopus Cable Pinout

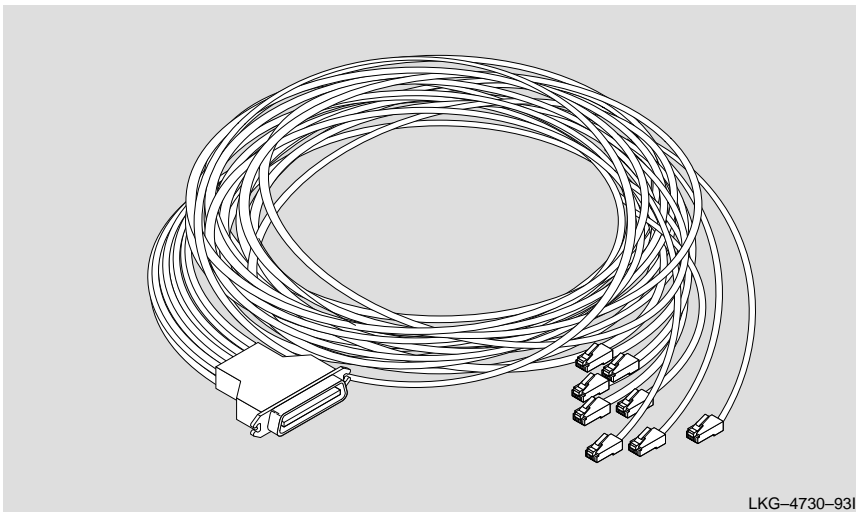
25-pin DB Number	Twisted Pairings	25-pin DB Pin Number	68-Pin Pin Number	Full Modem Control Signal
3		1 and HOUSING	HOUSING	SHIELD
	Pair {	2	9	TXD
		7	43	GND
	Pair {	3	10	RXD
		7	44 and 60	GND
	Pair {	4	45	RTS
		5	11	CTS
	Pair {	20	46	DTR
		6	12	DSR
	Pair {	8	26	DCD
		22	27	RI
	Pair {	12	28	SMI
		23	61	DSRS
4		1 and HOUSING	HOUSING	SHIELD
	Pair {	2	13	TXD
		7	47	GND
	Pair {	3	14	RXD
		7	48 and 64	GND
	Pair {	4	49	RTS
		5	15	CTS
	Pair {	20	50	DTR
		6	16	DSR
	Pair {	8	30	DCD
		22	31	RI
	Pair {	12	32	SMI
		23	65	DSRS

NOTE: On the 68-pin connector, tie pins 67 and 68 together to enable the software to identify the cable.

Connector Pin Assignments (Cont.)

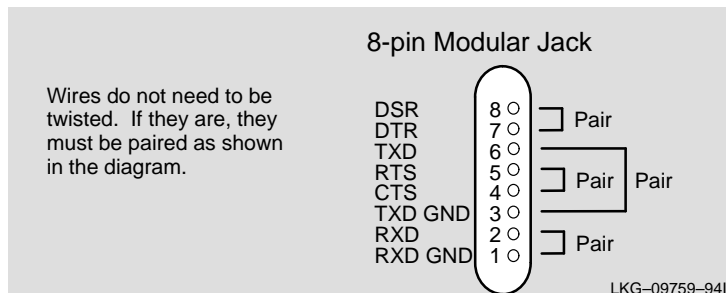
BN41B-03: 68-pin to Eight 8-pin MP Octopus Cable (Optional)

Use this cable on DECserver bulk connectors A through D to provide eight partial modem control connections for each serial port and with the H8585 series adapters for modem and personal computer (PC) connections. You can also use this cable with the H3117-NA/NB or H3107-N MJ8 patch panel to provide a DECserver 900TM-type MJ8 interface. The following illustration shows a 68-pin to eight 8-pin MP8 connector cable. NO TAG shows the appropriate pin assignments.



LKG-4730-93I

Recommended Wire Pairings for each MP8 Connector



LKG-09759-94I

Connector Pin Assignments (Cont.)

NOTE: You can mix cable BN41A-03 and cable BN41B-03 on serial ports A through D to create four full modem control connections on one port and eight partial modem control connections on another.

Table 5 68-pin to Eight 8-pin MP Octopus Pinout

8-pin MP Number	Twisted Pairings	8-pin MP Pin Number	68-pin Pin Number	Partial Modem Control Signal
1	Pair {	6	1	TXD
		3	35	TXD COM
	Pair {	2	2	RXD
		1	36	RXD COM
	Pair {	8	3	DSR
		7	37	DTR
	Pair {	4	4	CTS
		5	38	RTS
8-pin MP Number	Twisted Pairings	8-pin MP Pin Number	68-pin Pin Number	Partial Modem Control Signal
2	Pair {	6	5	TXD
		3	39	TXD COM
	Pair {	2	6	RXD
		1	40	RXD COM
	Pair {	8	7	DSR
		7	41	DTR
	Pair {	4	8	CTS
		5	42	RTS

(continued on next page)

Connector Pin Assignments (Cont.)

Table 5 (Cont.) 68-pin to Eight 8-pin MP Octopus Pinout

8-pin MP Number	Twisted Pairings	8-pin MP Pin Number	68-pin Pin Number	Partial Modem Control Signal
3	Pair {	6	9	TXD
		3	43	TXD COM
	Pair {	2	10	RXD
		1	44	RXD COM
	Pair {	8	11	DSR
		7	45	DTR
	Pair {	4	12	CTS
		5	46	RTS
8-pin MP Number	Twisted Pairings	8-pin MP Pin Number	68-pin Pin Number	Partial Modem Control Signal
4	Pair {	6	13	TXD
		3	47	TXD COM
	Pair {	2	14	RXD
		1	48	RXD COM
	Pair {	8	15	DSR
		7	49	DTR
	Pair {	4	16	CTS
		5	50	RTS

(continued on next page)

Connector Pin Assignments (Cont.)

Table 5 (Cont.) 68-pin to Eight 8-pin MP Octopus Pinout

8-pin MP Number	Twisted Pairings	8-pin MP Pin Number	68-pin Pin Number	Partial Modem Control Signal
5	Pair {	6	17	TXD
		3	51	TXD COM
	Pair {	2	18	RXD
		1	52	RXD COM
	Pair {	8	19	DSR
		7	53	DTR
	Pair {	4	20	CTS
		5	54	RTS
8-pin MP Number	Twisted Pairings	8-pin MP Pin Number	68-pin Pin Number	Partial Modem Control Signal
6	Pair {	6	21	TXD
		3	55	TXD COM
	Pair {	2	22	RXD
		1	56	RXD COM
	Pair {	8	23	DSR
		7	57	DTR
	Pair {	4	24	CTS
		5	58	RTS

(continued on next page)

Connector Pin Assignments (Cont.)

Table 5 (Cont.) 68-pin to Eight 8-pin MP Octopus Pinout

8-pin MP Number	Twisted Pairings	8-pin MP Pin Number	68-pin Pin Number	Partial Modem Control Signal
7	Pair {	6	25	TXD
		3	59	TXD COM
	Pair {	2	26	RXD
		1	60	RXD COM
	Pair {	8	27	DSR
		7	61	DTR
	Pair {	4	28	CTS
		5	62	RTS
8-pin MP Number	Twisted Pairings	8-pin MP Pin Number	68-pin Pin Number	Partial Modem Control Signal
8	Pair {	6	29	TXD
		3	63	TXD COM
	Pair {	2	30	RXD
		1	64	RXD COM
	Pair {	8	31	DSR
		7	65	DTR
	Pair {	4	32	CTS
		5	66	RTS

NOTES: On the 68-pin connector, tie pins 33 and 68 together to enable the software to identify the cable.

The wire size should be 28GA or 26GA unshielded twisted pair.

Cable Compatibility

Before connecting cables to the DECserver 900GM ports, you must verify supported modem signals with the person managing the DECserver 900GM. This information is necessary to determine what cables to use. For more information on the signals, refer to the *Network Access Server Management* manual.

NO TAG describes the cable connections that are compatible with the DECserver 900GM Ethernet and serial line connectors.

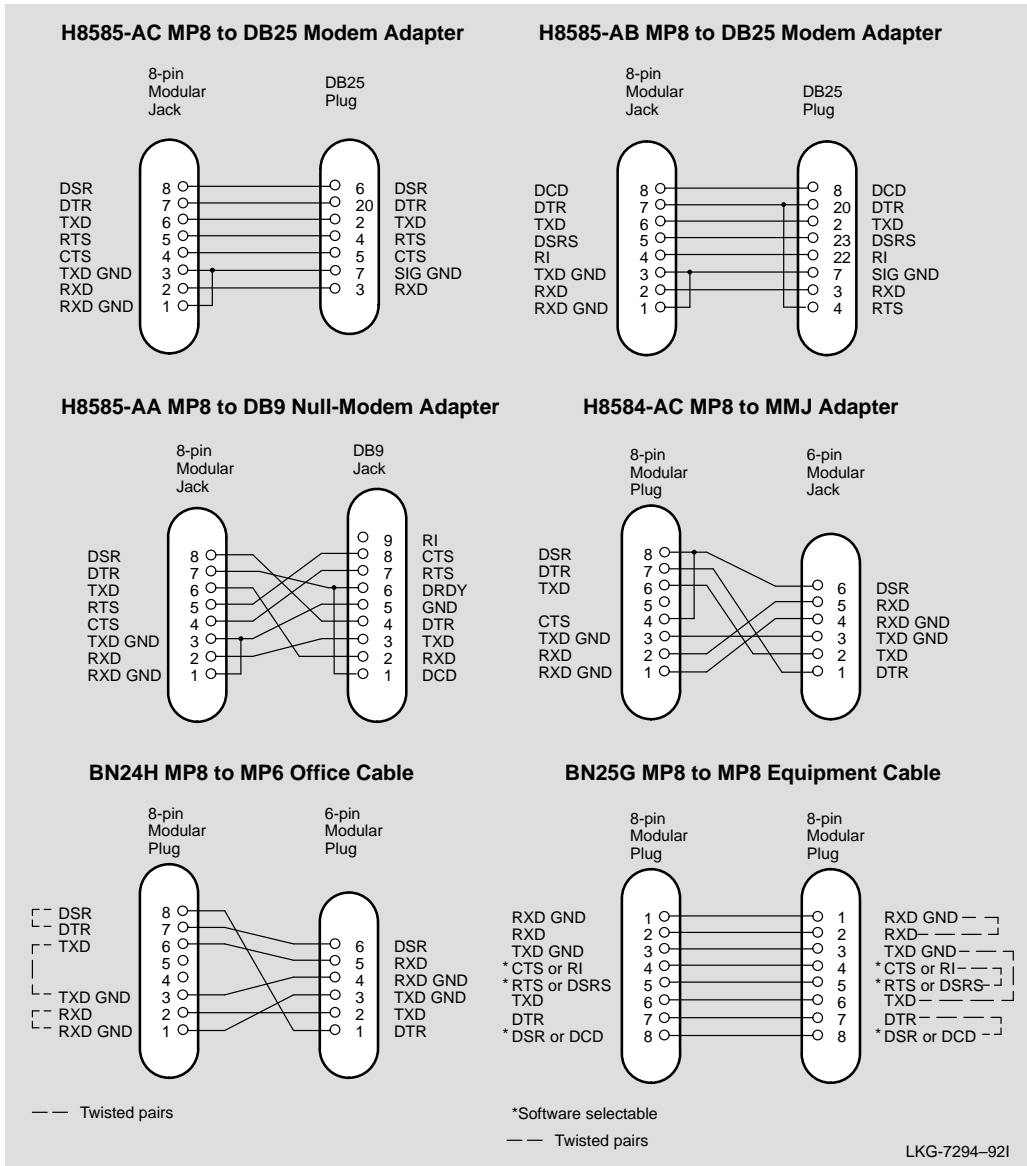
Table 6 Cable Connections Compatible with the DECserver 900GM

Cable Type	Description
H8585-AC ¹ MP8 to DB25 (male) modem adapter	Use this adapter with the BN25G or the BN41B-03 cable to connect high-speed modems to the DECserver 900GM.
H8585-AB ¹ MP8 to DB25 (male) modem adapter	Use this adapter with the BN25G or the BN41B-03 cable to connect low-speed modems to the DECserver 900GM.
H8585-AA MP8 to DB9 (female) null-modem adapter	Use this adapter with the BN25G or the BN41B-03 cable to convert the DECserver 900GM connector to the DB9 connector for cabling to PC asynchronous ports.
H8584-AC MP8 to MMJ adapter	Use this adapter to convert a serial port to a DECserver 900GM terminal server configuration.
BN24H MP8 to MP6 office cable	Use this office cable to connect from the 6-pin MMJ port of a terminal or printer to the 8-pin MJ faceplate data connector. The BN24H is configured with one 6-pin modified modular plug, one standard 8-pin plug, and crossover wiring.
BN25G MP8 to MP8 equipment cable	Use this cable as either a patch cord or office cable. It is configured with standard 8-pin modular plugs, which connect four unshielded twisted pairs pin-to-pin.

¹Adapters H8585-AB and H8585-AC are not for connection to public networks in Sweden, Germany, or Japan.

Cable Compatibility (Cont.)

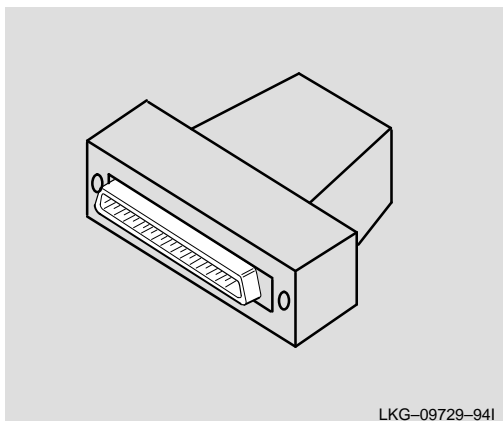
The following wiring diagrams illustrate the cable connections that are compatible with the DECserver 900GM Ethernet and serial line connectors:



Cable Compatibility (Cont.)

H8587-AA Loopback Connector (Provided)

The DECserver 900GM products includes a 68-pin male to 8-pin MJ8 loopback connector. You can use the loopback connector on connector A of the DECserver to provide a console port, to set up a loopback connection, and to perform loopback testing. The following diagram represents the loopback connector.



Product Specifications

Table 7 lists the DECserver 900GM physical, environmental, and certification specifications.

Table 7 Operating Specifications

Parameter	DECserver 900GM
Operating Environment	
Operating Temperature ¹	5° C to 50° C (41° F to 122° F)
Relative Humidity	10% to 95% noncondensing
Altitude	Sea level to 4900 m (16,000 ft)
Power	35.0 W, total power 4.0 A, 5Vdc 0.1 A, 12Vdc ² 0.5 A, 15Vdc
Connectors	
Module has: four 68-pin bulk connectors.	
DEChub ONE has: one 8-pin MJ, one DB-9, and one 15-pin D-Sub AUI connector.	
DEChub ONE-MX has: one 8-pin MJ, one 6-pin MJ (OBR), one DB-9, one 15-pin D-Sub, and one redundant power connector (D-Sub).	
Physical	
Height	44.45 cm (17.5 in)
Width	4.45 cm (1.75 in)
Depth	15.25 cm (6 in); 25.40 cm (10.0 in) with a DEChub ONE docking station
Weight	1.8 kg (4 lb) ³
Certification	
CE, CSA, FCC, TÜV, UL, VCCI.	

¹ For sites above 4900 m (16,000 ft), decrease the operating temperature specification by 1.8° C for each 1000 m or 3.2°F for each 3200 ft.

² The 12V power in the DEChub 900 is derived from the 15V power source. Although it is listed separately in the product specification, the 12V requirements are included in the 15V power total.

³ Include an additional 1.59 kg (3.5 lb) when attached to a DEChub ONE; when attached to a DEChub ONE-MX, add 2.10 kg (4.63 lb).

Product Specifications (Cont.)

Table 8 lists the DECserver 900GM acoustical specifications.

Table 8 Acoustical Specifications

Acoustics — Declared values per ISO 9296 and ISO 7779¹

Product	Sound Power Level $L_{WA,d}$, B	Sound Pressure Level L_{pAm}, dBA (bystander positions)
	<i>Idle/Operate</i>	<i>Idle/Operate</i>
DSRVZ	4.7	33
DSRVZ + DEHUA	5.1	37
DSRVZ + DEF1H	5.2	36

Schallemissionswerte — Werteangaben nach ISO 9296 und ISO 7779/DIN EN27779²

Produkt	Schalleistungspegel $L_{WA,d}$, B	Schalldruckpegel L_{pAm}, dBA (Zuschauerpositionen)
	<i>Leerlauf/Betrieb</i>	<i>Leerlauf/Betrieb</i>
DSRVZ	4,7	33
DSRVZ + DEHUA	5,1	37
DSRVZ + DEF1A	5,2	36

¹ Current values for specific configurations are available from Digital Equipment Corporation representatives. 1 B = 10 dBA.

² Aktuelle Werte für spezielle Ausrüstungsstufen sind über die Digital Equipment Vertretungen erhältlich. 1 B = 10 dBA.

Associated Documents

The following documents provide related information about the module. Ordering information is provided at the back of this manual.

Title and Order Number	Description
<i>DEChub 900 MultiSwitch Owner's Manual</i> EK-DH2MS-OM	Provides installation, use, security, and troubleshooting information.
<i>HUBwatch Installation and Configuration</i> AA-Q0FXA-TE	Provides information for installing HUBwatch in the DEChub 900 MultiSwitch.
<i>HUBwatch Use</i> AA-PW4BB-TE	Provides network management, DEChub module management, and DEChub functionality information.
<i>Network Access Server Management</i> AA-PW5VC-TE	Provides the procedures to perform management tasks for the various network access servers. Use to verify supported modem signals.
<i>DECconnect System Planning and Configuration Guide</i> EK-DECSY-CG	Provides information about cabling and configuring LANs and about using DECconnect system products.

HOW TO ORDER ADDITIONAL DOCUMENTATION

DIRECT TELEPHONE ORDERS

In Continental USA
call 1-800-DIGITAL
(1-800-344-4825)

In Canada
call 1-800-267-6215

In New Hampshire,
Alaska or Hawaii
call 1-603-884-6660

ELECTRONIC ORDERS (U.S. ONLY)

Dial 1-800-dec-demo with any VT100 or VT200 compatible terminal and a 1200 baud modem.
If you need assistance, call 1-800-DIGITAL (1-800-344-4825)

DIRECT MAIL ORDERS (U.S. and Puerto Rico*)

DIGITAL EQUIPMENT CORPORATION
P.O. Box CS2008
Nashua, New Hampshire 03061

DIRECT MAIL ORDERS (Canada)

DIGITAL EQUIPMENT OF CANADA LTD.
940 Belfast Road
Ottawa, Ontario, Canada K1G 4C2
Attn: A&SG Business Manager

INTERNATIONAL

DIGITAL EQUIPMENT CORPORATION
A&SG Business Manager
c/o Digital's local subsidiary
or approved distributor

Internal orders should be placed through U.S. Software Supply Business (SSB),
Digital Equipment Corporation, 10 Cotton Rd. Nashua, NH. 03063-1260

*Any prepaid order from Puerto Rico must be placed
with the Local Digital Subsidiary:
809-754-7575

**DECserver 900GM Installation
EK-DSRVY-IN. B01**

Please return this card.

Your comments and suggestions will help us improve the quality and usefulness of our documentation.

Did you use the manual as a reference or as a step-by-step procedure to install the device?

Were the instructions easy to follow? _____

Were the instructions complete? _____

Were they in the proper sequence? _____

Which chapters or sections were most helpful? _____

Did you use the appendixes? Which ones? _____

Were the illustrations helpful? _____ All? _____ Some? _____ Which ones? _____

Were some illustrations unnecessary? _____ Which ones? _____

Do you think the manual needs more illustrations? _____ Please give an example. _____

Thank you.

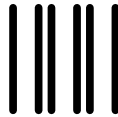
Name _____ Date _____

Title _____ Department _____

Organization _____ Street _____

City _____ State/Country _____ Zip Code _____

DO NOT CUT – FOLD HERE AND TAPE



NO POSTAGE
NECESSARY
IF MAILED
IN THE
UNITED STATES

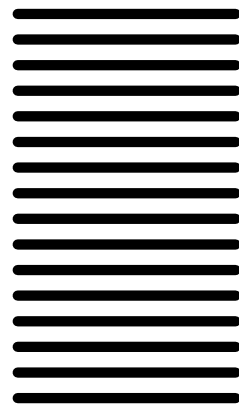
BUSINESS REPLY LABEL

FIRST CLASS PERMIT NO. 33 MAYNARD MASS.

POSTAGE WILL BE PAID BY ADDRESSEE

digital[™]

Information Design and Consulting
550 King Street, LKG1-3/L12
Littleton, MA 01460-1289



DO NOT CUT – FOLD HERE