

DEC LANcontroller 601



Cabling Instructions and Specifications

Part Number: EK-A0553-C1.001

© Digital Equipment Corporation. 1992. All Rights Reserved.

Cabling Instructions

To install the DEC LANcontroller 601, perform the following steps:

- | | | |
|----|--|---------------|
| 1. | Check kit contents | See this card |
| 2. | Install the Network Interface Card (NIC) | See Note |
| 3. | Attach the communication cables | See this card |
| 4. | Enable the NIC | See Note |
-

NOTE

Details of steps 2 and 4 are in the *Installation and Service Manual* for your DECNIS.

IMPORTANT: Steps 2 and 4 can only be performed by a service person (refer to the *Installation and Service Manual* for your DECNIS).

Kit Contents

Option DNSAE-AA

- DEC LANcontroller 601 Network Interface Card (NIC)
- Ethernet loopback connector, H4080
- Documentation set:

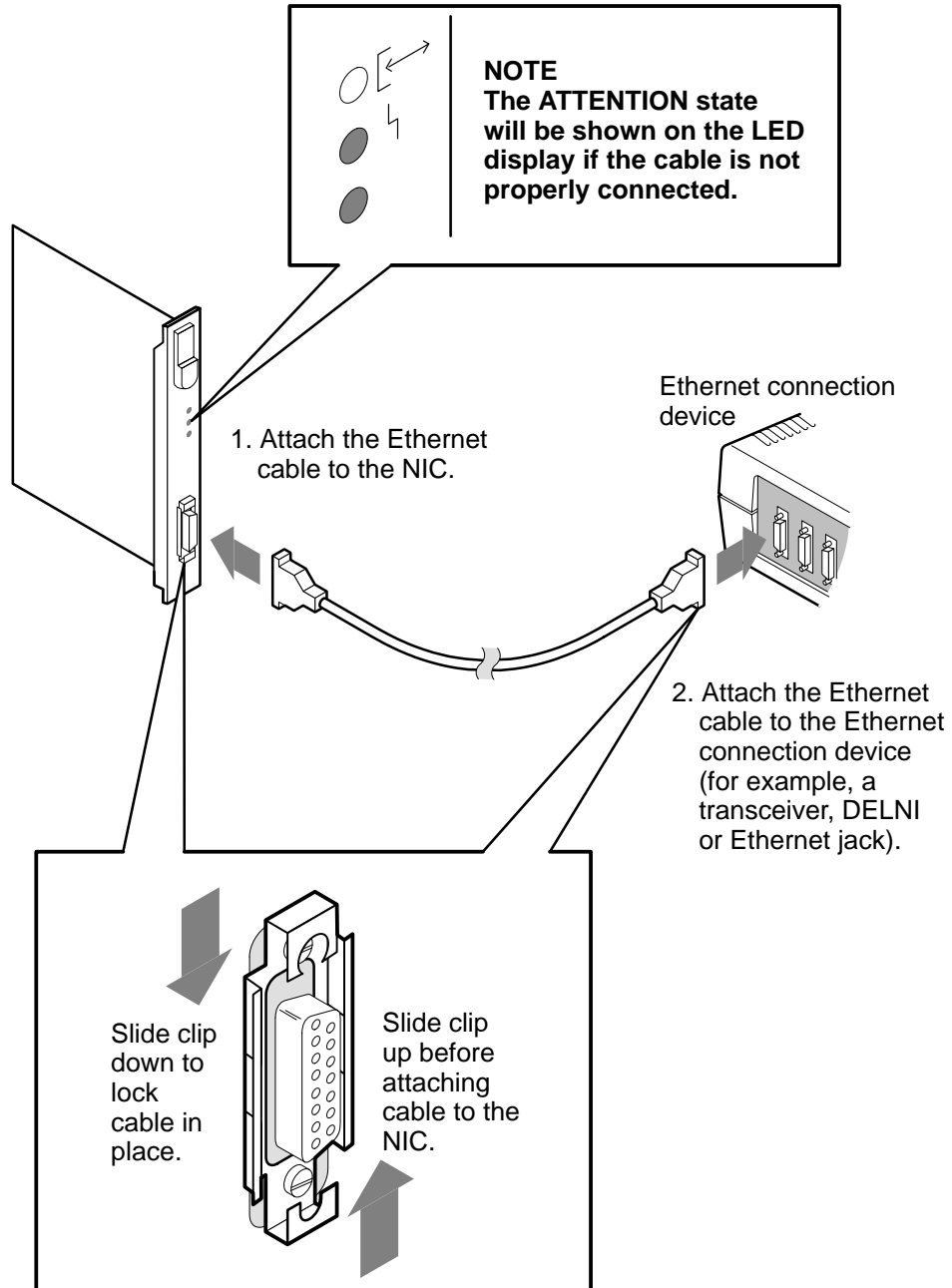
*DEC LANcontroller 601 Cabling Instructions
and Specifications*
DEC LANcontroller 601 Problem Solving
DEC LANcontroller 601 Configuration Card



LKG-5947-911

Attaching the Communication Cables

You do not need to disable the NIC when attaching these cables.



TO REMOVE THE CABLE, unlock the cable clips before you detach the cable.

LKG-5735-911

Cabling Information

Ethernet Cables

Description	Part Number
PVC straight angle connection	BNE3H-xx
PVC right-angle connection	BNE3K-xx
Teflon straight angle connection	BNE3L-xx
Teflon right-angle connection	BNE3M-xx
PVC office straight angle connection	BNE4C-xx
PVC office right-angle connection	BNE4D-xx

where **xx** represents cable lengths as follows:

05	5 m
10	10 m
20	20 m
40	40 m

PVC office cables are only available in 2 m and 5 m lengths, where **XX** = 02 or 05, respectively.

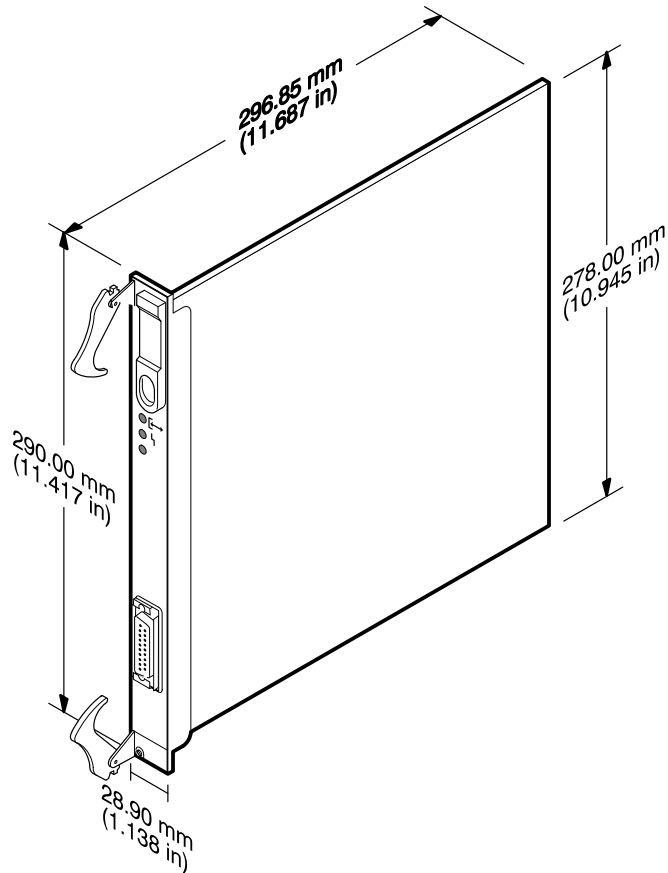
Specifications

Communication Specifications

Line speeds	10 Mbits/s
Number of lines	1
Line interfaces	Ethernet IEEE 802.3 compatible

Physical Specifications

Weight = 0.6 kg (1.325 lb)



LKG-5769-911