

---

## Installing the 100 Mb/s Fast Ethernet Modular Media Interface Cards

### Introduction

The 100 Mb/s Fast Ethernet Modular Media Interfaces (MM-100) are part of the MM-100 family of modular media interfaces that are front insertable, hot swappable, single-slot option cards that are customer installable and field-replaceable. The host module provides the power, initialization, and control for the card.

The installation instructions contained here are applicable to the cards described in *100 Mb/s Fast Ethernet Modular Media Interface Cards Installation* manual.

Depending on the type of physical media interface used in the card, there are differences in the attachment and removal of connectors. For more media connection information, *100 Mb/s Fast Ethernet Modular Media Interface Cards Installation* manual.

---

## Installation Preparation

### Required Tools

Digital recommends the use of, but does not supply, the following tools to install the cards:

- Phillips-head screwdriver
- Antistatic grounding strap and grounded work surface.

To prepare to install the card into the host module, complete the following steps:

---

Step	Action
1	Remove the contents from the box and be sure to keep all original packing materials. The card comes packed in protective antistatic material. You should not remove the card from the material until you are ready to install the card.
2	Check the shipment for damage and missing parts. In case of damaged or missing parts, contact your delivery agent and your Digital sales representative.
3	Check to find out if the host module supports the hot-swap feature. Refer to the host module's documentation.

---

---

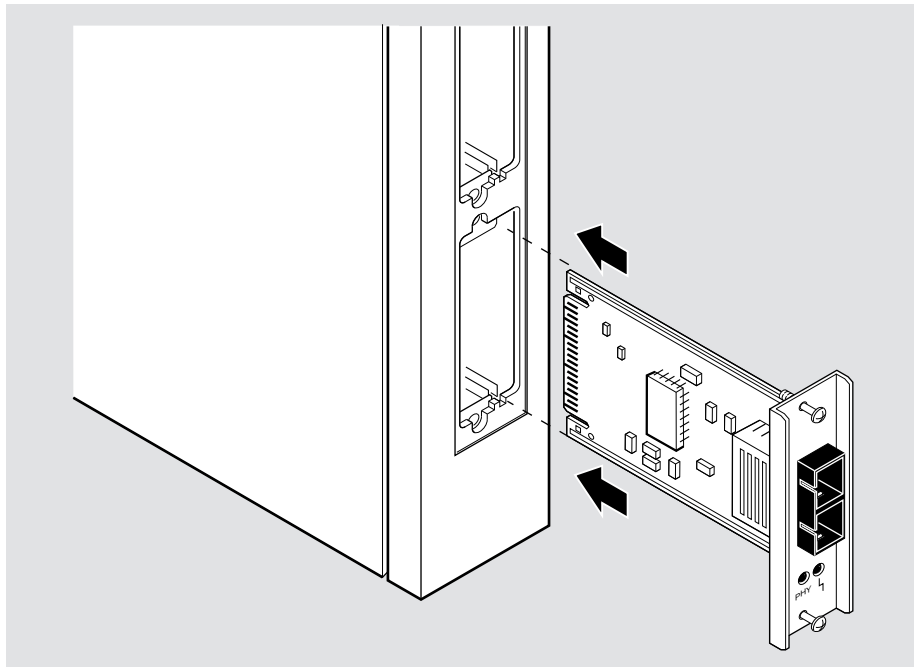
## Installation Procedure

To install the card into a host module, complete the following steps:

---

Step	Action
1	Use a Phillips-head screwdriver to remove the two screws that hold the slot cover in place, and remove the cover. Save the slot cover and screws for future use.
2	Attach one end of the antistatic wrist strap to your wrist and the other end to a chassis ground. <b>CAUTION</b> Static electricity can damage modules and electronic components. Digital recommends using a grounded antistatic wrist strap and a grounded work surface when handling any modules.
3	Remove the dust caps from the card, if necessary.
4	Hold the card by the edges on the bezel and position it so that it is parallel with the slot opening.
5	Insert the card into the slot opening and slide the card along the card guides until the bezel is flush with the module. <u>Note:</u> To prevent the screws from interfering with the card insertion, make sure that the captive screws on the bezel are partially threaded into the bezel threads.
6	Firmly fasten the card to the module with the two captive screws.

---



NPB-0703-96F