

DEC WANcontroller 618



Cabling Instructions and Specifications

Part Number: EK-A0545-CI.001

© Digital Equipment Corporation. 1992. All Rights Reserved.

Cabling Instructions

To install the DEC WANcontroller 618, perform the following steps:

- | | | |
|----|---|---------------|
| 1. | Check kit contents | See this card |
| 2. | Assemble the distribution panel | See this card |
| 3. | Install the Network Interface Card (NIC) | See Note |
| 4. | Install the distribution panel and connecting cable | See this card |
| 5. | Attach the communication cables | See this card |
| 6. | Enable the NIC | See Note |
-

Note

Details of steps 3 and 6 are in the *Installation and Service Manual* for your DECNIS.

IMPORTANT: Steps 3 and 6 can only be performed by a service person (refer to the *Installation and Service Manual* for your DECNIS).

Kit Contents

Option DNSCA-**xx** = DNSAA-AA + DNSXH-**xx**

Option DNSAA-AA

- DEC WANcontroller 618 Network Interface Card (NIC)
- 50-way loopback connector (male), DNSXT-CA
- Documentation set:

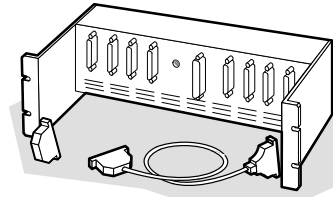
DEC WANcontroller 618 Cabling Instructions and Specifications
DEC WANcontroller 618 Problem Solving
DEC WANcontroller 618 Configuration Card
DEC WANcontroller 618 PTT Information



LKG-5734-911

Option DNSXH-**xx**

- Connecting cable, BN23A-02
- Distribution panel
- Loopback connector



LKG-5742-911

xx represents the electrical interface of the distribution panel and cable loopback connector provided with the kit.

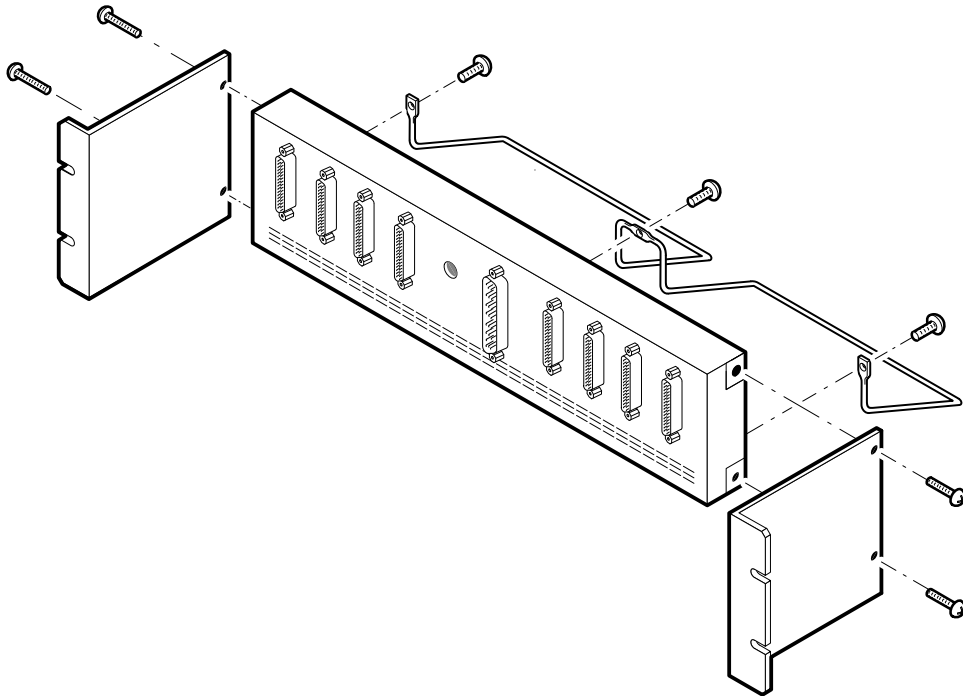
xx	Electrical Interface	Loopback Connector
AB	V.35	H3250
AC	V.11/V.36,EIA-422	H3198
AD	V.28/V.24,EIA-232D	H3266

Assembling the Distribution Panel

1. The distribution panel kit contains the following items:

- 1 distribution panel
- 2 side panels
- 1 cable rail
- 4 plastic insulating tabs
- 11 screws

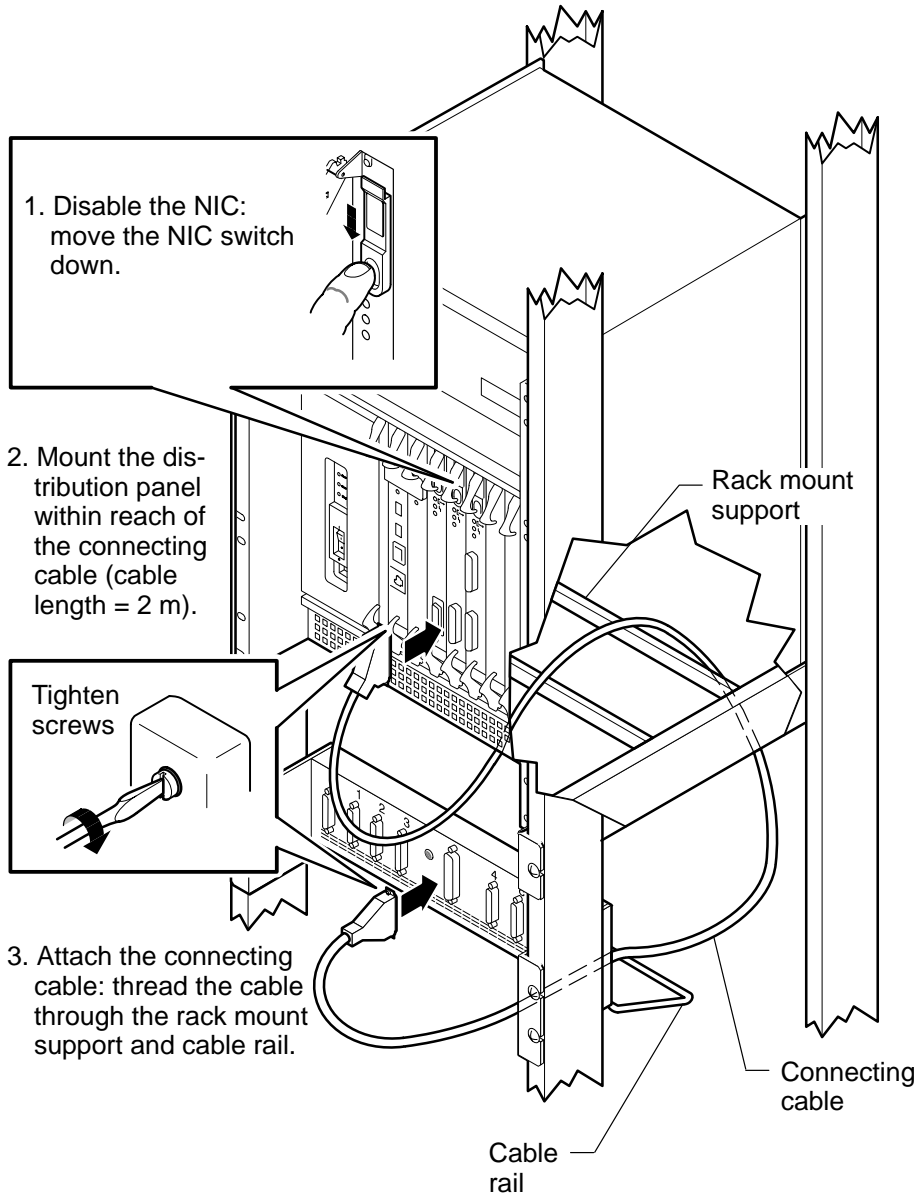
2. Assemble the distribution panel:



LKG-5855-911

Installing the Distribution Panel and Connecting Cable

Always disable the NIC *before* you attach or remove the connecting cable



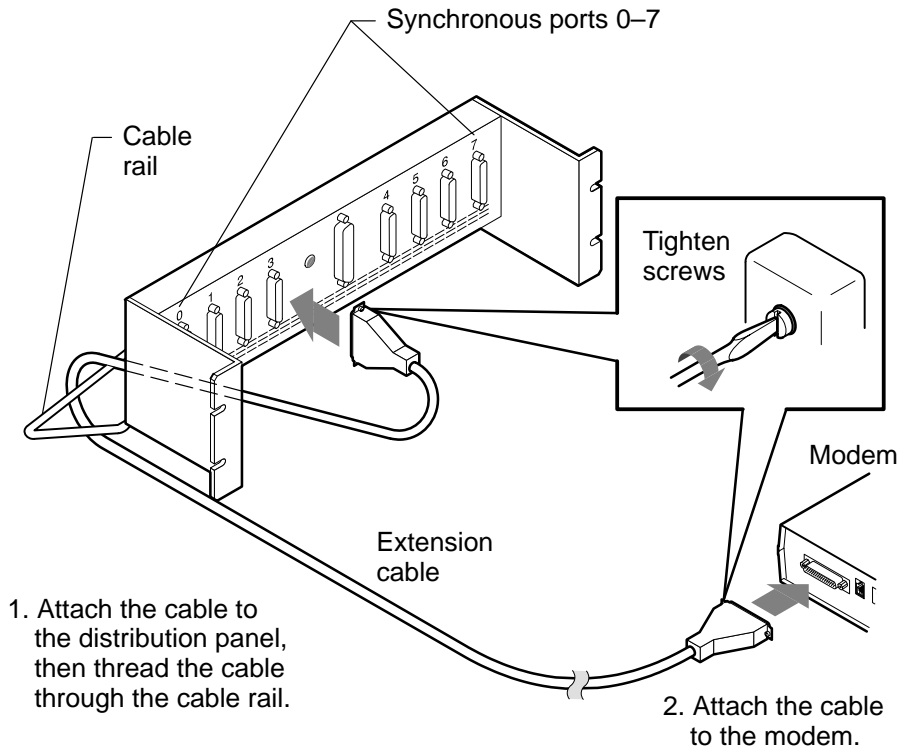
TO REMOVE THE DISTRIBUTION PANEL, disable the NIC, detach the connecting cable, then remove the panel.

LKG-5741-911

Attaching the Communication Cables

You do not need to disable the NIC when attaching these cables.

- Notes**
- V.35 The distribution panel provides ground strap holes on either side of each port.
 - V.24. EIA-232D Use an EIA-232C adapter connector (Part 12-27591-01) if you are using EIA-232C devices.
 - BT Kilostream[®] Use the BT Kilostream adapter cable with the V.11/V.36, EIA-422 distribution panel.



TO REMOVE THE CABLE, unfasten the cable plug screws before you detach the cable from the distribution panel and modem.

Cabling Information

Extension Cables

Electrical Interface	Part number
V.24/V.28, EIA-232D	BC22F-xx
V.36/V.11, EIA-422	BC55D-xx
V.35	BC19L-xx
For BT Kilostream® extension (see below)	BC22Z-xx

where **xx** represents cable lengths as follows:

25	7.6 m (25 ft)
50	15.2 m (50 ft)
75	22.9 m (75 ft)
A0	30.5 m (100 ft)

In NET countries (Normes Europiennes de Telecommunications), the total length of V.35 cable must not exceed 27 feet.

BT Kilostream

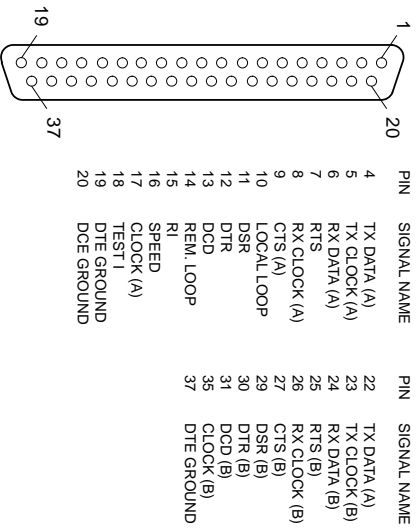
There is no distribution panel for BT Kilostream. Connect to BT Kilostream through the V.36 distribution panel: use the BT Kilostream adapter cable (part no. BC21G-02).

If the connection needs to be extended, use X.21 synchronous cables.

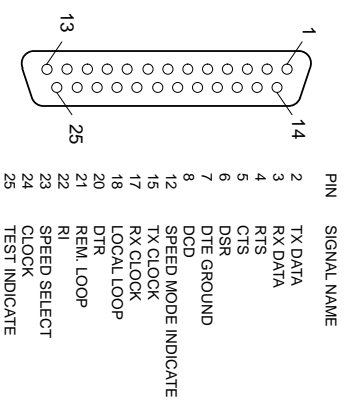
® Kilostream is a registered trademark of British Telecommunications, plc.

Pin Assignments

V.36/V.11, EIA-422 (37-way)

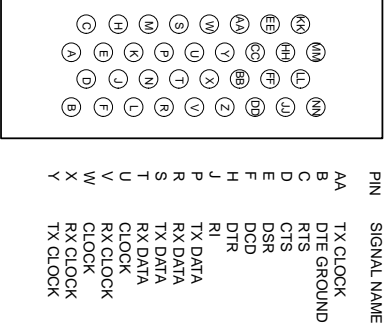


V.24/V.28, EIA-232D (25-way)

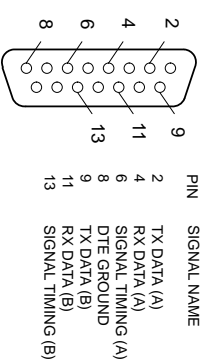


NOTE for V.24 / V.28, EIA-232D:
Use the EIC-232C adapter connector if using EIA-232C devices.

V.35 (34-way)



BT KiloStream (15-way)



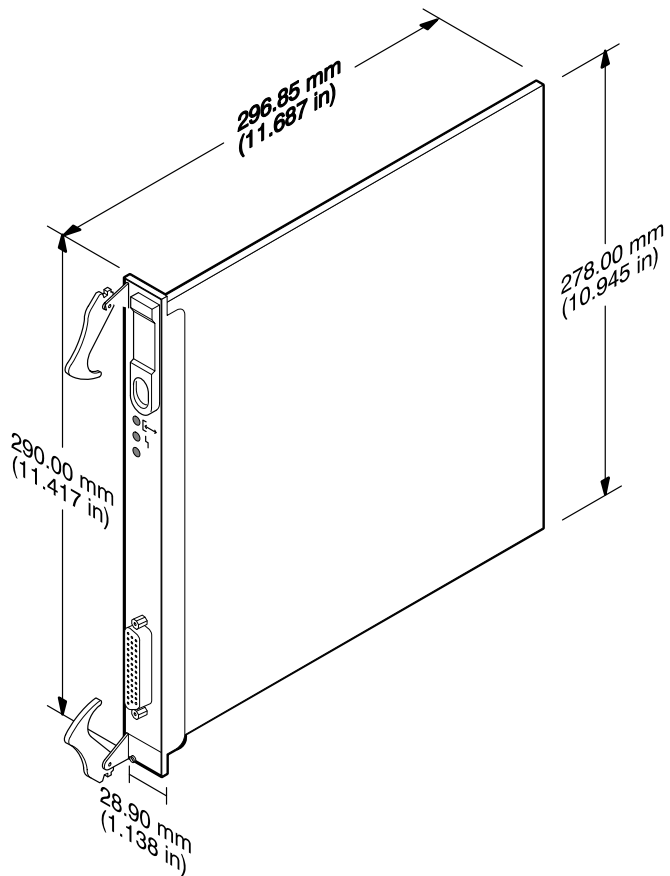
Specifications

Communication Specifications

Line speeds	0.3–64.0 Kbits/s
Number of lines	8
Line interfaces	V.36/V.11, EIA-422 V.24/V.28, EIA-232D V.35 BT Kilostream (see <i>Cabling Information</i>)
NRZI signalling	Optional
Modem control	Full control on each line, except BT Kilostream

Physical Specifications

Weight = 0.6 kg (1.325 lb)



LKG-5736-911