

DEC WANcontroller 622



Cabling Instructions and Specifications

Part Number: EK-A0549-C1.001

© Digital Equipment Corporation. 1992. All Rights Reserved.

Cabling Instructions

To install the DEC WANcontroller 622, perform the following steps:

- | | | |
|----|--|---------------|
| 1. | Check kit contents | See this card |
| 2. | Install the Network Interface Card (NIC) | See Note |
| 3. | Attach the communication cables | See this card |
| 4. | Enable the NIC | See Note |
-

NOTE

Details of steps 2 and 4 are in the *Installation and Service Manual* for your DECNIS.

IMPORTANT: Steps 2 and 4 can only be performed by a service person (refer to the *Installation and Service Manual* for your DECNIS).

Kit Contents

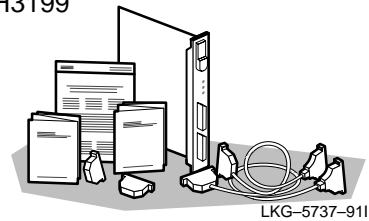
Option DNSAB-AA

- DEC WANcontroller 622 Network Interface Card (NIC)
- 50-way loopback connector (female), H3199
- Documentation set:
 - DEC WANcontroller 622 Cabling Instructions and Specifications*
 - DEC WANcontroller 622 Problem Solving*
 - DEC WANcontroller 622 Configuration Card*
 - DEC WANcontroller 622 PTT Information*



Option DNSCB-xx

- DEC WANcontroller 622 Network Interface Card (NIC)
- 50-way loopback connector (female), H3199
- Documentation set:
 - DEC WANcontroller 622 Cabling Instructions and Specifications*
 - DEC WANcontroller 622 Problem Solving*
 - DEC WANcontroller 622 Configuration Card*
 - DEC WANcontroller 622 PTT Information*



- 2 Adapter cables
- Cable loopback connector

xx represents the electrical interface of the adapter cable and cable loopback connector provided with the kit.

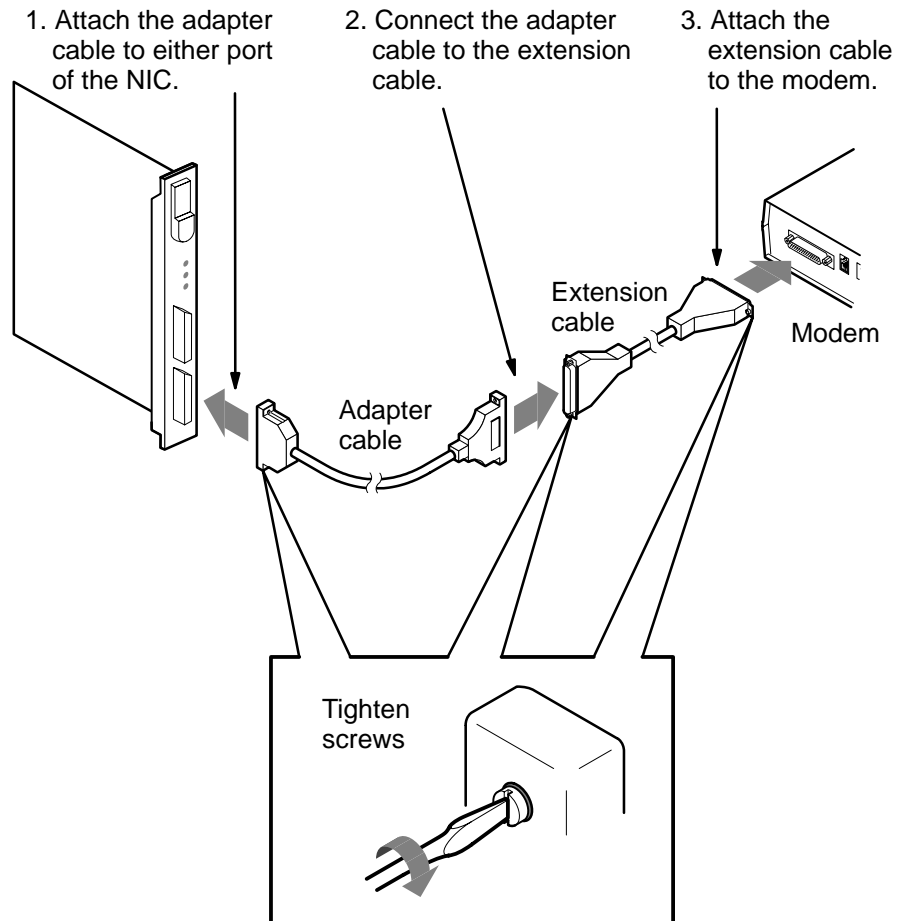
xx	Electrical Interface	Loopback Connector
AA	X.21 leased line, BT Kilostream ®	None
AB	V.35	H3250
AC	V.36/V.11, EIA-422	H3198

® Kilostream is a registered trademark of British Telecommunications, plc.

Attaching the Communication Cables

You do not need to disable the NIC when attaching these cables.

You can connect the NIC to any combination of supported interfaces, for example, V.35 to port 1 and V.36 to port 0.



TO REMOVE THE CABLE, unfasten cable plug screws before you detach the cable.

Cabling Information

Adapter cables

Electrical Interface	Part Number
V.36/V.11, EIA-422	BC19B-02
V.35	BC19F-02
X.21 leased line, BT Kilostream	BC19C-02

Extension cables

Electrical Interface	Part Number
V.36/V.11, EIA-422	BC55D-xx
V.35	BC19L-xx
X.21 leased line, BT Kilostream	BC22Z-xx

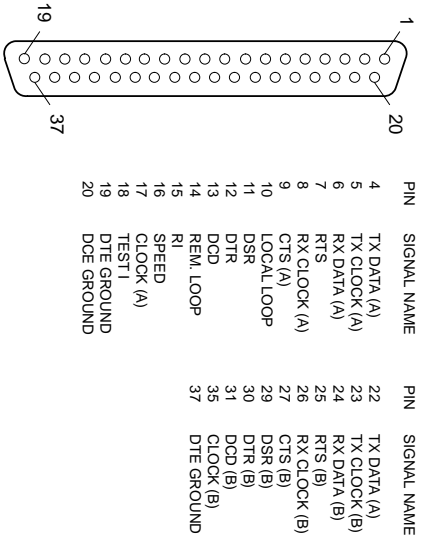
where **xx** represents cable lengths as follows:

25	7.6 m (25 ft)
50	15.2 m (50 ft)
75	22.9 m (75 ft)
A0	30.5 m (100 ft)

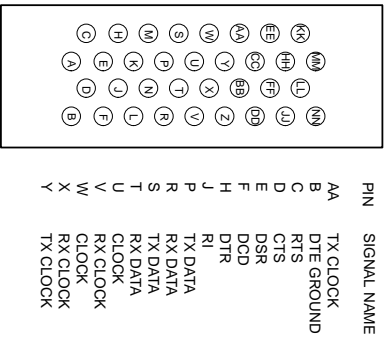
In NET (Normes Europiennes de Telecommunications) countries, the total length of V.35 cable must not exceed 27 feet.

Pin Assignments

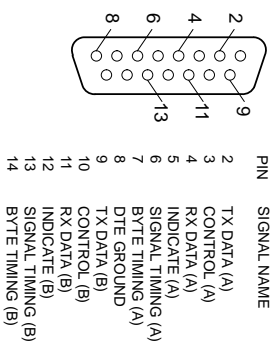
V.36/V.11, EIA-422 (37-way)



V.35 (34-way)



X.21, leased line (15-way)



NOTE for X.21:
The DECEMANcontroller 622 needs correct use of the indicate signal to receive data. To connect the system to interfaces without these signals, you will need extra network-specific cabling.

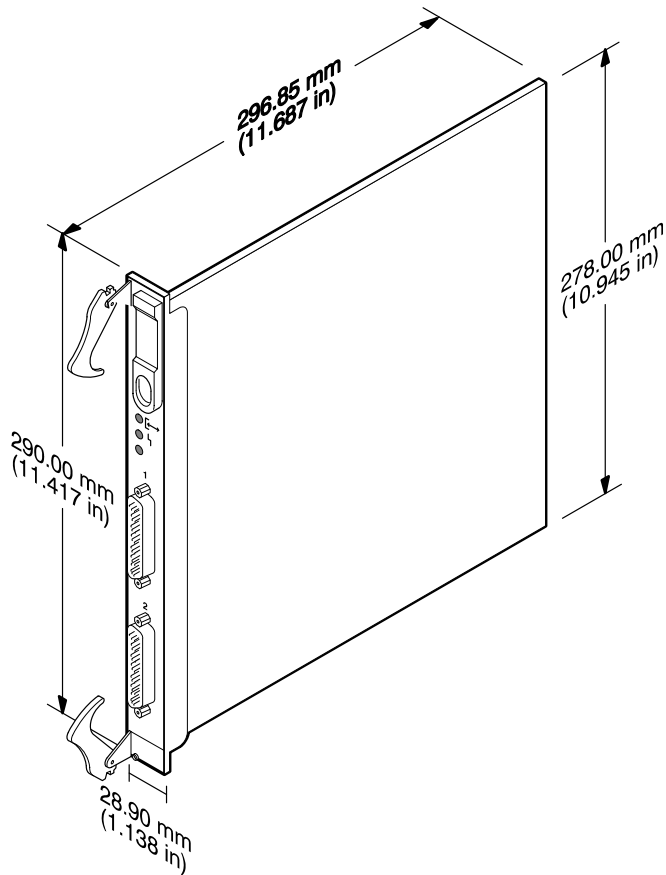
Specifications

Communication Specifications

Line speeds	T1/E1 (56 Kbits/s – 2.048 Mbits/s)
Number of lines	2
Line interfaces	V.36/V.11, EIA-422 V.35 X.21 leased line BT Kilostream
NRZI signalling	Optional
Modem control	Optional

Physical Specifications

Weight = 0.6 kg (1.325 lb)



LKG-5739-911