



# DIGITAL™ Server 7100 Series

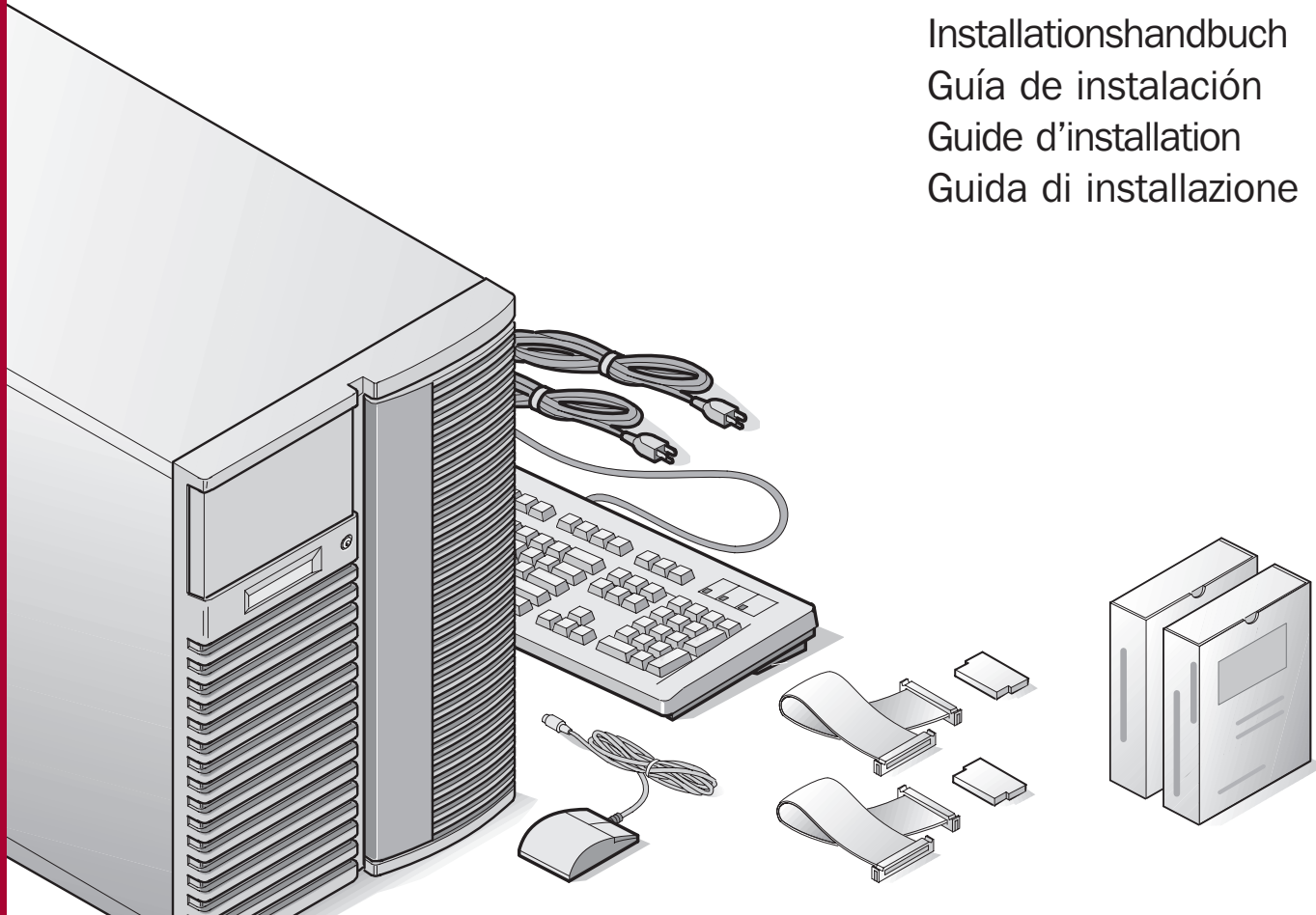
# Installation Guide

Installationshandbuch

Guía de instalación

Guide d'installation

Guida di installazione



# Thank You

*... for purchasing a DIGITAL Server 7100. The DIGITAL Server family represents DIGITAL's continued commitment to Uncompromising Quality, backed by award-winning Customer Service and Support. The following procedures will help you easily set up your server's hardware and software.*

## **DIGITAL ServerWORKS Quick Launch**

DIGITAL ServerWORKS **Quick Launch** delivers unparalleled achievement in streamlining the installation and configuration of hardware components and network operating system software on the DIGITAL Server line of products. Quick Launch combines an intuitive interface and versatile, time saving features to produce a consistent and accurate installation optimized for DIGITAL's extremely powerful and highly acclaimed DIGITAL Servers.

In addition to its automated yet extensible method of express installations for Network Operating Systems, Quick Launch provides a comprehensive archive of server documentation, troubleshooting assistance, and indispensable configuration utilities; all on one bootable CD!

## **Before You Begin**

Select a suitable area for assembly and use. Ensure that your workspace:

- Is located next to electrical outlets and a telephone jack
- Is free from excessive heat, dust, and direct sunlight
- Allows at least 7 inches of clearance on all sides for proper air flow
- Is in accordance with local and regional electrical regulations governing the installation of Information Technology Equipment by licensed electricians

See "Technical Specifications" in your *System Reference* manual for temperature and humidity information.

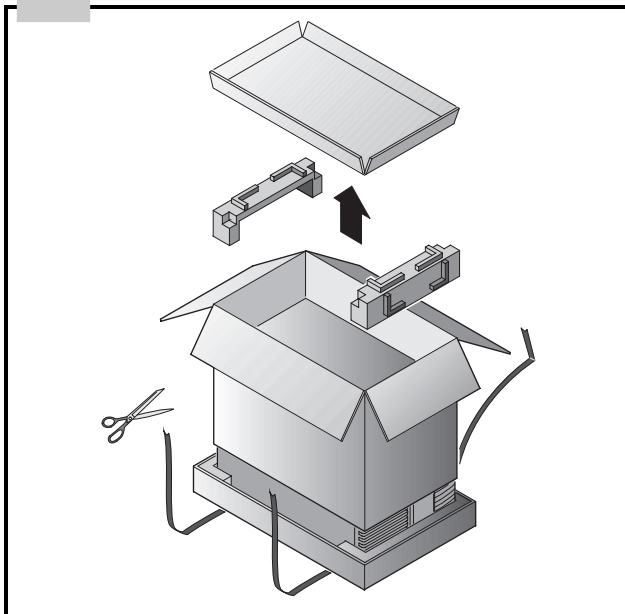
If you do not wish to install the server yourself, contact your DIGITAL authorized service provider. A Customer Service Technician can install the server for you.



### **WARNING**

Use extreme care when unpacking your server. Due to its weight, two people are required to unpack it. Failure to use two people might violate certain safety regulations and can result in severe personal injury or equipment damage.

# 1 Unpack your server

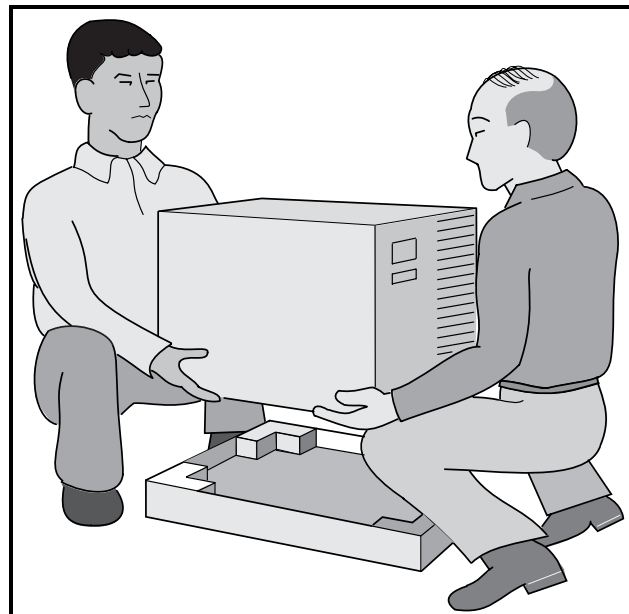


## WARNING

The server is heavy. Do not lift it alone.

Unpack your server following the diagrams on the box top. Use a mechanical aid or get someone to help you lift it from the carton base.

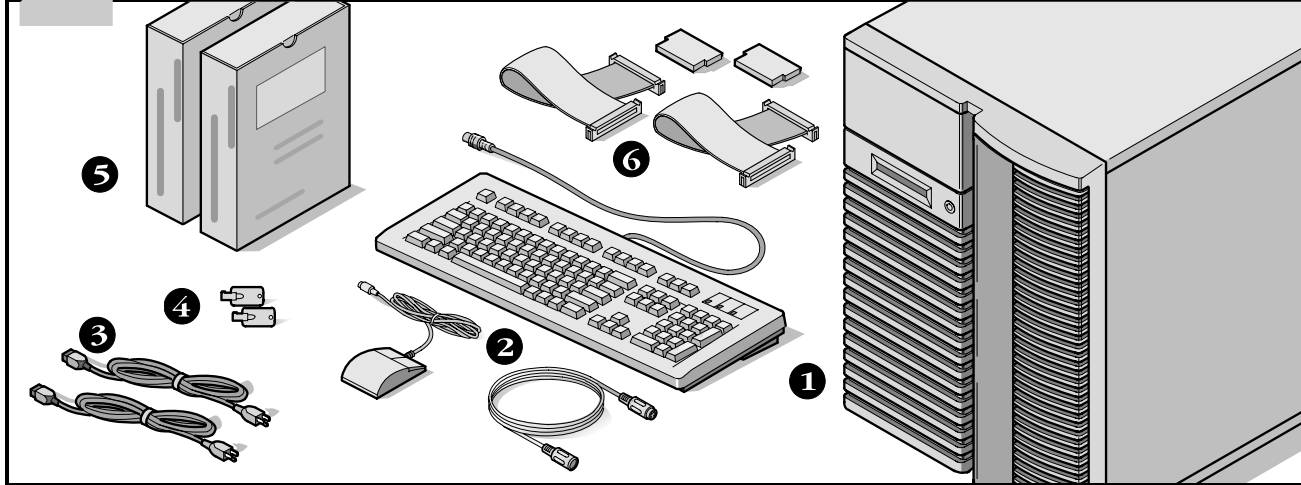
- Know where you're going to set it down before you lift.
- Roll the server on its wheels rather than carry it.
- Get close to the server with your feet apart for stable footing.



- Squat down with your knees bent and your back straight.
- Get a firm grip, lift with your legs, and keep your back straight.
- Avoid twisting your upper body. Move your feet to turn.
- Lower the server gently using leg muscles to squat and keeping your back straight.
- Roll the server into place and lock the brake as shown in Step 3, Note **A**.

After your server has been unpacked, please recycle the packing materials or dispose of them properly.

## 2 Check the parts



Unpack and identify your server's components.

- ① DIGITAL Server 7100
- ② Country kit including keyboard, keyboard extension cable and mouse (ordered separately)
- ③ Up to 3 power cords
- ④ Server keys
- ⑤ Server software and documentation kits including printed manuals and the Quick Launch CD-ROM with on-line documentation
- ⑥ SCSI cables and terminators (in some configurations, you may have up to three loose cables in addition to the cables already installed.)

### NOTE

Monitor must be ordered separately.

The DIGITAL ServerWORKS software kit includes:

- ServerWORKS Quick Launch: ServerWORKS Quick Launch CD-ROM disc and *Getting Started* guide.
- ServerWORKS Manager: ServerWORKS Manager software and documentation.

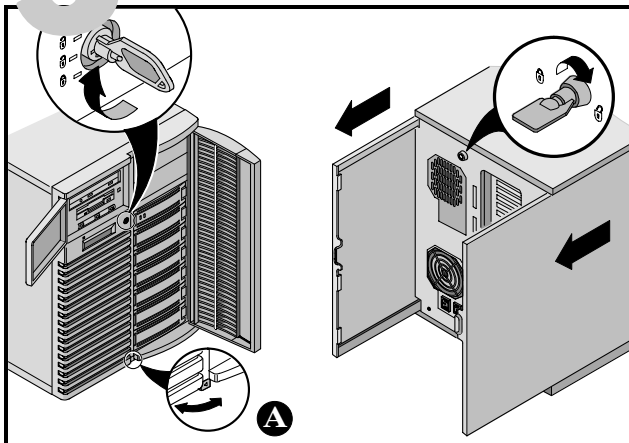
The DIGITAL Server 7100 Series documentation kit includes:

- This *Installation Guide*, *System Reference* manual, *Documentation Overview*, *Warranty and Service Information*, and *Registration Card*.

### NOTE

On-line documentation is also contained on the Quick Launch CD-ROM.

## 3 Install any internal options



If you have options to install, install them now.

1. Unlock doors.
2. Unlock side panels.
3. Remove side panels.
4. Install options.

Refer to the following chapters in the *System Reference* manual for detailed information.

- Server Software and Utilities
- Processor Module Upgrades
- Installing Additional Memory
- Installing Disk and Tape Drives
- Connecting SCSI and RAID Adapters

Also, refer to the documentation that came with the option kit for specific installation instructions.



### CAUTION

Removing the side panels activates the power interlock switches. These switches turn off power to your server. You might injure yourself or damage the server if you attempt to override or bypass these switches. Always replace the side panels before you turn on power to the server.

Before touching any circuit board or component, wear an anti-static wrist strap, properly grounded to the server chassis, or touch the metal frame to discharge any static electricity.

### NOTES

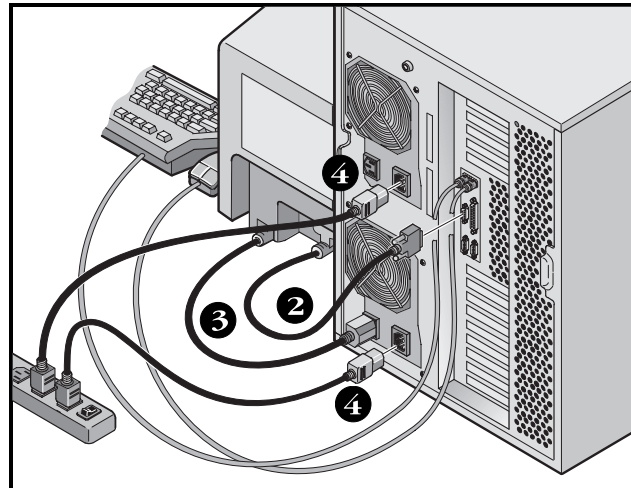
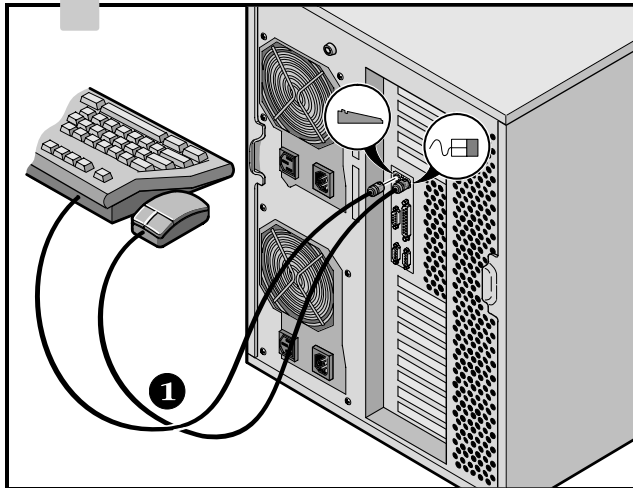
Use the brake located at the bottom of your server (A) to lock your server in place.

ISA cards should be installed *after* you run the System Configuration Utility in Step 7 or 8 since the SCU will list IRQs already used.

If you plan to use Quick Launch to install your Network Operating System, your server must meet the following minimum requirements to proceed with the server installation:

- 16 MB of RAM
- SVGA monitor
- 540 MB minimum hard disk drive
- Two or three button mouse
- CD-ROM drive with boot capability attached to the bootable SCSI controller
- Keyboard

# 4 Connect the cables and power cord



1. Connect the mouse and keyboard cables into the corresponding connectors at the back of the server.
2. Place your monitor near your server. Connect the monitor signal cable to the back of the monitor and then connect it to the matching connector at the back of your server.
3. Connect the monitor power cord to the back of the monitor and then connect it to the matching connector at the back of your server or into a wall outlet.
4. Connect both ac power cords to the server, then to your power outlet.
5. If you installed a network card, connect the network cable now. Refer to the manufacturer's documentation for more information.

## NOTE

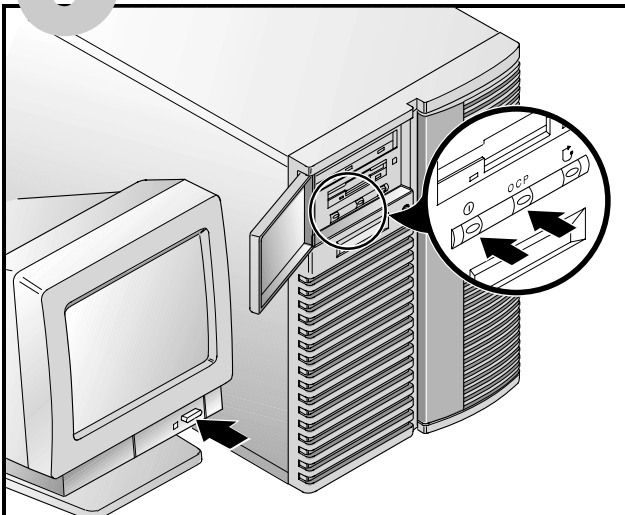
Some large screen monitors (17-inch diagonal and over) require more power than the server's auxiliary ac outlet can supply. These monitors will have power cords that must be connected directly into a wall outlet.



## CAUTION

Do not attempt to modify or use an external 100 Vac (Japan only) or 115 Vac power cord for 240 Vac input power. Modifying either cord can cause severe equipment damage.

## 5 Turn on the monitor and then the server



1. Turn on the monitor.
2. Turn on the server.
3. The Operator Control Panel (OCP) display should turn on by itself. If it doesn't, press the OCP button.
4. Adjust the monitor contrast and brightness to obtain a readable screen display.

### NOTE

Refer to your *System Reference* manual for BIOS, Power-on-self-test (POST), and OCP messages.

Front panel switch icons are, from left to right, power, OCP backlight, and server reset.

# 6

## If you're installing optional expansion cards

Make sure you are familiar with using:

- The System Configuration Utility (SCU)
- RAID utilities
- The SCSI*Select* Utility

Refer to your *System Reference* manual, SCSI, and RAID manuals for any additional information.

ISA cards should be installed *after* you run the System Configuration Utility, since the SCU will list IRQs already used. PCI and EISA cards should be installed *before* running the SCU to take advantage of the SCU's automatic detection feature.

Use the Quick Launch CD-ROM disc to complete the server installation. Follow these steps to configure your server.

1. Locate the Quick Launch CD-ROM disc in your DIGITAL ServerWORKS software kit. Power on your server and insert the CD-ROM disc.

If your server fails to boot from the CD-ROM, press Ctrl + Alt + Del, then Ctrl + A, when prompted, to run the SCSI*Select* utility. Enable the bootable CD-ROM and INT13 lines. Exit and reboot.

2. Use the SCU, when displayed, to configure the EISA option cards you installed or to enable the PCI cards. If you installed ISA cards, check the current card configuration to avoid IRQ conflicts before manually setting jumpers and switches.

Your server automatically reboots after you save and exit the SCU.

3. If you installed a RAID controller, the RAID configuration utility will be displayed next. Configure your server for RAID.

### NOTE

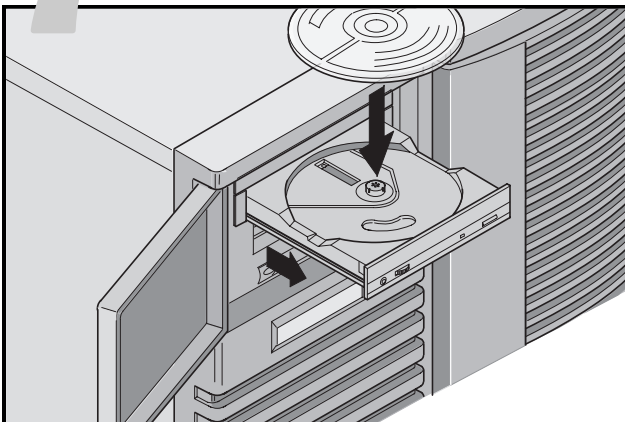
---

If you installed additional SCSI or RAID cards, make sure the MS-DOS partition resides on the drive on which you want it to be. If not, shut down your server, change the order of your cards, and reconfigure your server.

---



## 7 Run the Quick Launch CD-ROM program



Use the Quick Launch CD-ROM disc to complete the server installation. Follow these steps to configure your server and install an operating system.

### NOTE

If you installed optional expansion card(s), you first need to perform the instructions on the previous page.

1. Locate the Quick Launch CD-ROM disc in your ServerWORKS software kit. Power on your server and insert the CD-ROM disc.

If your server fails to boot from the CD-ROM, press Ctrl + Alt + Del, then Ctrl + A, when prompted, to run the *SCSISelect* utility. Enable the bootable CD-ROM and INT13 lines. Exit and reboot.

2. When prompted, you can create an MS-DOS partition size appropriate for your operating system. The system prompts you to confirm your choice. Note that Windows NT requires a partition size of 35 MB. Other Windows operating systems require 30 MB.

The Quick Launch main screen appears, and all utilities and related files (SCU, diagnostics, RAID, etc.) are installed onto the MS-DOS partition.

3. Select *Installations & Utilities* from the Quick Launch main screen. Choose *Express* to automatically install Microsoft Windows NT or Novell NetWare. *Create Diskettes* allows you to create the utilities and driver diskettes required when installing SCO UNIX, OS/2, Microsoft Windows NT, or Novell NetWare manually.

Refer to the *ServerWORKS Quick Launch Getting Started* guide included with the ServerWORKS software kit for detailed installation procedures.

# 8

## Express operating system installation

### Express Installation of Microsoft Windows NT Server & Novell NetWare

---

You will be asked to provide the following information before you can *Express* install Microsoft Windows NT or Novell NetWare operating systems.

#### *Windows NT Server*

Full Name \_\_\_\_\_

Organization Name \_\_\_\_\_

Server Name \_\_\_\_\_

NT CD Key \_\_\_\_\_

NT Server Type \_\_\_\_\_

License \_\_\_\_\_

Time Zone \_\_\_\_\_

Work Group Name/Domain \_\_\_\_\_

#### Network

Install NWLink

Install NetBEUI

Install TCP/IP

#### File System

NTFS

FAT

Apply Service Packs

#### Application Install

Install Oracle

Internet Information Server

#### *Novell NetWare*

Server Name \_\_\_\_\_

Organization Name \_\_\_\_\_

Directory Tree Name \_\_\_\_\_

Administrator Password \_\_\_\_\_

Frame Type \_\_\_\_\_

IPX External Network Number \_\_\_\_\_

Time Zone \_\_\_\_\_

Fill in the information as required. Have your Microsoft Windows NT or Novell NetWare software kit ready. Follow the instructions on the screen to begin your operating system installation.

#### **NOTE**

The Internet Information Server application is available only when "Install TCP/IP" is selected.

---

## 9

## Creating server utility and device driver diskettes

If desired, you can create the required diskettes from Windows-based workstations using these procedures:

1. Locate the Quick Launch CD-ROM disc in your ServerWORKS software kit. Insert the CD-ROM disc into the CD-ROM drive.
2. From the Start Menu, select *Run qlaunch.exe* from the root directory of the CD-ROM disc. The program will start automatically if Windows 95 or Windows NT V4.0 and greater are installed.
3. Select the *Installations & Utilities* button.
4. Choose either the *Create Diskettes* tab or the *Utilities* tab. *Utilities* is the default. If you choose *Create Diskettes*, first select a model, then a network operating system and its version. Select Continue. If you choose *Utilities*, select a server model to see the utilities for that server.
5. Select the utility or driver you want then select Continue.
6. Insert a formatted, high density diskette into Drive A and select Continue.

### NOTE

For more information, refer to the *ServerWORKS Quick Launch Getting Started* guide and the on-line help in the ServerWORKS Quick Launch program.

The following is a list of device drivers you might need:

- SCSI—enables your server to operate using the factory-installed Adaptec SCSI adapter.
- Video—enables your server to operate using the on-board video controller or other supported video cards.
- RAID—enables your server to operate using a Mylex RAID controller.
- Network—choose from several device drivers for DIGITAL supported network interface cards.

The following is a list of bootable server utilities:

- SCU—enables you to make a bootable SCU diskette for use when configuring your server and adding options.
- RAID—enables you to make a bootable RAID configuration utility diskette for use when configuring your RAID array.
- Diagnostics—enables you to make bootable diskettes for use when troubleshooting your server.

# 10

## Register your server and review your documentation

### Register

---

1. Record the server's model number and serial number here.

- Server Family Description:

DIGITAL Server 7000

(located on the front of the server)

- Server Model Number:

(located on the back of the server)

- Server Serial Number:

(located on the back of the server)

2. Send in the registration card contained in your DIGITAL Server Documentation box.

### Warranty

---

- 3-year on-site hardware warranty.
- Refer to your Warranty and Service Information for specific warranty terms and conditions.

### If You Need Help

---

If you have questions about your server hardware, software, or warranty, please contact DIGITAL's Customer Service organization.

### *Before You Call DIGITAL*

1. Run the diagnostics shipped with your server to isolate the problem. You can run the diagnostics from the MS-DOS partition created by Quick Launch, or you can create diagnostics diskettes from Quick Launch by using the *Utilities* option located under the *Installations & Utilities* button.
2. Have the server's model number and serial number available before you call.
3. Record any error messages and be prepared to describe the sequence of events that led to your problem.
4. Call 1-800-354-9000.

### *For Technical Support*

Technical information is available 24 hours a day on the Internet. For product information, use the address:

<http://www.windows.digital.com>

For technical support, use the address:

<http://www.windows.digital.com/support/support.asp>

For access directly to the software library for BIOS and driver updates, use the address:

<http://www.windows.digital.com/~ftp/00-index.stm>

# 11

## Install the DIGITAL ServerWORKS Manager software

After your server and network operating system installation is complete, install the DIGITAL ServerWORKS Manager software to:

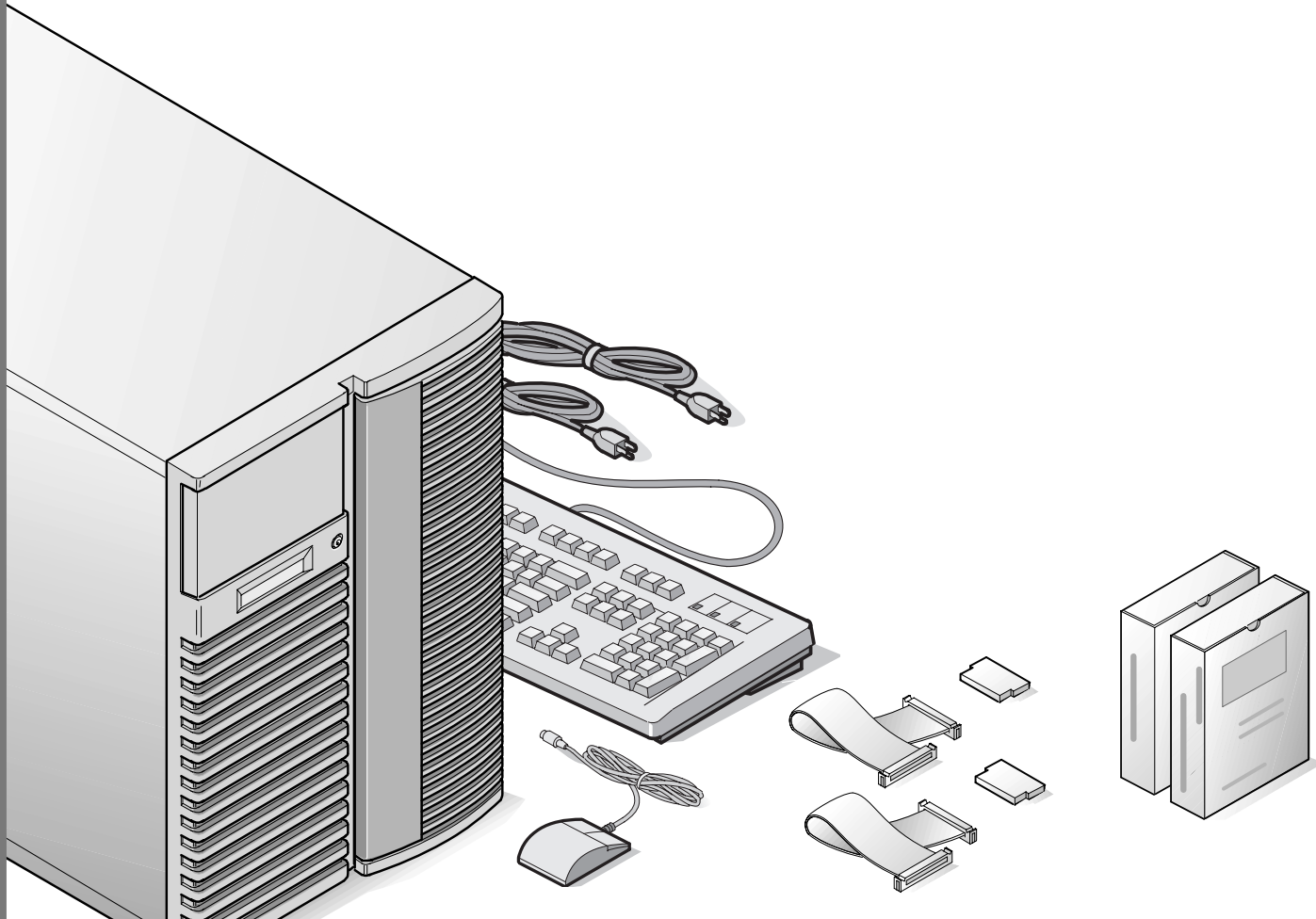
- Access an easy-to-use server management interface
- Monitor critical PC server statistics
- Obtain an easy-to-read topology map of the network
- Manage server fault conditions
- Support distributed SNMP network devices from anywhere on the LAN

### **NOTE**

Refer to the Overview and Installation Guide in the DIGITAL ServerWORKS Manager software kit for installation information and a list of supported operating systems.



# **DIGITAL-Server der Baureihe 7100    Installationshandbuch**



# Herzlich Willkommen

*... im Kreis der DIGITAL 7100 Server-Kunden.*

*Die DIGITAL Server-Familie bietet kompromißlose Qualität zusammen mit preisgekröntem Kundendienst und Support. Die nachfolgenden Anweisungen werden Ihnen helfen, die Server-Hardware und -Software schnell und problemlos einzurichten.*

## **DIGITAL ServerWORKS Schnellstart**

Mit dem DIGITAL ServerWORKS Schnellstartprogramm ist das Installieren und Konfigurieren von Hardware und Netzwerk-Betriebssystemen auf den Servern von DIGITAL so einfach wie noch nie. Das Schnellstartprogramm kombiniert eine intuitive Benutzeroberfläche mit flexiblen, zeitsparenden Funktionen. Die Installation ist exakt, konsistent und für die hoch angesehenen, leistungsstarken Server optimiert.

Neben einer automatisierten aber gleichzeitig flexiblen Methode der Expressinstallation für Netzwerk-Betriebssysteme bietet das Schnellstartprogramm auf einer neustartfähigen CD ein umfassendes Archiv an Server-Dokumentation, Hinweisen zur Fehlerbeseitigung und praktischen Dienstprogrammen.

## **Bevor Sie anfangen**

Wählen Sie einen geeigneten Montage- und Standort aus, der folgenden Anforderungen genügt:

- Netz- und Telefonsteckdosen müssen erreichbar sein.
- Er ist weder übermäßiger Hitze, starker Staubentwicklung noch direkter Sonneneinstrahlung ausgesetzt.
- Zur ordnungsgemäßen Belüftung müssen auf allen Seiten mindestens 18 cm Abstand vorhanden sein.
- Der Aufstellungsort muß alle lokalen bzw. regionalen elektrotechnischen Auflagen betreffend der Installation von Informationstechnologiegeräten durch geprüfte Elektriker erfüllen.

Nähere Informationen zu Temperatur und Luftfeuchtigkeit finden Sie unter „Technische Daten“ im Systemreferenzhandbuch.

Falls Sie den Server nicht selbst installieren wollen, setzen Sie sich mit dem DIGITAL-Kundendienst in Verbindung. Ein Kundendiensttechniker wird die Installation vornehmen

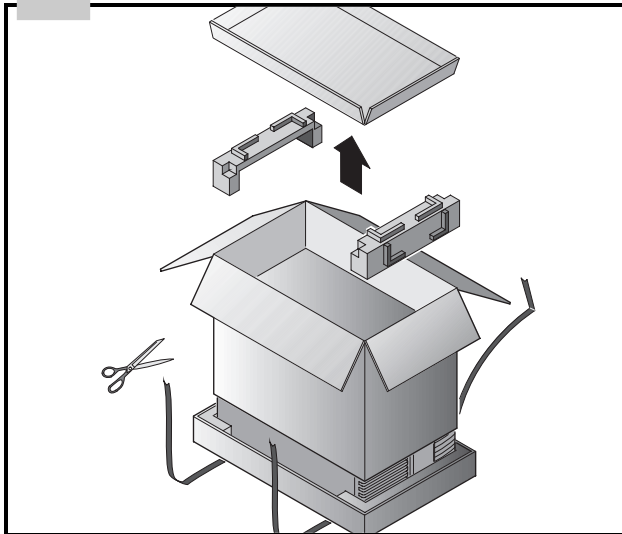


### **VORSICHT**

Den Server unter größter Vorsicht auspacken. Auf Grund seines hohen Gewichts benötigt man zum Auspacken stets zwei Personen. Zuwiderhandlung kann einen Verstoß gegen bestimmte Sicherheitsvorschriften darstellen sowie zu Personen- oder Sachschaden führen.

# 1

## Auspacken des Servers

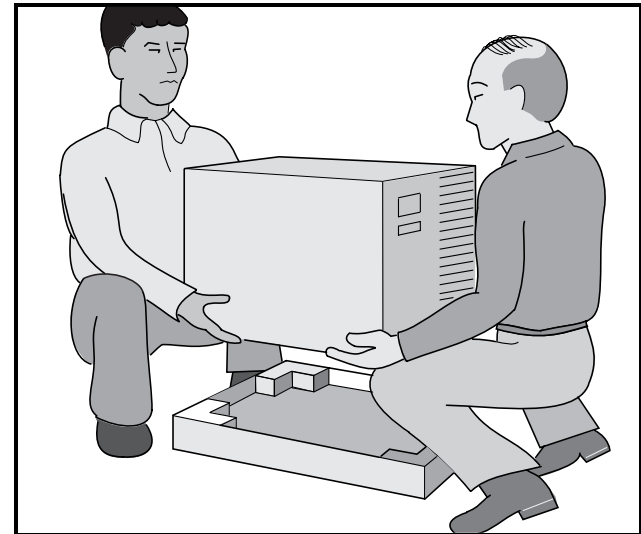


### VORSICHT

Der Server ist schwer. Heben Sie ihn nicht alleine.

Befolgen Sie beim Auspacken die Anweisungen in den Diagrammen auf der Oberseite der Kiste. Verwenden Sie eine mechanische Hebehilfe oder bitten Sie jemand um Hilfe und heben Sie ihn von der Kartonbasis.

- Legen Sie vor dem Heben fest, wo Sie den Server absetzen wollen.
- Wir empfehlen den Server auf seinen Rollen zu schieben bzw. zu ziehen anstatt ihn umherzutragen.
- Stellen Sie sich mit den Füßen auseinander und mit gutem Halt vor den Server.

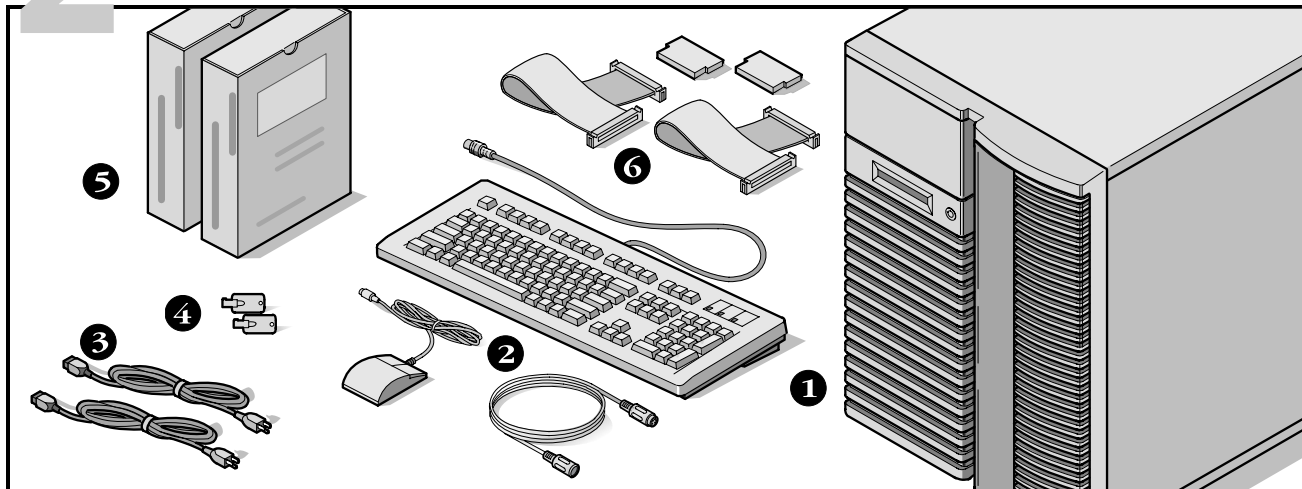


- Beugen Sie Ihre Knie und halten Sie Ihren Rücken dabei gerade.
- Suchen Sie einen festen Griff am Gehäuse. Heben Sie mit Ihren Beinen und halten Sie Ihren Rücken dabei unbedingt gerade.
- Vermeiden Sie eine Verwindung Ihres Oberkörpers. Drehen Sie sich mit Ihren Füßen.
- Vorsichtig absetzen und dabei Beinmuskeln einsetzen. Halten Sie Ihren Rücken gerade.
- Rollen Sie den Server an seinen Aufstellungsort und setzen Sie die Bremse wie in Arbeitsschritt 3, Hinweis **A** beschrieben.

Nachdem der Server ausgepackt ist, bitte wir Sie, für das Recycling der Verpackungsmaterialien zu sorgen bzw. dieses ordnungsgemäß zu entsorgen.



## 2 Teile überprüfen



Packen Sie die Teile des Servers aus und machen Sie sich mit ihnen vertraut.

- ① DIGITAL Server 7100
- ② Landespaket mit Tastatur, Tastaturkabel und Maus (separat zu bestellen).
- ③ Je nach Konfiguration bis zu 3 Netzkabel
- ④ Server-Schlüssel
- ⑤ Server-Software- und Dokumentations-Pakete mit den gedruckten Handbüchern und der Quick Launch CD-ROM mit der Online-Dokumentation.
- ⑥ SCSI-Kabel und -Terminator (Je nach Konfiguration sind bis zu drei lose Kabel zusätzlich zu den bereits installierten Kabeln vorhanden).

### HINWEIS

Bildschirm muß separat bestellt werden.

Zum DIGITAL ServerWORKS-Softwarepaket gehören:

- ServerWORKS Schnellstart: ServerWORKS Schnellstart-CD-ROM und *Handbuch für den direkten Einstieg*.
- ServerWORKS Verwaltung: ServerWORKS Verwaltungssoftware und Dokumentation.

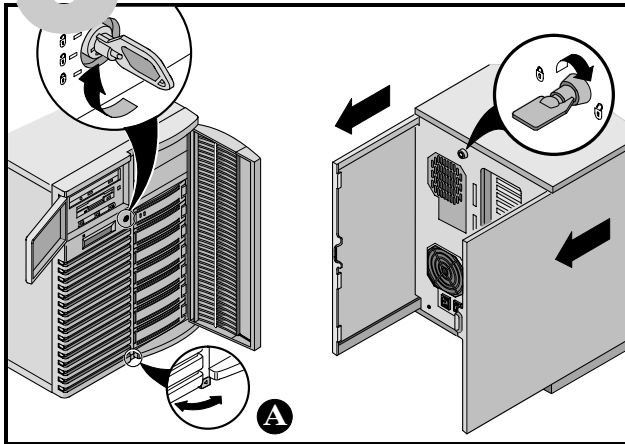
Zum 7100 DIGITAL Server-Dokumentationspaket gehören:

- Dieses *Installationshandbuch*, die *Systemreferenz*, die *Dokumentationsübersicht*, Garantie- und Service-Informationen und Registrierungskarte.

### HINWEIS

Die Online-Dokumentation befindet sich auf der Quick Launch CD-ROM.

# 3 Installation interner Optionen



Etwaige interne Optionen müssen jetzt installiert werden.

1. Türen entriegeln.
2. Seitenabdeckungen entriegeln.
3. Seitenabdeckungen abnehmen.
4. Installation Optionen

Weitere Informationen finden Sie in den folgenden Kapiteln des *Systemreferenzhandbuchs*.

- Server-Software und Dienstprogramme
- Prozessormodul-Upgrades
- Installieren von zusätzlichem Speicher
- Installieren von Festplatten- und Bandlaufwerken
- Anschließen von SCSI- und RAID-Adaptern

Spezifische Einzelheiten zur Installation von Optionen finden Sie in der mit den Optionen mitgelieferten Dokumentation.

## ⚠ ACHTUNG

Das Entfernen der Seitenabdeckungen aktiviert Verriegelungsschalter, die den Stromfluß zum Server unterbrechen. Ein Überbrücken dieser Schalter kann zu Personen- oder Sachschäden führen. Vor dem Einschalten des Servers müssen die Seitenabdeckungen angebracht sein.

Bevor Sie eine Leiterplatte oder ein Bauteil berühren sollten Sie eine Antistatik-Armband tragen, das über das Server-Chassis geerdert ist, oder den Metallrahmen des Servers berühren, um ggf. existierende statische Aufladung zu eliminieren.

## HINWEIS

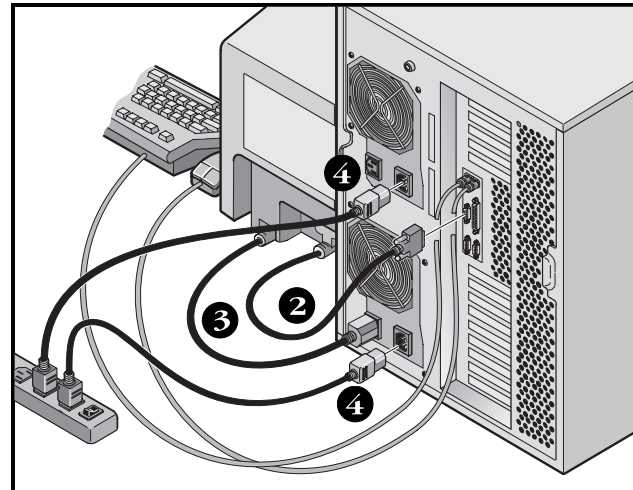
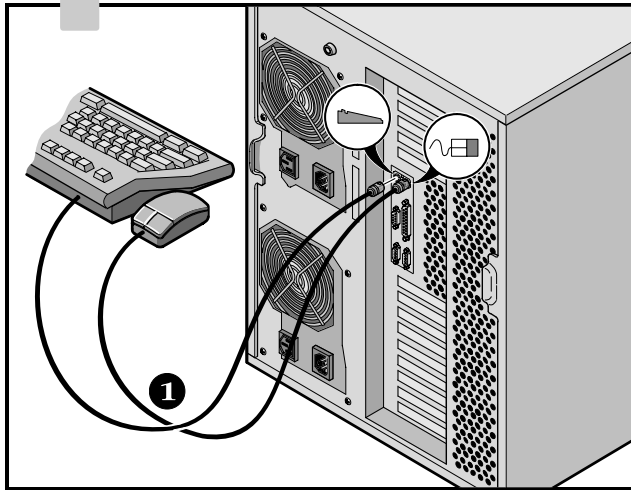
ⓘ Den Server mit Hilfe der an der Unterseite angebrachten Feststellbremse an seinem Standort fixieren.

ISA-Karten sollten installiert werden, nachdem das Dienstprogramm SCU in Arbeitsschritt 7 oder 8 ausgeführt wurde, da das Programm SCU die bereits verwendeten IRQs.

Wenn Quick Launch zur Installation eines Netzwerkbetriebssystem (Network Operating System) verwendet werden soll, muß der Server folgende Minimalanforderungen erfüllen, damit die Installation durchgeführt werden kann:

- 16 MByte RAM
- SVGA-Bildschirm
- Festplatte mit mindestens 540 MByte
- Maus mit zwei oder drei Tasten
- CD-ROM-Laufwerk mit Systemstartfähigkeit, angeschlossen an einen startfähigen SCSI-Controller
- Tastatur

# 4 Signal- und Netzkabel anbringen



1. Maus- und Tastaturkabel mit den entsprechenden Buchsen auf der Server-Rückseite verbinden.
2. Den Bildschirm neben dem Server aufstellen und das Bildschirm-Signalkabel mit dem Bildschirm und mit der Bildschirmbuchse auf der Server-Rückseite verbinden.
3. Das Stromkabel des Bildschirms mit dem Bildschirm und mit der passenden Buchse auf der Server-Rückseite bzw. mit einer Wandsteckdose verbinden.
4. Schließen Sie beide AC-Netzkabel zuerst an den Server und dann an Netzsteckdosen an.
5. Ist eine Netzwerkkarte installiert, muß das Netzkabel jetzt angeschlossen werden. Nähere Einzelheiten finden Sie in der Dokumentation des Herstellers.

## HINWEIS

Bildschirme mit einer Diagonalen von 17 Zoll oder mehr benötigen u.U. mehr Strom, als an der Netzbuchse des Servers zur Verfügung steht. Die Stromkabel solcher Bildschirme müssen direkt in eine Wandsteckdose eingesteckt werden.

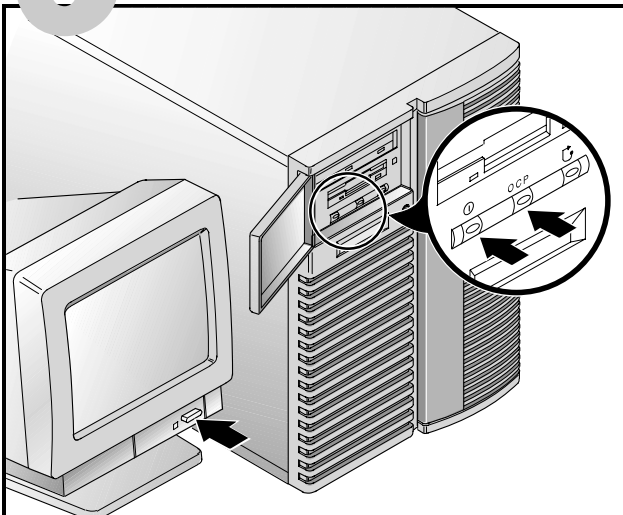


## ACHTUNG

Netzkabel, die für 100 V Wechselstrom (nur für Japan) oder 115 V Wechselstrom vorgesehen sind, dürfen nicht an einem 240-V-Stromnetz verwendet oder für ein 240-V-Stromnetz modifiziert werden, da dies zu schweren Sachschäden führen kann.

# 5

## Erst den Bildschirm und dann den Server einschalten



1. Bildschirm einschalten.
2. Server einschalten.
3. Die Operator Control Panel (OCP - Bedienersteuerfeld) -Anzeige sollte sich von selbst einschalten. Wenn dies nicht der Fall ist, drücken Sie die OCP-Taste.
4. Am Bildschirm Kontrast und Helligkeit einstellen, bis die Bildschirmdarstellung optimal sichtbar ist.

### HINWEIS

Nähere Einzelheiten zu BIOS- und POST-Meldungen finden Sie im Systemreferenzhandbuch.

Die Symbole der Kontrollanzeige stehen (von links nach rechts) für Netz, Hintergrundbeleuchtung und Systemrücksetzung.

# 6

## Bei der Installation von optionalen Erweiterungskarten

Sie müssen mit den folgenden Dienstprogrammen vertraut sein:

- System-Konfigurationsprogramm (SCU)
- RAID-Dienstprogramme
- Dienstprogramm *SCSISelect*

Nähere Informationen finden Sie im Systemreferenzhandbuch bzw. in den SCSI- und RAID-Handbüchern

ISA-Karten sollten installiert werden, *nachdem* das System-Konfigurationsprogramm SCU ausgeführt wurde, da SCU die bereits belegten IRQs anzeigt. PCI- und EISA-Karten sollten installiert werden, bevor das Programm SCU ausgeführt wird, um die Funktion zur automatischen Feststellung von Erweiterungskarten des Programms SCU zu nutzen.

Führen Sie die Server-Installation mit Hilfe der Schnellstart-CD-ROM durch. Folgendermaßen wird der Server konfiguriert.

1. Schalten Sie den Server ein und legen Sie die Quick Launch CD-ROM ein (gehört zum mitgelieferten ServerWORKS Software-Paket).

Wenn der Server nicht von der CD-ROM startet, drücken Sie Strg + Alt + Entf und bei der entsprechenden Eingabeaufforderung Strg + A, um das Dienstprogramm *SCSISelect* aufzurufen. Aktivieren Sie die Optionen Bootable CD-ROM und INT13. Verlassen Sie das Programm und starten Sie den Server erneut.

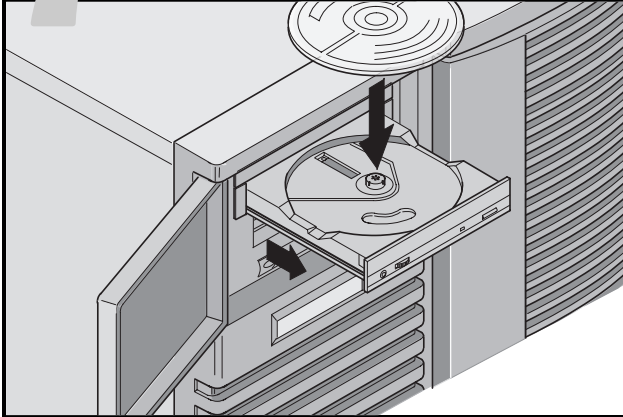
2. Mit dem Programm SCU (wenn angezeigt) können installierte EISA-Karten installiert bzw. die installierten PCI-Karten aktiviert werden. Wenn ISA-Karten installiert wurden, überprüfen Sie die aktuelle Kartenkonfiguration, um IRQ-Konflikte zu vermeiden, bevor Sie manuell die Jumper und Schalter einstellen.

Nach dem Speichern und Beenden des System-Konfigurationsprogramms führt der Server automatisch einen Neustart durch.

3. Ist ein RAID-Controller installiert, steht als nächstes ein RAID-Konfigurationsprogramm zur Verfügung, mit dem sich der Server für RAID konfigurieren läßt

### **HINWEIS**

Sind zusätzliche SCSI- oder RAID-Karten installiert, vergewissert man sich, daß sich die MS-DOS-Partition auch tatsächlich auf dem gewünschten Laufwerk befindet. Andernfalls schaltet man den Server aus, ändert die Reihenfolge der Karten oder konfiguriert den Server neu.



Die Server-Installation mit Hilfe der Schnellstart-CD-ROM durchführen. Nachfolgende Schritte erläutern die Konfiguration des Servers und die Installation eines Betriebssystems.

### HINWEIS

Wenn optionale Erweiterungskarten installiert wurden, müssen zuerst die Anweisungen auf der vorherigen Seite befolgt werden.

1. Schalten Sie den Server ein und legen Sie die Quick Launch CD-ROM ein (gehört zum mitgelieferten ServerWORKS Software-Paket).

Wenn der Server nicht von der CD-ROM startet, drücken Sie Strg + Alt + Entf und bei der entsprechenden Eingabeaufforderung Strg + A, um das Dienstprogramm *SCSISelect* aufzurufen. Aktivieren Sie die Optionen *Bootable CD-ROM* und *INT13*. Verlassen Sie das Programm und starten Sie den Server erneut.

2. Bei der entsprechenden Eingabeaufforderung können Sie eine MS-DOS-Partitionsgröße angeben, die den Anforderungen Ihres Betriebssystems entspricht. Das System erbittet eine Bestätigung Ihrer Auswahl. Beachten Sie, daß Windows NT eine Partitionsgröße von 35 MB erfordert. Andere Windows-Betriebssysteme erfordern 30 MB.

Die Quick Launch-Hauptbildschirmanzeige erscheint, und alle Dienstprogramme samt dazugehöriger Dateien (SCU, Diagnose, RAID usw.) werden in die MS-DOS-Partition installiert.

3. Wählen Sie in der Quick Launch-Hauptbildschirmanzeige die Option *Installations & Utilities*. Wählen daraufhin *Express*, um Microsoft Windows NT bzw. Novell NetWare automatisch zu installieren. Mit der Option *Create Diskettes* können Sie die zur manuellen Installation von SCO UNIX, OS/2, Microsoft Windows NT oder Novell NetWare erforderlichen Disketten mit den Dienstprogrammen und Treibern erstellen.

Detaillierte Informationen zur Installation finden Sie im *ServerWORKS Quick Launch-Handbuch für den direkten Einstieg*, das zum ServerWORKS Software-Kit gehört.

# 8

## Expresinstallation des Betriebssystems

### Expresinstallation von Microsoft Windows NT Server & Novell NetWare

Zur *Expres*installation der Betriebssysteme Microsoft Windows NT bzw. Novell NetWare müssen folgende Angaben gemacht werden.

#### *Windows NT Server*

Voller Name \_\_\_\_\_

Name der Organisation \_\_\_\_\_

Server-Name \_\_\_\_\_

NT CD-Schlüssel \_\_\_\_\_

NT Server-Typ \_\_\_\_\_

Lizenz \_\_\_\_\_

Zeitzone \_\_\_\_\_

Arbeitsgruppenname/Domäne \_\_\_\_\_

#### Netzwerk

NWLink installieren

NetBEUI installieren

TCP/IP installieren

#### Dateisystem

NTFS

FAT

Einsatz von Service-Paketen

#### Anwendungsinstallation

Oracle installieren

Internet Information Server

#### *Novell NetWare*

Server-Name \_\_\_\_\_

Name der Organisation \_\_\_\_\_

Name der Verzeichnisstruktur \_\_\_\_\_

Verwalter-Paßwort \_\_\_\_\_

Rahmentyp \_\_\_\_\_

IPX Externe Netzwerknummer \_\_\_\_\_

Zeitzone \_\_\_\_\_

Füllen Sie die geforderte Information aus und halten Sie das Microsoft Windows NT oder Novell NetWare Softwarepaket bereit. Folgen Sie zur Installation des Betriebssystems den Angaben auf dem Bildschirm.

#### **HINWEIS**

Die Internet Information Server-Anwendung ist nur verfügbar wenn "TCP/IP installieren" ausgewählt ist.

# 9

## Disketten für Server-Dienstprogramme und Gerätetreiber anlegen

Falls gewünscht, können Sie die erforderlichen Disketten mit auf Windows basierenden Workstations wie folgt erstellen:

1. Das ServerWORKS Softwarepaket enthält die Schnellstart-CD-ROM. CD-ROM ins Laufwerk einlegen.
2. Wählen Sie im Menü *Start* die Option *Run* (bzw. *Ausführen*) *qlaunch.exe* aus dem Stammverzeichnis der CD-ROM. Dieses Programm, wird automatisch gestartet wenn Windows 95 oder Windows NT V4.0 und höher installiert ist.
3. Klicken Sie auf die Schaltfläche *Installations & Utilities*.
4. Wählen Sie entweder die Registerkarte *Create Diskettes* oder *Utilities*. *Utilities* ist die Voreinstellung. Wenn Sie *Create Diskettes* wählen, geben Sie zuerst ein Modell und dann ein Netzwerk-Betriebssystem und dessen Version an. Klicken Sie dann auf *Continue*. Wenn Sie *Utilities* wählen, wählen Sie ein Server-Modell, um die Dienstprogramme für diesen Server anzuzeigen.
5. Wählen Sie das gewünschte Dienstprogramm bzw. den gewünschten Treiber und klicken Sie dann auf *Continue*.
6. Legen Sie eine formatierte High-Density-Diskette in Laufwerk A ein und wählen Sie *Continue*.

### HINWEIS

Weitere Informationen hierzu finden Sie im *ServerWORKS Quick Launch-Handbuch für den direkten Einstieg* sowie in der Online-Hilfe des ServerWORKS Quick Launch-Programms.

Nachfolgend eine Liste der u.U. benötigten Treiber:

- SCSI—ermöglicht dem Server die Nutzung des herstellenseitig installierten Adaptec SCSI-Adapters.
- Video—ermöglicht das Arbeiten des Servers mit den Onboard Bildschirm-Controller und anderen unterstützten Grafikkarten.
- RAID—Server arbeitet mit einem Mylex RAID-Controller.
- Netzwerk—Auswahl aus mehreren Gerätetreibern für von DIGITAL unterstützte Netzwerk-Schnittstellenkarten.

Nachfolgend eine Liste der startfähigen Server-Dienstprogramme:

- SCU—erlaubt das Anlegen von startfähigen SCU-Disketten zur Konfiguration des Servers und für das Hinzufügen von Optionen.
- RAID—erlaubt das Anlegen einer startfähigen Diskette für das RAID-Konfigurationsprogramm, mit dem sich ein optionaler externer RADI-Festplatten-Array konfigurieren lässt.
- Diagnostics—erlaubt das Anlegen von startfähigen Disketten zum Einsatz bei der Fehlersuche und -behebung auf dem Server.



# 10

## Server registrieren und Dokumentation noch einmal durchsehen

### Registrieren

---

1. Tragen Sie hier die Modellbezeichnung und die Seriennummer des Servers ein.

- Server-Familie:

DIGITAL Server 7000

(auf der Server-Vorderseite)

- Modellnummer:

(auf der Server-Rückseite)

- Seriennummer:

(auf der Server-Rückseite)

2. Senden Sie die im DIGITAL-Handbuch enthaltene Registrierkarte ein.

### Gewährleistung

---

- 3 Jahre Onsite-Gewährleistung für die Hardware.
- Nähere Einzelheiten zu spezifischen Gewährleistungsbedingungen finden Sie unter „Garantie- und Serviceinformationen“.

### Wenn Sie Hilfe brauchen

---

Wenden Sie sich mit allen Fragen zu Hardware, Software oder Garantieleistungen an den DIGITAL-Kundendienst.

### *Bevor Sie sich mit DIGITAL in Verbindung setzen*

1. Kreisen Sie das Problem mit Hilfe des mitgelieferten Diagnoseprogramms ein. Das Diagnoseprogramm kann von der MS-DOS-Partition, die von Quick Launch erstellt wurde, oder von den Diagnose-Disketten, die mit der Quick Launch-Option *Utilities* (wird mit der Schaltfläche *Installations & Utilities* aufgerufen) erstellt wurde, ausgeführt werden.
2. Halten Sie die Modell- und Seriennummer des Servers bereit.
3. Notieren Sie sich etwaige Fehlermeldungen und merken Sie sich die Reihenfolge der Ereignisse, die zu dem Fehler führen.
4. Wählen Sie 1-800-354-9000.

### *Für technische Informationen*

Technische Informationen sind über das Internet rund um die Uhr verfügbar. Verwenden Sie folgende Internet-Adresse für Produktinformationen:

<http://www.windows.digital.com>

Verwenden Sie folgende Internet-Adresse für Technischen Support:

<http://www.windows.digital.com/support/support.asp>

Verwenden Sie folgende Internet-Adresse für den direkten Zugriff auf die Software-Bibliothek, z.B. für BIOS- und Treiber-Updates:

<http://www.windows.digital.com/~ftp/00-index.stm>

# 11

## DIGITAL ServerWORKS Software installieren

Nach erfolgreicher Installation von Server und Betriebssystem installiert man nun die ServerWORKS Verwaltungssoftware. Diese bietet:

- Zugriff auf eine einfach zu benutzende Oberfläche,
- Überwachung kritischer Server-Statistiken,
- einfach zu lesende Topologiekarte des Netzwerks,
- Verwaltung von Server-Fehlerbedingungen und
- Unterstützung von verteilten SNMP-Netzwerkgeräten von beliebigen Punkten im LAN aus.

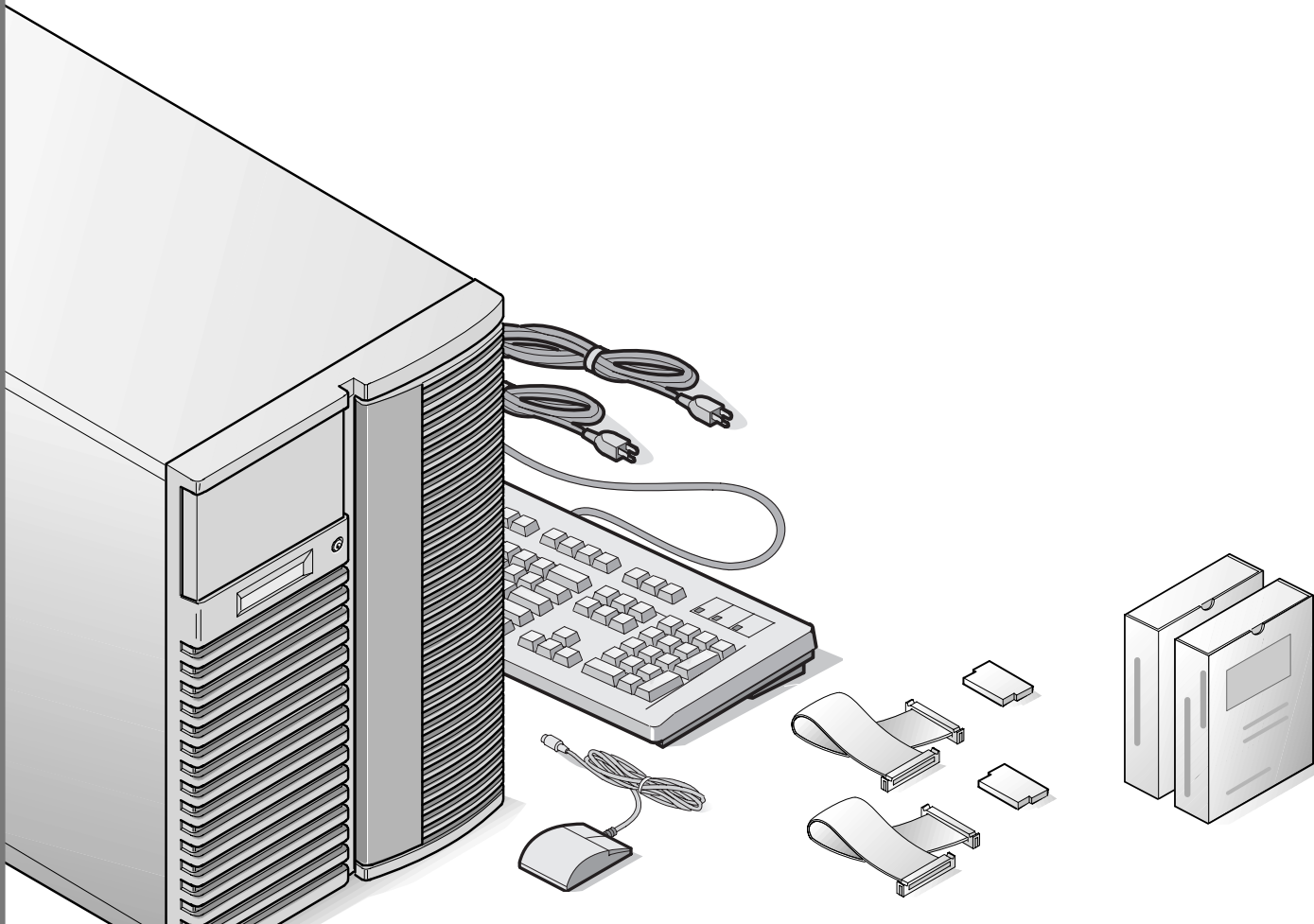
### **HINWEIS**

Installationsinformationen und eine Liste der unterstützten Betriebssysteme finden Sie im Übersichts- und Installationshandbuch im DIGITAL ServerWORKS Manager Software-Kit.



# Servidor DIGITAL 7100

# Guía de instalación



*... por adquirir un servidor DIGITAL 7100.  
La familia de servidores DIGITAL representa el compromiso de DIGITAL de ofrecer calidad absoluta, respaldada por servicio y soporte de primera. Los procedimientos siguientes le ayudarán a configurar con facilidad el hardware y el software de su servidor.*

## **DIGITAL ServerWORKS Quick Launch**

DIGITAL ServerWORKS **Quick Launch** facilita al máximo la instalación y configuración de componentes de hardware y del software de sistemas operativos de red en la línea de servidores de DIGITAL. Quick Launch combina una interfaz intuitiva con características versátiles que le permiten ahorrar tiempo y ejecutar instalaciones precisas y óptimas en los potentes y ovacionados servidores DIGITAL.

Además de su método automático pero ampliable de instalación rápida para sistemas operativos de red, Quick Launch ofrece un archivo completo de documentación del servidor, ayuda para resolver problemas y utilidades de configuración indispensables, todo en un solo disco CD-ROM.

## **Antes de comenzar**

Busque un sitio adecuado para ensamblar y utilizar el servidor. Asegúrese de que su lugar de trabajo:

- Esté ubicado cerca de tomas eléctricas y telefónicas
- Esté libre de calor y polvo excesivos y protegido de la luz solar directa
- Tenga por lo menos 17 cm de espacio libre alrededor del equipo para facilitar la circulación de aire
- Esté en conformidad con los reglamentos eléctricos locales y regionales que rigen la instalación de equipos de informática por electricistas autorizados.

Consulte “Especificaciones técnicas” en el manual Referencia para el sistema para obtener información sobre temperatura y humedad.

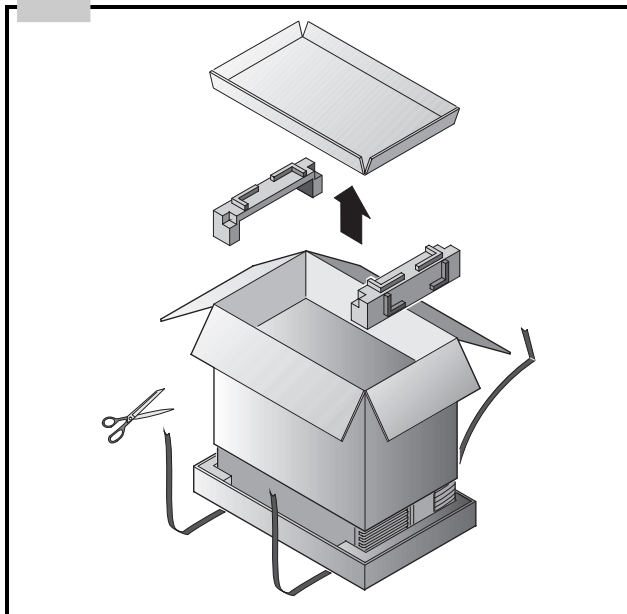
Si no desea instalar el servidor por su cuenta, comuníquese con el departamento de servicio al cliente de DIGITAL. Un técnico de servicio podrá realizar la instalación por usted.



### **PRECAUCIÓN**

Utilice extrema precaución al desembalar el servidor. Debido a su peso, se requieren dos personas para desembalarlo. Si no se usan dos personas, es posible que se violen ciertas normas de seguridad y que se produzcan lesiones personales graves o daños al equipo.

## Desembale el servidor

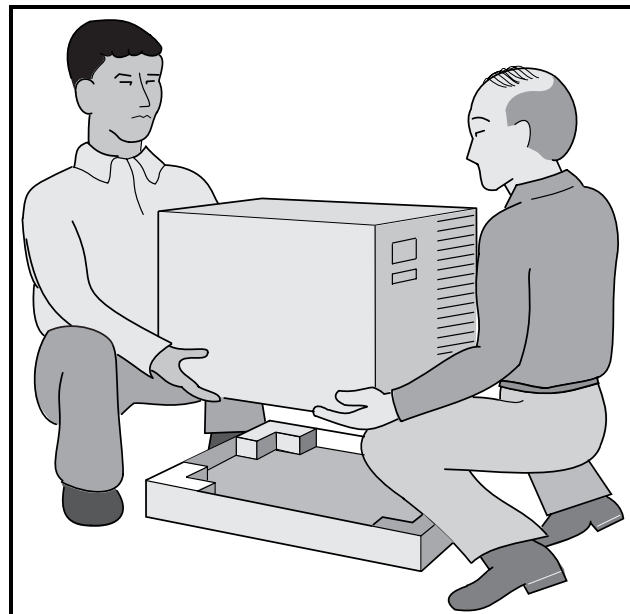


### PRECAUCIÓN

El servidor es pesado. Se requiere más de una persona para levantarlo.

Desembale el servidor siguiendo las indicaciones en la parte superior de la caja. Utilice la asistencia de un dispositivo mecánico o de otra persona para ayudarle a levantarlo de la base de cartón.

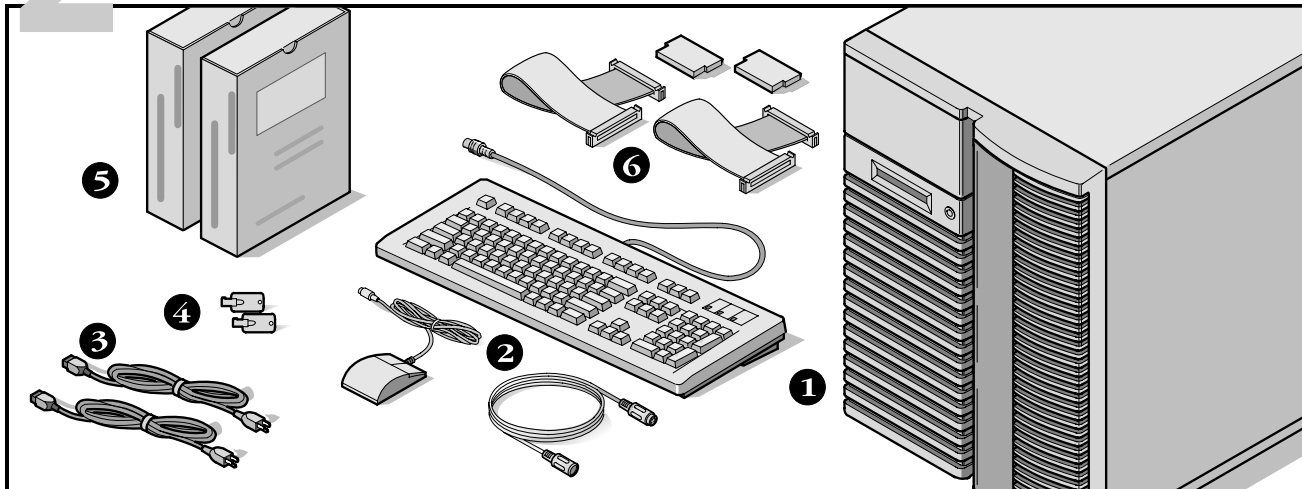
- Antes de levantarlo, debe estar seguro del lugar donde lo colocará.
- Haga rodar el servidor sobre sus ruedas en lugar de llevarlo levantado.
- Agáchese, con las rodillas dobladas y la espalda recta.



- Acérquese al servidor, con los pies separados en una posición firme.
- Agarre el servidor con firmeza, levante con las piernas y mantenga recta la espalda.
- Evite torcer la parte superior del cuerpo. Mueva los pies cuando necesite girar.
- Bájelo suavemente usando los músculos de las piernas y manteniendo recta la espalda.
- Haga rodar el servidor a su lugar y ponga el freno como se indica en el paso 3, Nota **A**.

Después de desembalar el servidor, por favor recicle los materiales de embalaje o deséchelos en forma adecuada.

## 2 Verifique las piezas



Desembale el servidor e identifique sus componentes.

- ❶ Servidor DIGITAL 7100
- ❷ Kit local, incluyendo teclado, cable de extensión para el teclado y ratón (se debe pedir por separado)
- ❸ Hasta tres cables de alimentación
- ❹ Llaves del servidor
- ❺ Juegos de software y documentación del servidor, incluyendo manuales impresos y el CD-ROM Quick Launch con documentación en línea
- ❻ Cable y terminador SCSI (en algunas configuraciones, es posible que se incluyan hasta tres cables sueltos además de los cables instalados)

### NOTA

Se debe pedir el monitor por separado.

El juego de software ServerWORKS de DIGITAL incluye:

- ServerWORKS Quick Launch: disco CD-ROM y *la guía Para comenzar*.
- ServerWORKS Manager: software y la documentación de ServerWORKS Manager.

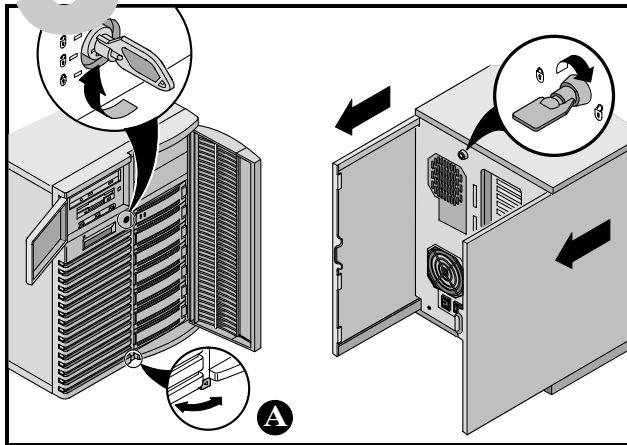
El juego de documentación del Servidor DIGITAL 7100 incluye:

- Esta Guía de instalación, más el manual Referencia para el sistema, Información sobre la documentación, Información de garantía y servicio, Manual del usuario para diagnóstico y Tarjeta de registro.

### NOTA

También se incluye documentación en línea en el CD-ROM Quick Launch.

## 3 Instale cualquier opción interna que tenga



Si tiene opciones que necesita instalar, hágalo ahora.

1. Desbloquee las puertas.
2. Desbloquee los paneles laterales.
3. Retire los paneles laterales.
4. Instale las opciones.

Para obtener información detallada, consulte los siguientes capítulos en el manual Referencia para el sistema.

- Software y utilidades del sistema
- Actualización de procesadores
- Instalación de memoria adicional
- Instalación de unidades de disco y de cinta
- Conexión de adaptadores SCSI y RAID

Además, consulte la documentación proporcionada con la opción para obtener instrucciones de instalación específicas.

### AVISO

Al retirar los paneles laterales, se activan los interruptores de bloqueo de energía. Estos interruptores desconectan el servidor de la fuente de alimentación. Si usted intenta evitar o alterar estos interruptores es posible que cause daños a sí mismo o al servidor. Siempre vuelva a colocar los paneles laterales antes de encender el servidor.

Antes de tocar cualquier tarjeta de circuitos u otro componente, póngase una muñequera antiestática, conectada adecuadamente al chasis del servidor como conexión a tierra, o toque la caja metálica del servidor para descargar electricidad estática.

### NOTA

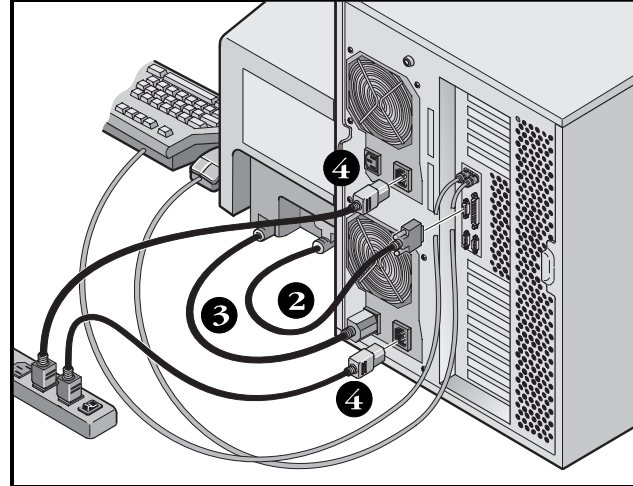
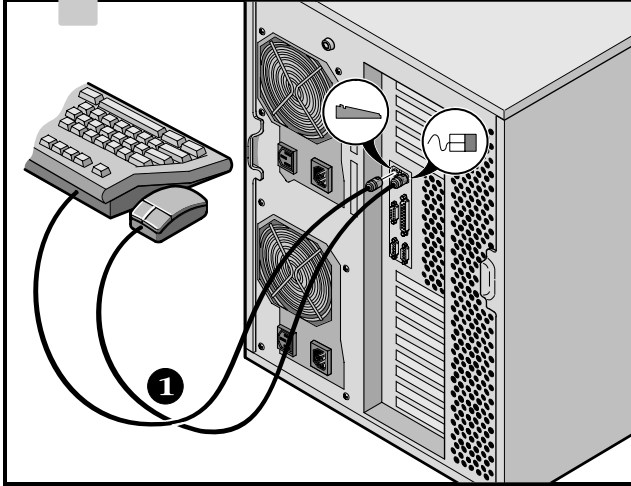
Utilice el freno ubicado al pie del servidor (A) para fijar el servidor en su lugar.

Las placas ISA se deben instalar después de ejecutar la utilidad de configuración del sistema (SCU) en el Paso 7 u 8, ya que la SCU indicará las IRQ que ya están en uso.

Si piensa usar Quick Launch para instalar el sistema operativo de red, antes de proceder asegúrese de que el servidor satisfaga los siguientes requisitos:

- 16 MB de memoria RAM
- monitor SVGA
- disco duro con un mínimo de 540 MB
- ratón de dos o tres botones
- unidad de CD-ROM iniciable conectada al controlador SCSI iniciable
- teclado

# 4 Conecte los cables, incluyendo el cable de alimentación



1. Conecte los cables del ratón y del teclado a los conectores correspondiente en la parte posterior del servidor.
2. Coloque el monitor cerca del servidor. Conecte el cable de señal del monitor a la parte posterior del monitor y después conéctelo al conector correspondiente en la parte posterior del servidor.
3. Conecte el cable de energía del monitor a la parte posterior del monitor y después conéctelo al conector correspondiente en la parte posterior del servidor o a una toma de corriente en la pared.
4. Conecte ambos cables de alimentación CA al servidor y luego a una toma de corriente.
5. Si ha instalado una placa de red, conecte el cable de red ahora. Consulte la documentación del fabricante para obtener más información.

## NOTE

Algunos monitores de pantalla grande (de 17 pulgadas en diagonal o más) requieren más energía de la que suministra la toma auxiliar de corriente alterna del servidor. Estos monitores tienen cables de energía que se deben conectar directamente a una toma de corriente en la pared.



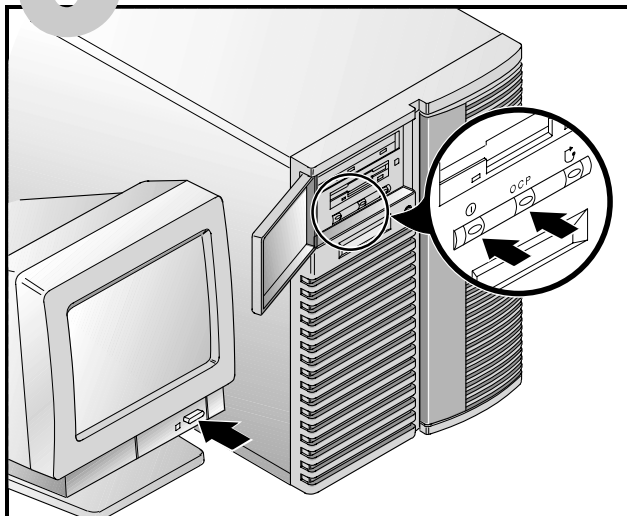
## AVISO

No intente modificar o utilizar un cable de alimentación externo de 100 V CA (sólo en Japón) o de 115 V CA para una red de energía de 240 V CA. La modificación de cualquiera de los cables de alimentación puede causar graves daños al equipo.



# 5

## Encienda el monitor y después el servidor



1. Encienda el monitor.
2. Encienda el servidor.
3. La pantalla del panel de control del operador (OCP) se debe activar por sí sola. Si no es así, presione el botón OCP.
4. Ajuste el contraste y la luminosidad del monitor para obtener una pantalla legible.

### NOTA

Consulte el manual Referencia para el sistema para información sobre mensajes del BIOS y de la prueba POST.

Los iconos de los interruptores del panel frontal son, de izquierda a derecha, encendido/apagado, OCP, iluminación posterior y reinicializar sistema.

# 6

## Si se han instalado placas de expansión opcionales

Asegúrese de que esté familiarizado con el uso de:

- la utilidad de configuración del sistema (SCU)
- utilidades para RAID
- la utilidad *SCSISelect*

Consulte el manual Referencia para el sistema y los manuales de SCSI y RAID para obtener información adicional.

Instale las placas ISA *después* de ejecutar la utilidad de configuración del sistema (SCU), ya que ésta indicará las IRQ en uso. Las placas PCI y EISA deben instalarse antes de ejecutar la SCU a fin de aprovechar la característica de detección automática disponible en la SCU.

Utilice el disco CD-ROM Quick Launch para completar la instalación del servidor. Siga estos pasos para configurar el servidor.

1. Localice el disco CD-ROM Quick Launch en el juego de software ServerWORKS. Encienda el servidor e inserte el disco CD-ROM.

Si el servidor no logra iniciarse desde el CD-ROM, presione Ctrl + Alt + Supr, y después Ctrl + A, cuando el mensaje se lo pida, a fin de ejecutar la utilidad *SCSISelect*. Active las líneas Bootable CD-ROM e INT13. Salga y reinicie el servidor.

2. Utilice la SCU, cuando aparezca en pantalla, para configurar las placas EISA que haya instalado o para activar las placas PCI. Si ha instalado placas ISA, consulte la configuración actual de la placa para evitar conflictos de IRQ antes de ajustar manualmente los puentes e interruptores.

El servidor se vuelve a iniciar automáticamente después de que guarde y salga de la SCU.

3. Si ha instalado un controlador RAID, aparecerá entonces la utilidad de configuración de RAID. Configure su servidor para RAID.

### **NOTA**

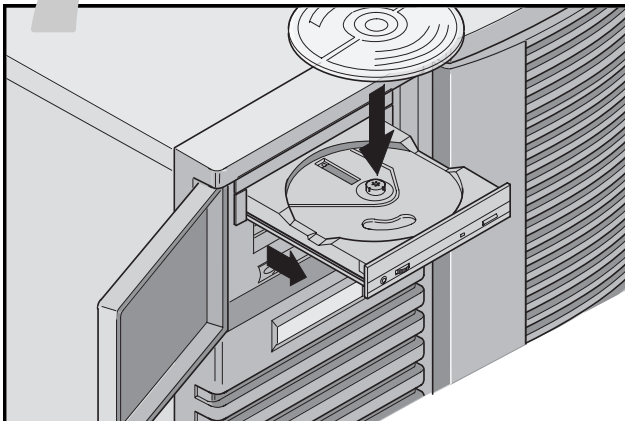
---

Si se han instalado placas SCSI o RAID adicionales, asegúrese de que la partición de MS-DOS resida en la unidad deseada. Si no es así, apague el servidor, cambie el orden de las placas y vuelva a configurar el servidor.

---

# 7

## Ejecute el programa Quick Launch del CD-ROM



Use el disco CD-ROM Quick Launch para completar la instalación del servidor. Si ha instalado placas de expansión opcionales, primero necesita seguir las instrucciones de la página anterior.

### NOTA

Si ha instalado placas de expansión opcionales, primero necesita seguir las instrucciones de la página anterior.

1. Localice el disco CD-ROM Quick Launch en el juego de software ServerWORKS. Encienda el servidor e inserte el disco CD-ROM.

Si el servidor no logra iniciarse desde el CD-ROM, presione Ctrl + Alt + Supr, y después Ctrl + A, cuando el mensaje se lo pida, a fin de ejecutar la utilidad *SCSISelect*. Active las líneas Bootable CD-ROM e INT13. Salga y reinicie el servidor.

2. Cuando se le indique, podrá crear un tamaño de partición de MS-DOS adecuado para su sistema operativo. El sistema le solicitará que confirme su selección. Observe que Windows NT requiere una partición de 35 MB. Otros sistemas operativos Windows requieren 30 MB.

Se presentará la pantalla principal de Quick Launch y todas las utilidades y los archivos relacionados (SCU, diagnóstico, RAID, etc.) se instalarán en la partición de MS-DOS.

3. En la pantalla principal, seleccione *Installations & Utilities*. Elija *Express* para instalar automáticamente Microsoft Windows NT o Novell NetWare. *Create Diskettes* le permite crear los disquetes de utilidades y controladores requeridos para instalar manualmente SCO UNIX, OS/2, Microsoft Windows NT o Novell NetWare.

Consulte la *guía Para comenzar de ServerWORKS Quick Launch* incluida en el juego de software ServerWORKS, para procedimientos detallados de instalación.

# 8

## Instalación rápida del sistema operativo

### Instalación rápida de Microsoft Windows NT Server y Novell NetWare

Se le solicitará que proporcione la siguiente información antes de realizar una instalación rápida de los sistemas operativos Microsoft Windows NT o Novell NetWare.

#### *Windows NT Server*

Nombre completo \_\_\_\_\_

Nombre de la organización \_\_\_\_\_

Nombre del servidor \_\_\_\_\_

Clave de CD NT \_\_\_\_\_

Tipo de servidor NT \_\_\_\_\_

Licencia \_\_\_\_\_

Zona horaria \_\_\_\_\_

Nombre de grupo de trabajo/Dominio \_\_\_\_\_

#### Red

Instalar NWLink

Instalar NetBEUI

Instalar TCP/IP

#### Sistema de archivos

NTFS

FAT

Aplicar Service Packs

#### Instalación de aplicaciones

Instalar Oracle

Internet Information Server

#### *Novell NetWare*

Nombre del servidor \_\_\_\_\_

Nombre de la organización \_\_\_\_\_

Nombre del árbol de directorios \_\_\_\_\_

Contraseña de administrador \_\_\_\_\_

Tipo de marco \_\_\_\_\_

Número de red externa IPX \_\_\_\_\_

Zona horaria \_\_\_\_\_

Llene la información según se requiere. Tenga a mano su juego de software de Microsoft Windows NT o Novell NetWare. Siga las instrucciones que aparezcan en la pantalla para comenzar la instalación del sistema operativo.

#### **NOTA**

La aplicación Internet Information Server sólo está disponible cuando se selecciona "Instalar TCP/IP".

# 9

## Creación de disquetes de utilidades y controladores de dispositivos para el servidor

Si así desea, puede usar estos procedimientos para crear los disquetes requeridos desde estaciones de trabajo basadas en Windows:

1. Busque el disco CD-ROM Quick Launch en el juego de software ServerWORKS. Inserte el disco CD-ROM en la unidad de CD-ROM.
2. En el menú Inicio, seleccione *Ejecutar* y ejecute *qlaunch.exe* desde el directorio raíz del CD-ROM. El programa se iniciará automáticamente si está instalado Windows 95 o Windows NT V4.0 ó una versión posterior.
3. Seleccione el botón *Installations & Utilities*.
4. Elija la ficha *Create Diskettes* o *Utilities*. *Utilities* es la predeterminada. Si elige *Create Diskettes*, primero deberá seleccionar un modelo y luego un sistema operativo de red y su número de versión. Seleccione Continúe. Si elige *Utilities*, deberá seleccionar un modelo de servidor para ver las utilidades que corresponden al mismo.
5. Seleccione la utilidad o el controlador deseado y luego elija Continúe.
6. Inserte un disquete de alta densidad con formato en la unidad A y seleccione Continúe.

### NOTA

Para obtener más información, consulte la guía *Para comenzar de ServerWORKS Quick Launch* y la ayuda en línea de dicho programa.

A continuación se enumeran los controladores de dispositivos que pudiera necesitar:

- SCSI—permite que el servidor opere usando el adaptador SCSI Adaptec instalado de fábrica.
- Vídeo—permite al servidor operar usando el controlador de vídeo en la placa u otras placas de vídeo compatibles.
- RAID—permite al servidor operar usando un controlador RAID Mylex.
- Red—elija entre varios controladores de dispositivos para placas de interfaz de red compatibles con DIGITAL.

A continuación se indican las utilidades del servidor que se pueden ejecutar:

- SCU—permite crear un disquete iniciable de SCU que se podrá usar para configurar el servidor y añadir opciones.
- RAID—permite crear un disquete iniciable de la utilidad configuración de RAID que se podrá usar al configurar un equipo RAID externo opcional.
- Diagnóstico—permite crear disquetes iniciables para resolver problemas del servidor.

# 10

## Registre su servidor y revise la documentación

### Registro

---

1. Registre aquí el número de modelo y el número de serie del servidor.

- Descripción de la familia de servidores:

DIGITAL Server 7000

(ubicada en la parte frontal del servidor)

- Número de modelo del servidor:

\_\_\_\_\_

(ubicado en la parte posterior del servidor)

- Número de serie del servidor:

\_\_\_\_\_

(ubicado en la parte posterior del servidor)

2. Envíe la tarjeta de registro incluida en el juego de documentación del Servidor DIGITAL.

### Garantía

---

- Garantía de 3 años en sitio para el hardware.
- Consulte la Información de garantía y servicio para conocer los términos y las condiciones específicas de la garantía.

### Si necesita ayuda

---

Si tiene preguntas acerca del hardware, el software o la garantía de su servidor, por favor comuníquese con la organización de servicio al cliente de DIGITAL.

### *Antes de llamar a DIGITAL*

1. Ejecute las pruebas de diagnóstico suministradas con el servidor a fin de aislar el problema. Puede ejecutar las utilidades de diagnóstico desde la partición de MS-DOS creada por Quick Launch o puede crear disquetes de diagnóstico desde Quick Launch usando la opción *Utilities* bajo el botón *Installations & Utilities*.
2. Tenga a mano el número de modelo y de serie del servidor antes de llamar.
3. Anote cualquier mensaje de error que haya recibido y prepárese para describir la secuencia de eventos que precedió el problema.
4. Llame al 1-800-354-9000.

### *Para información técnica*

A través de Internet, está disponible información técnica las 24 horas al día. Para información sobre productos, utilice la dirección:

<http://www.windows.digital.com>

Para soporte técnico, utilice la dirección:

<http://www.windows.digital.com/support/support.asp>

Para ir directamente a la biblioteca de software para actualizaciones de controladores y el BIOS, utilice la dirección:

<http://www.windows.digital.com/~ftp/00-index.stm>

# 11

## Instale el software DIGITAL ServerWORKS

Una vez terminada la instalación del servidor y el sistema operativo de red, deberá instalar DIGITAL ServerWORKS Manager a fin de:

- Tener acceso a una interfaz de administración de servidores que es fácil de usar
- Llevar un control de las estadísticas esenciales del servidor
- Obtener un mapa de la topología de red que es fácil de interpretar
- Administrar las condiciones de fallos del servidor
- Lograr compatibilidad con dispositivos de red SNMP distribuidos desde cualquier parte de la LAN

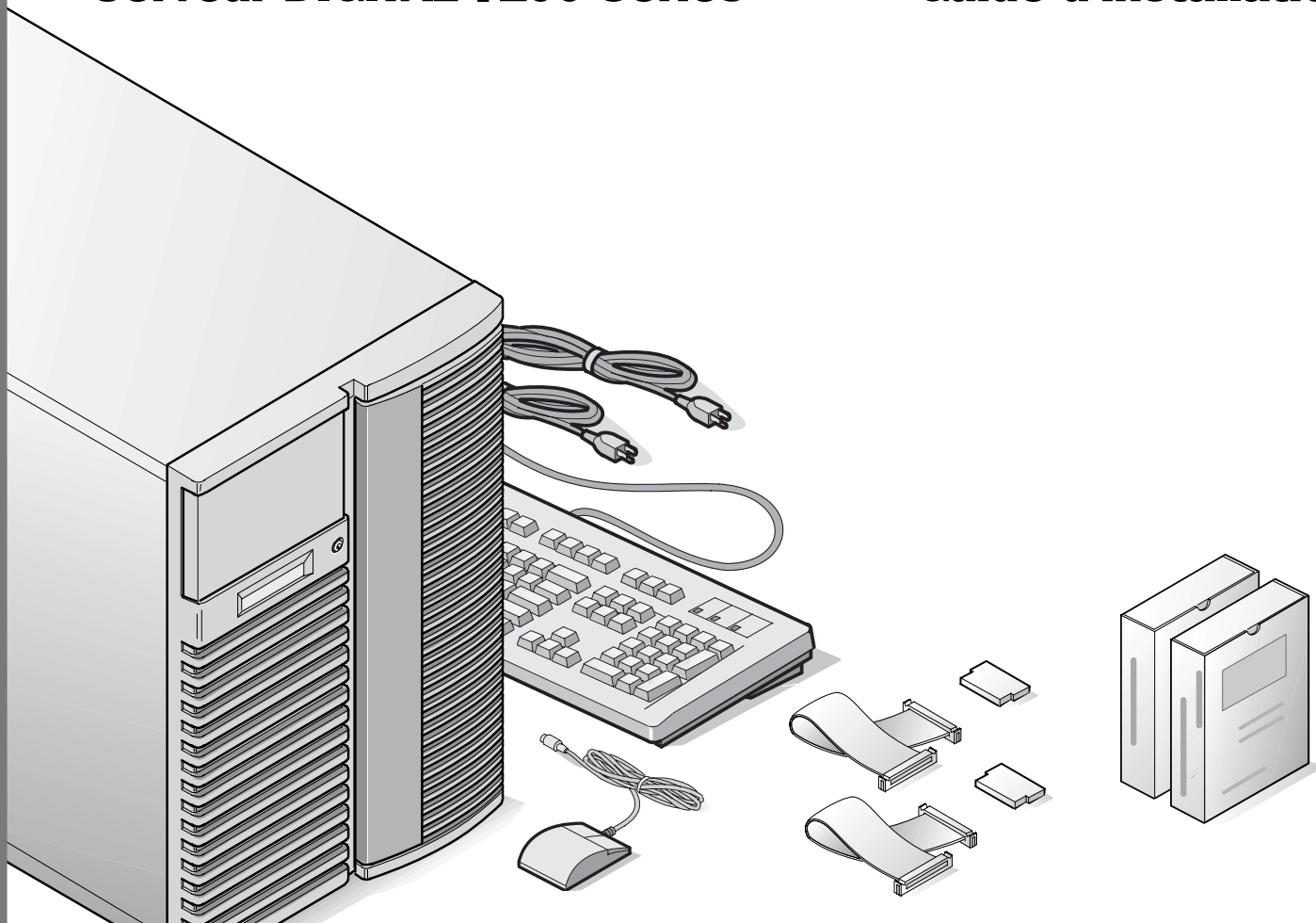
### **NOTA**

Para obtener información sobre la instalación y una lista de los sistemas operativos aceptados, consulte la Información general y la Guía de instalación en el kit de software de DIGITAL ServerWORKS Manager.



## Serveur DIGITAL 7100 Series

## Guide d'installation





# Félicitations

*...pour l'achat de votre serveur 7100  
DIGITAL. La famille des serveur DIGITAL  
perpétue l'engagement continu de DIGITAL  
à délivrer une qualité absolue, appuyée par  
une assistance technique et un service clientèle  
reconnus. Les procédures suivantes vont  
vous aider à installer facilement le logiciel  
et le matériel du serveur..*

## **ServerWORKS Quick Launch de DIGITAL**

ServerWORKS **Quick Launch** de DIGITAL est un succès sans égal en ce qui concerne la rationalisation de l'installation et de la configuration des composants matériels et du système d'exploitation réseau avec la gamme de serveurs DIGITAL. Quick Launch combine une interface intuitive et versatile ainsi que des fonctions produisant une installation précise, consistante et rapide, optimisée pour les serveurs DIGITAL extrêmement puissants et hautement acclamés.

En plus de sa méthode d'installation rapide tout à la fois automatique et extensible pour les systèmes d'exploitation réseau, Quick Launch fournit une documentation extensive sur le serveur, des conseils de dépannage détaillés et des utilitaires de configuration indispensables, le tout sur un CD-ROM amorçable!

## **Avant de commencer**

Trouvez un espace convenable à l'assemblage et à l'utilisation. Assurez-vous que votre espace de travail :

- soit situé à proximité de prises de courant et d'une prise téléphonique
- soit éloigné de sources de chaleur et de poussière excessives, à l'abri du soleil
- dispose d'une aération convenable. Laissez au moins 7 pouces (17.5 cm) d'espace libre tout autour du serveur
- conforme aux règlements électriques locaux et régionaux gouvernant l'installation d'équipement informatique par des électriciens agréés

Reportez-vous au chapitre : "Spécifications techniques" de votre Manuel de référence système pour des informations sur les conditions de fonctionnement.

Si vous ne désirez pas installer votre serveur par vous-même, contactez votre centre de service agréé DIGITAL. Un technicien du service clientèle peut installer le serveur pour vous.

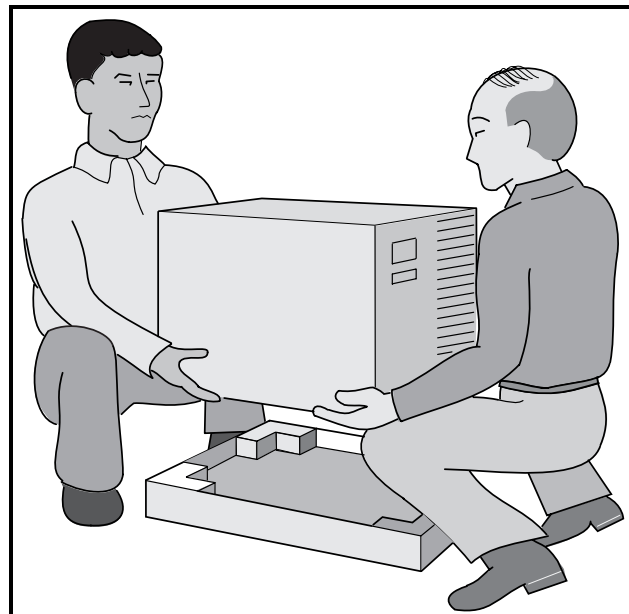
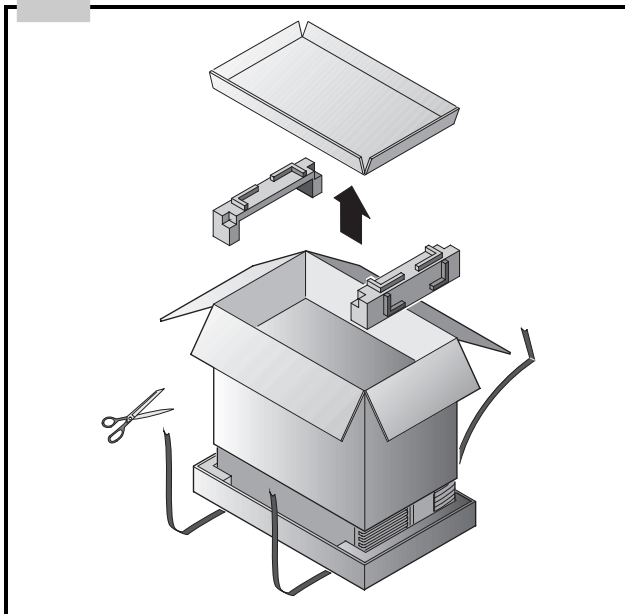


### **DANGER**

Procédez avec précaution au déballage du serveur. Du fait de son poids, deux personnes sont nécessaires au déballage du serveur. Ne pas procéder à deux personnes peut contrevenir à certains règlements de sécurité et peut résulter en des blessures personnelles sérieuses ainsi qu'à l'endommagement du matériel.

# 1

## Déballer votre serveur



### DANGER

Les serveurs sont lourds. Ne les soulevez pas tout seul.

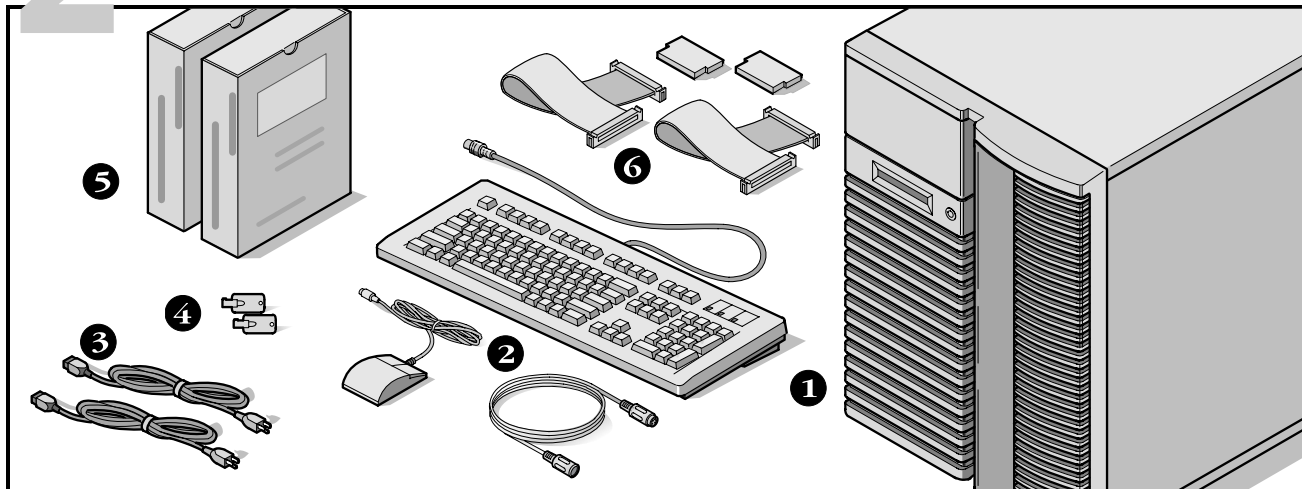
Déballer le serveur selon les diagrammes imprimés sur le haut du carton d'emballage. Utilisez un outil de levage ou demandez de l'aide pour sortir le serveur de son carton.

- Déterminez le lieu d'installation avant de le soulever.
- Faites rouler le serveur sur ses roulettes plutôt que de le soulever.
- Placez-vous près du serveur avec les jambes écartées pour plus de stabilité.

- Accroupissez-vous tout en gardant votre dos droit.
- Saisissez le serveur fermement et soulevez-le tout en gardant votre dos droit.
- Evitez de tourner le haut de votre corps. Tournez avec vos pieds.
- Abaissez le serveur délicatement en vous accroupissant et en gardant votre dos droit.
- Faites rouler le serveur jusqu'à son emplacement et verrouillez le frein comme montré dans l'étape 3, note **A**.

Après avoir déballé le serveur, recyclez ou rejetez convenablement les matériaux d'emballage.

## 2 Inspectez les composants



Déballez et identifiez les composants du serveur.

- ❶ Serveur 7100 DIGITAL
- ❷ Le kit du pays comprend le clavier, le câble d'extension du clavier et la souris (commandée séparément)
- ❸ 3 cordons secteur, au maximum
- ❹ Clefs du serveur
- ❺ Les coffrets de logiciel et de documentation du serveur comprennent les manuels imprimés et le CD-ROM Quick Launch intégrant la documentation en ligne
- ❻ Les câbles et les bouchons de terminaison SCSI (avec certaines configurations, jusqu'à trois câbles peuvent être livrés en plus des câbles installés dans le serveur).

### Remarque

Le moniteur doit être commandé séparément.

Le coffret de logiciels ServerWORKS DIGITAL comprend :

- ServerWORKS Quick Launch : CD-ROM ServerWORKS Quick Launch et *Guide de Premiers pas*.
- ServerWORKS Manager : logiciel ServerWORKS Manager et documentation.

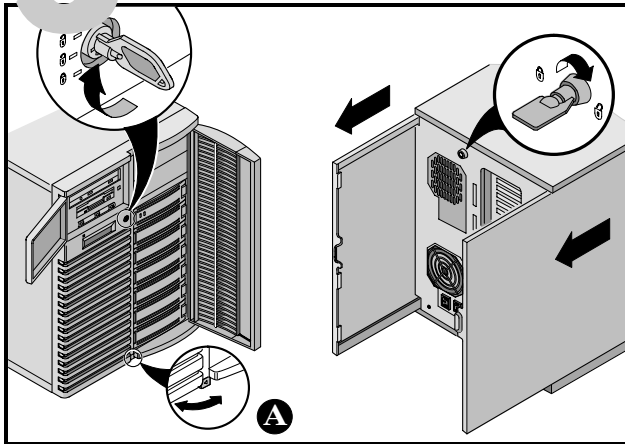
Le coffret de documentation Serveur 7100 DIGITAL comprend :

- Ce *Guide d'installation*, le manuel *Référence système*, La *Vue d'ensemble de la documentation*, les informations de Garantie et de Service, et la fiche d'enregistrement.

### Remarque

La documentation en ligne se trouve sur le CD-ROM Quick Launch.

## 3 Installez chacune des options internes



Si des options existent, installez-les à présent.

1. Déverrouillez les portes
2. Déverrouillez les panneaux latéraux
3. Retirez les panneaux latéraux
4. Installez des options

Reportez-vous aux chapitres suivants du *Manuel de référence système* pour de plus amples informations.

- Logiciel et utilitaires du serveur
- Mises à niveau du module processeur
- Installer de la mémoire supplémentaire
- Installer des lecteurs de disques ou de bandes
- Connecter des interfaces RAID et SCSI

Reportez-vous aussi aux manuels livrés avec les composants optionnels pour obtenir des instructions spécifiques sur l'installation de ces options.



### ATTENTION

Le retrait des panneaux latéraux active les interrupteurs d'enclenchement qui coupent l'alimentation du serveur. Vous risquez de vous blesser ou d'endommager le serveur si vous essayez d'inhiber ou de ponter ces interrupteurs. Remettez toujours les panneaux latéraux en place avant de remettre le serveur en marche.

Avant de toucher au circuit imprimé du serveur, munissez-vous d'un bracelet antistatique correctement connecté au châssis du serveur, ou touchez l'armature métallique du serveur pour vous décharger de toute électricité statique.

### Remarques

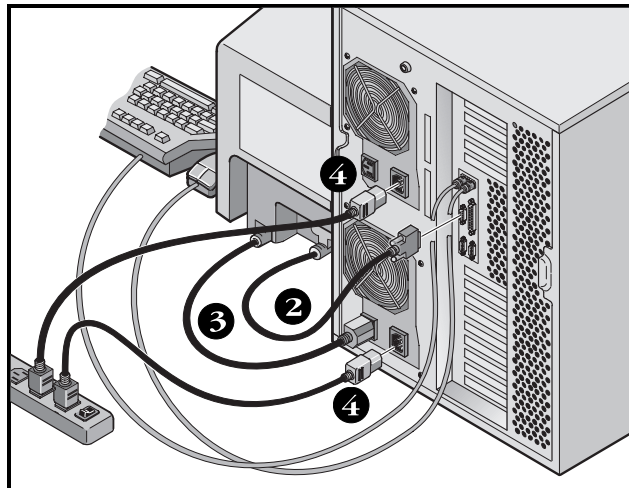
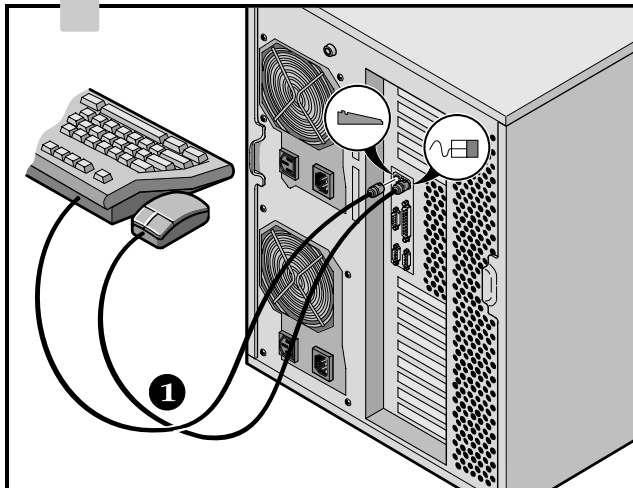
Utilisez la patte située au pied du serveur **A** pour le verrouiller en place.

Avant d'installer des cartes ISA, exécutez l'utilitaire de configuration système (SCU) en suivant les étapes 7 et 8 pour obtenir une liste des interruptions déjà utilisées.

L'installation du système d'exploitation réseau (NOS) ne peut se faire avec Quick Launch que si votre serveur possède les caractéristiques minimales suivantes :

- 16 Mo de RAM
- un moniteur SVGA
- un disque dur de 540 Mo minimum
- une souris à deux ou trois boutons
- un lecteur de CD-ROM amorçable connecté au contrôleur SCSI amorçable
- un clavier

## 4 Connectez les câbles et le cordon secteur



1. Connectez les câbles du clavier et de la souris aux connecteurs correspondants à l'arrière du serveur.
2. Placez votre moniteur à proximité du serveur. Connectez le câble de signalisation à l'arrière du moniteur puis au connecteur correspondant à l'arrière du serveur
3. Connectez le cordon secteur du moniteur à l'arrière du moniteur puis au connecteur correspondant à l'arrière du serveur ou dans une prise de courant murale.
4. Connectez les deux cordons secteur au serveur puis à une prise secteur.
5. Si une carte réseau est installée, connectez le câble du réseau à présent. Reportez-vous à la documentation du fabricant pour de plus amples informations.

### Remarque

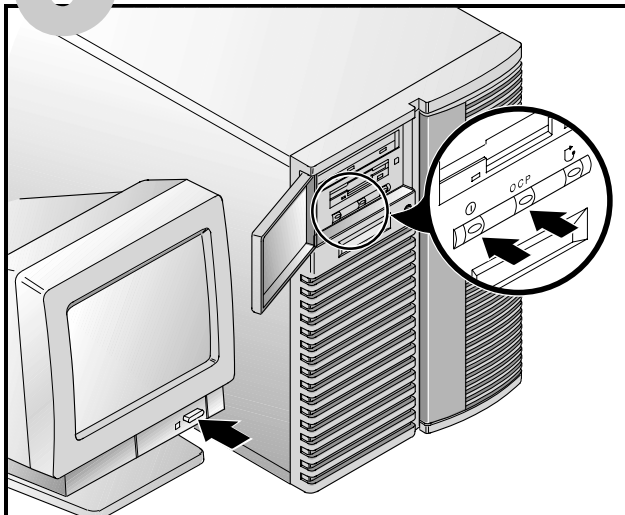
Certains écrans larges (17 pouces ou plus) consomment une puissance supérieure à ce que la prise d'alimentation secteur auxiliaire du serveur peut délivrer. Le cordon secteur fourni avec ces moniteurs doivent être branchés directement à une prise de courant murale.



### ATTENTION

N'essayez pas d'utiliser ou de modifier un cordon secteur de 100 Vca (Japon uniquement) ou de 115 Vca avec une tension secteur de 240 Vca. La modification de l'un ou l'autre des cordons risque d'endommager le matériel sérieusement.

# 5 Allumez le moniteur, puis le serveur



1. Allumez le moniteur.
2. Allumez le serveur.
3. L'affichage de l'écran de contrôle de l'opérateur (OCP : Operator Control Panel) devrait s'allumer automatiquement. Si ce n'est pas le cas, appuyez sur le bouton OCP.
4. Réglez le contraste et la luminosité de l'écran pour obtenir un affichage correct.

## Remarque

Reportez-vous au Manuel de référence système pour obtenir la liste des messages du BIOS et de l'Auto-test à la mise sous tension (POST).

Les icônes sur le panneau frontal sont, de gauche à droite, alimentation, éclairage de l'OCP et réinitialisation du système.

# 6

## Installez les cartes d'extension en option, si nécessaire

Assurez-vous que vous êtes familier avec :

- l'utilitaire de configuration du système (SCU)
- les utilitaires RAID
- l'utilitaire *SCSISelect*

Reportez-vous aux Manuel de référence système SCSI et RAID pour toute autre information supplémentaire.

Les cartes ISA doivent être installées après avoir exécuté l'utilitaire de configuration système (SCU) pour déterminer quelles sont les interruptions déjà utilisées. Les cartes PCI et EISA doivent être installées avant d'exécuter le SCU pour profiter des fonctions de détection automatique du SCU.

Utilisez le CD-ROM Quick Launch pour compléter l'installation du serveur. Suivez les étapes suivantes pour configurer votre serveur.

1. Trouvez le CD-ROM Quick Launch dans votre coffret du logiciel ServerWORKS. Allumez votre serveur et insérez le CD-ROM dans le lecteur.

Si votre serveur n'arrive pas à démarrer à partir du CD-ROM, appuyez sur Ctrl + Alt + Eff, puis sur Ctrl + A, quand invité à le faire, pour lancer l'utilitaire *SCSISelect*. Activez le CD-ROM Amorçable et les lignes INT13. Quittez puis réamorçez.

2. Utilisez le SCU, quand affiché, pour configurer les cartes EISA optionnelles que vous venez d'installer ou pour activer les cartes PCI. Si vous avez installé des cartes ISA, vérifiez la configuration des cartes courantes pour éviter les conflits d'interruptions (IRQ) avant de configurer manuellement les cavaliers et les interrupteurs.

Le serveur se réamorç automatiquement après avoir sauvé et quitté le SCU.

3. Si vous avez installé un contrôleur RAID, l'utilitaire de configuration RAID sera affiché dans l'étape suivante. Configurer votre serveur pour un fonctionnement RAID.

### **Remarque**

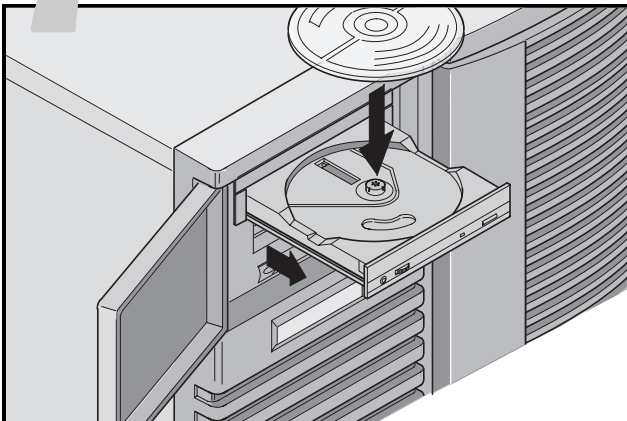
---

Si vous avez installé des cartes SCSI ou des cartes RAID supplémentaires, assurez-vous que la partition MS-DOS réside sur le disque désiré. Si ce n'est pas le cas, changez l'ordre de vos cartes et reconfigurez le serveur.

---

# 7

## Lancez le programme Quick Launch du CD-ROM



Utilisez le CD-ROM Quick Launch pour compléter l'installation du serveur. Suivez les étapes suivantes pour configurer votre serveur et installer un système d'exploitation.

### Remarque

Si vous avez installé une ou plusieurs cartes d'extension, commencez par suivre les instructions données dans la page précédente.

1. Trouvez le CD-ROM Quick Launch dans votre coffret du logiciel ServerWORKS. Allumez votre serveur et insérez le CD-ROM dans le lecteur.

Si votre serveur n'arrive pas à démarrer à partir du CD-ROM, appuyez sur Ctrl + Alt + Eff, puis sur Ctrl + A, quand invité à le faire, pour lancer l'utilitaire *SCSISelect*. Activez le CD-ROM Amorceable et les lignes INT13. Quittez puis réamorçez.

2. Quand invité, vous pouvez créer une partition MS-DOS de taille appropriée pour votre système d'exploitation. Le système vous invite à confirmer votre choix. Notez que Windows NT requiert une partition de 35 Mo. Les autres systèmes d'exploitation Windows requièrent 30 Mo.

L'écran principal de Quick Launch s'affiche et tous les utilitaires ainsi que les fichiers associés (SCU, diagnostics, RAID, etc.) sont installés sur la partition MS-DOS.

3. Sélectionnez *Installations et utilitaires* dans l'écran principal de Quick Launch. Choisissez *Rapide* pour installer Microsoft Windows NT ou Novell NetWare automatiquement. *Créer des disquettes* vous permet de créer les disquettes d'utilitaires et de pilotes nécessaires à l'installation manuelle de SCO UNIX, OS/2, Microsoft Windows NT ou Novell NetWare.

Reportez-vous au manuel de *Guide de premiers pas de ServerWORKS Quick Launch* inclus dans le coffret de logiciels ServerWORKS pour obtenir les procédures d'installation détaillées.



# 8

## Installation rapide du système d'exploitation

### Installation rapide de Microsoft Windows NT Serveur et de Novell NetWare

---

Les informations suivantes vous seront demandées lors de l'installation *Rapide* des systèmes d'exploitation Microsoft Windows NT ou Novell NetWare.

#### *Serveur Windows NT*

Nom et prénom \_\_\_\_\_

Nom de l'organisation \_\_\_\_\_

Nom du serveur \_\_\_\_\_

Clé du CD-ROM NT \_\_\_\_\_

Type de serveur NT \_\_\_\_\_

Licence \_\_\_\_\_

Fuseau horaire \_\_\_\_\_

Nom du groupe de travail/Domaine \_\_\_\_\_

#### Réseau

Installez NWLink

Installez NetBEUI

Installez TCP/IP

#### Système de fichiers

NTFS

FAT

Applique les Service Packs

#### Installation des applications

Installer Oracle

Serveur d'information Internet

#### *Novell NetWare*

Nom du serveur \_\_\_\_\_

Nom de l'organisation \_\_\_\_\_

Nom de l'arborescence des répertoires \_\_\_\_\_

Mot de passe de l'administrateur \_\_\_\_\_

Type de paquet \_\_\_\_\_

Numéro réseau externe IPX \_\_\_\_\_

Fuseau horaire \_\_\_\_\_

Remplissez les informations comme demandé. Ayez votre les éléments du logiciel Microsoft Windows NT ou Novell Netware sous la main. Suivez les instructions affichées sur l'écran pour commencez l'installation du système d'exploitation.

#### **Remarque**

L'application Serveur d'informations Internet n'est disponible que si "Installer TCP/IP" est sélectionné.

---

# 9

## Créez les disquettes de pilotes et d'utilitaires du serveur

Si désiré, vous pouvez créer les disquettes requises à partir d'une station de travail Windows en utilisant les procédures suivantes :

1. Trouvez le CD-ROM Quick Launch dans le coffret ServerWORKS et insérez-le dans le lecteur.
2. A partir du menu Démarrer, sélectionnez *Exécuter qlaunch.exe* qui se trouve dans le répertoire racine du CD-ROM. Le programme démarrera automatiquement si Windows 95 ou Windows NT V4.0 (ou plus récent) sont installés.
3. Sélectionnez le bouton *Installations et utilitaires*.
4. Choisissez l'onglet *Créer des disquettes* ou l'onglet *utilitaires*. *Utilitaires* est le défaut. Si vous choisissez *Créer des disquettes*, commencez par sélectionner un modèle, puis un système d'exploitation réseau et sa version. Sélectionnez Continuer. Si vous choisissez *Utilitaires*, sélectionnez un modèle de serveur pour voir les utilitaires disponibles pour ce serveur.
5. Sélectionnez l'utilitaire ou le pilote désiré, puis sélectionnez Continuer.
6. Introduisez une disquette haute-densité formatée dans le lecteur A, puis sélectionnez Continuer.

### Remarque

Pour de plus amples informations, reportez-vous au *Guide premiers pas de ServerWORKS Quick Launch* et à l'aide en ligne du programme ServerWORKS Quick Launch.

Les pilotes de périphériques suivants peuvent vous être nécessaires :

- SCSI—active votre serveur pour qu'il fonctionne avec l'interface SCSI Adaptec installée en usine.
- Vidéo—permet au serveur de fonctionner en utilisant le contrôleur vidéo ou d'autres cartes vidéo supportées.
- RAID—permet au serveur de fonctionner en utilisant un contrôleur RAID Mylex.
- Réseau—permet de choisir entre plusieurs pilotes de périphériques supportés par les cartes d'interface réseau de DIGITAL.

Les utilitaires suivants sont amorçables :

- SCU—vous permet de créer une disquette SCU amorçable pour une utilisation lors de la configuration du serveur ou lors de l'ajout d'options.
- RAID—vous permet de créer une disquette amorçable d'utilitaires de configuration RAID pour une utilisation lors de la configuration de matrices RAID externes optionnelles.
- Diagnostics—vous permet de créer des disquettes amorçables qui seront utilisées pour dépanner le serveur.

# 10

## Enregistrez votre serveur et étudiez la documentation

### Enregistrement

---

1. Notez ci-dessous les numéros de modèle et de série du serveur.

- Description de la famille de serveurs :

DIGITAL SERVER 7000

(situé sur la face avant du serveur)

- Numéro de modèle du serveur :

(situés sur la face arrière du serveur)

- Numéro de série du serveur :

(situés sur la face arrière du serveur)

2. Envoyez la fiche d'enregistrement incluse dans le coffret de documentation du serveur DIGITAL.

### Garantie

---

- 3 ans de garantie sur site du matériel.
- Reportez-vous à la brochure "Informations de garantie et de service" pour de plus amples informations sur les termes et conditions de la garantie.

### Si vous avez besoin d'aide

---

Si vous avez des questions au sujet du matériel, du logiciel ou de la garantie du serveur, contactez le service clientèle de DIGITAL.

### *Avant d'appeler DIGITAL*

1. Lancez le logiciel de diagnostic livré avec le serveur afin d'isoler le problème. Les diagnostics peuvent être exécutés à partir de la partition MS-DOS créée par Quick Launch ou vous pouvez créer des disquettes de diagnostics avec Quick Launch en utilisant la rubrique *Utilitaires* située sous le bouton *Installation et utilitaires*.
2. Ayez les numéros de modèle et de série du serveur disponibles avant d'appeler.
3. Notez tout message d'erreur et soyez préparé à décrire la séquence d'événements ayant conduit au problème.
4. Appelez le 1-800-354-9000.

### *Pour obtenir de l'assistance technique*

Des informations techniques sont disponibles 24/24 heures sur l'Internet. Pour des informations sur le produit, utilisez l'adresse :

<http://www.windows.digital.com>

Pour de l'assistance technique, utilisez l'adresse :

<http://www.windows.digital.com/support/support.asp>

Pour accéder directement à la librairie logicielle et aux mises à niveau du BIOS et des pilotes, utilisez l'adresse :

<http://www.windows.digital.com/~ftp/00-index.stm>

# 11

## Installez DIGITAL ServerWORKS Manager

Après avoir installé votre serveur et le système d'exploitation réseau, installez le logiciel DIGITAL ServerWORKS Manager pour :

- disposer d'une interface d'administration du serveur facile d'utilisation
- visualiser les données statistiques cruciales du serveur PC
- obtenir un plan topologique du réseau facile à lire
- gérer les conditions d'anomalies du serveur
- contrôler les périphériques de type SNMP distribués sur le réseau à partir de n'importe quel point du réseau

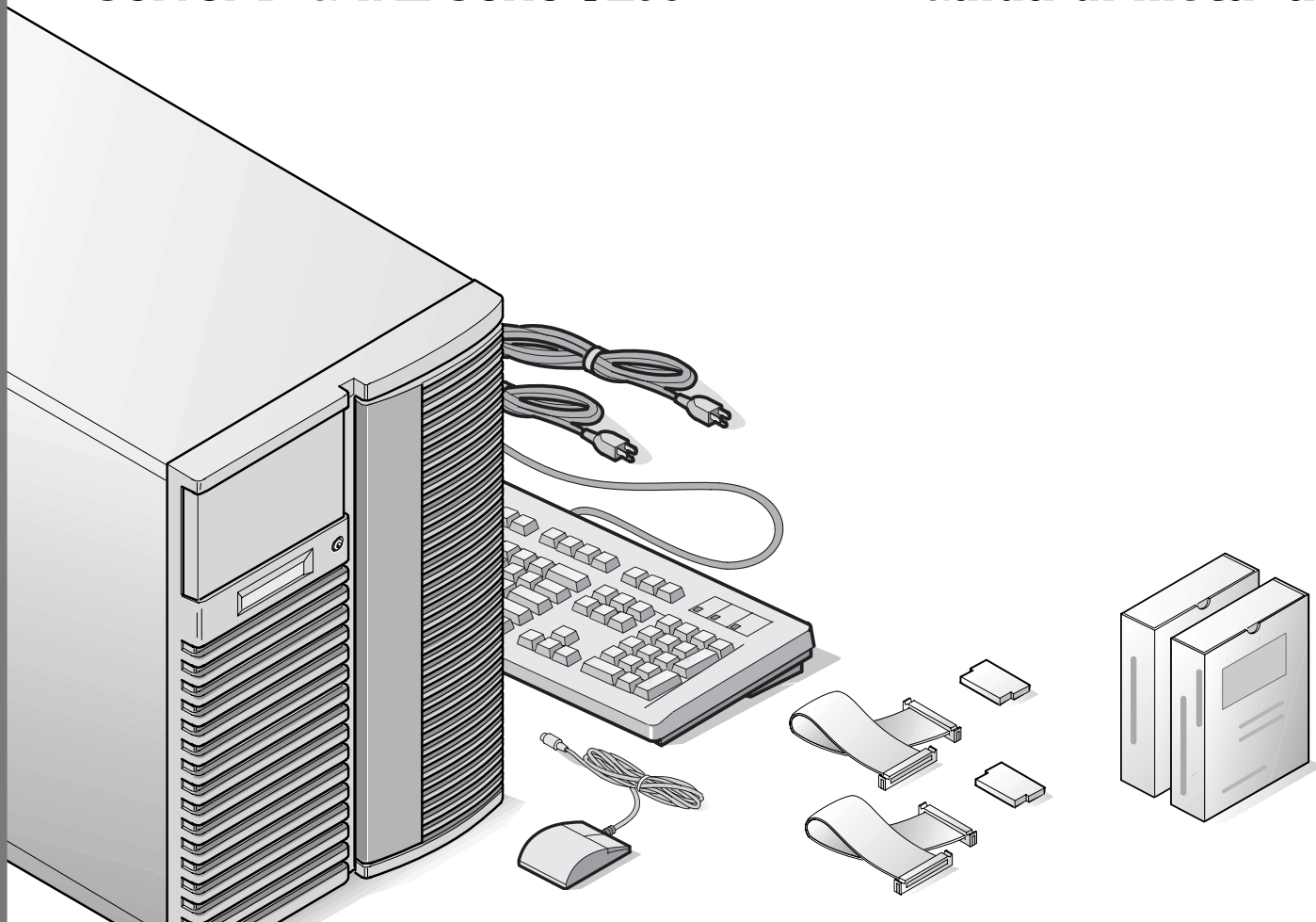
### **Remarque**

Reportez-vous au Guide de présentation et d'installation du kit logiciel DIGITAL ServerWORKS Manager pour obtenir les informations d'installation et une liste des systèmes d'exploitation supportés.

**digital**<sup>TM</sup>

## **Server DIGITAL Serie 7100**

## **Guida di installazione**



*... per avere acquistato un server 7100 della DIGITAL. La famiglia server della DIGITAL rappresenta l'impegno continuo della DIGITAL per una qualità senza compromessi, sostenuto da un'assistenza e supporto clienti da primato. Le seguenti procedure vi aiuteranno a impostare facilmente l'hardware ed il software del server.*

## **ServerWORKS Quick Launch DIGITAL**

ServerWORKS **Quick Launch** della DIGITAL permette di conseguire una facilità senza pari nell'installazione e configurazione dei componenti hardware e del software del sistema operativo di rete sulla linea di server della DIGITAL. Quick Launch combina un'interfaccia intuitiva e caratteristiche versatili e veloci per produrre un'installazione coerente e accurata, ottimizzata per i server della DIGITAL, estremamente potenti e molto acclamati.

Quick Launch in aggiunta al suo metodo di installazione automatico ma nello stesso tempo estensibile, per sistemi operativi di rete, offre un archivio completo di documentazione sul server, assistenza nella ricerca dei guasti e utility di configurazione indispensabili; tutto in un CD auto-partente!

## **Prima di iniziare**

Selezionare un'area adatta per l'assemblaggio e l'uso. Assicurarsi che nel posto di lavoro prescelto:

- vi siano prese elettriche e una presa telefonica
- non vi siano quantità eccessive di calore, polvere e luce solare diretta
- vi siano almeno 18 centimetri liberi su tutti i lati per una corretta circolazione dell'aria
- sia conforme a tutte le normative elettriche vigenti relative all'installazione di apparecchiature informatiche da parte di elettricisti qualificati

Vedere il "Manuale di riferimento del sistema" nel Manuale utente per informazioni sulla temperatura e sull'umidità.

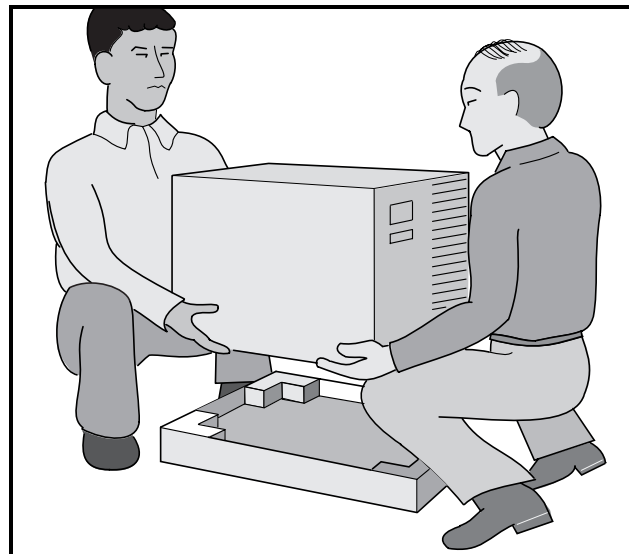
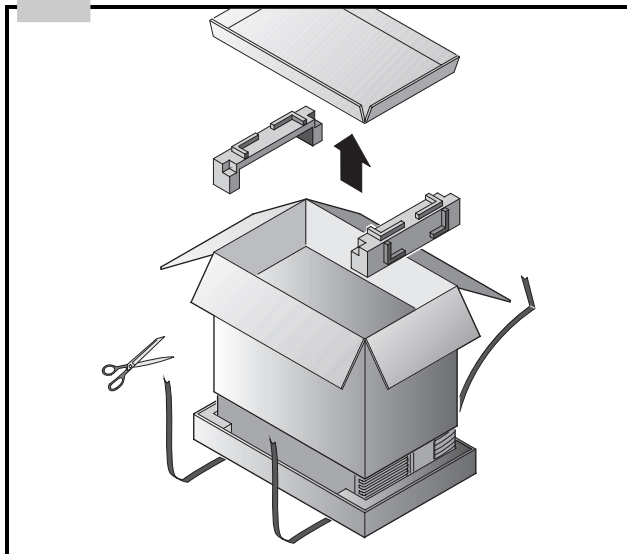
Se non si vuole installare il server da soli, contattare il Servizio Assistenza della DIGITAL. Un tecnico del Servizio Assistenza può installare il server per voi.



### **ATTENZIONE**

Usare estrema cautela quando si disimballa il server. A causa del suo peso, occorrono due persone per disimballarlo. L'inosservanza di adoperare due persone potrebbe violare alcuni regolamenti di sicurezza e potrebbe provocare ferite personali gravi o danni all'equipaggiamento.

# 1 Disimballare il server



## ATTENZIONE

Il server è pesante. Per sollevarlo, farsi aiutare da una seconda persona.

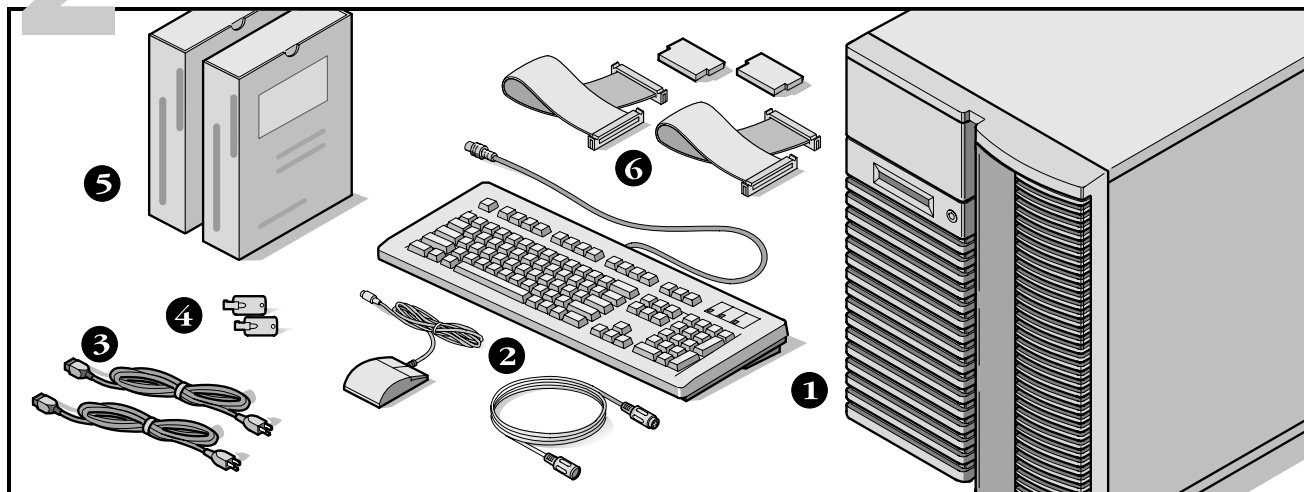
Disimballare il server seguendo le illustrazioni sulla scatola. Usare un attrezzo meccanico o l'assistenza di un'altra persona per sollevarlo dalla base di cartone.

- Occorre decidere su quale superficie si prevede di sistemare il server prima di sollevarlo.
- Si consiglia di muovere il server sulle rotelle incorporate, invece di trasportarlo.
- Stare in piedi vicino al server con le gambe divaricate per maggiore stabilità.

- Abbassarsi, piegando le ginocchia e mantenendo la schiena dritta.
- Afferrare saldamente il server, sollevarsi facendo leva sulle gambe e mantenendo la schiena dritta.
- Evitare movimenti di rotazione con la parte superiore del corpo. Spostare i piedi per girarsi.
- Abbassarsi con cautela usando i muscoli delle gambe per accovacciarsi, mantenendo la schiena dritta.
- Spostare il server usando le rotelle incorporate e innestare il freno come viene spiegato nella fase 3, Nota

Dopo avere disimballato il server, riciclare il materiale di imballaggio o smaltirlo nel modo più adatto.

## 2 Controllare i pezzi



Disimballare e identificare i componenti del server.

- ❶ Server 7100 DIGITAL
- ❷ Kit per ciascun Paese, con tastiera, cavo di prolunga per la tastiera e mouse (da ordinare separatamente)
- ❸ Un massimo di 3 cavi di alimentazione
- ❹ Chiavi del server
- ❺ Il software del server e i kit di documentazione includono manuali stampati e CD-ROM Quick Launch con documentazione in linea
- ❻ Cavo SCSI e terminatore (alcune configurazioni, includono fino a tre cavi separati oltre a quelli già installati.)

### NOTA

Il monitor deve essere ordinato separatamente.

Il kit software ServerWORKS DIGITAL include:

- ServerWORKS Quick Launch: il disco CD-ROM ServerWORKS Quick Launch e *la guida introduttiva*.
- ServerWORKS Manager: il software e la documentazione di ServerWORKS Manager.

Il kit di documentazione del server 7100 include:

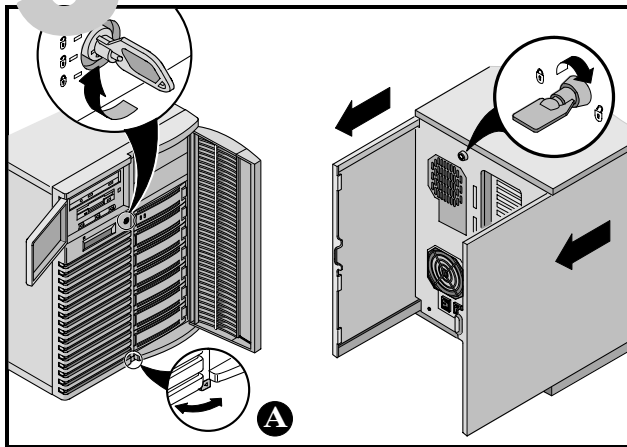
- la presente *Guida all'installazione*, il *manuale di riferimento del sistema*, una *panoramica sulla documentazione*, informazioni sulla garanzia e la manutenzione, la scheda di registrazione.

### NOTA

La documentazione è anche contenuta in linea nel CD-ROM Quick Launch.



## 3 Installare tutte le opzioni interne



Se si hanno delle opzioni da installare, farlo adesso.

1. Aprire le porte
2. Aprire i pannelli laterali
3. Rimuovere i pannelli laterali
4. Installare tutte le opzioni

Fare riferimento ai seguenti capitoli del Manuale utente per maggiori informazioni su:

- software e utility del server
- aggiornamenti per il modulo del processore
- installazione di memoria aggiuntiva
- installazione di unità a dischi e a nastri
- collegamento di adattatori SCSI e RAID

Consultare i capitoli seguenti nel Manuale di riferimento del sistema per informazioni dettagliate.



### AVVERTENZA

La rimozione dei pannelli laterali attiva gli interruttori di corrente di interbloccaggio. Questi interruttori spengono il server. Ci si può ferire o si può danneggiare il server se si cerca di annullare o aggirare questi interruttori. Riposizionare sempre i pannelli laterali prima di accendere il server. Prima di toccare qualsiasi scheda con circuiti o componenti elettronici, indossare un cinturino da polso antistatico, correttamente messo a terra al telaio del server, oppure toccare la struttura metallica per scaricare l'eventuale elettricità accumulata.

### NOTA

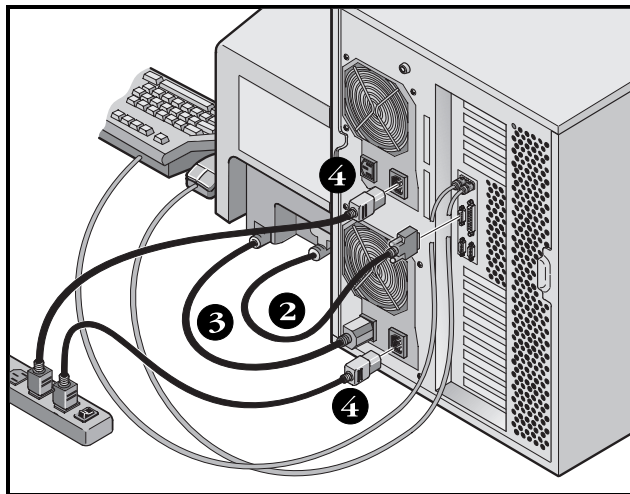
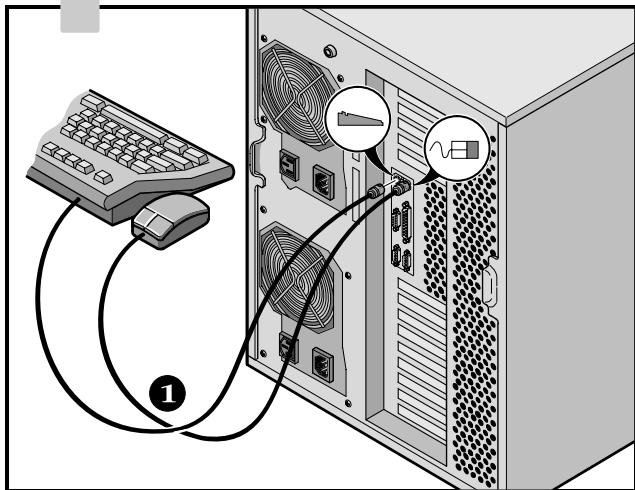
Usare il freno posizionato sotto il server **A** per bloccare il server in posizione.

Le schede ISA dovrebbero venire installate dopo l'esecuzione dell'utilità di configurazione del sistema nella fase 7 o 8 dato che la SCU elencherà gli IRQ già usati.

Se si prevede di usare Quick Launch per installare il Sistema operativo di rete, il server deve soddisfare i requisiti minimi per procedere all'installazione del server:

- 16 MB di RAM
- Monitor SVGA
- 540 MB come minimo di disco rigido
- Mouse a due o tre tasti
- Lettore CD-ROM collegato al controller SCSI auto partente
- Tastiera

# 4 Collegare i cavi e il filo di alimentazione



1. Collegare i cavi del mouse e della tastiera nei rispettivi connettori posti dietro al server.
2. Posizionare il monitor vicino al server. Collegare il cavo di segnale del monitor dietro il monitor e poi collegarlo al corrispondente connettore posto dietro al server.
3. Collegare il cavo di alimentazione del monitor dietro al monitor e poi collegarlo al corrispondente connettore posto dietro al server oppure alla presa a muro.
4. Collegare entrambi i cavi di alimentazione in c.a. al server e quindi alla presa di rete.
5. Se si è installata una scheda di rete, collegare adesso il cavo della rete. Fare riferimento alla documentazione fornita dal produttore per maggiori informazioni.

## NOTA

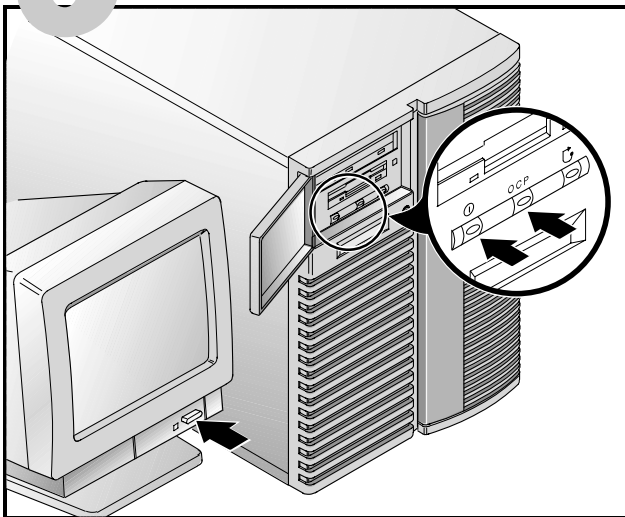
Alcuni monitor grandi (da 17-pollici in diagonale e più) richiedono una corrente maggiore di quella che la presa ausiliare ca del server può fornire. Questi monitor avranno cavi di alimentazione che dovranno essere collegati direttamente in una presa di corrente a muro.



## AVVERTENZA

Non provare a modificare o usare un cavo di alimentazione ca esterno da 100 V (solo in Giappone) o da 115 V per un'alimentazione ca di ingresso da 240 V. La modifica di uno dei due cavi può causare gravi danni ai dispositivi.

## 5 Accendere il monitor e poi il server



1. Accendere il monitor.
2. Accendere il server.
3. Il pannello di controllo dell'operatore (OCP) dovrebbe accendersi automaticamente. In caso contrario, premere il pulsante OCP.
4. Aggiustare il contrasto e la luminosità del monitor per ottenere una visualizzazione sullo schermo leggibile.

### **NOTA**

Fare riferimento al Manuale di riferimento del sistema per i messaggi del BIOS e dell'Auto test all'accensione (POST).

Le icone degli interruttori del pannello frontale sono, da sinistra verso destra, accensione, OCP, luce di sfondo e ripristino sistema.

# 6

## Se occorre installare schede di espansione opzionali

Accertarsi che si sappiano usare:

- L'utility di configurazione del sistema (SCU)
- Utility RAID
- L'utility *SCSISelect*

Fare riferimento al Manuale di riferimento del sistema e ai manuali SCSI e RAID per qualsiasi informazione aggiuntiva.

Poiché la SCU elenca gli IRQ già in uso, le schede ISA devono essere installate *dopo* aver eseguito la SCU. Le schede PCI e EISA devono venire installati prima di eseguire la SCU per avvantaggiarsi della funzione di rilevamento automatico della SCU.

Usare il disco CD-ROM Quick Launch per completare l'installazione del server. Seguire questa procedura per configurare il server.

1. Individuare il disco CD-ROM Quick Launch nel kit del software ServerWORKS. Accendere il server ed inserire il disco CD-ROM.

Se il server non riesce ad avviarsi dal CD-ROM, premere Ctrl + Alt + Canc e poi Ctrl + A, quando lo richiede il sistema, per eseguire l'utilità *SCSISelect*. Attivare le righe Bootable CD-ROM e INT13. Uscire e riavviare il server.

2. Usare la SCU, quando viene visualizzata, per configurare le schede di opzione EISA installate o per attivare le schede PCI. Dopo l'installazione di schede ISA, verificare la configurazione di scheda corrente per evitare conflitti di IRQ prima dell'impostazione manuale di ponticelli e di interruttori.

Il server automaticamente si riavvia dopo che si salva e si esce da SCU.

3. Se si è installato un controller RAID, l'utility di configurazione RAID verrà visualizzata dopo. Configurare il server per RAID.

### **NOTA**

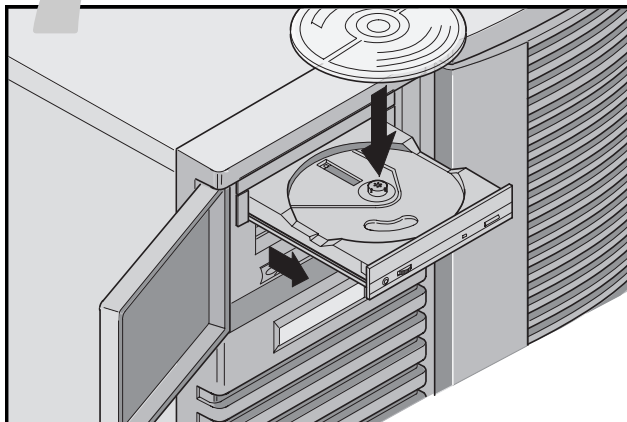
---

Se si sono installate schede SCSI o RAID aggiuntive, accertarsi che la partizione di MS-DOS risieda sul drive desiderato. Se no, spegnere il server, cambiare l'ordine delle schede e riconfigurare il server.

---

# 7

## Eseguire il programma Quick Launch su CD-ROM



Usare il disco CD-ROM Quick Launch per completare l'installazione del server. Seguire le seguenti istruzioni per configurare il server e installare un sistema operativo.

### NOTA

Se sono state installate schede di espansione opzionali, occorre seguire le istruzioni elencate nella pagina precedente.

1. Individuare il disco CD-ROM Quick Launch nel kit del software ServerWORKS. Accendere il server ed inserire il disco CD-ROM.

Se il server non riesce ad avviarsi dal CD-ROM, premere Ctrl + Alt + Canc e poi Ctrl + A, quando lo richiede il sistema, per eseguire l'utilità *SCSISelect*. Attivare le righe bootable CD-ROM e INT13. Uscire e riavviare il server.

2. Verrà visualizzato un messaggio che chiede all'utente se desidera creare una partizione MS-DOS delle dimensioni adatte per il sistema operativo in dotazione. Il sistema chiede in seguito di confermare la scelta. Si noti che Windows NT richiede una partizione di 35 MB. Altri sistemi operativi Windows richiedono 30 MB. Viene visualizzata la schermata principale di Quick Launch e vengono installate nella partizione MS-DOS tutte le utility e i file relativi (SCU, diagnostica, RAID, e così via).
3. Dalla schermata principale di Quick Launch, selezionare *Installations & Utilities (installazioni e utility)*. Scegliere l'opzione *Express* per installare automaticamente Microsoft Windows NT o Novell NetWare. L'opzione *Create Diskettes* consente di creare i dischetti con le utility e i driver necessari per l'installazione manuale di SCO UNIX, OS/2, Microsoft Windows NT, Novell NetWare.

Per ulteriori dettagli sulla procedura di installazione, consultare la guida introduttiva di *ServerWORKS Quick Launch* allegata al kit del software di ServerWORKS.

# 8

## Installazione Express del sistema operativo

### Installazione Express di Microsoft Windows NT Server & Novell NetWare

---

Prima di poter installare con *Express* i sistemi operativi Microsoft Windows NT o Novell NetWare, verrà richiesto di fornire le seguenti informazioni.

#### *Windows NT Server*

Nome completo \_\_\_\_\_

Nome organizzazione \_\_\_\_\_

Nome server \_\_\_\_\_

Chiave CD NT \_\_\_\_\_

Tipo di server NT \_\_\_\_\_

Licenza \_\_\_\_\_

Fuso orario \_\_\_\_\_

Nome gruppo di lavoro/Dominio \_\_\_\_\_

#### Rete

Installare NWLink

Installare NetBEUI

Installare TCP/IP

#### File System

NTFS

FAT

Applicazione Service Packs

#### Installazione applicazioni

Installazione Oracle

Internet Information Server

#### *Novell NetWare*

Nome server \_\_\_\_\_

Nome organizzazione \_\_\_\_\_

Nome albero directory \_\_\_\_\_

Password dell'amministratore \_\_\_\_\_

Tipo di frame \_\_\_\_\_

Numero rete esterna IPX \_\_\_\_\_

Fuso orario \_\_\_\_\_

Completare le informazioni come richiesto. Tenere pronto il kit software di Microsoft Windows NT o Novell Netware. Seguire le istruzioni sullo schermo per iniziare l'installazione del sistema operativo.

#### **NOTA**

L'applicazione Internet Information Server è disponibile soltanto quando è selezionata l'opzione "Install TCP/IP".

---

# 9

## Creare dischetti di utility e di driver di dispositivi del server

Per creare i dischetti necessari da stazioni di lavoro basate su Windows, attenersi alle seguenti istruzioni.

1. Individuare il disco CD-ROM Quick Launch nel kit software ServerWORKS. Inserire il disco CD-ROM nel lettore di CD-ROM.
2. Dal menu Avvio, selezionare *Esegui qlaunch.exe* dalla directory principale del disco a CD-ROM. Il programma viene avviato automaticamente se è installato Windows 95 o Windows NT V4.0 o superiore.
3. Selezionare il pulsante *Installations & Utilities* (*installazioni e utility*.)
4. Scegliere la scheda *Create Diskettes* o quella *Utilities*. *Utilities* è la selezione predefinita. Se si sceglie *Create Diskettes*, selezionare prima un modello, quindi un sistema operativo di rete e la relativa versione. Selezionare Avanti. Se si sceglie *Utilities*, selezionare un modello di server per visualizzare le utility del server specifico.
5. Selezionare la utility o il driver e premere Avanti.
6. Inserire un dischetto formattato ad alta densità nell'unità A e scegliere Avanti.

### NOTA

Per ulteriori informazioni, consultare la guida introduttiva di *ServerWORKS Quick Launch* e la guida in linea nel programma ServerWORKS Quick Launch.

Qui di seguito sono elencati i driver di dispositivo di cui si potrebbe avere bisogno.

- SCSI—consente al server di utilizzare l'adattatore SCSI Adaptec installato in fabbrica.
- Video—permette al server di operare usando il controller video su scheda o altre schede video supportate.
- RAID—permette al server di operare usando un controller RAID Mylex.
- Rete—scegliere tra diversi driver di dispositivi per schede di interfaccia di rete supportate dalla DIGITAL.

Qui di seguito sono elencate le utility auto-partenti del server.

- SCU—permette di creare un dischetto auto-partente SCU da usare quando si configura il server e si aggiungono opzioni.
- RAID—permette di creare un dischetto auto-partente di utility di configurazione RAID da usare quando si configura un array RAID esterno opzionale.
- Diagnostica—consente di creare dischetti avviabili da utilizzare nelle procedure di diagnostica del server.

# 10

## Registrare il server e revisionare la documentazione

### Registrare

---

1. Annotare qui il numero di modello e il numero seriale del server.

- Descrizione della famiglia di server:

DIGITAL Server 7000

(posizionato nella parte anteriore del server)

- Numero di modello del server:

\_\_\_\_\_

(posizionato nella parte posteriore del server)

- Numero di serie del server:

\_\_\_\_\_

(posizionato nella parte posteriore del server)

2. Spedire la scheda di registrazione contenuta nel kit di documentazione del server DIGITAL.

### Garanzia

---

- 3-anni di garanzia hardware sul posto.
- Fare riferimento alle Informazioni di Garanzia e di Assistenza per termini e condizioni di garanzia particolari.

### Se serve aiuto

---

Se si hanno domande sull'hardware, il software o la garanzia del server, si prega di contattare l'organizzazione di Assistenza Clienti della DIGITAL.

### *Prima di chiamare la DIGITAL*

1. Eseguire il programma diagnostico fornito con il server per isolare il problema. La diagnostica può essere avviata dalla partizione di MS-DOS creata da Quick Launch o si possono creare i dischetti di diagnostica da Quick Launch usando l'opzione *Utilities* che si raggiunge tramite il pulsante *Installations & Utilities*.
2. Avere a portata di mano il numero di modello e il numero seriale del server prima di chiamare.
3. Annotare qualsiasi messaggio di errore ed essere pronti a descrivere la sequenza di eventi che hanno portato al problema.
4. Chiamare 1-800-354-9000.

### *Per informazioni tecniche*

Informazioni di carattere tecnico sono disponibili su Internet 24 ore su 24. Per informazioni sui prodotti, collegarsi al seguente indirizzo:

<http://www.windows.digital.com>

Per l'assistenza tecnica, collegarsi al seguente indirizzo:

<http://www.windows.digital.com/support/support.asp>

Per accedere direttamente alla biblioteca di software e ottenere gli aggiornamenti al BIOS e ai driver, collegarsi al seguente indirizzo:

<http://www.windows.digital.com/~ftp/00-index.stm>



# 11

## Installare il software ServerWORKS Manager della DIGITAL

Una volta effettuata l'installazione del server e del sistema operativo di rete, installare il ServerWORKS Manager della DIGITAL per:

- accedere ad un'interfaccia di gestione del server facile da usare;
- controllare statistiche critiche del server PC;
- ottenere una mappa topologica della rete facile da leggere;
- gestire condizioni di guasto del server;
- supportare dispositivi di rete distribuiti SNMP da qualsiasi punto della LAN.

### **NOTA**

---

Per informazioni sull'installazione ed un elenco dei sistemi operativi compatibili, consultare la panoramica e la guida all'installazione nel kit del software ServerWORKS Manager della DIGITAL.

---



ER-932WW-IM.



A01

Copyright © Digital Equipment Corporation, 1997  
All Rights Reserved

DIGITAL and ServerWORKS are trademarks of Digital Equipment Corporation.  
SCO is a trademark of The Santa Cruz Operation, Inc.  
UNIX is a registered trademark of X/Open Company, Ltd.  
OS/2 is a registered trademark of International Business Machines Corporation.  
MS-DOS and Windows are registered trademarks and NT is a trademark of Microsoft Corporation.  
NetWare is a U.S. registered trademark of Novell, Inc.  
All other trademarks and registered trademarks are the property of their respective holders.  
PRINTED IN U.S.A.

