



## **H7291 POWER SUPPLY INSTALLATION CARD**

ER-H7291-IN. A01

Use this card as a quick reference to install the H7291 power supply in a DIGITAL Server 7300 system.

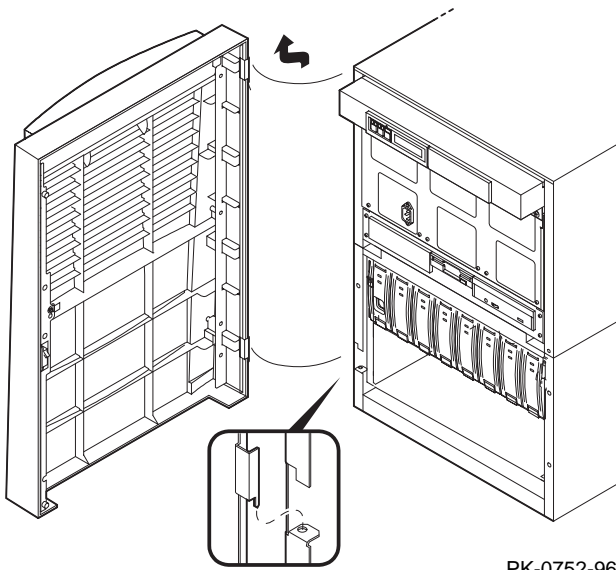
*CAUTION: Wear an antistatic wrist strap when working on this system.*

### **Overview**

- Expose the system drawer in the pedestal or cabinet.
- Open the power section cover.
- Verify the installation.

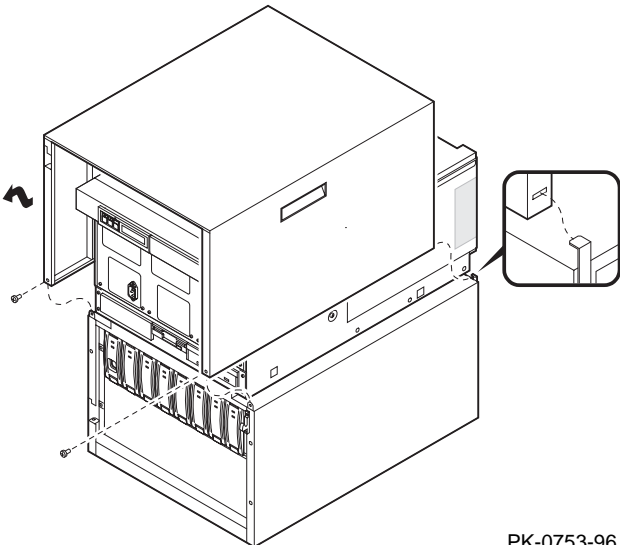
### **Expose the System Drawer in the Pedestal**

1. Shut down the operating system and power down the system.
2. Open the front door of the pedestal and remove it by lifting and pulling it away from the system, as shown in the following illustration.



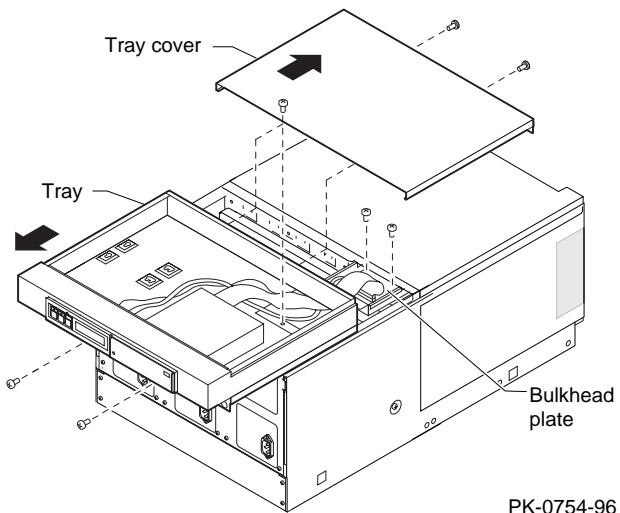
PK-0752-96

3. Remove the top cover from the pedestal: remove the two screws midway up the side of the pedestal (one on each side), tilt the cover up, and lift it away from the frame.



PK-0753-96

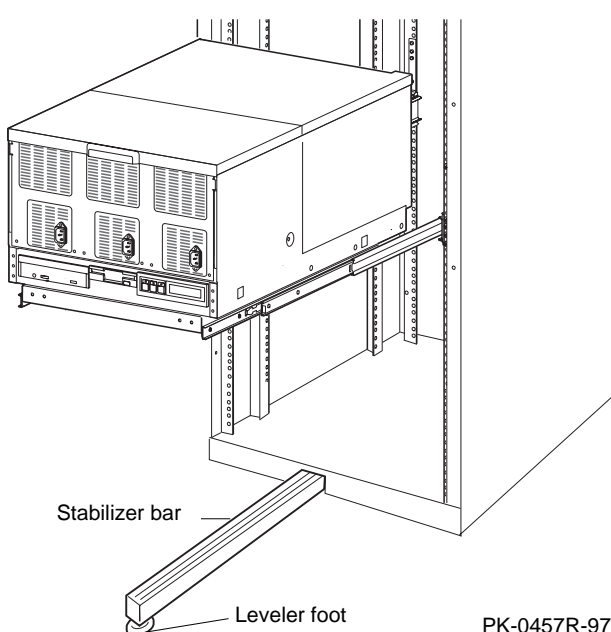
4. Remove the tray cover by removing the two screws at the back of the tray.
5. Disconnect the cables that connect the control panel (and any optional SCSI devices) to the bulkhead connector in the rear right corner of the tray.
6. Remove the screw holding the tray to the bulkhead.
7. Remove the two screws at the front of the tray and slide the tray off the drawer.
8. Remove the two screws holding the bulkhead plate in place and remove the plate.



### Expose the System Drawer in the H9A10-EN/EP Cabinet

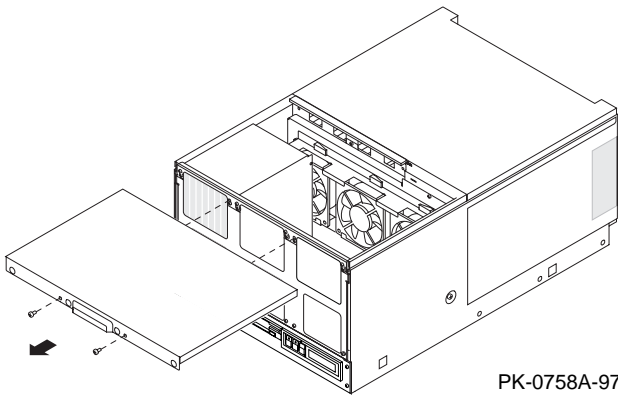
*WARNING: Only DIGITAL Customer Service representatives or customer maintenance personnel who are familiar with computer hardware should slide system drawers out of the cabinet. Personnel should be experienced and trained in installing computers and related equipment. Before pulling a system drawer out, make sure the stabilizer bar is fully extended; then adjust the foot at the end of the bar so it touches the floor.*

1. Open the front door of the cabinet.
2. Pull out the stabilizer bar at the bottom of the cabinet until it stops.
3. Extend the leveler foot at the end of the stabilizer bar to the floor.
4. Unplug the power supplies in the drawer.
5. Slide the drawer out until it locks.



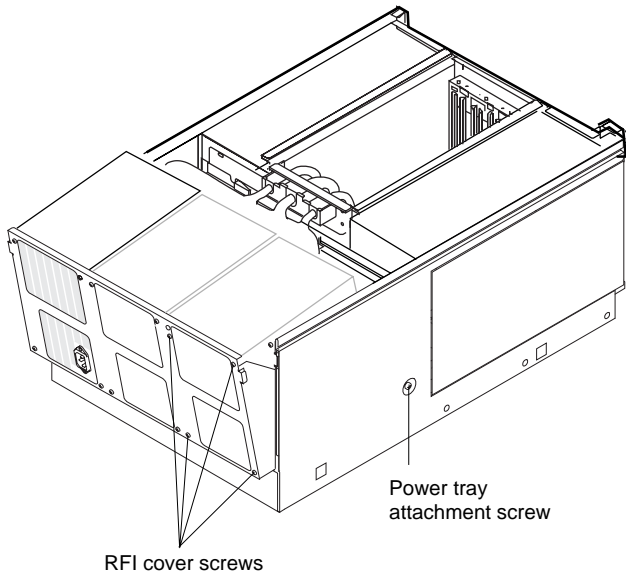
## Install the Power Supply

1. Remove the cover from the power system section by removing the two screws and sliding the cover off the drawer.



PK-0758A-97

2. Remove and retain the two power tray attachment screws. There is one screw on each side of the system drawer. Tilt the power tray forward.

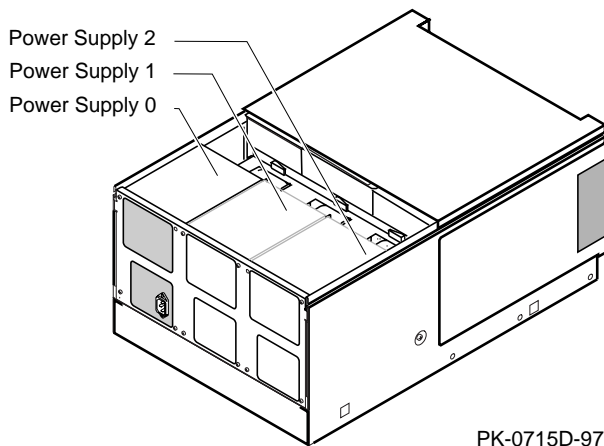


Power tray  
attachment screw

RFI cover screws

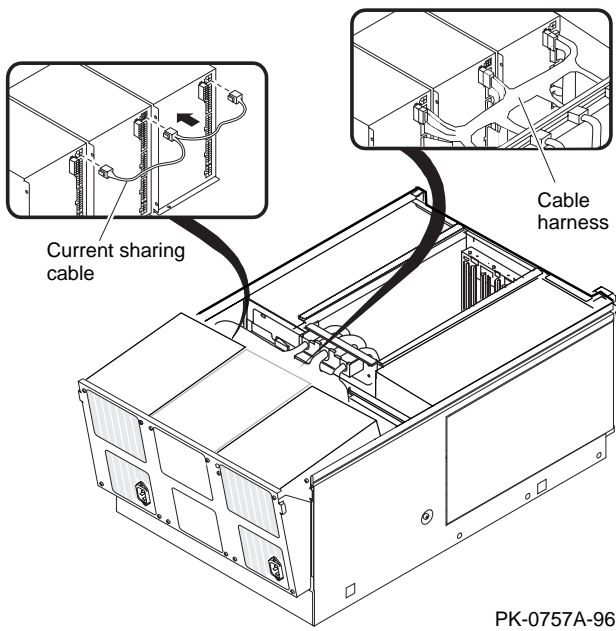
PK-0717C-97

3. Determine the space in which the power supply will be installed. Power supply 0 is installed first, power supply 2 second, and power supply 1 third. Remove the RFI cover from that space by removing the four screws at the front of the power tray. Retain the screws. Insert the power supply in the appropriate space.



PK-0715D-97

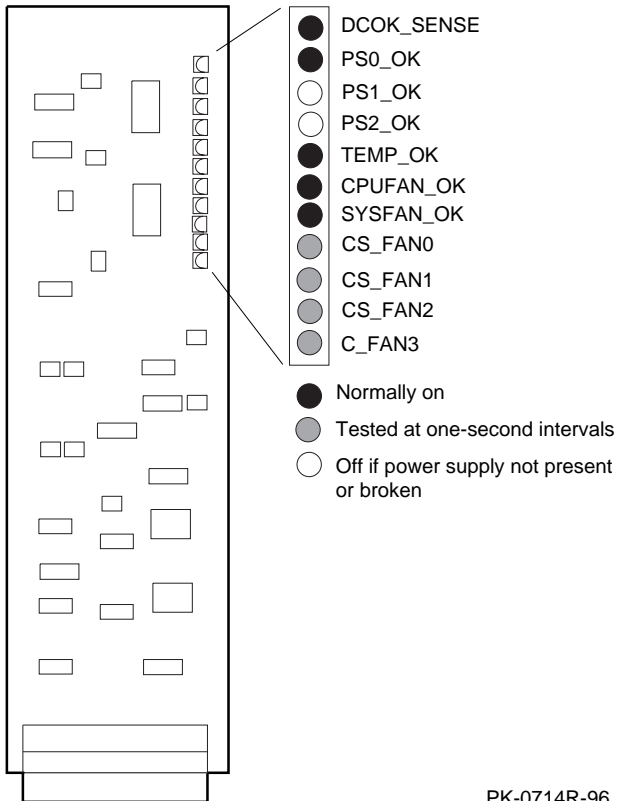
4. Insert the screws at the front of the tray to hold the power supply in place:  
If you are installing power supply 2, insert three screws (do not place a screw in the upper left corner).  
If you are installing power supply 1, insert four screws.
5. Attach the current sharing cable at the rear of the power supply.
6. Attach the cable harness.



7. Attach the power cord to the receptacle at the front of the power supply.
8. Replace the cover on the power system section.  
Replace the pedestal tray and cover and the door, or slide the system drawer into the cabinet.

### Verify the Installation

1. Power the system up with the HALT button in the depressed position to bring the system to the SRM console prompt.
2. Issue the SRM **show power** command to display the status of the new power supply
3. Check the LEDs on the power control module to determine that the power supply is functioning properly.



PK-0714R-96