

HP DECnet-Plus for OpenVMS

Network Control Language Reference

Order Number: BA406-90004

January 2005

This manual describes the syntax and features of the Network Control Language (NCL) and the NCL commands used for network management modules.

Revision/Update Information:	This manual supersedes <i>DECnet-Plus Network Control Language Reference</i> (AA-Q190F-TE).
Operating Systems:	OpenVMS I64 Version 8.2 OpenVMS Alpha Version 8.2
Software Version:	HP DECnet-Plus for OpenVMS Version 8.2

Hewlett-Packard Company
Palo Alto, California

© Copyright 2005 Hewlett-Packard Development Company, L.P.

Confidential computer software. Valid license from HP required for possession, use, or copying. Consistent with FAR 12.211 and 12.212, Commercial Computer Software, Computer Software Documentation, and Technical Data for Commercial Items are licensed to the U.S. Government under vendor's standard commercial license.

The information contained herein is subject to change without notice. The only warranties for HP products and services are set forth in the express warranty statements accompanying such products and services. Nothing herein should be construed as constituting an additional warranty. HP shall not be liable for technical or editorial errors or omissions contained herein.

Intel and Itanium are trademarks or registered trademarks of Intel Corporation or its subsidiaries in the United States and other countries.

UNIX is a registered trademark of The Open Group.

Printed in the US

Contents

Preface	xix
----------------------	-----

Part I NCL Overview

1 Introduction to NCL

1.1	Rights Identifiers Required for Use of NCL	1-1
1.1.1	Access to Local Network Data	1-1
1.1.2	Access to Remote Network Data	1-2
1.2	Network Management Graphical User Interface	1-2
1.3	Getting Started with NCL	1-3
1.3.1	Invoking NCL	1-3
1.3.2	Accessing Online NCL Help Information	1-4
1.3.3	Creating Log Files	1-6
1.3.4	Connecting to a Remote Node by Address	1-6
1.4	Common NCL Commands	1-7
1.4.1	add and remove	1-7
1.4.2	create and delete	1-7
1.4.3	disable and enable	1-8
1.4.4	set	1-8
1.4.5	show	1-9
1.5	NCL Command Syntax	1-10
1.5.1	Verbs	1-10
1.5.2	Entity Name	1-11
1.5.3	Attribute Specifiers	1-11
1.5.3.1	Attribute Groups	1-11
1.5.3.2	Characteristics	1-11
1.5.3.3	Counters	1-12
1.5.3.4	Identifiers	1-12
1.5.3.5	Status Attributes	1-12
1.5.4	Arguments	1-12
1.5.5	Prepositional Phrases	1-12
1.5.5.1	Qualifying NCL Commands	1-12
1.5.5.2	Restrictions of With Clause	1-13
1.5.6	Using Abbreviations	1-13
1.5.7	Specifying Full Names in an NCL Request	1-14
1.5.8	Specifying Hex Strings	1-15
1.5.9	Using Wildcard Characters in a Command	1-15
1.5.10	Recalling a Command	1-16
1.5.11	NCL Command Output	1-16
1.5.12	Displaying Unique Identification (UID) Values	1-17
1.5.13	Specifying Access Control Information	1-17
1.5.14	Establishing Default Context	1-18
1.5.14.1	Default Context Usage Notes	1-18

1.6	Using Snapshot	1-21
1.7	Setting Up Optional Initialization or Key Definition Files	1-22
1.7.1	KEYPAD Definition for NCL	1-22
1.8	Accessing Name Service Information	1-23
1.9	Using NCP for Remote Network Management	1-23
1.10	Console Carrier	1-24

Part II NCL Reference

2 Node Module

2.1	node	2-2
2.1.1	Entity Name	2-2
2.1.2	Commands	2-2
2.1.3	Arguments	2-2
2.1.4	Characteristic Attributes	2-3
2.1.5	Counter Attributes	2-3
2.1.6	Identifier Attributes	2-3
2.1.7	Status Attributes	2-4
2.1.8	Event Messages (Tru64 UNIX)	2-4
2.1.9	Exception Messages (Tru64 UNIX)	2-5

3 Alias Module (OpenVMS)

3.1	alias	3-2
3.1.1	Counter Attributes	3-2
3.1.2	Exception Messages	3-2
3.2	alias port	3-3
3.2.1	Commands	3-3
3.2.2	Arguments	3-3
3.2.3	Characteristic Attributes	3-3
3.2.4	Counter Attributes	3-4
3.2.5	Identifier Attributes	3-4
3.2.6	Status Attributes	3-4
3.2.7	Exception Messages	3-4

4 CSMA-CD Module

4.1	csma-cd	4-2
4.1.1	Characteristic Attributes	4-2
4.1.2	Exception Messages	4-2
4.2	csma-cd port	4-3
4.2.1	Counter Attributes	4-3
4.2.2	Identifier Attributes	4-4
4.2.3	Status Attributes	4-4
4.3	csma-cd station	4-6
4.3.1	Arguments	4-6
4.3.2	Characteristic Attributes	4-6
4.3.3	Counter Attributes	4-6
4.3.4	Identifier Attributes	4-9
4.3.5	Status Attributes	4-9
4.3.6	Event Messages	4-10
4.3.7	Exception Messages	4-11

5 DDCMP Module (OpenVMS)

5.1	ddcmp	5-2
5.1.1	Characteristic Attributes	5-2
5.1.2	Exception Messages	5-2
5.2	ddcmp link	5-3
5.2.1	Arguments	5-3
5.2.2	Characteristic Attributes	5-3
5.2.3	Counter Attributes	5-4
5.2.4	Identifier Attributes	5-5
5.2.5	Status Attributes	5-5
5.2.6	Event Messages	5-5
5.2.7	Exception Messages	5-6
5.3	ddcmp link logical station	5-8
5.3.1	Characteristic Attributes	5-8
5.3.2	Counter Attributes	5-11
5.3.3	Identifier Attributes	5-13
5.3.4	Status Attributes	5-14
5.3.5	Event Messages	5-14
5.3.6	Exception Messages	5-15
5.4	ddcmp port	5-16
5.4.1	Identifier Attributes	5-16
5.4.2	Status Attributes	5-16

6 Device Module

6.1	device	6-2
6.1.1	Characteristic Attributes	6-2
6.1.2	Status Attributes	6-2
6.1.3	Exception Messages	6-2
6.2	device unit	6-3
6.2.1	Commands	6-3
6.2.2	Arguments	6-3
6.2.3	Characteristic Attributes	6-3
6.2.4	Counters	6-4
6.2.5	Identifier Attributes	6-4
6.2.6	Status Attributes	6-4
6.2.7	Event Messages	6-5
6.2.8	Exception Messages (OpenVMS)	6-7

7 DECdns Modules

7.1	DNS Server Module	7-1
7.2	DNS Clerk Module	7-2

8 DECdts Module

9 Event Dispatcher Module

9.1	event dispatcher	9-2
9.1.1	Commands	9-2
9.1.2	Characteristic Attributes	9-2
9.1.3	Counter Attributes	9-2
9.1.4	Status Attributes	9-2
9.1.5	Event Messages	9-3
9.1.6	Exception Messages (Tru64 UNIX)	9-3
9.2	event dispatcher outbound stream	9-4
9.2.1	Commands	9-4
9.2.2	Arguments	9-5
9.2.3	Characteristic Attributes	9-6
9.2.4	Counters Attributes	9-7
9.2.5	Identifier Attributes	9-8
9.2.6	Status Attributes	9-8
9.2.7	Event Messages	9-8
9.2.8	Exception Messages	9-10
9.3	event dispatcher relay	9-11
9.3.1	Status Attributes	9-11
9.3.2	Exception Messages	9-11
9.4	event dispatcher relay logging	9-12
9.4.1	Counter Attributes	9-12
9.4.2	Identifier Attributes	9-12
9.4.3	Status Attributes	9-12
9.4.4	Event Messages	9-12
9.5	event dispatcher sink	9-13
9.5.1	Commands	9-13
9.5.2	Arguments	9-14
9.5.3	Characteristic Attributes	9-14
9.5.4	Counter Attributes	9-16
9.5.5	Identifier Attributes	9-16
9.5.6	Status Attributes	9-16
9.5.7	Event Messages	9-16
9.5.8	Exception Messages	9-17
9.6	event dispatcher sink inbound stream	9-18
9.6.1	Commands	9-18
9.6.2	Counter Attributes	9-18
9.6.3	Identifier Attributes	9-18
9.6.4	Status Attributes	9-18
9.6.5	Event Messages	9-18

10 FDDI Module

10.1	fddi	10-3
10.1.1	Characteristic Attributes	10-3
10.1.2	Exception Messages	10-3
10.2	fddi station	10-4
10.2.1	Arguments	10-4
10.2.2	Characteristic Attributes	10-4
10.2.3	Counter Attributes	10-5
10.2.4	Identifier Attributes	10-5
10.2.5	Status Attributes	10-5
10.2.6	Event Messages	10-5
10.2.7	Exception Messages	10-6

10.3	fdi station link	10-7
10.3.1	Commands (Tru64 UNIX)	10-7
10.3.2	Arguments	10-7
10.3.3	Characteristic Attributes	10-8
10.3.4	Counter Attributes	10-8
10.3.5	Identifier Attributes	10-11
10.3.6	Status Attributes	10-11
10.3.7	Event Messages	10-13
10.3.8	Exception Messages	10-14
10.4	fdi station phy port	10-15
10.4.1	Characteristic Attributes	10-15
10.4.2	Counter Attributes	10-15
10.4.3	Identifier Attributes	10-16
10.4.4	Status Attributes	10-16
10.4.5	Event Messages	10-17
10.4.6	Exception Messages	10-17
10.5	fdi port	10-18
10.5.1	Counter Attributes	10-18
10.5.2	Identifier Attributes	10-18
10.5.3	Status Attributes	10-18

11 Frame Module (OpenVMS)

11.1	frame	11-2
11.1.1	Characteristic Attributes	11-2
11.1.2	Status Attributes	11-2
11.2	frame link	11-3
11.2.1	Arguments	11-3
11.2.2	Characteristic Attributes	11-3
11.2.3	Counter Attributes	11-6
11.2.4	Identifier Attributes	11-7
11.2.5	Status Attributes	11-7
11.2.6	Exception Messages	11-7
11.3	frame port	11-9
11.3.1	Identifier Attributes	11-9
11.3.2	Status Attributes	11-9

12 HDLC Module

12.1	hdlc	12-2
12.1.1	Characteristic Attributes	12-2
12.2	hdlc link	12-3
12.2.1	Arguments	12-3
12.2.2	Characteristic Attributes	12-3
12.2.3	Counter Attributes	12-5
12.2.4	Identifier Attributes	12-6
12.2.5	Status Attributes	12-6
12.2.6	Event Messages	12-7
12.2.7	Exception Messages	12-7
12.3	hdlc link logical station	12-9
12.3.1	Commands	12-9
12.3.2	Counter Attributes	12-9
12.3.3	Identifier Attributes	12-11
12.3.4	Status Attributes	12-11

12.3.5	Event Messages	12-12
12.4	hdlc port	12-16
12.4.1	Identifier Attributes	12-16
12.4.2	Status Attributes	12-16

13 LAPB Module

13.1	lapb	13-2
13.1.1	Characteristic Attributes	13-2
13.2	lapb link	13-3
13.2.1	Arguments	13-3
13.2.2	Characteristic Attributes	13-3
13.2.3	Counter Attributes	13-4
13.2.4	Identifier Attributes	13-6
13.2.5	Status Attributes	13-6
13.2.6	Event Messages	13-7
13.2.7	Exception Messages	13-9
13.3	lapb port	13-10
13.3.1	Identifier Attributes	13-10
13.3.2	Status Attributes	13-10

14 LLC2 Module

14.1	llc2	14-2
14.1.1	Characteristic Attributes	14-2
14.2	llc2 port	14-3
14.2.1	Identifier Attributes	14-3
14.2.2	Status Attributes	14-3
14.3	llc2 sap	14-4
14.3.1	Characteristic Attributes	14-4
14.3.2	Counter Attributes	14-4
14.3.3	Identifier Attributes	14-4
14.3.4	Status Attributes	14-4
14.3.5	Event Messages	14-5
14.3.6	Exception Messages	14-5
14.4	llc2 sap link	14-6
14.4.1	Characteristic Attributes	14-6
14.4.2	Counter Attributes	14-7
14.4.3	Identifier Attributes	14-9
14.4.4	Status Attributes	14-9
14.4.5	Event Messages	14-9
14.4.6	Exception Messages	14-11

15 Loopback Application Module

15.1	loopback application	15-2
15.1.1	Commands	15-2
15.1.2	Characteristic Attributes	15-2
15.1.3	Exception Messages	15-3

16 Modem Connect Module

16.1	modem connect	16-2
16.1.1	Characteristic Attributes	16-2
16.2	modem connect data port	16-3
16.2.1	Identifier Attributes	16-3
16.2.2	Status Attributes	16-3
16.3	modem connect line	16-4
16.3.1	Commands	16-4
16.3.2	Arguments	16-4
16.3.3	Characteristic Attributes	16-5
16.3.4	Counter Attributes	16-9
16.3.5	Identifier Attributes	16-10
16.3.6	Status Attributes	16-10
16.3.7	Interchange Circuit Attributes	16-12
16.3.8	Event Messages	16-14
16.3.9	Exception Messages	16-16

17 MOP Module

17.1	mop	17-2
17.1.1	Characteristic Attributes	17-2
17.1.2	Status Attributes	17-2
17.1.3	Exception Messages	17-2
17.2	mop circuit	17-3
17.2.1	Commands	17-3
17.2.2	Arguments	17-4
17.2.3	Characteristic Attributes	17-4
17.2.4	Counter Attributes	17-4
17.2.5	Identifier Attributes	17-5
17.2.6	Status Attributes	17-5
17.2.7	Event Messages	17-5
17.2.8	Exception Messages	17-6
17.3	mop circuit operation	17-8
17.3.1	Identifier Attributes	17-8
17.3.2	Status Attributes	17-8
17.4	mop circuit station	17-9
17.4.1	Identifier Attributes	17-9
17.4.2	Status Attributes	17-9
17.5	mop client	17-11
17.5.1	Commands	17-11
17.5.2	Arguments	17-12
17.5.3	Characteristic Attributes	17-13
17.5.4	Identifier Attributes	17-16
17.5.5	Exception Messages	17-16

18 NSP Module

18.1	nsp	18-2
18.1.1	Characteristic Attributes	18-2
18.1.2	Status Attributes	18-4
18.1.3	Exception Messages	18-4
18.2	nsp local nsap	18-5
18.2.1	Counter Attributes	18-5
18.2.2	Identifier Attributes	18-5

18.2.3	Status Attributes	18-5
18.2.4	Event Messages	18-5
18.3	nsp local nsap remote nsap	18-6
18.3.1	Counter Attributes	18-6
18.3.2	Identifier Attributes	18-7
18.3.3	Status Attributes	18-7
18.3.4	Event Messages	18-7
18.4	nsp port	18-9
18.4.1	Counter Attributes	18-9
18.4.2	Identifier Attributes	18-10
18.4.3	Status Attributes	18-10

19 OSAK Module

19.1	osak	19-2
19.1.1	Commands	19-2
19.1.2	Characteristic Attributes	19-2
19.1.3	Counter Attributes	19-3
19.1.4	Status Attributes	19-4
19.1.5	Event Messages	19-4
19.1.6	Exception Messages	19-4
19.2	osak application	19-5
19.2.1	Characteristic Attributes	19-5
19.2.2	Counter Attributes	19-6
19.2.3	Identifier Attributes	19-6
19.2.4	Status Attributes	19-6
19.2.5	Event Messages	19-6
19.2.6	Exception Messages	19-6
19.3	osak application invocation	19-7
19.3.1	Characteristic Attributes (OpenVMS)	19-7
19.3.2	Counter Attributes	19-8
19.3.3	Identifier Attributes	19-8
19.3.4	Status Attributes	19-8
19.3.5	Exception Messages	19-9
19.4	osak port	19-10
19.4.1	Characteristic Attributes	19-10
19.4.2	Counter Attributes	19-10
19.4.3	Identifier Attributes	19-10
19.4.4	Status Attributes	19-10

20 OSI Transport Module

20.1	osi transport	20-6
20.1.1	Characteristic Attributes	20-6
20.1.2	Status Attributes	20-10
20.1.3	Exception Messages	20-10
20.1.4	X.25/CONS Configuration	20-10
20.1.5	RFC 1006 and RFC 1859 Configuration (OpenVMS)	20-11
20.2	osi transport application (OpenVMS)	20-12
20.2.1	Characteristic Attributes	20-12
20.2.2	Counter Attributes	20-12
20.2.3	Identifier Attributes	20-12
20.3	osi transport local nsap	20-13
20.3.1	Counter Attributes	20-13

20.3.2	Identifier Attributes	20-13
20.3.3	Status Attributes	20-13
20.3.4	Event Messages	20-14
20.4	osi transport local nsap remote nsap	20-15
20.4.1	Counter Attributes	20-15
20.4.2	Identifier Attributes	20-16
20.4.3	Status Attributes	20-17
20.4.4	Event Messages	20-17
20.5	osi transport port	20-19
20.5.1	Commands	20-19
20.5.2	Counter Attributes	20-19
20.5.3	Identifier Attributes	20-20
20.5.4	Status Attributes	20-20
20.6	osi transport template	20-26
20.6.1	Characteristic Attributes	20-26
20.6.2	Identifier Attributes	20-30
20.6.3	Exception Messages	20-30

21 Routing Module

21.1	Support for Attributes and Events	21-2
21.2	routing	21-3
21.2.1	Arguments	21-3
21.2.2	Characteristic Attributes	21-4
21.2.3	Counter Attributes	21-11
21.2.4	Preset Attributes	21-16
21.2.5	Status Attributes	21-19
21.2.6	Event Messages	21-21
21.2.7	Exception Messages	21-27
21.3	routing circuit	21-28
21.3.1	Arguments	21-28
21.3.2	Characteristic Attributes	21-28
21.3.3	Counter Attributes	21-36
21.3.4	Identifier Attributes	21-40
21.3.5	Status Attributes	21-41
21.3.6	Event Messages	21-42
21.3.7	Exception Messages	21-47
21.4	routing circuit adjacency	21-49
21.4.1	Arguments	21-49
21.4.2	Identifier Attributes	21-49
21.4.3	Status Attributes	21-49
21.4.4	Exception Messages	21-52
21.5	routing circuit ip address translation	21-53
21.5.1	Identifier Attributes	21-53
21.5.2	Status Attributes	21-53
21.6	routing circuit ip reachable address	21-54
21.6.1	Arguments	21-54
21.6.2	Characteristic Attributes	21-54
21.6.3	Identifier Attributes	21-55
21.6.4	Status Attributes	21-55
21.6.5	Exception Messages	21-55
21.7	routing circuit reachable address	21-57
21.7.1	Arguments	21-58
21.7.2	Characteristic Attributes	21-58

21.7.3	Identifier Attributes	21-61
21.7.4	Status Attributes	21-61
21.7.5	Exception Messages	21-61
21.8	routing destination area	21-62
21.8.1	Identifier Attributes	21-62
21.8.2	Status Attributes	21-62
21.9	routing destination cache (Tru64 UNIX)	21-63
21.9.1	Identifier Attributes	21-63
21.9.2	Status Attributes	21-63
21.10	routing destination node	21-64
21.10.1	Identifier Attributes	21-64
21.10.2	Status Attributes	21-64
21.11	routing egp group	21-65
21.11.1	Characteristic Attributes	21-65
21.11.2	Identifier Attributes	21-66
21.11.3	Status Attributes	21-66
21.11.4	Exception Messages	21-66
21.12	routing egp group egp neighbor	21-67
21.12.1	Arguments	21-67
21.12.2	Characteristic Attributes	21-67
21.12.3	Counter Attributes	21-68
21.12.4	Identifier Attributes	21-69
21.12.5	Status Attributes	21-69
21.12.6	Event Messages	21-70
21.12.7	Exception Messages	21-71
21.13	routing ip destination address	21-72
21.13.1	Identifier Attributes	21-72
21.13.2	Status Attributes	21-72
21.14	routing permitted neighbor	21-73
21.14.1	Characteristic Attributes	21-73
21.14.2	Identifier Attributes	21-73
21.14.3	Exception Messages	21-73
21.15	routing port	21-74
21.15.1	Counter Attributes	21-74
21.15.2	Identifier Attributes	21-75
21.15.3	Status Attributes	21-75

22 Session Control Module

22.1	session control	22-3
22.1.1	Commands	22-3
22.1.2	Characteristic Attributes	22-3
22.1.3	Counter Attributes	22-6
22.1.4	Status Attributes	22-6
22.1.5	Event Messages	22-6
22.1.6	Exception Messages	22-8
22.2	session control application	22-9
22.2.1	Characteristic Attributes	22-9
22.2.2	Counter Attributes	22-12
22.2.3	Identifier Attributes	22-12
22.2.4	Status Attributes	22-12
22.2.5	Exception Messages	22-12
22.3	session control backtranslation softlink	22-13
22.3.1	Commands	22-13

22.3.2	Counter Attributes	22-13
22.3.3	Identifier Attributes	22-13
22.3.4	Status Attributes	22-13
22.3.5	Event Messages	22-14
22.4	session control port	22-15
22.4.1	Counter Attributes	22-15
22.4.2	Identifier Attributes	22-15
22.4.3	Status Attributes	22-15
22.5	session control proxy (Tru64 UNIX)	22-18
22.5.1	Characteristic Attributes	22-18
22.5.2	Counter Attributes	22-18
22.5.3	Identifier Attributes	22-19
22.5.4	Status Attributes	22-19
22.5.5	Exception Messages	22-19
22.6	session control tower maintenance	22-20
22.6.1	Commands	22-20
22.6.2	Counter Attributes	22-20
22.6.3	Identifier Attributes	22-20
22.6.4	Status Attributes	22-20
22.6.5	Event Messages	22-21
22.7	session control transport service	22-22
22.7.1	Arguments	22-22
22.7.2	Counter Attributes	22-22
22.7.3	Identifier Attributes	22-22
22.7.4	Status Attributes	22-22
22.7.5	Exception Messages	22-23

23 Token Ring Module (Tru64 UNIX)

23.1	token ring	23-3
23.1.1	Characteristic Attributes	23-3
23.1.2	Exception Messages	23-3
23.2	token ring station	23-4
23.2.1	Arguments	23-4
23.2.2	Characteristic Attributes	23-4
23.2.3	Counter Attributes	23-5
23.2.4	Identifier Attributes	23-8
23.2.5	Status Attributes	23-8
23.2.6	Event Messages	23-10
23.2.7	Exception Messages	23-11
23.3	token ring port	23-12
23.3.1	Counter Attributes	23-12
23.3.2	Identifier Attributes	23-13
23.3.3	Status Attributes	23-13
23.4	source route	23-14
23.4.1	Commands	23-14
23.4.2	Counter Attributes	23-14
23.4.3	Identifier Attributes	23-14
23.4.4	Status Attributes	23-14
23.5	FA map	23-15
23.5.1	Characteristic Attributes	23-15
23.5.2	Counter Attributes	23-15
23.5.3	Identifier Attributes	23-15
23.5.4	Status Attributes	23-15

23.5.5	Exception Messages	23-15
--------	------------------------------	-------

24 X.25 Access Module

24.1	x25 access	24-2
24.1.1	Arguments	24-2
24.1.2	Characteristic Attributes	24-2
24.1.3	Counter Attributes	24-2
24.1.4	Status Attributes	24-3
24.1.5	Event Messages	24-3
24.2	x25 access application	24-8
24.2.1	Characteristic Attributes	24-8
24.2.2	Identifier Attributes	24-9
24.2.3	Status Attributes	24-9
24.2.4	Exception Messages	24-9
24.3	x25 access dte class	24-11
24.3.1	Arguments	24-11
24.3.2	Characteristic Attributes	24-11
24.3.3	Identifier Attributes	24-13
24.3.4	Status Attributes	24-14
24.3.5	Exception Messages	24-14
24.4	x25 access filter	24-15
24.4.1	Characteristic Attributes	24-15
24.4.2	Counter Attributes	24-17
24.4.3	Identifier Attributes	24-17
24.4.4	Status Attributes	24-17
24.5	x25 access port	24-18
24.5.1	Counter Attributes	24-18
24.5.2	Identifier Attributes	24-18
24.5.3	Status Attributes	24-18
24.6	x25 access reachable address	24-22
24.6.1	Arguments	24-22
24.6.2	Characteristic Attributes	24-22
24.6.3	Identifier Attributes	24-23
24.6.4	Exception Messages	24-23
24.7	x25 access security dte class	24-24
24.7.1	Identifier Attributes	24-24
24.7.2	Status Attributes	24-24
24.8	x25 access security dte class remote dte	24-25
24.8.1	Arguments	24-25
24.8.2	Characteristic Attributes	24-25
24.8.3	Counter Attributes	24-26
24.8.4	Identifier Attributes	24-26
24.8.5	Status Attributes	24-26
24.9	x25 access security filter	24-27
24.9.1	Characteristic Attributes	24-27
24.9.2	Identifier Attributes	24-27
24.9.3	Status Attributes	24-27
24.10	x25 access template	24-28
24.10.1	Characteristic Attributes	24-28
24.10.2	Identifier Attributes	24-31

25 X.25 Client Module (OpenVMS)

25.1	x25 client	25-2
25.1.1	Arguments	25-2
25.1.2	Characteristic Attributes	25-2
25.1.3	Counter Attributes	25-2
25.1.4	Status Attributes	25-3
25.1.5	Event Messages	25-3
25.1.6	Exception Messages	25-3

26 X.25 Protocol Module

26.1	x25 protocol	26-2
26.1.1	Characteristic Attributes	26-2
26.2	x25 protocol dte	26-3
26.2.1	Arguments	26-3
26.2.2	Characteristic Attributes	26-4
26.2.3	Counter Attributes	26-7
26.2.4	Identifier Attributes	26-8
26.2.5	Status Attributes	26-8
26.2.6	Event Messages	26-9
26.2.7	Exception Messages	26-13
26.3	x25 protocol dte pvc	26-14
26.3.1	Arguments	26-14
26.3.2	Characteristic Attributes	26-14
26.3.3	Counter Attributes	26-15
26.3.4	Identifier Attributes	26-15
26.3.5	Status Attributes	26-15
26.3.6	Event Messages	26-16
26.3.7	Exception Messages	26-16
26.4	x25 protocol group	26-17
26.4.1	Characteristic Attributes	26-17
26.4.2	Counter Attributes	26-18
26.4.3	Identifier Attributes	26-18
26.4.4	Status Attributes	26-18
26.4.5	Exception Messages	26-18

27 X.25 Relay Module

27.1	x25 relay	27-2
27.1.1	Arguments	27-2
27.1.2	Characteristic Attributes	27-2
27.2	x25 relay client	27-3
27.2.1	Characteristic Attributes	27-3
27.2.2	Counter Attributes	27-3
27.2.3	Identifier Attributes	27-4
27.2.4	Status Attributes	27-4
27.2.5	Event Messages	27-4
27.2.6	Exception Messages	27-6
27.3	x25 relay pvc	27-7
27.3.1	Arguments	27-7
27.3.2	Characteristic Attributes	27-7
27.3.3	Counter Attributes	27-8
27.3.4	Identifier Attributes	27-8
27.3.5	Status Attribute	27-8

27.3.6	Event Messages	27-8
27.3.7	Exceptions	27-9

28 X.25 Server Module

28.1	x25 server	28-2
28.1.1	Arguments	28-2
28.1.2	Characteristic Attributes	28-2
28.1.3	Counter Attributes	28-2
28.1.4	Status Attributes	28-3
28.1.5	Event Messages	28-3
28.1.6	Exceptions	28-3
28.2	x25 server client	28-4
28.2.1	Characteristic Attributes	28-4
28.2.2	Identifier Attributes	28-5
28.2.3	Status Attributes	28-5
28.2.4	Exception Messages	28-5
28.3	x25 server security nodes	28-6
28.3.1	Characteristic Attributes	28-6
28.3.2	Counter Attributes	28-6
28.3.3	Identifier Attributes	28-6
28.3.4	Status Attributes	28-6

29 XOT Module (OpenVMS I64 and OpenVMS Alpha)

29.1	xot	29-2
29.1.1	Characteristic Attributes	29-2
29.1.2	Status Attributes	29-2
29.2	xot sap	29-3
29.2.1	Characteristic Attributes	29-3
29.2.2	Counter Attributes	29-3
29.2.3	Identifier Attribute	29-4
29.2.4	Status Attributes	29-4
29.2.5	Event Messages	29-4
29.3	xot sap link	29-5
29.3.1	Characteristic Attributes	29-5
29.3.2	Counter Attributes	29-5
29.3.3	Identifier Attribute	29-6
29.3.4	Status Attributes	29-6
29.3.5	Event Messages	29-6

A Interpreting NCL Error Messages

A.1	How Errors Are Reported	A-1
A.2	NCL Error Messages for OpenVMS	A-1
A.3	NCL Exception Messages	A-8
A.3.1	Standard Format for NCL Exception Messages	A-8
A.3.2	Common NCL Exception Messages	A-9

B Common Data Types for NCL

B.1	Overview of Data Types	B-1
B.1.1	What Is a Data Type?	B-1
B.1.2	Kinds of Data Types	B-2
B.1.2.1	Base Data Types	B-2
B.1.2.2	Constructed Data Types	B-2
B.2	Data Types and Supported Operations	B-3
B.3	Definitions of Base Data Types	B-5
B.3.1	Boolean	B-5
B.3.2	Counters	B-5
B.3.3	DTE Address	B-5
B.3.4	Entity Name	B-6
B.3.5	EthernetProtocol	B-6
B.3.6	Filespec	B-6
B.3.7	Fullname	B-7
B.3.8	Hex-String	B-7
B.3.9	ID802	B-7
B.3.10	IEEE802SNAPPID (Protocol Identification)	B-8
B.3.11	Implementation and Component Name	B-8
B.3.12	Integer	B-8
B.3.13	Latin1String	B-8
B.3.14	Network Layer Addresses	B-9
B.3.15	Nodename	B-9
B.3.16	Null	B-9
B.3.17	Object-Identifier	B-9
B.3.18	Octet and Octet String	B-9
B.3.19	Phase4Address	B-10
B.3.20	Phase4Name	B-10
B.3.21	Presentation-Address	B-10
B.3.22	Simple-Name	B-12
B.3.23	Time Data Types	B-13
B.3.24	TransportSelector (TSEL)	B-13
B.3.25	UID	B-13
B.3.26	Version	B-14
B.3.27	Version-With-Edit	B-14
B.4	Definitions of Constructed Data Types	B-14
B.4.1	Bit-Set	B-14
B.4.2	End-User-Specification	B-14
B.4.3	Enumeration	B-15
B.4.4	Range	B-15
B.4.5	Record	B-15
B.4.6	Sequence of A-Type	B-15
B.4.7	Set of A-Type	B-16
B.4.8	Subranges of a Base	B-16
B.4.9	TowerSet	B-16
B.4.10	Variant Records	B-18

Index

Figures

2-1	The Node Global Entity in the DNA Entity Hierarchy	2-1
3-1	Hierarchy of Alias Module Entities	3-1
4-1	Hierarchy of CSMA-CD Module Entities	4-1
5-1	Hierarchy of DDCMP Module Entities	5-1
6-1	Hierarchy of Device Module Entities	6-1
7-1	Hierarchy of DNS Server Module Entities	7-1
7-2	Hierarchy of DNS Clerk Module Entities	7-2
8-1	Hierarchy of DECdts Module Entities	8-1
9-1	Hierarchy of Event Dispatcher Module Entities	9-1
10-1	Hierarchy of FDDI Module Entities	10-1
11-1	Hierarchy of Frame Module Entities	11-1
12-1	Hierarchy of HDLC Module Entities	12-1
13-1	Hierarchy of LAPB Module Entities	13-1
14-1	Hierarchy of LLC2 Module Entities	14-1
15-1	Hierarchy of Loopback Application Module Entities	15-1
16-1	Hierarchy of Modem Connect Module Entities	16-1
17-1	Hierarchy of MOP Module Entities	17-1
18-1	Hierarchy of NSP Module Entities	18-1
19-1	Hierarchy of OSAK Module Entities	19-1
20-1	Hierarchy of OSI Transport Module Entities	20-1
21-1	Hierarchy of Routing Module Entities	21-1
22-1	Hierarchy of Session Control Module Entities	22-1
23-1	Hierarchy of Token Ring Module Entities	23-1
24-1	Hierarchy of X.25 Access Module Entities	24-1
25-1	Hierarchy of X.25 Client Module Entities	25-1
26-1	Hierarchy of X.25 Protocol Module Entities	26-1
27-1	Hierarchy of X.25 Relay Module Entities	27-1
28-1	Hierarchy of X.25 Server Module Entities	28-1
29-1	Hierarchy of XOT Module Entities	29-1

Tables

1	DECnet-Plus for OpenVMS Documentation	xix
1-1	Relational Operators for a with Clause	1-13
16-1	Modem Connect Line Interchange Circuits	16-12
20-1	Functions of the OSI Transport Protocol Classes	20-2
20-2	Transport Protocols and Network Services	20-4
22-1	Data Abstraction Type Comparison	22-10
B-1	Data Types and Supported Operations	B-3
B-2	TowerSet Levels of Specification	B-17

Preface

This book describes the syntax and features of the Network Control Language (NCL), and the NCL commands that you use for network management modules.

Intended Audience

This book is written for network managers responsible for managing DECnet-Plus for OpenVMS networks. It also contains NCL syntax for management entities and management options supported by DECnet-Plus for Tru64 UNIX.

Document Structure

This book has two parts:

- Part I Provides an overview of the functions provided by NCL.
- Part II Describes the NCL commands and related information. There is a separate chapter for every NCL module and each chapter contains a comprehensive description of each entity belonging to that module.

Common data types, common exceptions, and NCL error messages are described in the appendixes.

Guide to Documentation

DECnet-Plus for OpenVMS documentation is available in two sets:

- Documentation set for DECnet-Plus for OpenVMS
- Supplemental X.25 for OpenVMS documentation set

Table 1 lists the documentation that supports this version of the DECnet-Plus for OpenVMS software.

Table 1 DECnet-Plus for OpenVMS Documentation

Document	Contents
DECnet-Plus for OpenVMS Documentation Set	
<i>DECnet-Plus for OpenVMS Introduction and User's Guide</i>	Describes the manuals in the documentation sets, outlines the DECnet-Plus for OpenVMS features and tools, explains how to use and manage an end system, and provides a comprehensive glossary of DECnet terminology.

(continued on next page)

Table 1 (Cont.) DECnet-Plus for OpenVMS Documentation

Document	Contents
DECnet-Plus for OpenVMS Documentation Set	
<i>HP DECnet-Plus for OpenVMS Release Notes</i>	<p>Describes changes to the software; installation, upgrade, and compatibility information; new and existing software problems and restrictions; and software and documentation corrections.</p> <p>Note: Print this file at the beginning of the installation procedure and read it before you install DECnet-Plus for OpenVMS.</p>
<i>DECnet-Plus Planning Guide</i>	<p>Provides configuration and planning guidelines, including namespace planning information, to help you transition a network from the DECnet Phase IV to DECnet Phase V architecture.</p>
<i>HP DECnet-Plus for OpenVMS Installation and Configuration</i>	<p>Explains how to install and configure the DECnet-Plus for OpenVMS software using the three configuration options (FAST, BASIC, and ADVANCED). Also explains how to modify an existing configuration.</p> <p>Explains how to configure the X.25 functionality included with the DECnet-Plus for OpenVMS VAX software (formerly provided by the VAX P.S.I. Access and VAX P.S.I. products).</p> <p>Explains how to install the separate X.25 for OpenVMS software product available for OpenVMS I64 and OpenVMS Alpha systems. For configuration information, see the <i>HP X.25 for OpenVMS Configuration</i> manual.</p> <p>Explains how to install and configure the optional OSI applications software components (OSI Applications Kernel (OSAK), OSI File Transfer, Access, and Management (FTAM), and OSI Virtual Terminal (VT)).</p>
<i>HP DECnet-Plus for OpenVMS Network Management</i>	<p>Provides in-depth information about how to monitor and manage DECnet-Plus for OpenVMS systems using various tools and Network Control Language (NCL) commands. Explains how to set up and use event dispatching and how to perform all day-to-day management tasks for the local DECnet-Plus for OpenVMS node, including setting up OpenVMS clusters, managing security, downtime loading, and monitoring the network.</p>
<i>DECnet-Plus for OpenVMS Network Management Quick Reference Guide</i>	<p>Provides quick-reference information about the tools that help you manage and monitor a DECnet-Plus network. Use this guide with the <i>HP DECnet-Plus for OpenVMS Network Management</i> manual.</p>

(continued on next page)

Table 1 (Cont.) DECnet-Plus for OpenVMS Documentation

Document	Contents
DECnet-Plus for OpenVMS Documentation Set	
<i>HP DECnet-Plus for OpenVMS Network Control Language Reference</i>	Outlines command descriptions and examples for all Network Control Language (NCL) commands that you execute to manage, monitor, and troubleshoot the network. Begins with an orientation chapter that contains information about how to execute NCL commands, followed by a command chapter for each module in the DECnet Phase V layered model.
<i>DECnet-Plus Problem Solving</i>	Explains how to isolate and solve DECnet problems in an OpenVMS environment that can occur while the network is in operation. Includes information about how to perform loopback tests and how to use the DTS/DTR utility to solve problems.
<i>HP DECnet-Plus for OpenVMS DECdns Management</i>	Explains HP DECnet-Plus Distributed Name Service (DECdns) concepts and how to manage a DECdns distributed namespace. Use this manual with the <i>DECnet-Plus Planning Guide</i> .
<i>HP DECnet-Plus for OpenVMS DECdts Management</i>	Introduces HP DECnet-Plus Distributed Time Service (DECdts) concepts and describes how to manage the software and system clocks.
<i>DECnet-Plus DECdts Programming</i>	Contains DECdts time routine reference information and describes the time-provider interface (TPI).
<i>DECnet-Plus OSAK Programming</i>	Explains how to use the OSAK (OSI Applications Kernel) interface to create OSI (Open Systems Interconnection) applications for any supported operating system.
<i>DECnet-Plus OSAK Programming Reference</i>	Provides reference information on using the OSAK interface to create OSI applications on any supported operating system.
<i>DECnet-Plus OSAK SPI Programming Reference</i>	Provides reference information about using the OSAK session programming interface (SPI) to create OSI applications on any supported operating system.
<i>DECnet-Plus FTAM and Virtual Terminal Use and Management</i>	Explains how to use and manage FTAM (File Transfer, Access, and Management) software for remote file transfer and management and VT (Virtual Terminal) for remote login to OSI-compliant systems.
<i>DECnet-Plus FTAM Programming</i>	Explains how to access the FTAM protocol through FTAM's API (application programming interface).

(continued on next page)

Table 1 (Cont.) DECnet-Plus for OpenVMS Documentation

Document	Contents
DECnet-Plus for OpenVMS Documentation Set	
<i>DECnet-Plus for OpenVMS Programming</i>	Contains information about how to design and write an application that follows a client/server model and uses the OpenVMS Interprocess Communication (\$IPC) system service and the transparent and nontransparent communication with the queue Input/Output (\$QIO) system service. Explains how to write programs using the OpenVMS system services to communicate with OSI transport services. Provides information about the Common Management Information Service (CMISE) API.
<i>DECnet/OSI for VMS CTF Use</i>	Explains how use the Common Trace Facility (CTF) troubleshooting tool to collect and analyze protocol data from networking software.
Supplemental X.25 Documentation Set	
<i>HP X.25 for OpenVMS Configuration</i>	Discusses how to configure X.25 for OpenVMS on an OpenVMS I64 or OpenVMS Alpha system. For information about how to configure the X.25 functionality on OpenVMS VAX systems, see the <i>HP DECnet-Plus for OpenVMS Installation and Configuration</i> manual.
<i>HP X.25 for OpenVMS Management Guide</i>	Explains how to manage and monitor an X.25 system using network tools.
<i>HP X.25 for OpenVMS Security Guide</i>	Explains the X.25 security model and the tasks required to set up and manage X25 security.
<i>HP X.25 for OpenVMS Problem Solving</i>	Provides guidance on how to solve problems that can occur while using an X.25 system.
<i>HP X.25 for OpenVMS Utilities</i>	Explains how to use and manage X.25 Mail and X.29 communications.
<i>HP X.25 for OpenVMS Accounting</i>	Explains how to use X.25 accounting to obtain performance records and information about how X.25 is being used.
<i>HP X.25 for OpenVMS Programming</i>	Explains how to write X.25 and X.29 programs to perform network operations.
<i>HP X.25 for OpenVMS Programming Reference</i>	Provides reference information for X.25 and X.29 programmers.
<i>DECnet/OSI for VMS VAX WANDD Programming</i>	Provides information about using the programming interface for the WANDD devices.

Reader's Comments

HP welcomes your comments on this manual or any of the DECnet-Plus documents. Please send comments to either of the following addresses:

Internet	openvmsdoc@hp.com
Mail	Hewlett-Packard Company OSSG Documentation Group, ZKO3-4/U08 110 Spit Brook Rd. Nashua, NH 03062-2698

How To Order Additional Documentation

For information about how to order additional documentation and for online versions of DECnet-Plus documentation, visit the following World Wide Web address:

<http://www.hp.com/go/openvms/doc/>

Terminology

An *adjacent node* is a node connected to the local node by a single physical line.

These terms are used interchangeably:

- Transition and migration
- Phase IV and DECnet Phase IV
- Phase V and DECnet Phase V
- End system and end node
- Intermediate system and router
- Running database and operational database
- Sink node and logging node

Conventions

The following conventions apply to this book.

Convention	Meaning
special type	Indicates a literal example of system output or user input. In text, indicates command names, keywords, node names, file names, directories, utilities, and tools. You can abbreviate command keywords to the smallest number of characters that OpenVMS, NCL, DECdns, DECdts, and the other utilities accept, usually three characters.
<i>italic</i>	Indicates a variable.
text style	Indicates a new term defined either in the text or in the <i>DECnet-Plus Introduction and User's Guide</i> glossary.
Return	Indicates that you press the Return key.
Ctrl/x	Indicates that you press the Control key while you press the key noted by <i>x</i> .
[]	In command format descriptions, indicates optional elements. You can enter one, none, or all of the options.

Convention	Meaning
{ }	In command format descriptions, indicates you must enter at least one listed element.
	In command format descriptions, separates choices within brackets or braces.

Acronyms

The following acronyms are used throughout this book:

ACSE	Association Control Service Element
ASE	application service element
ASN.1	Abstract Syntax Notation One
BER	basic encoding rules
CMIP	Common Management Information Protocol
CML	CMIP Management Listener
DAP	Data Access Protocol
DCS	defined context set
DDCMP	DIGITAL Data Communications Message Protocol
DECdns	HP DECnet-Plus Distributed Name Service
DECdts	HP DECnet-Plus Distributed Time Service
DNA	DIGITAL Network Architecture
DTR	DECnet Test Receiver
DTS	DECnet Test Sender
ES-IS	end system to intermediate system protocol
EVD	Event Dispatcher
EVL	event logger
FAL	file access listener
FTAM	File Transfer, Access, and Management
HDLC	High-Level Data Link Control
IS-IS	intermediate system to intermediate system protocol
MIR	loopback mirror
MOP	Maintenance Operations Protocol
NSAP	network service access point
NCL	Network Control Language
NSP	Network Services Protocol
OSI	Open Systems Interconnection
OSUL	Open Systems Upper Layer
PCI	protocol control information
PDU	protocol data unit
PPCI	presentation protocol control information
PSDN	packet switching data network
SPCI	Session Protocol Control Information
SPDU	session protocol data unit

SSDU	session service data unit
TCP/IP	Transmission Control Protocol/Internet Protocol
TPDU	transport protocol data unit
TSDU	transport service data unit
XOT	X.25 over TCP/IP

Part I

NCL Overview

Introduction to NCL

This reference guide describes how to use the Network Control Language (NCL) command line interface. You should be familiar with the concepts and terminology of the entity model of network management, as described in the *HP DECnet-Plus for OpenVMS Network Management* manual.

This chapter tells you how to use NCL in the following ways:

- Invoke, use, and exit the Network Control Language
- Issue NCL commands from your terminal
- Define common data types for NCL
- Interpret NCL error messages

1.1 Rights Identifiers Required for Use of NCL

DECnet-Plus for OpenVMS uses OpenVMS rights identifiers to check access on all manageable entities. This differs from the Phase IV software, which used OpenVMS privileges for access to the permanent database and for write access. Read access to the volatile database in Phase IV was unprotected.

1.1.1 Access to Local Network Data

In DECnet-Plus for OpenVMS, the rights identifier NET\$EXAMINE grants a user read access to the network configuration data. The NET\$MANAGE rights identifier grants read and write access to the network configuration data, and NET\$SECURITY grants ability to set default accounts. These new rights allow the network manager to restrict access to network parameters. Access is granted to an individual user by means of the Authorize utility on OpenVMS. The following command examples grant access:

```
UAF> grant/id net$examine Joe ! Grant user Joe read access to local network data
```

```
UAF> grant/id net$manage Joe ! Grant user Joe read/write access to local network data
```

```
UAF> grant/id net$security Joe ! Grant user Joe ability to set default accounts
```

In lieu of NET\$MANAGE rights, the BYPASS privilege grants read and write access.

When issuing NCL commands to the local node (for example, `ncl show all` or `ncl show node 0 all`), the rights of the executing process determine whether access is granted.

Introduction to NCL

1.1 Rights Identifiers Required for Use of NCL

1.1.2 Access to Remote Network Data

When issuing NCL commands to the remote node (for example, `ncl show node remote-node-name all` or `ncl set ncl default entity node remote-node-name`, a connection is established to the CML application on the remote node. Access checks performed on the remote node are dependent on the account the remote CML application is running in (on an OpenVMS node). When the connection comes into an OpenVMS machine, a process is created to run the CML application. The account used is determined in the following order:

1. If explicit access control is specified, the specified account is used.
2. If there is a default account for the application receiving the request, it is used.
3. If a proxy account is specified, or there is a default proxy account for the remote user, it is used.
4. If none of the above are specified, the session entity is checked for a default nonprivileged account to use.

If the account that runs the CML application does not have the `NET$EXAMINE` for read access, or `NET$MANAGE` identifier for read and write access, then the access is denied by the management agent.

The manager of the remote node must take explicit action to allow an individual user access to the network configuration information. For example:

- Run the Authorize utility and grant an account the proper rights
- Run Authorize and create a proxy account and grant the proxy account the proper rights
- Determine the user name associated with the `SESSION CONTROL APPLICATION CML`. Run the Authorize utility to ensure that that account has `NET$EXAMINE` for read-only access.

The last option is one of the selections offered by `NET$CONFIGURE` when configuring the application database. If you select a default account for the CML application, `NET$CONFIGURE` grants `NET$EXAMINE` right to that account by default.

1.2 Network Management Graphical User Interface

You can access NCL through either a command line interface or graphical user interface (GUI). The GUI allows network managers to view the status of network components and control those components from a Motif-based window interface. The GUI interface is located at `sys$system:net$mgmt.exe` (`NET$MGMT`).

This utility provides a hierarchical graphical approach to the management of DECnet-Plus. The manageable components of DECnet-Plus (modules, entities, and subentities) are represented in a tree-like structure below the icon that represents the node you are managing. This provides an easy way to familiarize yourself with the organization of these manageable entities. If you choose to enable the displaying of NCL commands from the Default Actions pull-down menu, this utility can also help familiarize you with NCL syntax.

In addition to issuing NCL commands on your behalf, NCL GUI can also perform task-oriented functions that involve many NCL commands or are complex in some way. The currently supported NCL GUI tasks are:

```
show known links
```

```
show known node counters
check transports
```

The same rights required to run NCL are also required to run this utility.

For further information, refer to the *HP DECnet-Plus for OpenVMS Network Management* manual.

1.3 Getting Started with NCL

You can issue NCL commands from a terminal or from a command file. You can use NCL to manage network entities on local and remote nodes. If you are familiar with Phase IV network management and the Network Control Program (NCP), you can use the `decnet_migrate` utility as an option to map NCP commands to their NCL equivalents. See the *HP DECnet-Plus for OpenVMS Network Management* manual for further details.

1.3.1 Invoking NCL

There are several methods of invoking the interactive NCL utility:

1. Type `run sys$system:ncl` at the DCL prompt `$`:

```
$ run sys$system:ncl
ncl>
```

2. Define a symbol at the DCL prompt (or insert the symbol in your LOGIN.COM file) and then type NCL at the DCL prompt as follows:

```
$ ncl ::= $ sys$system:ncl
$ ncl
ncl>
```

3. Enter an NCL command line.

```
$ ncl any ncl command
```

The system executes the command and returns you to the `$` prompt.

Note

The third method works only if you define a symbol at the DCL prompt or insert the symbol in your LOGIN.COM file.

4. Enter MCR at the DCL prompt:

```
$ mcr ncl
ncl>
```

5. Enter an MCR command:

```
$ mcr ncl any ncl command
$
```

The `ncl>` prompt indicates that you are using the NCL utility. When you receive this prompt, you can enter NCL commands.

Other NCL operations include:

- To abort an NCL operation, press `Ctrl/C` or `Ctrl/Y`.

Introduction to NCL

1.3 Getting Started with NCL

- To continue a long command to the next line, use a hyphen as the last character in the line. Place the continuation hyphen between attributes in a list. The `_ncl>` prompt is displayed on continuation lines:

```
ncl> show node 0 osi transport delay factor, delay weight,-
_ncl> maximum receive buffers, maximum network connections,-
_ncl> maximum remote nsaps
```

- To indicate comments that are not to be read by the system, use an exclamation point (!) anywhere in a command line.
- To exit from NCL, type `exit` or press `Ctrl/Z` at the `ncl>` prompt.

1.3.2 Accessing Online NCL Help Information

When you enter `Help`, you enter a standard help library containing descriptions of the network management entities and their attributes. NCL online help is a quick reference in addition to this book.

To access online NCL Help, type `help` at the `ncl>` prompt. A list of available topics immediately appears, for example:

```
ncl> help or ?
```

```
Information available:
```

add	advertise	block	boot	change	clear	connect
create	define_(Tru64_UNIX)		delete	Directory_Module		disable
disconnect	dump	echo	enable	Entity_Hierarchy		
Event_Messages		flush_(OpenVMS)		getnif	getsif	ignore
limit	load	loop	NCL_Introduction		Network_Management	
pass	ping_(IP_Routers)		Please_Read_Me		query	
read_(Tru64_UNIX)		remove	rename	reset	restrict	set
show	shut	shutdown	snapshot	SNA_Peer_Server_Module		
start	startloop	stop	stoploop	synchronize		test
testevent	undefine_(Tru64_UNIX)	unlimit	update	zero		

```
Topic?
```

The NCL entities are listed by verb, event message, module description, and data type. You must type in the topic name exactly as you see it. For example, to find the syntax for adding an X25 Relay Client subentity, you would do as follows:

```
Topic? add
```

```
ADD
```

```
Additional information available:
```

modem_connect	mop	osi_transport	routing
session_control	x25_access	x25_protocol	x25_relay
x25_server			

```
ADD Subtopic?
```

At this prompt you type `x25_relay`:

```
ADD Subtopic? x25_relay
```

```
ADD
```

```
x25_relay
```

```
Additional information available:
```

```
client    pvc
```

```
ADD x25_relay Subtopic?
```


Introduction to NCL

1.3 Getting Started with NCL

At this prompt you type client:

```
ADD x25_relay Subtopic? client
ADD
  x25_relay
    client
      add [node node-id] x25 relay client client-name
        filters
        rights identifiers
      Additional information available:
        Characteristics      Identifiers
ADD x25_relay client Subtopic?
```

Continue down the hierarchy exactly as it appears in the syntax section of each entity module, as illustrated in Part 2 of this book.

NCL help includes several non-verb help topics that provide additional information about using NCL. The following display shows these help topics and their subtopics:

```
Entity_Hierarchy
  Additional information available:
    Node      DNS_Clerk  DNS_Server  DSA      DTSS      Event_Dispatcher
    Alias_(OpenVMS)  Session_Control  OSAK      NSP
    OSI_Transport  Routing  X25_Protocol  X25_Access
    X25_Client_(OpenVMS)  X25_Relay_(Alpha)  X25_Server  XOT_(OpenVMS_Alpha)
    LAPB      CSMA-CD  LLC2      MOP      HDLC      DDCMP_(OpenVMS_VAX)
    FDDI      Modem_Connect  Device  Frame_(OpenVMS)
    Token_Ring_(Tru64_UNIX)  Loopback_Application

Event_Messages
  Additional information available:
    csma-cd_station  ddcmp_link_(OpenVMS_VAX)  device_unit
    dtss      event_dispatcher  fddi_station  hdlc_link  lapb_link
    llc2_sap  modem_connect_line  mop_circuit  node  nsp
    osak      osi_transport  routing  session_control
    token_ring_(Tru64_UNIX)  x25_access  x25_client_(OpenVMS)
    x25_protocol  x25_relay_(Alpha)  x25_server  xot_(OpenVMS_Alpha)

NCL_Introduction
  Additional information available:
    Invoking_NCL      Creating_Logs      Common_Commands
    Abbreviation_of_Commands  Syntax  Recalling_Commands  Output
    Specifying_Access_Control  Default_Context  Using_Snapshot
    Customizing_NCL

Network_Management
  Additional information available:
    Access_Control      Naming_Service_Management
    Remote_Node_Management  Logical_Names_(OpenVMS)
    Startup_Scripts_(OpenVMS)  Shutdown_and_Restart_(OpenVMS)
    MOP_(OpenVMS)  Event_Dispatcher_(OpenVMS)  Running_Over_TCP-IP
    Tools

Please_Read_Me
  Additional information available:
    Using_NCL_Help      Overview_of_NCL_Help  Entity_Organization
    Managing_Entities_Using_NCL
```

Introduction to NCL

1.3 Getting Started with NCL

A DECnet-Plus help topic has been added to the DCL help library. To invoke the help, enter the following command:

```
$ help decnet-plus
```

1.3.3 Creating Log Files

To keep a record of the commands entered during an NCL session, use the NCL logging facility.

All information printed out in an NCL session is stored in the log file after logging is enabled. This information includes commands, output, and error messages. All information except the commands are preceded in the file by a comment symbol, so this file can be used as an NCL script in another session.

Use the `set ncl logfile` and `enable ncl logging` commands to begin NCL logging. For example:

```
ncl> set ncl logfile filename.ncl
ncl> enable ncl logging
ncl> show node 0 session control application fal all attributes
.
.
.
```

After saving the NCL commands to a log file, use the NCL log file as an indirect command file to be invoked (during subsequent NCL sessions) with the `do control` verb or the at sign (@) symbol.

For example:

```
ncl> enable node 0 session control
ncl> do setup_applications.ncl
.
.
.
```

To display the name of the log file, enter `show ncl logfile`. The default file extension for an NCL log file is `.ncl`. The utility returns an error message if a log file does not exist.

Use the `disable ncl logging` command at any time to turn off NCL logging or to exit NCL.

You can execute commands saved in an NCL log file during subsequent NCL utility sessions. However, you must ensure that the proper context for the commands in the log file has been established. Check the contents of an NCL log file before running it in later utility sessions.

1.3.4 Connecting to a Remote Node by Address

Under normal conditions, you can identify the remote node by name in the NCL command. However, if the name service is interrupted or unavailable, you can still reach remote nodes to perform management functions. You can use either the remote node's Phase IV address (if the remote node is configured to have one), or the remote node's network services access point (NSAP). Refer to the "Understanding and Creating NSAP Addresses" chapter in the *DECnet-Plus Planning Guide* for the correct NSAP format to use.

For example, the following commands all perform the same function:

```
ncl> show node 12.5 routing circuit syn-0-0
```

```
ncl> show node net$49000CAA000400053020 routing circuit syn-0-0
```

1.4 Common NCL Commands

The following sections briefly describe a set of NCL commands supported by most network management entities:

```
add and remove  
create and delete  
disable and enable  
set  
show
```

These commands have the same effect on any entity to which they are applied; they are described here to prevent unnecessary repetition throughout the book.

In addition to these NCL commands, there are a number of commands that apply only to specific entities; for example, the `rename` command for the Node entity, or the `dump` and `load` commands for the Device Unit entity.

1.4.1 add and remove

Some characteristic attributes have a value that consists of a set of values. Use the `add` command to add one or more new values to a set value:

```
ncl> add node 0 osi transport cons filters {filter_2,filter_3}
```

This command line adds two new values, `filter_2` and `filter_3`, to the set of values represented by the `cons filters` characteristic of the OSI Transport entity. The values are enclosed in `{ }`, and if more than one value is to be added in the same command, each value is separated from the previous value by a comma.

To specify the empty set (that is, a set with no values), specify `{ }` as the value.

Similarly, use the `remove` command to remove one or more values from a set value:

```
ncl> remove node 0 osi transport cons filters {filter_3}
```

This command line removes the value `filter_3` from the set.

Use the `add` and `remove` commands only on characteristics with set values (as indicated in the description of the characteristic).

You can also use the `set` command to change the values of a set-valued characteristic. However, the `set` command replaces the current contents of the set with the values you specified.

1.4.2 create and delete

Use the `create` command to create a new instance of an entity. Most entities support the `create` command; however, some entities are created automatically by software, and so do not support the `create` command. For example, entities that correspond to communications links are usually created dynamically as these links are opened.

Use the `delete` command to delete an instance of an entity. As with `create`, most entities support the `delete` command; however, some entities are deleted automatically by software, and so do not support the `delete` command. For example, entities that correspond to communications links are usually deleted dynamically as these links are closed. You cannot delete an entity if it has child

Introduction to NCL

1.4 Common NCL Commands

entities; you must delete all child entities before you can delete the parent entity. It is usually, though not always, the case that you must disable an entity before you can delete it.

1.4.3 disable and enable

Many entities have a status attribute called `state`, whose value reflects the current operational state of the entity. The value of `state` is usually either:

`off` The entity is disabled. In this state, the entity exists and can be manipulated in various ways (for example, by having its characteristics modified), but will not perform its primary functions.

`on` The entity is enabled. In this state, the entity is fully operational.

Use the `disable` command to place the entity in its disabled (`off`) state. Many entities do not permit you to modify their characteristics while they are enabled, so you must use the `disable` command before using the `add`, `remove`, or `set` commands. Also, it is often the case that you cannot delete an entity while it is enabled, so you must use the `disable` command before using the `delete` command:

```
ncl> disable modem connect line line-1
```

This command line disables the entity to suspend its operation temporarily and suspends operation of the corresponding physical line.

Use the `enable` command to place the entity in its enabled (`on`) state. Most entities do not become operational immediately when you create them; you must use the `enable` command after the `create` command. If you disable an entity to modify its characteristics or to suspend its operation for a time, you must use the `enable` command to make the entity operational again.

1.4.4 set

Use the `set` command to modify one or more attributes of an entity:

```
ncl> set node 0 osi transport delay factor=6,delay weight=10
```

This command line modifies two characteristics of the OSI Transport entity. If you specify more than one characteristic in a `set` command, use a comma to separate each characteristic and its value.

If you specify a characteristic name, but no value, the characteristic is set to its default value. The following example sets `delay factor` to its default value, 4:

```
ncl> set node 0 osi transport delay factor
```

Use `set` to give a value to a characteristic whose value is a set, for example:

```
ncl> set node 0 osi transport cons filters={filter_2,filter_3}
```

However, note the difference between this command and the following command:

```
ncl> add node 0 osi transport cons filters={filter_2,filter_3}
```

The `set` command gives the `cons filters` characteristic a set value with two components: `filter_2` and `filter_3`; if the set previously had other values, these are lost. The `add` command, on the other hand, adds the values `filter_2` and `filter_3` to whatever values the characteristic already has; any other current values are retained.

To specify the empty set (that is, a set with no values), specify `{ }` as the value.

You can change the set of attributes called characteristics only by direct management commands and not by the system or indirect commands. For example, you can change characteristics by the `set` command, but not by the `create` or `enable` commands. However, some characteristics are read-only and never change. Each entity section gives complete information about the entity's characteristics, if any, and explains if and how they are modified.

Sequences, sets, and similar constructed data types must be explicitly stated in a `set` command.

There are certain restrictions on the use of `set` to modify characteristics:

- Some characteristics can be modified only while the entity is disabled.
- A few characteristics can be modified only while the entity is disabled, and can then have only their value increased, not decreased.

1.4.5 `show`

You use the `show` command to display the value of one or more attributes of an entity. The general form of a `show` command is:

```
ncl> show entity-name attribute-specifier,...
```

An *attribute-specifier* can be the name of a particular attribute; for example:

```
ncl> show node 0 ddcmp link link-5 protocol,transmit underruns,state
```

This command line displays the following attributes of the entity `ddcmp link link-5`:

- The characteristic `protocol`
- The counter `transmit underruns`
- The status `state`

An *attribute-specifier* can also specify an entire class of attributes, as follows:

- `all [attributes]`
- `all characteristics`
- `all counters`
- `all identifiers`
- `all status`

The following example displays all counters and status attributes of the entity `ddcmp link link-5`:

```
ncl> show node 0 ddcmp link link-5 all counters,all status
```

You can combine individual attribute names and attribute class names; for example:

```
ncl> show node 0 ddcmp link link-5 protocol,all counters
```

This example displays the value of the characteristic `protocol` and the value of all counters.

There are a few attributes whose value cannot be displayed. These are usually attributes that represent secure information, such as passwords.

Introduction to NCL

1.5 NCL Command Syntax

1.5 NCL Command Syntax

An NCL command can contain the following elements, in the order shown:

```
verb [entity name] [,argument/attribute] [,prep-phrase]
```

The following example demonstrates this:

```
ncl> show node .mass.boston.welder routing circuit ethernet-1 -  
_ncl> all status,by user=harry, password=truman
```

This command shows the current values for all status attributes for routing circuit Ethernet-1 on node .mass.boston.welder with access control information supplied. The components of this command are:

- Verb (or directive): show
- Entity name: node .mass.boston.welder routing circuit ethernet-1, where:
 - node is the global entity class
 - .mass.boston.welder is the instance name for class node
 - routing identifies the module to which this entity belongs
 - circuit is the entity class
 - ethernet-1 is the instance name for class circuit. The entity name reflects the full naming hierarchy for the entity.
- all status, an attribute specifier
- by (preceded by a comma), a prepositional phrase
- user=harry, password=truman, user name and password used for access control on the remote node

A comma must separate more than one attribute or argument and must always precede a preposition. For example:

```
ncl> show node moosie session control port * all status, all counters, with -  
_ncl> direction = outgoing
```

If the command is directed to the local system, it is not necessary to include the node entity's class/instance in the command. For example, the following command creates the specified entity on the local node:

```
ncl> create routing type csma-cd
```

1.5.1 Verbs

NCL commands form three broad categories:

- Control commands (such as set ncl default, exit, help) enable the user to perform certain tasks within the NCL utility environment. These commands perform no network management functions.
- Database commands (such as show, set, add, remove) modify or display characteristics for existing entities, but may not immediately affect the network configuration or operation.
- Action commands (such as create, delete, enable, disable) have an immediate impact on the operation of the network, often causing a state change to an entity. There are many entity-specific action commands (see the individual entity description sections for details). Any command that is

not a control command or a database command is an action command. For example:

```
ncl> disable routing circuit circuit-1
```

This command line sets that circuit's state to off, and causes an event to be logged to indicate this change.

1.5.2 Entity Name

Entities are specified by their full name in the entity hierarchy and consist of one or more class/instance pairs. For example, the `routing circuit reachable address` entity is one of the subentities that comprises the Routing module. The `reachable address` entity is subordinate to the `routing circuit` entity, which is subordinate to the top-level `routing` entity in the Routing module. An example of the entity's full name is:

```
node 0 routing circuit ether-1 reachable address foo
```

Node 0 is a class/instance pair for the global Node entity. Node 0 is a designation for the local system and is the default value for NCL commands. The "node node-name" element in an NCL command is thus not required when the operation to be performed is for an entity on the local system.

1.5.3 Attribute Specifiers

Certain NCL commands, such as `show`, can include one or more attribute specifiers. The following sections describe the five basic attribute specifiers.

1.5.3.1 Attribute Groups

You can specify one or several attribute groups, separated by commas, in a `show` command. If you specify `all`, this is equivalent to specifying all the attribute groups that are legal for a command.

NCL and the CMIP Management Listener (CML) do not support entity-specific attribute groups. The common attribute group names are:

- all [attributes]
- all characteristics
- all counters
- all identifiers (default)
- all status

See the individual `show` command descriptions to see which attribute groups are legal for each command.

1.5.3.2 Characteristics

Characteristics describe the operating parameters of an entity as they are currently defined. You can modify the value of some characteristics by using the `set`, `add`, or `remove` command. Some characteristics have read-only values; their values are set by software and cannot be altered.

Each entity section gives complete information about that entity's characteristics, if any, and explains if and how they can be modified.

Introduction to NCL

1.5 NCL Command Syntax

1.5.3.3 Counters

Counters record the number of times the entity performed a particular operation or the number of times a certain condition or event has occurred since the entity was created. In some cases, a counter counts the number of times a similarly named event has occurred. Counter values are maintained dynamically by the system and cannot be reset by the system manager.

1.5.3.4 Identifiers

In most cases, an entity has one identifier: the simple name that is assigned to it when it is created. This identifier is a unique instance name within the entity class and cannot be modified except by deleting the current entity and recreating it with a new name. See specific entity description sections for more information on entities that have multiple identifiers.

1.5.3.5 Status Attributes

Status attributes record current conditions of the entity, such as its state. Usually status attributes are set dynamically by the system to reflect current conditions set up by different operations. You can display current status values, but you cannot directly modify them. However, certain network management actions (such as enabling or disabling an entity) may alter the values of status attributes.

1.5.4 Arguments

Certain NCL commands have required or optional arguments. Arguments can indicate values to be set, data to be operated on, or instructions for performing a specified task.

1.5.5 Prepositional Phrases

Most NCL commands accept two types of prepositional phrases:

- Use "*by phrase*" to specify an access control string for remote system management.
- Use "*with qualifying-phrase*" to limit the action of an NCL command to those entities that match the qualifying condition.

You can specify one or both prepositional phrases in any NCL command that accepts them. Separate the prepositional phrases by a comma. See individual command descriptions to determine which commands support the use of prepositional phrases.

1.5.5.1 Qualifying NCL Commands

Use the *with* prepositional phrase to qualify an NCL command to limit the scope of its operation. Also called *filtering*, this process is useful in displaying or acting upon only certain information. The expression supplied as part of the *with* clause must be an attribute of the entity (or entities) specified in the command.

```
ncl> show node 0 session control application *, with maximum instances>0
```

For every session control application entity on node 0 (the local system), NCL finds the entities with maximum instances greater than zero, and returns the identifying information about those session control application entities.

The *with* prepositional phrase is a Boolean expression that can use the relational operators shown in Table 1-1.

Table 1–1 Relational Operators for a with Clause

Symbol	Meaning
=	Equals
<>	Not equals
<	Less than
<=	Less than or equal to
>	Greater than
>=	Greater than or equal to

1.5.5.2 Restrictions of With Clause

It is possible (but improbable) for the value of an attribute to change between the time the attribute value is tested against the with clause value and the time the directive is actually issued to the entity. This limitation can lead to cases such as the following:

```
ncl> show 0 session control port *, with send queue > 0
Node 0 Session Control Port %XCC354000
AT 1991-11-13-16:32:03.249-05:00I0.269
Status
    Send Queue = 0
```

In this case, the attribute briefly goes non-zero, then immediately returns to zero again. Unfortunately, the attribute changed value between the time it was sampled by the entity filtering software in the CML and the time that the Show directive was issued to that entity instance. This is generally not a problem. Most attributes are stable so this rarely happens.

1.5.6 Using Abbreviations

All NCL commands are made up of the same components: keywords, values, and punctuation. Keywords and punctuation are the parts of the NCL syntax that remain the same for every network; values are the parts that change depending on the particular configuration of a network. Values include entity instance identifiers and attribute/argument values. In general, you cannot abbreviate values, but you can abbreviate keywords as long as the abbreviation is unique. A misspelling may cause NCL to treat an entity name as if it were an attribute name. However, if spelled correctly, it recognizes multiword keywords.

For example, the following command lines are equivalent:

```
ncl> show node finance routing circuit *
ncl> sho no finance ro ci *
```

The node identifier, in this case, *finance*, cannot be abbreviated. In fact, identifiers anywhere in a command cannot be abbreviated. For example, the following two commands are not equivalent:

```
ncl> show node finance name
ncl> show node f name
```

The latter command tries to communicate with node *f*, not node *finance*.

The following example shows an ambiguous command line:

```
ncl> s n finance r c * probe rate
```

Introduction to NCL

1.5 NCL Command Syntax

The command is ambiguous because the abbreviation `s` could stand for either the `set` or `show` command.

However, if the value itself consists of keywords, then it can be abbreviated. For example, the data type `EntityClass`, by definition, contains keywords representing the various entity class names. These keywords can be abbreviated in the same way as normal keywords, as long as the abbreviations are unique (unambiguous). See Appendix B for more information on data types and keywords.

As another example, note that the following two commands are equivalent. Both pass all events received by the event dispatcher from the routing entity.

```
ncl> pass ev d out s local_stream gl f ((r), all)
ncl> pass event dispatcher outbound stream local_stream global filter -
_ncl> (( routing ), all)
```

1.5.7 Specifying Full Names in an NCL Request

You can substitute an unqualified name for a full name in an NCL command only when the remote node specified in the command and the local node use the same primary naming service and their full names are identical except for the unqualified names themselves.

Consider the following cases:

	LOCAL NODE	REMOTE NODE
Full name:	ns:.lkg.localnode	ns:.lkg.remotenode
Unqualified name:	localnode	remotenode
Synonym:	locnod	remnod
Full name:	local:.localnode	local:.remotenode
Unqualified name:	localnode	remotenode
Synonym:	locnod	remnod

In these cases, you can substitute the unqualified name for the full name in the NCL command:

```
ncl> set event dispatcher outbound stream ost_1 sink node remotenode
```

This next example, however, is different:

	LOCAL NODE	REMOTE NODE
Full name:	ns:.uct.localnode	ns:.lkg.remotenode
Unqualified name:	localnode	remotenode
Synonym:	locnod	remnod
Full name:	ns:.localnode	local:.remotenode
Unqualified name:	localnode	remotenode
Synonym:	locnod	remnod
Full name:	local:.uct.localnode	local:.remotenode
Unqualified name:	localnode	remotenode
Synonym:	locnod	remnod

In this example, you must specify the full name for the remote node in the NCL command:

```
ncl> set event dispatcher outbound stream ost_1 -
_ncl> sink node ns:.lkg.remotenode
```

On a Tru64 UNIX system, you must specify the following:

```
ncl> set session control proxy dth source end user = -  
_ncl> { [ node=local:.remotenode , end user=uic=[0,0]dan ] }
```

You cannot substitute the node synonym for a full name in the NCL command. However, in most cases, because the unqualified name and the node synonym are usually identical, it may appear that the synonym substitution was successful.

1.5.8 Specifying Hex Strings

You must use the %X format to specify hex strings in NCL foreign commands. You can issue commands using the %H format for hex strings only at the ncl> prompt.

1.5.9 Using Wildcard Characters in a Command

Using an asterisk (*) as a wildcard character in an NCL command is helpful when the target of a command, particularly a show command, is not easily identifiable. The asterisk wildcard represents one or more characters. You can also use a question mark (?) as a wildcard. This represents a single character, and can only be used in certain data types, such as simplename.

The rules for using wildcard characters are as follows:

- Use wildcards only within an entity name (the class name or the instance name) in an NCL command. Do not use wildcards within NCL verbs, attributes, or prepositional phrases. In addition, do not use wildcards in attribute values unless the use of wildcards is explicitly called out in the attribute description.
- In all cases, wildcard characters can appear only in the *last class name* or *last instance value*. You cannot use a wildcard for the global entity node name. All NCL commands that affect entities include at least two class/instance pairs (the first being "node node-name" even if it is not specified). For example:

```
ncl> show node 0 routing circuit * all status  
ncl> show node 0 session control application tp?_appl  
ncl> show node 0 session control application ma* all attributes
```

The first command requests a list of all status information about all defined circuits. The second command requests a listing of all applications that begin with tp and end with _appl and have only one character between tp and _appl. The third command asks for information about all applications that start with ma and end with any combination of characters.

- Do not use wildcard characters with NCL control commands.
- If you use wildcard characters with an entity instance name, a display of all the instances of a class appears.
- NCL supports the use of wildcards for any directive except create.
- If you use a wildcard in an entity instance name, an operation occurs on all the instances of a class. For example, show node 0 session control application * shows the identities of all session control applications.

Introduction to NCL

1.5 NCL Command Syntax

1.5.10 Recalling a Command

To recall previously entered NCL commands, press the up-arrow key. After recalling an NCL command, modify it by using Ctrl/A to switch between insert and overstrike modes of editing. You can also use the Delete key to edit a command line. Re-enter the command by pressing the Return key. Press the down-arrow key to recall the next (most recent) command in the NCL command recall buffer.

1.5.11 NCL Command Output

After you enter a command, the system responds with a display that includes a summary of the command you entered, the UID of the entity (if enabled) referred to in the command, and a timestamp showing when the command was executed. With some commands (for example, show), the output also includes a display of certain values.

The following is an example of a typical show command and the resulting display:

```
ncl> show nsp all
Node 0 NSP
AT 1992-06-03-10:35:12.234-04:00I0.277
Status
    UID                    = 9AF8477A-407E-11CB-800B-AA000400784D
    State                  = On
    Currently Active Connections = 14
Characteristics
    Maximum Transport Connections = 200
    Maximum Receive Buffers      = 2000
    Delay Weight                  = 3
    Delay Factor                  = 2
    Maximum Window                = 8
    DNA Version                   = T4.2.1
    Acknowledgment Delay Time     = 3
    Maximum Remote NSAPS         = 201
    NSAP Selector                 = 32
    Keepalive Time                = 60
    Retransmit Threshold          = 5
    Congestion Avoidance          = False
ncl>
```

A command that executes appropriately and completes its assigned task produces a *success response*. Success responses are not documented in the command description sections of this book unless the success response contains arguments or the response indicates that something other than the expected action has occurred.

If a command does not complete successfully, you can get one or more exception or error messages. There are three categories of error returns for NCL commands:

1. **OpenVMS NCL error messages**; that is, errors that occur at the level where OpenVMS is processing NCL commands.
2. **Common NCL exception messages**; that is, errors that occur within NCL and which apply to more than one command.
3. **Command-specific exception messages**, which are described with the commands that can produce them.

Each command description in this manual includes at least one example that shows a typical successful command with possible resulting output.

1.5.12 Displaying Unique Identification (UID) Values

Any entity that has counters or generates events is assigned a unique identification (UID) value. A UID is a 16-byte entity attribute that is unique throughout the network and for all time; that is, because the creation time of the entity is included as a portion of the UID, no two identical UIDs will ever be created.

A UID identifies a unique instance of an entity. For network management, UIDs provide a guaranteed way to track the characteristics and status of that precise entity instance. Each entity having counter attributes also has a creation timestamp identifying when the entity was created.

The UID is included in any response or event from an entity that has a UID. Any entity that generates events or has counters must have a UID, which is also visible as a status attribute.

Both the UID and the creation timestamp are included in any event logging report that returns one or more counters in its argument list.

The UID value for an entity is not always needed and can clutter a show display or an event-logging report. By default, UID values are not displayed. Use the `enable ncl uid display` command if you wish to see this attribute. To turn UID displays back off, type `disable ncl uid display`.

1.5.13 Specifying Access Control Information

When using NCL commands to manage entities on remote systems in the network, use the appropriate method of supplying access control information as follows:

- Use the `by` prepositional phrase.

The `by` prepositional phrase authenticates that an account or proxy account for a particular user has been set up with the proper access control information. Use of the `by` preposition is portable to other DECnet-Plus systems. Use the following format to append access control information using the `by` preposition.

```
by user=username, password=password, account=account, proxy={TRUE/FALSE}
```

For Tru64 UNIX, NCL ignores any use of the `by proxy` clause so that the modifier "`by proxy=true`" (that is, proxy access allowed) is always in effect.

If user `j_smith` has privileges to access the session control application `graphics_exchange` on the remote node, `j_smith` can use the `by` preposition as follows:

```
ncl> ! On node .admin.finance
ncl> show node .admin.artists session control application -
_ncl> graphics_exchange all counters, by user=j_smith, password=DoNotUse
.
.
.
```

- Specify an access control string.

The access control string (ACS) consists of a user name and password for an account on the remote system.

Introduction to NCL

1.5 NCL Command Syntax

Enter the user name and password immediately following the node name, surrounded by quotes:

```
ncl> show node .admin.artists"j_smith DoNotUse" session control application -
_ncl> graphics_exchange all counters
```

On remote OpenVMS systems, to do a show operation you need the NET\$EXAMINE right when specifying access control information. For write access (for example, set, disable, enable etc.), you need NET\$MANAGE right or BYPASS privilege on the remote system.

On remote Tru64 UNIX systems, you do not need privileges to do a show operation when specifying access control information. However, for write access, you must have superuser access to the system.

The use of proxy accounts is a more manageable method of establishing access control schemes between two systems. The *DECnet-Plus for OpenVMS Network Management* guide contains more information about controlling remote network access through the use of proxy accounts.

1.5.14 Establishing Default Context

When you are using NCL commands to manage one particular entity, set up a default for the entity, set up access control information for the entity, or both. Refer to Section 1.1 for further information on the rights identifiers required to access a remote or local node. (You need at least the NET\$EXAMINE right to issue the set default commands discussed in this section.) Use the set ncl default entity command to set up a default entity. For example:

```
ncl> set ncl default entity node .mfg.cadcam session control
ncl> show ncl default entity
ncl default entity = node .mfg.cadcam session control
```

The set ncl default access command sets up default access control independently of the default entity. Once established, the default access control is applied to any command where an explicit by prepositional phrase is omitted *and no user information is given with the node name*.

```
ncl> ! on node .admin.finance
ncl> set ncl default access by user=j_smith, password=DoNotUse
ncl> show ncl default access
```

```
ncl Default access = user name=j_smith
                    account=
                    proxy=false
```

```
ncl> show node .admin.artists session control application -
_ncl> graphics_exchange all counters
```

The set ncl default access overrides an access control string specified with an entity.

1.5.14.1 Default Context Usage Notes

When supplying access information, HP recommends that you provide both the username and password in a single command. In addition, the command should include a default node entity. Here are two recommended forms of the set ncl default command:

```
ncl> set ncl default entity -
_ncl> node nodename"username password" [subentity | subentities]

ncl> set ncl default entity node nodename [subentity | subentities], -
_ncl> access by user=username, Password=password
```

Introduction to NCL

1.5 NCL Command Syntax

Once established, default entity and access control information remains in effect for the duration of the NCL session or until it is modified by subsequent set ncl default commands.

When a set ncl default command contains new access information but lacks a default node entity, the new access information is stored, but is not used until some subsequent set ncl default entity node command is issued. For example, the following two commands set new access information but do not specify a default node entity:

```
ncl> set ncl default access by user=username, password=password
ncl> set ncl default entity [subentity | subentities], -
_ncl> access by user=username, password=password
```

The following example shows the result of using a command of this type.

```
ncl> show ncl default
No NCL Default Access has been set
NCL Default Entity ()

ncl> set ncl default access by user=user1, password=goodpassword
ncl> show ncl default
NCL Default Access by User user1, Password xxx
NCL Default Entity ()
```

Note that the access control information created in the preceding commands remains unused until the default node entity is modified. The following set command would then result in the establishment of a connection to node remnod using the user1 account:

```
ncl> set ncl default entity node remnod
ncl> show ncl default
NCL Default Access by User user1, Password xxx
NCL Default Entity Node remnod
```

Once you have set a default node entity, all subsequent set ncl default entity commands apply to that node until the user modifies the default node entity. For example, with the default node entity set to remnod, you can set the default entity to session control on node remnod without respecifying the node entity:

```
ncl> set ncl default entity session control
ncl> show ncl default
NCL Default Access by User user1, Password xxx
NCL Default Entity Node remnod Session Control
```

To change to another subentity on the remote node, you must include (or re-specify) any subentities beneath the node entity. Even though the current default entity in this example is node remnod session control, you must re-specify the subentity session control if you want to set default to a lower subentity on that node. For example, NCL does not parse the following command because the entity session control is not respecified:

```
ncl> set ncl default entity application fal
%NCL-E-INVALIDCOMMAND, unrecognized command
SET NCL DEFAULT ENTITY \Application\ fal
ncl> show ncl default
NCL Default Access by User user1, Password xxx
NCL Default Entity Node remnod Session Control
```

Introduction to NCL

1.5 NCL Command Syntax

Since NCL could not parse the command, the NCL defaults remained unchanged. Instead, the following command would be necessary to change the default to a lower subentity on node remnod:

```
ncl> set ncl default entity session control application fal
ncl> show ncl default
NCL Default Access by User user1, Password xxx
NCL Default Entity Node remnod Session Control Application fal
```

Note that in the preceding example the instance identifier `fal` specified a particular instance of a session control application entity. But it is also acceptable to use wildcards to specify the default entity. In the example below, the wildcard `"*"` is used as an instance identifier to refer to all session control applications on the default node.

```
ncl> set ncl default entity session control application *
ncl> show ncl default
NCL Default Access by User user1, Password xxx
NCL Default Entity Node remnod Session Control Application *
```

Note that if the default access control information and the default entity are now modified, but no node entity is specified, the old default access control remains in effect.

```
ncl> set ncl default access by user=user2, password=badpassword,
_ncl> entity session control
ncl> show ncl default
NCL Default Access by User user2, Password xxx
NCL Default Entity Node remnod Session Control Application *
```

In the preceding example, the new default access information is stored, but contrary to the default access information displayed by `SHOW NCL DEFAULT`, the connection to node `remnod` through the `user1` account will remain in use until the default node entity is changed.

This next command would request a new connection to node `remnod` using the latest default access information (through the `user2` account), but the connection would fail because the password information provided earlier for the `user2` account was incorrect:

```
ncl> set ncl default entity node remnod
%NCL-E-REQUESTFAILED, command failed due to:
-CML-E-SESSPROB, error returned from session control
-IPC-E-BADUSER, access control rejection
-NET-F-REMOTEDISCONN, connection disconnected by remote user
%NCL-E-NOCONNECTION, cannot establish CMIP connection to remote node
set ncl default entity node remnod
```

Whenever a connection to a default node entity fails, the default node entity is reset to the local node. Default subentity information is cleared as well because subentities are node-specific. The default access information is left as is, but it remains unused until the default node entity is reset. For example, after the above failure to modify the default node entity, the NCL defaults would look like this:

```
ncl> show ncl default
NCL Default Access by User user2, Password xxx
NCL Default Entity ()
```


1.6 Using Snapshot

The snapshot function saves the counters' values and displays those values. After you issue the snapshot command, you can use the show command to display a comparison of the current values and the registered values at later times.

The following command activates snapshot for the entity and produces the snapshot output:

```
ncl> snap nsp port nsp$port_0000200f all counters

Snapshot node 0 NSP Port NSP$PORT_0000200F
at 1995-09-18-19:49:11.76078 - 04:00 I 52.08425

Counters
  Creation Time = 1995-09-18-18:55:25.59899 - 04:00 I 52.08425
  User Octets Received = 932
  User Octets Sent = 246
  User PDUs Received = 22
  User PDUs Sent = 10
  .
  .
  .
```

The following show command displays the snapshot for the entity for which snapshot was activated:

```
ncl> show nsp port nsp$port_0000200f all counters

Show node 0 NSP Port NSP$PORT_0000200F
at 1995-09-18-19:49:11.76078 - 04:00 I 52.08425

Counters
  Creation Time = 1995-09-18-18:55:25.59899 - 04:00 I 52.08425
  Snapshot created at 1995-09-18-19:49:11.76078 - 04:00 I 52.08425

      Actual Value      Snapshot Value      Difference
      -----
User Octets Received    2414                932                1482
User Octets Sent        262                 246                 16
User PDUs Received      25                  22                   3
User PDUs Sent          11                  10                   1
.                        .                    .                    .
.                        .                    .                    .
.                        .                    .                    .
```

Note

Snapshot information is only retained for the duration of an NCL session. Therefore, you must enter the snapshot command and subsequent show commands at the ncl> prompt rather than at the DCL prompt. To gather snapshot information from a remote node, you can either set the NCL default to the remote node entity or include the node name in each NCL command, as long as the commands are issued within the same NCL session.

Introduction to NCL

1.7 Setting Up Optional Initialization or Key Definition Files

1.7 Setting Up Optional Initialization or Key Definition Files

You can customize your NCL environment by using either the optional initialization file or optional key definition file.

- The initialization file contains NCL commands that are executed when you start NCL; that is, before you receive the NCL prompt `ncl>`. Alternatively, the initialization file is executed prior to executing an NCL script file that is specified as part of a DCL command line. In the following example, the initialization file is executed before the `ROUTING.NCL` script:

```
$ ncl @routing.ncl
```

- The key definition file associates commonly used NCL commands with keys on the keypad. Use the `define/key` command to create the definition.

NCL uses the default file names listed below, unless you have defined alternative files using the logical names listed:

File Type	Default	Logical Name
Initialization	<code>SYS\$LOGIN:NCL\$INIT.COM</code>	<code>NCL\$INIT</code>
Key definition	<code>SYS\$LOGIN:NCL\$KEYDEF.INIT</code>	<code>NCL\$KEYDEF</code>

To use `NCL$NODEA_INIT.COM` as an initialization file, use the following DCL `define` command:

```
$ define ncl$init ncl$nodea_init.com
```

When NCL starts up, it checks for the file `NCL$NODEA_INIT.COM`, and if it exists, executes the NCL commands within the file.

1.7.1 KEYPAD Definition for NCL

The `SYS$EXAMPLES:SETUP_NCL_KEYPAD.COM` command file creates files that allow you to execute commonly used NCL commands using one or two keystrokes on the keypad. You should execute this command file from the system account. It works in a cluster environment, but only for those roots on a single system disk and only for those nodes booted into the cluster at the time you execute the command file.

```
$ @sys$examples:setup_ncl_keypad
```

This command file creates Keypad definitions files for NCL to be used with the DECnet-Plus for OpenVMS products. It creates files in `SYS$MANAGER:` and `SYS$HELP:.` All files begin with `NCL$KEYDEF`. A copy of this file will be made in `SYS$UPDATE:`

In a cluster environment, NCL scripts are created in `SYS$SPECIFIC:` directories for each node on this system disk.

This file may be copied to any system running DECnet-Plus for OpenVMS.

Note: Please add

```
"$ DEFINE/SYSTEM NCL$KEYDEF SYS$MANAGER:NCL$KEYDEF.INIT"
```

to your OpenVMS startup procedure.

Continue? [Y/N Def: Y]:

Creating NCL Key Definition Init File...

Creating NCL Key Definition Help Text Files...

Installing in a cluster environment. Scripts created for each member...

%SYSMAN-I-ENV, current command environment:

Clusterwide on local cluster

Username SYSTEM will be used on nonlocal nodes

1.7 Setting Up Optional Initialization or Key Definition Files

```
%SYSMAN-I-OUTPUT, command execution on node NODEA
NSP Show Nodes Complete...
OSI Show Nodes Complete...
Show Routing Adjacencies Complete...
%SYSMAN-I-OUTPUT, command execution on node NODEB
NSP Show Nodes Complete...
OSI Show Nodes Complete...
Show Routing Adjacencies Complete...
%SYSMAN-I-OUTPUT, command execution on node NODEA
%SYSMAN-I-OUTPUT, command execution on node NODEB
$
```

Once in NCL, keypad *PF4* displays an introduction and keypad *PF2* provides help on the keypad layout.

1.8 Accessing Name Service Information

The `decnet_register` tool is an executable image located in `SYS$SYSTEM:`. It centralizes and simplifies namespace management tasks by replacing functionality previously provided by both the `decnet_dns_register` and `decnet_loc_register` command procedures located in `SYS$MANAGER:`.

The `decnet_register` tool manages information in both the DECdns distributed name service and the Local namespace. The `decnet_register` Manage command assists with setup tasks for the DECdns name service. For example, it creates namespace directories and access groups, and enables autoregistration.

The `decnet_register` tool has both command line and forms interfaces. Online help information is provided with the tool.

See the *HP DECnet-Plus for OpenVMS Network Management* manual for more information and instructions on registering, deregistering, modifying, and renaming node names. See the *HP DECnet-Plus for OpenVMS DECdns Management* manual for information about `dnscp` and for detailed instructions on managing the namespace and its contents.

1.9 Using NCP for Remote Network Management

DECnet-Plus lets you manage remote systems running Phase IV software from a system running DECnet-Plus network management. To execute an NCP command, follow the specific platform instructions.

Because NCL is not backwards compatible with NCP, NCP scripts do not work under the NCL utility. To run NCP scripts, you need to use the `convert` command in the `decnet_migrate` utility. For more information on this utility, see the *HP DECnet-Plus for OpenVMS Network Management* manual.

You can use the NCP emulator tool to manage remote Phase IV nodes with the `tell` and `set` executor node commands. For example, to zero the executor counters on a remote Phase IV node from a local Phase V node, enter the following:

```
$ run sys$system:ncp
NCP> tell remnod"account password" zero exec counters
```

The NCP emulator tool is not intended for management of Phase V nodes. Refer to *HP DECnet-Plus for OpenVMS Network Management* guide for more information about the NCP emulator tool. For example, the following error is returned when an NCP emulator command is attempted on a Phase V system without specifying a remote Phase IV system:

Introduction to NCL

1.9 Using NCP for Remote Network Management

```
NCP> zero exec counters
%NCP-W-SYSMGT, System-specific management function not supported
```

1.10 Console Carrier

The console carrier provides access to the remote console subsystem (ASCII console) of a network server on a LAN. The console carrier interface does not use NCL. Instead, you can enter commands at the operating system to use the console carrier.

For further information about the console carrier, consult the *HP DECnet-Plus for OpenVMS Network Management* manual.

Part II

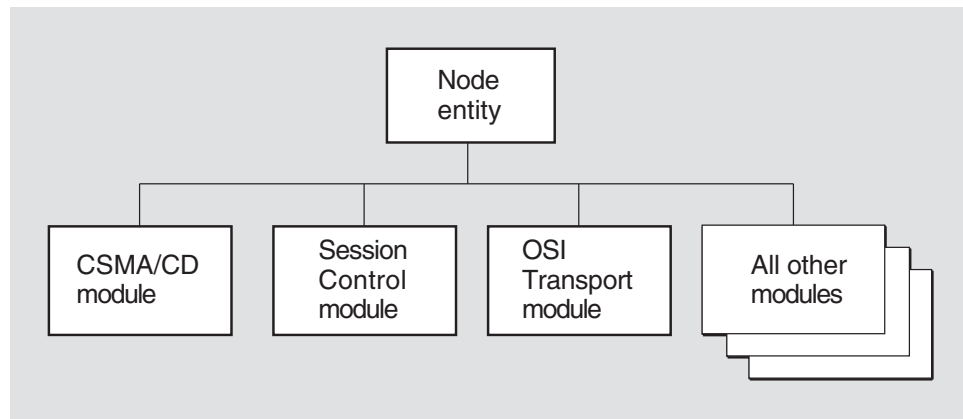
NCL Reference

Node Module

The Node module has one entity, the global node entity, which crowns the hierarchy represented in the entity model described by the DIGITAL Network Architecture. All other modules described in this book are subordinate to the Node module. When enabled, each node is visible to all other nodes on the network. Access to a node's entities must be made through the node.

Figure 2-1 shows the hierarchical relationship of the Node global entity to all of the other (local) entities that are described in this book.

Figure 2-1 The Node Global Entity in the DNA Entity Hierarchy



LKG-4543-92R

Node Module

2.1 node

2.1 node

The node entity is the only entity in the Node module. All other entities described in this book are subordinate to the node entity, as demonstrated by the components of their entity names.

Syntax

enable [node *node-id*] function *function*

disable [node *node-id*] function *function* (OpenVMS)

rename [node *node-id*] new name *full-name*

show [node *node-id*] [all [attributes] | all characteristics | all counters | all identifiers | all status]

2.1.1 Entity Name

Commands that manage a node entity specify the node using this format:

node *node-id*

Node being managed by the command.

If you want to operate on the local node, you can either omit the node identifier in your NCL command, or you can specify node 0, which identifies the local node.

2.1.2 Commands

enable

Turns on the node entity with or without the address watcher.

rename

Changes the node's name within the node and does not affect the name server directly. It uses the new name and an immediate keep me here transaction with the name servers which then update themselves based on the node's new name.

2.1.3 Arguments

function *function*

Specifies a function to disable or enable on the node. For the enable command, the function argument is optional. Specifying one, both, or neither has the effect of changing the state to on.

address watcher

Enables the address watcher function. Enabling this function allows the node to update its address identifier when a change of address is detected.

Disabling this function causes the state attribute to be set to off, but the node can still respond to management through its CMIP interface. The disable function is only supported on OpenVMS.

CMIP listener

Enabled automatically by the software. This function permits the node to respond to management through its CMIP listener interface. The CMIP listener function is only supported on Tru64 UNIX.

new name *full-name*

Specifies the new name to be assigned to the node.

2.1.4 Characteristic Attributes

implementation

Particular DECnet implementation of the node. You cannot modify this characteristic.

listener template (Tru64 UNIX)

Name of the OSI Transport template to be passed through the CMIP listener to Session Control. You cannot modify this characteristic.

maximum listeners (Tru64 UNIX)

Maximum number of CMIP listeners that the node supports. Zero specifies an unlimited number of listeners. You cannot modify this characteristic.

version

Version number of the network management architecture specification to which the implementation conforms. You cannot modify this characteristic.

2.1.5 Counter Attributes

changes of address

Number of times the node's address has changed.

changes of id

Number of times the node's ID has changed.

creation time

Time at which the entity was created. This time reflects the time at which the node was first booted.

idrom check failures

Number of times an IDROM was checked for consistency and was found to be in error.

renames

Number of times the node has been renamed (see the `rename` command).

2.1.6 Identifier Attributes

address

Set of protocol towers that together form a Session Control application address for the node's CMIP listener.

name

Full name of the node as it is registered in your namespace; name is the primary identifier.

Node Module

2.1 node

2.1.7 Status Attributes

functions enabled

Functions that are currently enabled for the node (see the `enable` command).

id

Indicates the unique 48-bit ID of the node.

state

State of the node.

booting

The node is attempting to downline load. You cannot manage the node in this state. If the boot process is successful, the node enters the `off` state. This function is only supported on OpenVMS.

dead

The node is unusable and unmanageable as the result of a power failure or similar event. The node must be rebooted. This function is only supported on OpenVMS.

off

The node is manageable, but not all of its functions are enabled.

on

All of the node's functions are enabled and the node is fully manageable. The `on` state is the normal operating state.

uid

Node's unique identifier, which is generated when the node is created.

2.1.8 Event Messages (Tru64 UNIX)

address changed

Generated each time the node address changes.

Arguments:

old address

Protocol tower set that constituted the old node address.

new address

Protocol tower set that constitutes the new node address.

id changed

Generated each time the node's ID status attribute changes value.

Arguments:

old id

Node's old 48-bit ID.

new id

Node's new 48-bit ID.

idrom check failure

Generated each time an IDROM was checked and failed the test.

Arguments:

contents

Value of the failed IDROM.

owner

Name of the device on which the failed IDROM address exists.

renamed

Generated each time the node's name changes.

Arguments:

old name

Old full name of the node.

new name

New full name of the node.

2.1.9 Exception Messages (Tru64 UNIX)

For rename:

update of backtranslation soft links failed

Update of backtranslation soft links failed on the rename directive.

update of new name failed

New name update has failed on the rename directive.

unregistered name

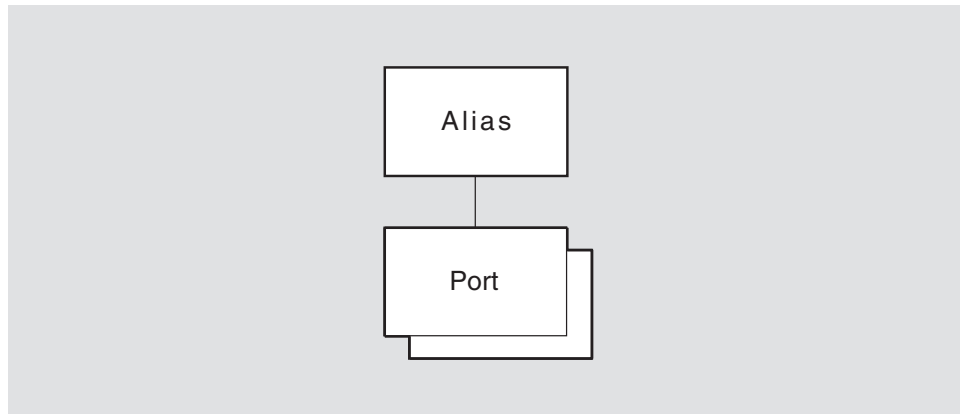
The attempt to rename the node failed because the name and/or UID were not registered in DNS.

Alias Module (OpenVMS)

This chapter describes all the commands you can use to manage the entities that constitute the Alias module. The Alias module provides the means to define an alternate network address that is shared by multiple nodes in the same OpenVMS cluster. This makes it possible to treat an OpenVMS cluster, or several nodes within an OpenVMS cluster, as though it were a single node in the network.

Figure 3–1 shows the hierarchical relationship of the entities that constitute the Alias module.

Figure 3–1 Hierarchy of Alias Module Entities



LKG-4546-92R

Alias Module (OpenVMS)

3.1 alias

3.1 alias

The alias entity is the top-level entity in the hierarchy belonging to the Alias module. The entity is the root from which alias port subentities may be defined.

Syntax

```
create [node node-id] alias
```

```
delete [node node-id] alias
```

```
show [node node-id] alias [all [attributes] | all counters]
```

3.1.1 Counter Attributes

creation time

Specifies the time at which the entity was created.

3.1.2 Exception Messages

For create:

already exists

An alias entity already exists.

wrong node type

An alias entity cannot be created on an alias node.

For delete:

module enabled

Disable the alias entity before trying to delete it.

3.2 alias port

An alias port entity provides the means to define an alternate network address for this node, which is shared by other nodes in the same OpenVMS cluster. When the alias port entity is enabled, this node becomes an active member of the OpenVMS cluster alias it specifies.

The first node in the OpenVMS cluster to create an alias port for a particular alias address causes that alias to be created. Subsequent nodes that create an alias port for the same alias establish connections (ports) to that alias. The alias becomes active when the first node enables its alias port for that alias. The *port-name* refers to the port managed by this command.

Note

When a node enables an alias port, that node registers itself with other members of the alias.

Syntax

```
create [node node-id] alias port port-name [node id ID802]  
delete [node node-id] alias port port-name  
disable [node node-id] alias port port-name  
enable [node node-id] alias port port-name  
set [node node-id] alias port port-name { outgoing default boolean | selection weight integer }  
show [node node-id] alias port port-name [all [attributes] | all characteristics | all counters | all identifiers | all status]  
shut [node node-id] alias port port-name
```

3.2.1 Commands

shut

Places the specified alias port entity in the shut state. Note that other nodes participating in the alias will continue to accept connections for the alias after this command is executed.

3.2.2 Arguments

node id

The LAN address to assign to the alias. Use the *node id* argument for the first cluster member to create the alias. Omit the argument for subsequent cluster members.

3.2.3 Characteristic Attributes

outgoing default

Default: False

Value: Boolean

Specifies whether this alias should be used as the default alias for this node. If set to true, this alias name is used for connect requests on all outgoing connections from session control applications with their outgoing alias attribute set to true. Only one alias port can have this characteristic set to true.

Alias Module (OpenVMS)

3.2 alias port

selection weight

Default: none

Value: 1-255

The number of sequential incoming connects to be passed to this member node in the round-robin sequence before proceeding to the next member node in the sequence. A value of zero means this node is not eligible to receive incoming connections to this alias address. Selection weight is used to apportion incoming alias connections according to the capacity of each alias member. Nodes with greater capacity should have larger values of selection weight, while local area OpenVMS cluster satellites should generally have a value of zero. Setting the selection weight to a very low non-zero number, such as 1, encourages needless connection delay because each incoming connection is treated in a round-robin fashion. That is, as each new connection comes in, it must be passed to the next cluster member. HP recommends values between 5 and 10.

Note

The `nsp maximum transport connection` value determines the number of connections on an alias member. If the alias port is enabled, changing the `nsp maximum transport connection` value has no effect.

3.2.4 Counter Attributes

creation time

Specifies the time at which the entity was created.

3.2.5 Identifier Attributes

name

This string is the port identifier and is also the DECdns-registered node object name of the Alias pseudonode.

3.2.6 Status Attributes

node id

The 6-byte node-id field in the Alias pseudonode's NSAP.

state

Specifies the status of the alias port entity.

off The alias port entity is enabled

on The alias port entity is enabled

shut The alias port entity is enabled and supports existing connections using this alias. However, no further alias connection requests are honored. When all existing alias connections are closed, the alias port entity transitions to the off state.

3.2.7 Exception Messages

For create:

already exists

An alias port entity already exists.

too many alias port entities

The maximum number of alias port entities has been exceeded.

For delete:

cannot delete the entity while it is enabled

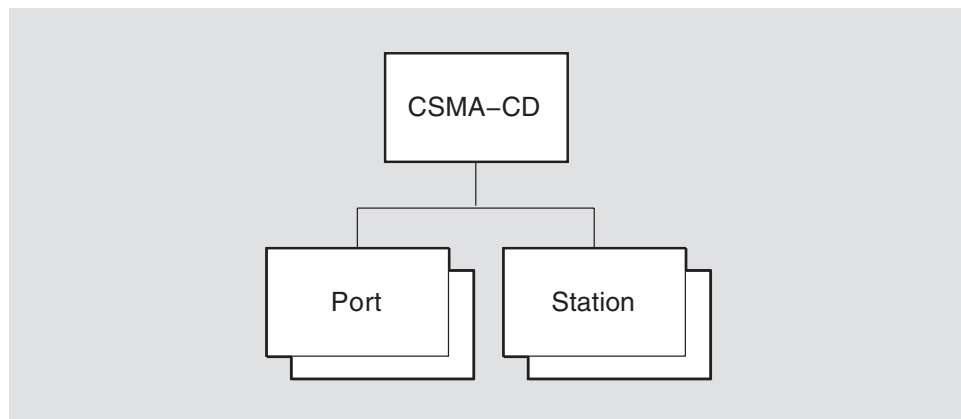
Disable the alias port entity before trying to delete it.

CSMA-CD Module

This chapter describes all the commands you can use to manage the entities that constitute the CSMA-CD module. A Carrier Sense Multiple Access with Collision Detection (CSMA-CD) local area network (LAN) provides high-speed communications channels for connecting computers and other digital devices located within a moderate-sized geographic area. Like other LANs, the CSMA-CD LAN falls between long-distance, low-speed networks that carry data for hundreds or thousands of kilometers, and specialized, high-speed intercommunications that are generally limited to tens of meters. The CSMA-CD LAN is intended for use primarily in such areas as office automation, distributed data processing, terminal access, distributed systems, and other situations that require economical connection to a local communication medium with sporadic traffic at high-peak data rates.

Figure 4–1 shows the hierarchical relationship of the entities that constitute the CSMA-CD module.

Figure 4–1 Hierarchy of CSMA-CD Module Entities



LKG-4544-92R

The DIGITAL Network Architecture (DNA) CSMA-CD module incorporates the functions and operations defined in the Ethernet Specification Version 2.0 and the ISO 8802-3 (IEEE 802.3) CSMA-CD Access Method and Physical Layer specification as well as parts of the ISO 8802-1 (IEEE 802.1) Addressing, Internetworking, and Network Management and the ISO 8802-2 (IEEE 802.2) Logical Link Control specifications. To this, the DNA CSMA-CD module adds features often needed by users of the data link. A typical such data link user is the Network layer of the DNA.

CSMA-CD Module

4.1 csma-cd

4.1 csma-cd

The `csma-cd` entity is the top-level entity in the hierarchy of entities belonging to the CSMA-CD module.

Syntax

```
create [node node-id] csma-cd
```

```
delete [node node-id] csma-cd
```

```
show [node node-id] csma-cd [all [attributes] | all characteristics]
```

4.1.1 Characteristic Attributes

version

Default: Current version number

Version number of the CSMA-CD data link architecture specification to which the implementation conforms. You cannot modify this characteristic.

4.1.2 Exception Messages

For create:

already exists

A `csma-cd` entity already exists.

For delete:

has children (Tru64 UNIX)

Cannot delete while subentities exist.

cannot delete while subentities exist (OpenVMS)

Cannot delete while subentities exist.

4.2 csma-cd port

A `csma-cd port` entity represents an access point to the service offered by the CSMA-CD module. A client transmits and receives data through a port. Ports are created and deleted by client use of open and close service interface procedures. The *port-name* refers to the port managed by this command.

Syntax

```
show [node node-id] csma-cd port port-name [all [attributes] | all counters | all identifiers | all status]
```

4.2.1 Counter Attributes

Unless stated otherwise, counts include both normal and multicast traffic and all protocol types, service access points (SAPs), and protocol identifiers.

creation time

Time at which the port was created.

multicast octets received

Number of multicast data octets that were received successfully and made available to the port user. The count is the number of octets in the CSMA-CD user data field and does not include MAC (media access control, a sublayer of the CSMA-CD Data Link layer) headers. Comparing this count to the octets received count yields the gross percentage of bandwidth that was consumed (over time) by multicast PDUs received by the port.

multicast octets sent

Number of multicast data octets that were sent successfully through the port. The count is the number of octets in the MAC user data field, including any padding or length fields; it does not include MAC headers. Comparing this count to the octets sent count yields the gross percentage of bandwidth that was consumed (over time) by multicast PDUs transmitted by the port.

multicast pdus received

Number of multicast PDUs that were received successfully and made available to the port user. Counted PDUs passed address and protocol filtering and were received without errors. Comparing this count to the pdus received count yields a gross percentage of CSMA-CD usage for multicast pdus received by this port.

multicast pdus sent

Number of multicast PDUs that were sent successfully through the port. Comparing this count to the pdus sent count yields a gross percentage of CSMA-CD usage for multicast pdus sent by this port.

octets received

Total number of MAC user data octets that were received successfully and made available to the port user. Counted frames passed address and protocol filtering for both individual and multicast MAC addresses and were received without errors. The count is the number of octets in the CSMA-CD user data field plus any padding, Ethernet length fields, or logical link control (LLC) header fields; it does not include MAC headers. Adding the octets received count to the protocol overhead calculated from the pdus received count yields the amount of CSMA-CD bandwidth consumed by frames received by the port.

CSMA-CD Module

4.2 csma-cd port

octets sent

Total number of user data octets that were sent successfully through the port. The count is the number of octets in the MAC user data field including any padding or length fields; it does not include MAC headers. Adding the octets sent count to the protocol overhead calculated from the pdus sent count yields the amount of CSMA-CD bandwidth consumed (over time) by frames sent by the port.

pdus received

Total number of PDUs that were received successfully and made available to the port user. Counted PDUs passed address and protocol filtering and were received without errors. The count provides a gross measurement of incoming CSMA-CD usage by the port.

pdus sent

Total number of PDUs that were sent successfully through the port. The count provides a gross measurement of outgoing CSMA-CD usage by the port.

unavailable user buffers

Number of times that no user buffer was available at the port for an incoming frame that passed all filtering for the port. Used in conjunction with the pdus received count, this counter can indicate the rate of user buffer receive problems.

4.2.2 Identifier Attributes

name

Simple name assigned to the port when it is created.

4.2.3 Status Attributes

client

Name specified by the data link user when the port was opened.

ethernet protocol types

Set of Ethernet protocol types that are currently recognized for this port.

length present

The data link adds a length field on transmit frames. It assumes the presence of a length field and attempts to remove it on received Ethernet frames. When `false`, the data link does not add and remove length fields. This attribute is irrelevant for ISO 8802-3 formatted frames, which always have a length field.

false The data link does not add and remove length fields.

true The data link adds and removes length fields.

llc sap addresses

Set of individual and group logical link control (LLC) service access point (SAP) addresses that are currently recognized for this port.

llc service

Type of LLC (logical link control) PDU processing that is required on the port (as defined by the user when the port was opened).

class 1 The data link provides class 1, type 1 service.

user-supplied The user is responsible for handling the LLC protocol.

mac addresses

Set of individual and multicast MAC (medium access control) addresses that are currently recognized for this port.

receive mode

Type of receive mode that is currently enabled for the port.

normal

The port receives only those frames that meet the normal address and protocol filtering requirements requested by the user.

promiscuous

The port receives all frames regardless of format and MAC address.

snap protocol identifiers

Set of subnetwork access protocol (SNAP) identifiers that are currently recognized for this port.

station

Name of the station associated with this port as specified by the user when the port was opened.

uid

Entity's unique identifier, which is generated when the port is created.

CSMA-CD Module

4.3 csma-cd station

4.3 csma-cd station

A `csma-cd station` entity manages a CSMA-CD controller. Wherever Phase IV DECnet manages a line, DECnet-Plus manages a station. Each station corresponds to a particular logical link control (LLC), medium access control (MAC), and physical attachment. The *station-name* refers to the station managed by this command.

Syntax

```
create [node node-id] csma-cd station station-name communication port port-id
delete [node node-id] csma-cd station station-name
disable [node node-id] csma-cd station station-name
enable [node node-id] csma-cd station station-name mac address ID802
set [node node-id] csma-cd station station-name station buffers integer (OpenVMS)
show [node node-id] csma-cd station station-name [all [attributes] | all characteristics | all counters |
all identifiers | all status]
```

4.3.1 Arguments

communication port

The system device name assigned to this station.

On OpenVMS systems, the name must be in the format *ddc*, where *dd* is the OpenVMS device name prefix and *c* is the controller letter. For a complete list of CSMA-CD devices and their OpenVMS device names, see the Documentation Errata and Addenda chapter in the *HP DECnet-Plus for OpenVMS Release Notes*.

On Tru64 UNIX systems, the name must be in the format *ddn*, where *dd* is the Tru64 UNIX device name prefix and *n* is the device number.

This argument determines the value of the `communication port` characteristic and is required.

mac address

Individual medium access control (MAC) address for the station. If you do not specify a MAC address, the network uses the address specified in the first `EnableMacAddress` user interface call directed to this station.

4.3.2 Characteristic Attributes

station buffers

Default: 4

Value: 1–64

Number of receive buffers reserved for the station. You cannot modify this characteristic.

4.3.3 Counter Attributes

Unless stated otherwise, counts include both normal and multicast traffic and all protocol types, service access points (SAPs), and protocol identifiers.

alignment errors

Number of times a received frame did not contain an integral number of octets.

carrier check failures

Number of times the data link did not sense the receive carrier signal or detected an error in the receive carrier signal during transmission of a frame.

collision detect check failures

Number of times the collision detect test signal was not sensed after a transmission. If this count approximates the number of frames sent, either the collision detect circuitry is not working correctly or the test signal is not implemented.

creation time

Time at which the station was created.

data overruns

Number of times the hardware lost one or more consecutive, partially complete, incoming frames because it could not keep up with the incoming frame rate. Used in conjunction with `pds received`, this count provides a measure of hardware resource and bandwidth failures.

excessive collisions

Number of times a transmission failed because the maximum allowable number of retransmission attempts all culminated in collisions.

frame check errors

Number of times a received frame containing an integral number of octets failed the frame check sequence (FCS).

frame size errors

Number of times the user requested transmission of a frame outside the range of valid frame sizes.

frames too long

Number of times a received frame exceeded the maximum length allowed by CSMA-CD medium access control.

initially deferred pdus sent

Number of times a PDU was deferred by the station access algorithm on the first attempt at transmission, but was then transmitted successfully without collision. Used in conjunction with `pds sent`, this count measures the rate of CSMA-CD contention with no collisions.

late collisions

Number of times a collision was detected after the allotted time for collisions had expired.

multicast octets received

Number of multicast data octets that were received successfully. The count is the number of octets in the CSMA-CD user data field and does not include MAC headers. Comparing this count to the `octets received` count yields the gross percentage of bandwidth that was consumed (over time) by multicast frames received by the local system.

multicast octets sent

Number of multicast data octets that were sent successfully. The count is the number of octets in the MAC user data field, including any padding or length fields; it does not include MAC headers. Comparing this count to the `octets sent` count yields the gross percentage of bandwidth that was consumed (over time) by multicast frames transmitted by the local system.

CSMA-CD Module

4.3 csma-cd station

multicast pdus received

Number of multicast PDUs that were received successfully. Comparing this count to the pdus received count yields a gross percentage of CSMA-CD usage for multicast PDUs received by this system.

multicast pdus sent

Number of multicast PDUs that were sent successfully. Comparing this count to the pdus sent count yields a gross percentage of CSMA-CD usage for multicast PDUs sent by this system.

multiple collisions pdus sent

Number of times a PDU was transmitted successfully on the third or later attempt by the station access algorithm after normal collisions on previous attempts. Used in conjunction with pdus sent, this count provides a measure of CSMA-CD media contention at a level where there are collisions and the backoff algorithm no longer works efficiently.

octets received

Total number of MAC user data octets that were received successfully from frames that passed address and protocol filtering for both individual and multicast MAC addresses. The count is the number of octets in the CSMA-CD user data field plus any padding, Ethernet length fields, or LLC header fields; it does not include MAC headers. Adding the octets received count to the protocol overhead calculated from the pdus received count yields the amount of CSMA-CD bandwidth consumed by frames received by the local system.

octets sent

Total number of user data octets that were sent successfully. The count is the number of octets in the MAC user data field including any padding or length fields; it does not include MAC headers. Adding the octets sent count to the protocol overhead calculated from the pdus sent count yields the amount of CSMA-CD bandwidth consumed (over time) by frames sent by the local system.

pdus received

Total number of PDUs that passed address and protocol filtering and were received without errors. The count provides a gross measurement of incoming CSMA-CD usage by the local system; this information can be used with other counters to approximate the average receive frame size or to determine the ratio of errors to successful receives.

pdus sent

Total number of PDUs successfully sent. The count provides a gross measurement of outgoing CSMA-CD usage by the local system; this information can be used with other counters to approximate the average transmit frame size or to determine the ratio of errors to successful transmissions.

receive data length errors

Number of times a frame was received with a length field value that was invalid for the number of octets actually received by medium access control.

send data length errors

Number of times the user requested transmission of an 802.3 frame with a length field value that was not valid for the number of octets actually passed.

single collision pdus sent

Number of times a PDU was successfully transmitted on the second attempt by the station access algorithm after a normal collision occurred on the first attempt. Used in conjunction with `pdus sent`, this count provides a measure of CSMA-CD media contention at a level where there are collisions, but the backoff algorithm still works efficiently.

station failures

Number of times the station self-testing procedures reported failure.

unavailable station buffers

Number of times a complete, fully received PDU was discarded because no station buffer was available. Used with `pdus received`, this count provides a measure of receive problems related to the station buffer.

unavailable user buffers

Number of times no user buffer was available for an incoming frame that passed all filtering for the port. Used with the `pdus received` count, this counter can indicate the rate of user buffer receive problems.

unrecognized individual destination pdus

Number of times a received PDU with an individual destination MAC address was discarded because there was no port with the correct Ethernet protocol type, SNAP protocol identifier, or link logical control SAP address enabled.

unrecognized multicast destination pdus

Number of times a received PDU with a multicast destination MAC address was discarded because there was no port with the correct Ethernet protocol type, SNAP protocol identifier, or link logical control SAP address enabled.

4.3.4 Identifier Attributes

name

Simple name assigned to the station when it is created.

4.3.5 Status Attributes

address filters

All individual MAC addresses currently enabled by any of the ports on the station.

communication port

DECnet-Plus device name for the station.

hardware address

Individual medium access control (MAC) address that was assigned during manufacture of the communications hardware that is associated with the station.

mac address

Current MAC address (if any) of the station. For more information about the MAC address, refer to the `enable` command.

receive mode

Current receive mode for the station. Some stations may not support all modes.

CSMA-CD Module

4.3 csma-cd station

normal	The station receives only those frames (individual and multicast) that meet the normal format, protocol, and access control requirements.
all multicast	The station receives all individual-addressed frames that meet the normal format, protocol, and address requirements, and all multicast-addressed frames regardless of their format, protocol, and address types. This function is only supported on OpenVMS.
promiscuous	The station receives all frames (individual and multicast) regardless of format, Ethernet protocol type, SNAP identifier, LLC SAP address, or MAC address. This function is only supported on OpenVMS.

state

Operational state of the station.

failed	Either an attempt to enable the station failed during the self-test or the station was on and the data link determined that the station would now fail the self-test.
initializing	The station is currently being initialized and tested by the data link.
off	The station is disabled.
on	The station is enabled and available for use.

For more information on station states, refer to the appropriate network management guide.

uid

Entity's unique identifier, which is generated when the station is created.

4.3.6 Event Messages

alignment error

This event is generated whenever an incoming frame does not contain an integral number of octets. This error can be caused by several conditions, such as electromagnetic interference, late collisions, or improperly set hardware parameters (for example, receiver squelch).

carrier check failure

This event is generated on a transmission that failed, either because the data link did not sense the receive carrier signal that must accompany transmission of a frame, or because the data link did not detect an error. This error indicates a failure in either the transmitting or receiving hardware, such as the transceiver or transceiver cable.

data overrun

This event is generated whenever an incoming frame is lost because of a hardware resource failure such as insufficient hardware buffers or insufficient CPU time.

excessive collision

This event is generated whenever a transmission fails because the medium access algorithm reached the maximum number of allowable retransmission attempts resulting from collisions. This error can occur when too many systems are trying to transmit at the same time or when there are cable problems.

frame check error

This event is generated whenever an incoming frame fails the frame check sequence (FCS) test. This error can be caused by several conditions, such as electromagnetic interference, late collisions, or improperly set hardware parameters (for example, receiver squelch).

frame too long

This event is generated whenever a remote system sends a frame that exceeds the CSMA-CD MAC maximum length.

late collision

This event is generated whenever a transmission fails because a collision was detected after the allowed window for collisions had elapsed. This error indicates either a problem with another system's carrier sense or a weak local transmitter.

receive data length error

This event is generated whenever a remote system sends an 802.3 frame having a length field value that is not valid for the number of octets actually received by the MAC.

unavailable station buffer

This event is generated whenever an incoming frame is discarded because there is no station buffer available to receive it. This error indicates a lack of local station buffers; that is, a lack of buffers between the cable and the user buffers.

unavailable user buffer

This event is generated whenever an incoming frame is discarded because there is no user buffer queued to the appropriate port to receive it. This error indicates a lack of buffers in the user process; that is, the buffers supplied by the user for the Receive function.

unrecognized individual destination pdu

This event is generated whenever an incoming frame that matches an enabled individual MAC address is discarded because the frame does not satisfy the filter criteria of any port. This error indicates that a remote system is using a protocol that is locally unsupported or that the local system has not enabled a protocol type, protocol identifier, or LLC SAP address that it should have.

unrecognized multicast destination pdu

This event is generated whenever an incoming frame that matches an enabled multicast MAC address is discarded because the frame does not satisfy the filter criteria of any port. This error indicates that the local system has not enabled an Ethernet protocol type, SNAP identifier, or LLC SAP address that it should have, or that a remote system is sending traffic that is invalid for the combination of multicast and the currently specified protocol type, SNAP identifier, or LLC SAP.

4.3.7 Exception Messages

For create:

already exists

A csma-cd station entity already exists.

communication port in use

Failure to create the csma-cd station entity because the communications port is already reserved by another entity.

CSMA-CD Module

4.3 csma-cd station

invalid communications port

Failure to create the csma-cd station entity because you cannot run CSMA-CD data link on this communications port.

For delete:

station in use (Tru64 UNIX)

Attempt to delete the csma-cd station entity failed because there is at least one active port still associated with this station. You must wait until the ports go away to delete this station.

wrong state

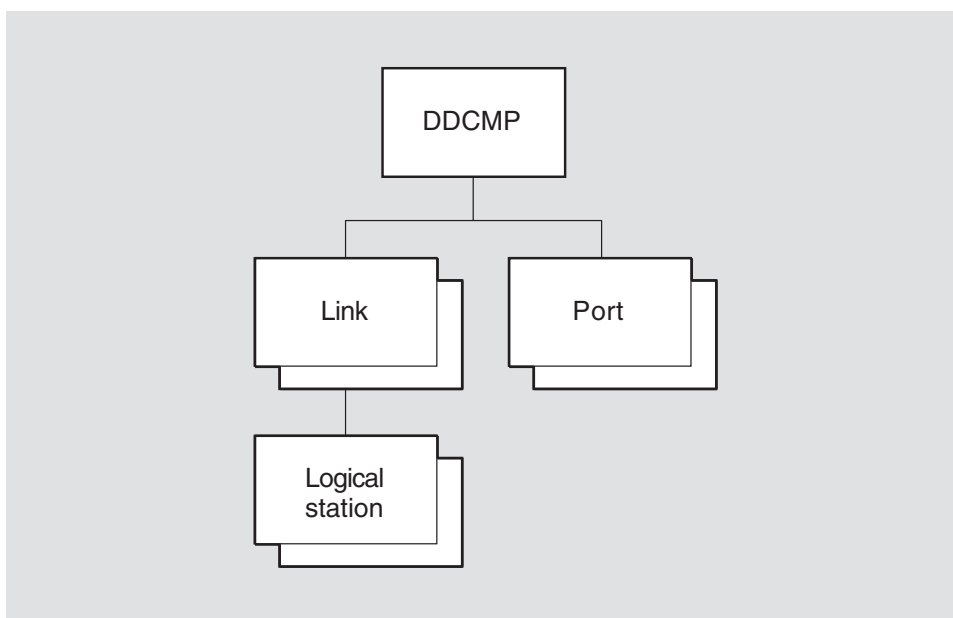
Failure to delete the csma-cd station because the station must be disabled before deletion.

DDCMP Module (OpenVMS)

This chapter describes all the commands you can use to manage the entities that constitute the DIGITAL Data Communications Message Protocol (DDCMP) module. The DDCMP module is a data link control procedure that ensures a reliable data communication path between communication devices connected by data links. DDCMP has been designed to operate over full- and half-duplex synchronous and asynchronous channels in both point-to-point and multipoint modes. It can be used in a variety of applications such as distributed computer networking, host/front-end processing, remote terminal concentration, and remote job entry-exit system operation.

Figure 5–1 shows the hierarchical relationship of the entities that constitute the DDCMP module.

Figure 5–1 Hierarchy of DDCMP Module Entities



LKG-4545-92R

DDCMP Module (OpenVMS)

5.1 ddcmp

5.1 ddcmp

The `ddcmp` entity is the top-level entity in the hierarchy of entities belonging to the DDCMP module.

Syntax

```
create [node node-id] ddcmp
```

```
delete [node node-id] ddcmp
```

```
show [node node-id] ddcmp [all [attributes] | all characteristics]
```

5.1.1 Characteristic Attributes

dna version

Version number of the DDCMP architecture specification to which the implementation conforms. You cannot modify this characteristic.

5.1.2 Exception Messages

For `create`:

already exists

A DDCMP entity already exists.

5.2 ddcmp link

The `ddcmp link` entity defines the attributes of a link to a communications port that uses DDCMP. The *link-name* refers to the link managed by this command.

Syntax

```
create [node node-id] ddcmp link link-name protocol protocol-type
delete [node node-id] ddcmp link link-name
disable [node node-id] ddcmp link link-name
enable [node node-id] ddcmp link link-name
set [node node-id] ddcmp link link-name {dead timer integer | delay timer integer | physical line
local-entity-name | receive buffers integer | retransmit timer integer | scheduling timer integer |
stream timer integer}
show [node node-id] ddcmp link link-name [all [attributes] | all characteristics | all counters | all
identifiers | all status]
```

5.2.1 Arguments

protocol *protocol-type*

Protocol mode used by the local station.

point The local station is one end of a point-to-point link. This is the default and only supported value.

tributary The local station acts as a tributary of a multipoint link.

5.2.2 Characteristic Attributes

dead timer

Default: 10000

Value: 1–65535

Specifies the delay, in milliseconds, between polls of one of the set of dead tributaries. This attribute is supported only if the characteristic `protocol` is set to `control`.

delay timer

Default: 0

Value: 0–65535

Specifies the minimum delay, in milliseconds, between polls. You can use this timer to limit the effect of a fast control station on slower tributaries. A value of 0 means that no delay is added. This attribute is supported only if the characteristic `protocol` is set to `control`.

physical line

Default: No name

Value: Local-entity-name

Name of the Physical layer entity over which the link operates. A value for this characteristic must be set before the link entity is enabled. You can modify this characteristic only when the entity is disabled.

protocol

Default: Point

Value: See description

Protocol mode used by the local station. You cannot modify this characteristic.

DDCMP Module (OpenVMS)

5.2 ddcmp link

The value of this characteristic is a copy of the protocol argument specified when the ddcmp link entity is created. The default value is point and is the only permissible value.

receive buffers

Default: 4 **Value:** 1–255

Number of receive buffers reserved for the link. You can modify this characteristic only when the entity is disabled. Also, you can only increase the characteristic value.

retransmit timer

Default: 3000 **Value:** 1–65535

Maximum time, in milliseconds, to wait between sending a message and receiving a valid response. If this time expires, the local station takes error recovery action. On full-duplex point-to-point links, the timer is started immediately when a message is sent.

scheduling timer

Default: 200 **Value:** 50–65535

Time, in milliseconds, between the recalculation of tributary polling priorities. This attribute is supported only if the characteristic protocol is set to control.

stream timer

Default: 6000 **Value:** 0–65535

Time, in milliseconds, for which a tributary or the remote station (on a half-duplex, point-to-point link) can hold the line. This characteristic is not supported if the characteristic protocol is set to tributary.

5.2.3 Counter Attributes

creation time

Time at which this entity was created.

naks received indicating message header format error

Number of NAK messages received that report errors in message headers sent from the local station.

naks received indicating receive overrun

Number of NAK messages received that report a receive overrun at the remote station.

pdus received with message header format error

Number of times the local station detected an error in a message header.

receive overruns

Number of times the local station detected a receive overrun.

selection address errors

Number of times the controller of a multipoint link received a message with an address other than that of the currently selected station. This counter is supported only if the characteristic protocol is set to control.

streaming tributaries

Number of times the remote station (or a tributary station) exceeded the maximum transmission interval without releasing the line, or failed to release the line after sending a message with the `select` flag set. This counter is present only on half-duplex, point-to-point links, or when the local station is a controller of a multipoint link. This counter is not supported if the `protocol` characteristic is set to `tributary`.

transmit underruns

Number of times the local station detected a transmit underrun.

5.2.4 Identifier Attributes

name

Simple name assigned to the link when it is created.

5.2.5 Status Attributes

physical port

Name of the port entity in the Physical layer returned when the port is opened. If this is null, the port is not open.

state

State of the DDCMP link. The value of this attribute is determined by the `enable` and `disable` commands.

off The entity is disabled.

on The entity is enabled.

In addition, the link is disabled and its state is set to `off` if the Physical layer port that the link uses is deleted.

uid

Entity's unique identifier, which is generated when the entity is created.

5.2.6 Event Messages

pdu received with header format error

Generated each time the local station detects invalid fields in a received message, even though the message's CRC was correct. The errors that can generate this event are:

- Invalid `select` flag
- Invalid `addr` value
- `fill` fields not zero
- Invalid `control` type or `subtype` fields

Arguments:

address Address of the remote station that caused the event.

message header Message header that contains the error.

selection address error

Generated each time the controller of a multipoint link receives a message that contains an address other than that of the currently selected tributary. This event is supported only on half-duplex, point-to-point links, or if the `protocol` characteristic is set to `tributary`.

DDCMP Module (OpenVMS)

5.2 ddcmp link

Arguments:

current address	Address of the currently selected tributary station.
previous address	Address of the previously selected tributary station.
received address	Address contained in the received message.

streaming tributary

Records potential jamming of a line by a remote station. It is generated:

- When a remote station exceeds a maximum transmission interval without releasing the channel.
- When a remote station fails to release a channel after sending a message with the select flag set.
- When the jamming condition is cleared.

Arguments:

previous address	Address of the previously selected tributary station.
received address	Address contained in the message received after transmission should have ended. This argument is not present if no message is received.
type	Type of jamming that the local station detected, or indicates that jamming has now cleared.
continued transmission after deselection	The remote station continued to send information after it sent a message with the select flag set.
continued transmission after timeout	The remote station continued to send information after exceeding the maximum transmission interval.
streaming cleared	A previous streaming tributary error has been cleared.
streaming tributary	The remote station continued to send valid control messages or headers to data message after exceeding the maximum transmission interval.

5.2.7 Exception Messages

For create:

already exists

A ddcmp link entity already exists.

For delete:

cannot delete while subentities exist

Cannot delete while subentities exist.

wrong state

Failure to delete the ddcmp link entity because the link must be disabled before deletion.

For enable:

device constraint

The value of an attribute is not supported by the type of device used on the communications line. Modify the attribute to a suitable value, and retry the operation.

open physical port failed

The opening of the port in the Physical layer failed. The exception includes an argument that gives more information about the failure.

DDCMP Module (OpenVMS)

5.3 ddcmp link logical station

5.3 ddcmp link logical station

The ddcmp link logical station entity manages a link to a remote station. The *link-name* is the DDCMP link associated with the logical station and the *station-name* refers to the logical station managed by this command.

Syntax

```
create [node node-id] ddcmp link link-name logical station station-name
delete [node node-id] ddcmp link link-name logical station station-name
disable [node node-id] ddcmp link link-name logical station station-name
enable [node node-id] ddcmp link link-name logical station station-name

set [node node-id] ddcmp link link-name logical station station-name {active base integer | active
increment integer | address address | babble timer integer | buffer source source | dead
threshold integer | dying base integer | dying increment integer | dying threshold integer |
holdback timer integer | inactive base integer | inactive increment integer | inactive threshold
integer | maximum buffers integer | maximum transmit integer | polling state effect | transmit
timer integer | transmit window integer }

show [node node-id] ddcmp link link-name logical station station-name [all [attributes] | all
characteristics | all counters | all identifiers | all status ]
```

5.3.1 Characteristic Attributes

active base

Default: 255

Value: 0–255

Base priority to which an active tributary is reset after it has been polled.

This characteristic is supported only if the characteristic protocol of the owning ddcmp link entity is set to control.

active increment

Default: 0

Value: 0–255

Value to be added to the active tributary priority each time the scheduling timer expires.

This characteristic is supported only if the characteristic protocol of the owning ddcmp link entity is set to control.

address

Default: 1

Value: 1–255

Data link address of the remote station or tributary. You can modify this characteristic only when the entity is disabled.

babble timer

Default: 6000

Value: 1–65535

Time, in milliseconds, for which a selected tributary or remote station is allowed to transmit. This characteristic is not used on full-duplex links.

This characteristic is not supported if the characteristic protocol of the owning ddcmp link entity is set to tributary.

buffer source

Default: Implementation-specific **Value:** See description

Source of the receive buffers.

client supplied Buffers are provided by the client entity.

common pool Buffers are assigned from the common buffer pool.

This characteristic is supported only if the characteristic protocol of the owning ddcmp link entity is set to control. You can modify this characteristic only when the entity is disabled.

dead threshold

Default: 8 **Value:** 0–255

Number of times an active, inactive, or dying tributary is polled before its status attribute polling substate is changed to dead because of receive timeouts.

This characteristic is supported only if the characteristic protocol of the owning ddcmp link entity is set to control.

dying base

Default: 0 **Value:** 0–255

Base priority to which a dying tributary is reset after being polled.

This characteristic is supported only if the characteristic protocol of the owning ddcmp link entity is set to control.

dying increment

Default: 16 **Value:** 0–255

Value to be added to a dying tributary's priority each time the scheduling timer expires.

This characteristic is supported only if the characteristic protocol of the owning ddcmp link entity is set to control.

dying threshold

Default: 2 **Value:** 0–255

Number of times an active or inactive tributary is polled before its status attribute polling substate is changed to dying because of receive timeouts.

This characteristic is supported only if the characteristic protocol of the owning ddcmp link entity is set to control.

holdback timer

Default: 0 **Value:** 0–13000

Maximum time, in milliseconds, that the local station can delay acknowledging a received message if there is no data to send.

The value of this characteristic is linked to the retransmit timer used on the remote station. A suggested value is between 10% and 20% of that timer. However, the actual values you can use may be limited by the communications product.

DDCMP Module (OpenVMS)

5.3 ddcmp link logical station

The default value indicates that no holdback is used and the local station must acknowledge immediately.

inactive base

Default: 0 **Value:** 0–255

Specifies the priority to which an inactive tributary is reset after it has been polled.

This characteristic is supported only if the characteristic protocol of the owning ddcmp link entity is set to control.

inactive increment

Default: 64 **Value:** 0–255

Value to be added to an inactive tributary's priority each time the scheduling timer expires.

This characteristic is supported only if the characteristic protocol of the owning ddcmp link entity is set to control.

inactive threshold

Default: 8 **Value:** 0–255

Number of times an active tributary is polled before its status attribute polling substate is changed to inactive because of no data response.

This characteristic is supported only if the characteristic protocol of the owning ddcmp link entity is set to control.

maximum buffers

Default: 4 **Value:** Implementation specific

Maximum number of buffers that a tributary can use from the common buffer pool. A value of 0 means that there is no limit to the number of buffers that can be used. This characteristic is supported only if the buffer source characteristic is set to common pool.

This characteristic is supported only if the characteristic protocol of the owning ddcmp link entity is set to control. You can modify this characteristic only when the entity is disabled. Also, you can only increase the characteristic value.

maximum transmit

Default: 4 **Value:** 1–255

Maximum number of messages that a tributary or a remote half-duplex station can send at one time. The value of this characteristic must be greater than or equal to that of transmit window on the selected station.

This characteristic is not supported if either of the following conditions is true:

- The characteristic protocol of the owning ddcmp link entity is set to tributary.
- The communications link is full-duplex and point-to-point.

You cannot modify this characteristic.

polling state

Default: Automatic

Value: See description

Specifies the effect of the local station's polling algorithm on the state of a tributary. The value of this characteristic is reflected in the value of the status attribute polling substate.

active	The state is locked to active.
automatic	The state varies according to the operation of the polling algorithm.
dead	The state is locked to dead.
dying	The state is locked to dying.
inactive	The state is locked to inactive.

This characteristic is supported only if the characteristic protocol of the owning ddcmp link entity is set to control.

transmit timer

Default: 0

Value: 0–65535

Time, in milliseconds, that the local station waits between data transmissions.

This characteristic is supported only if the characteristic protocol of the owning ddcmp link entity is set to control.

transmit window

Default: 1

Value: 1–255

Maximum number of data messages that the local station can send without receiving an acknowledgment. This characteristic applies only when the remote station is a control station or on a half-duplex, point-to-point link. The value of this characteristic must be less than or equal to the equivalent of the maximum transmit characteristic on the control station or remote station.

5.3.2 Counter Attributes

buffers temporarily unavailable

Number of times the local station could not service messages from the remote station because there were no receive buffers available.

buffers too small

Number of times the local station could not service messages from the remote station because the receive buffers were not large enough.

creation time

Time at which this entity was created.

incomplete replies to select

Number of selection intervals that were not properly terminated (that is, by a message with the Select bit set in the header), during which a transmission was received or an attempt at transmission was detected.

This counter is supported only if the protocol characteristic of the owning ddcmp link entity is set to control, or when the link is a half-duplex, point-to-point link.

DDCMP Module (OpenVMS)

5.3 ddcmp link logical station

local reply timeouts

Number of times the local station failed to receive an acknowledgment before the reply timer expired.

locally initiated state changes

Number of times the station protocol state changed through action of the local station.

naks received indicating buffer too small

Number of times the remote station reported that it could not service a message because the receive buffer was not large enough.

naks received indicating buffers temporarily unavailable

Number of times the remote station reported that it could not service a message because no receive buffer was available.

naks received indicating data field block check error

Number of times the remote station reported that a block check error was detected in the data field of an incoming message.

naks received indicating header block check error

Number of times the remote station reported that a block check error was detected in the header block of an incoming message.

naks received indicating rep response

Number of times the remote station reported that it did not receive all the messages sent from the local station.

naks sent with rep response

Number of times the local station detected that not all of the messages sent from the remote station were received correctly.

no replies to select

Number of times the select timer expired for any of the following reasons:

- No valid control message was received.
- No valid header to a data message was received.
- No valid header to a maintenance message from the selected station was received.
- No transmission from the remote station was received.

This counter is supported only if the protocol characteristic of the owning ddcmp link entity is set to control, or when the link is a half-duplex, point-to-point link.

pdus received with data field check block error

Number of messages received with a check error in the data field.

pdus received with header block check error

Number of messages received with a check error in the header block.

receive error thresholds reached

Number of times the receive error threshold has been reached.

remote reply timeouts

Number of times the local station received a REP message and sent an acknowledgment in return. This sequence indicates that all messages sent from the remote station have been correctly received.

remotely initiated state changes

Number of changes in the station protocol state caused by action of the remote station.

sdu octets received

Number of data octets received from the remote station.

sdu octets sent

Number of data octets sent to the remote station.

sdus received

Number of data messages received from the remote station (not including retransmissions).

sdus sent

Number of data messages sent to the remote station (not including retransmissions).

selection error thresholds reached

Number of times the selection error threshold has been reached.

This counter is not supported if the characteristic protocol of the owning ddcmp link entity is set to tributary.

selection intervals

Number of times the local station selected the remote or a tributary station. The counter does not appear if the link uses the tributary protocol. In addition, the counter appears only when the local station is the control station for a number of tributaries, or is operating over a half-duplex, point-to-point link.

This counter is supported only if the protocol characteristic of the owning ddcmp link entity is set to control, or when the link is a half-duplex, point-to-point link.

send error thresholds reached

Number of times the send error threshold has been reached.

strts received while in maintenance

Number of times the local station received a STRT protocol message while in the Maintenance state.

5.3.3 Identifier Attributes

name

Simple name assigned to the link logical station when it is created.

DDCMP Module (OpenVMS)

5.3 ddcmp link logical station

5.3.4 Status Attributes

polling substate

State of a tributary as determined by the polling algorithm. This attribute applies only when the value of the link's protocol characteristic is set to control. The value of this attribute is affected by the value of the characteristic polling state. If the characteristic polling state is set to automatic, the value of this status attribute reflects the current state of the polling algorithm. For all other values of the polling state characteristic, the values of both attributes are the same.

active	The tributary is active and responds with data when selected.
dead	The tributary did not respond when selected within the appropriate timeout period, when already in the Dying or Inactive state. The tributary is ignored until the station reinitializes.
dying	The tributary, currently in the Inactive or Active state, has not responded within the appropriate timeout period when selected.
inactive	The tributary has not sent any data when selected by the control station. However, the tributary has responded with an appropriate message when selected.

protocol state

State of the data link protocol with the remote station.

halted	The protocol is stopped and no messages are being exchanged with the remote station.
maintenance	The protocol is off line and dealing with maintenance messages only.
running	The protocol is on line and exchanging messages with the remote station.
starting	There is an attempt to initialize the protocol between the local and remote stations. This uses the STRT and STACK PDUs.

state

Operational state of the local logical station.

off	The station is disabled.
on	The station is enabled.

uid

Entity's unique identifier, which is generated when the entity is created.

5.3.5 Event Messages

buffer too small

Generated each time a message is received whose data field is larger than the buffers available on the local station.

Arguments:

buffer size	Size of the receive buffer at the local station.
count	Size of the received data message as specified in the message header.

locally initiated state change

Generated each time the state of the local station changes as a result of action on the local node.

Arguments:

new state New value of the logical station's protocol state attribute.
old state Previous value of the logical station's protocol state attribute.

receive error threshold reached

Generated each time the number of consecutive receive-related errors reaches the receive error threshold limit of 7.

remotely initiated state change

Generated each time the state of the link changes as a result of action on the remote node.

Arguments:

new state New value of the logical station's protocol state attribute.
old state Previous value of the logical station's protocol state attribute.

selection error threshold reached

Generated each time the number of consecutive selection-related errors reaches the selection error threshold limit of 7. This event is supported only when the protocol characteristic of the owning ddcmp link entity is set to control, or when the link is half-duplex, point-to-point.

send error threshold reached

Generated each time the number of consecutive transmit-related errors reaches the transmit error threshold limit of 7.

strt received while in maintenance

Generated each time a strt message is received while the value of the status attribute protocol state of the local station is set to maintenance.

5.3.6 Exception Messages

For create:

already exists

A ddcmp link logical station entity already exists.

maximum stations exceeded

The station cannot be created because there are already the maximum stations defined for this link. This can occur when there is already one logical station defined for that link.

For delete:

wrong state

Failure to delete the DDCMP link logical station because the logical station must be disabled before deletion.

DDCMP Module (OpenVMS)

5.4 ddcmp port

5.4 ddcmp port

A `ddcmp port` entity represents an access point to the Data Link layer service offered by `ddcmp`. Ports are created and deleted automatically when a client of `ddcmp` uses the link. The *port-name* refers to the port managed by this command.

Syntax

```
show [node node-id] ddcmp port port-name [all [attributes] | all identifiers | all status ]
```

5.4.1 Identifier Attributes

name

Simple name assigned to the port when it is created.

5.4.2 Status Attributes

client

Name of the client entity.

link

Name of the DDCMP link that the client is using.

logical station

Name of the DDCMP link logical station supplied by the client when the port was opened.

state

State of the port.

call attached

The port is assigned to a client and the link is associated with the current call on the line. Applies only when the link operates over a switched line.

open

The port is assigned to a client.

open disabled

The port is assigned to a client, but the link or logical station entity used by the port is disabled.

type

Type of port.

normal

For normal data communications.

service

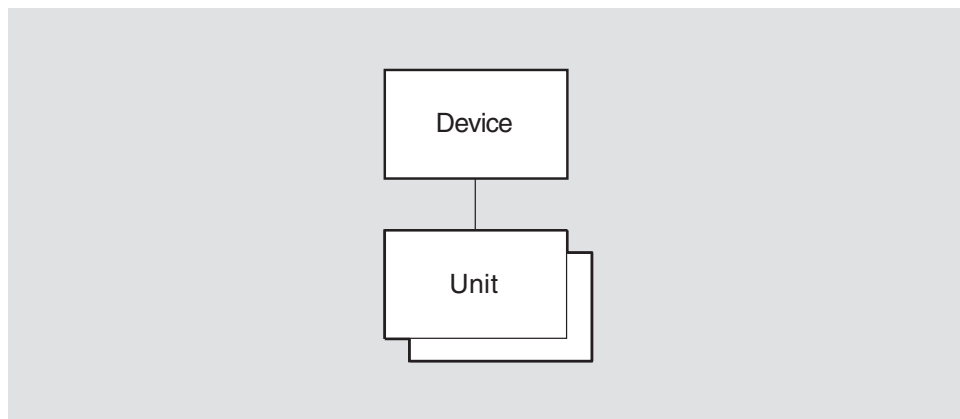
For service operations. This is the value that modules such as MOP would use.

Device Module

This chapter describes all the commands you can use to manage the entities that constitute the Device module. The Device module provides management of physical devices attached to a network system that must load microcode from a host system before it is operational.

Figure 6–1 shows the hierarchical relationship of the entities that constitute the Device module.

Figure 6–1 Hierarchy of Device Module Entities



LKG-4547-92R

Device Module

6.1 device

6.1 device

The `device` entity is the top-level entity in the hierarchy of entities belonging to the Device module.

Syntax

```
create [node node-id] device
```

```
delete [node node-id] device
```

```
show [node node-id] device [all [attributes] | all characteristics | all status ]
```

6.1.1 Characteristic Attributes

version

Version of the device architecture to which the implementation conforms. You cannot modify this characteristic.

6.1.2 Status Attributes

uid

Entity's unique identifier, which is generated when the entity is created.

6.1.3 Exception Messages

For create:

already exists

A device entity already exists.

For delete:

has children

Cannot delete while subentities exist.

6.2 device unit

The `device unit` entity controls the loading and dumping of microcode for a specific communications device. The *simple-name* refers to the device unit managed by this command.

Syntax

```
create [node node-id] device unit simple-name name device-name
delete [node node-id] device unit simple-name
dump [node node-id] device unit simple-name
enable [node node-id] device unit simple-name
load [node node-id] device unit simple-name
set [node node-id] device unit simple-name {auto load boolean | dump destination filespec | dump on
error boolean | load source filespec }
show [node node-id] device unit simple-name [all [attributes] | all characteristics | all counters | all
identifiers | all status ]
```

6.2.1 Commands

dump

Dumps the device corresponding to the unit subentity.

load

Loads the device corresponding to the unit subentity.

6.2.2 Arguments

name *device-name*

The physical device this device unit entity controls.

6.2.3 Characteristic Attributes

auto load

Default: True

Value: True or false

Specifies whether the device should try to load its microcode without management intervention. Autoloading would occur after initialization, a failure, or a dump.

device

Physical device to which this device unit entity is related. The value of this characteristic is a copy of the name argument specified when this entity is created.

dump destination

Default: None

Value: File specification

File specification to hold the contents of the device's microcode when a dump occurs.

dump on error

Default: False

Value: True or false

Whether a device should try to dump its microcode after a device failure. Set this characteristic only for those devices that support the dump operation.

Device Module

6.2 device unit

load source

Default: None

Value: File specification

File specification that contains the device's microcode. This is used during a load operation.

6.2.4 Counters

creation time

Time at which this entity was created.

device failures

Number of times the unit has failed.

failed dumps

Number of times an attempt to dump the device's microcode has failed.

failed loads

Number of times an attempt to load the device's microcode has failed.

forced dumps

Number of times the dump command has been used to force the device to dump its microcode.

forced loads

Number of times the load command has been used to load the device's microcode.

successful dumps

Number of times the device has successfully dumped its microcode.

successful loads

Number of times the device has successfully loaded its microcode.

6.2.5 Identifier Attributes

name

Simple name assigned to the device unit when it is created.

6.2.6 Status Attributes

firmware identifier

Implementation-specific string that identifies the firmware loaded into a device.

operational communication port (OpenVMS)

Specifies which channels of a multiple-line device unit are determined to be working by the module self-test. Each name identifies a working device communication port. Channels that are not named are not operational.

state

Current state of the communications device.

disabled

The device unit entity has been created, but an enable directive has not yet been issued.

dump failed

An attempt to dump the device's microcode has failed. This value appears only if the characteristic auto load is false.

dumping

An attempt to dump the device's microcode is in progress.

load failed	An attempt to load the device's microcode has failed. This value appears only if auto load is false.
loading	An attempt to load the device's microcode is in progress.
running	The device's microcode has been loaded and the device is ready to send and receive data.
stopped	This state can occur in one of the following circumstances: <ul style="list-style-type: none">• The device entity unit has been enabled and auto load is false.• The device has been reinitialized by the system.• The device failed, a dump operation has completed (the characteristic auto dump is true, but the characteristic auto load is false.)

uid
Entity's unique identifier, which is generated when the entity is created.

6.2.7 Event Messages

device failure
Generated each time a failure is detected on a device.

Arguments:

failure reason	Reason for the device failure. The values of this argument are implementation specific.
firmware identifier	Identifier of the device's microcode.
next state	Next state of the device. This depends on the values of the auto load and dump on error characteristics.
dumping	The entity will try to dump the device's microcode.
loading	The entity will try to load the device's microcode.
stopped	The entity will stop, awaiting a dump or load command.

Device Module

6.2 device unit

failed dump

Generated each time there is a failure to dump the device's microcode.

Arguments:

dump destination	Destination that the dump operation used.
dump reason	Reason for the dump failure.
directive	In response to a dump command.
failure	In response to a device failure while in the running state.
failure reason	Reason why the dump failed. The values of this argument are device specific.

failed load

Generated each time there is a failure to load the device's microcode.

Arguments:

failure reason	Reason for the load failure. The values of this argument are device dependent.
load reason	Reason for the load operation.
directive	In response to a load command.
dump	After completion of a dump operation.
failure	After a device failure.
initial	Initial loading of the device at device unit enable when auto load is true.
load source	Source used to retrieve the microcode during the load operation.

successful load

Generated each time the device's microcode is loaded successfully.

Arguments:

firmware identifier	Firmware identifier of the loaded microcode.
load reason	Reason for the load operation.
directive	In response to a load command.
dump	After completion of a dump operation.
failure	After a device failure.
initial	Initial loading of the device at device unit enable when auto load is true.
load source	Source used to retrieve the microcode during the load operation.

6.2.8 Exception Messages (OpenVMS)

For dump:

dump failure

The dump operation failed.

illegal dump destination

The value of the dump destination characteristic is not a valid file specification. Check the value of the character, correct as necessary, and reissue the dump command.

For load:

illegal load source

The value of the load source characteristic is not a valid file specification. Check the value of the characteristic, correct as necessary, and reissue the load command.

load failure

The load operation failed.

DECdns Modules

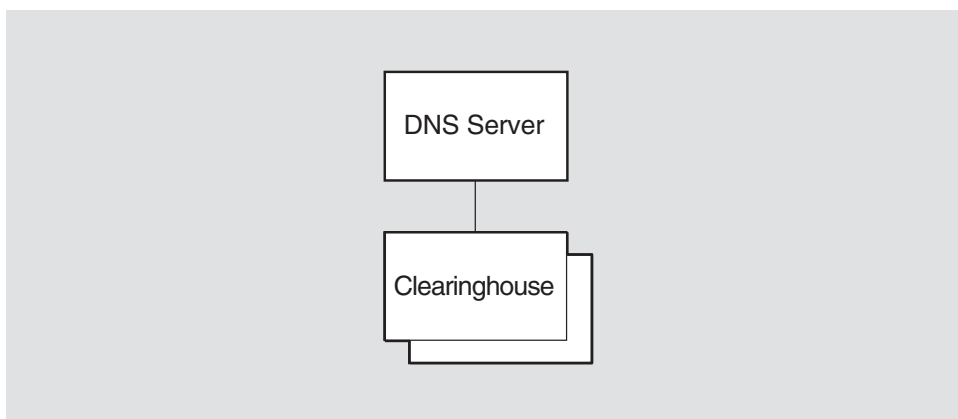
The HP DECnet-Plus Distributed Name Service (DECdns) is a networkwide service that makes it possible to use network resources without having to know their physical location. DECdns has two NCL modules: DNS Server and DNS Clerk.

7.1 DNS Server Module

The DNS Server module maintains a distributed database for use by the client modules on other nodes of the network. The responsibilities of this entity include responding to lookup requests, managing the namespace, and updating object entries.

Figure 7–1 shows the hierarchical relationship of entities that constitute the DNS Server module.

Figure 7–1 Hierarchy of DNS Server Module Entities



LKG-5113-92R

Note

You can manage the DECdns entities from either NCL or the DECdns Control Program (DNSCP). The commands are the same for both interfaces and are documented in the *HP DECnet-Plus for OpenVMS DECdns Management* guide.

DECdns Modules

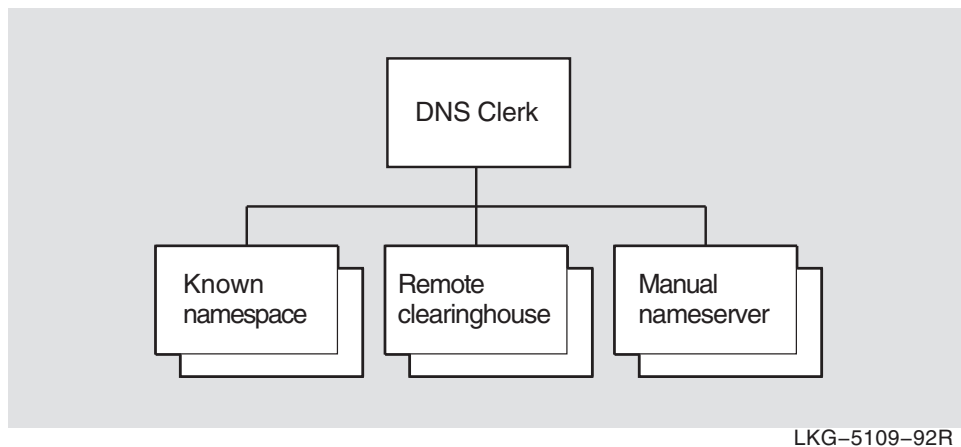
7.2 DNS Clerk Module

7.2 DNS Clerk Module

The DNS Clerk is the module of the DIGITAL Network Architecture (DNA) Naming Service that interfaces directly with client applications. A clerk module is required on every DECnet-Plus node whether or not that node also functions as a DECdns name server. The clerk is created during configuration of the network software.

Figure 7–2 shows the hierarchical relationship of entities that constitute the DNS Clerk module.

Figure 7–2 Hierarchy of DNS Clerk Module Entities



Note

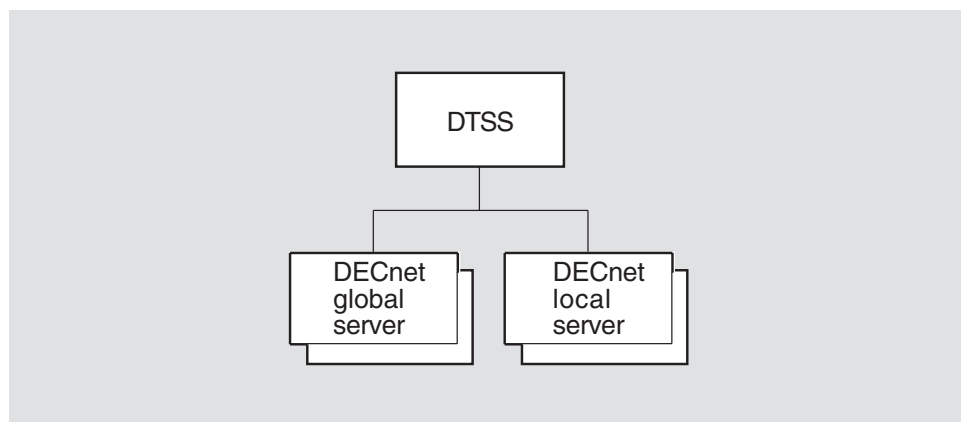
You can manage the DECdns entities from either NCL or the DECdns Control Program (DNSCP). The commands are the same for both interfaces and are documented in the *HP DECnet-Plus for OpenVMS DECdns Management* guide.

DECdts Module

The HP DECnet-Plus Distributed Time Service (DECdts) is a networkwide time service that enables you to synchronize and manage the system clocks in a distributed network.

Figure 8–1 shows the hierarchical relationship of the entities that constitute the DECdts module.

Figure 8–1 Hierarchy of DECdts Module Entities



LKG-5771-91R

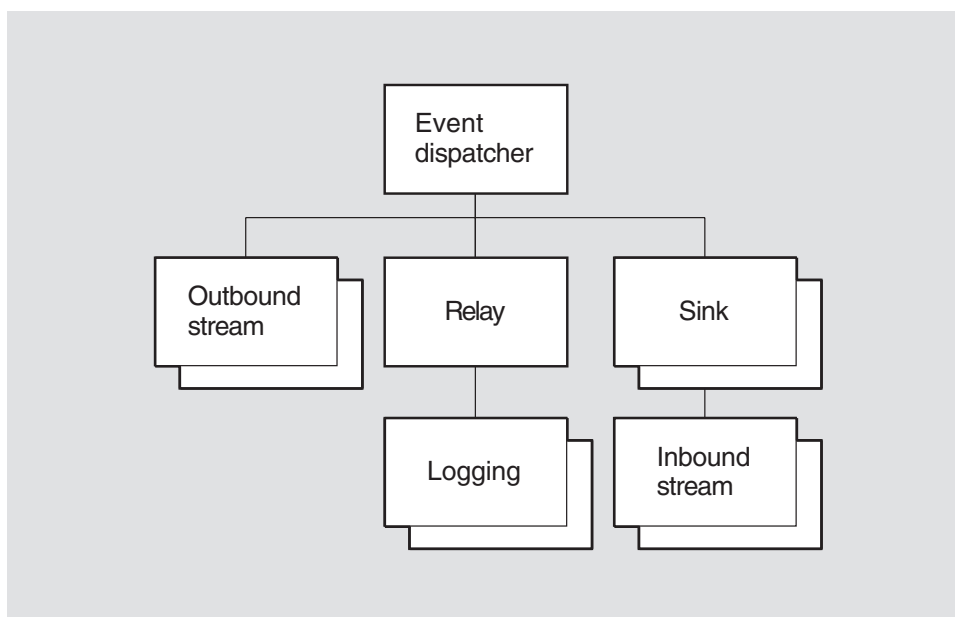
For a complete description of the DECdts NCL management interface, see *HP DECnet-Plus for OpenVMS DECdts Management*.

Event Dispatcher Module

This chapter describes all the commands you can use to manage the entities that constitute the Event Dispatcher module. The event dispatcher is an integral component of the DIGITAL Network Architecture (DNA) that processes events generated by entities in the network. Each component layer architecture of the Phase V DNA architecture, such as Routing, NSP, and ISO Transport, may define certain occurrences, actions, transitions, or conditions as events that are reported and may be logged to assist network or system management. The Event Dispatcher module allows these conditions to be logged and monitored to allow a system manager to view the state of the network. Individual messages are listed and described throughout this manual with the entities that produce them.

Figure 9–1 shows the hierarchical relationship of the entities that constitute the Event Dispatcher module.

Figure 9–1 Hierarchy of Event Dispatcher Module Entities



LKG-7342-92R

Event Dispatcher Module

9.1 event dispatcher

9.1 event dispatcher

The event dispatcher entity is the top-level entity in the hierarchy of entities belonging to the Event Dispatcher module. Each DNA node must implement an event dispatcher.

Syntax

create [node *node-id*] event dispatcher

disable [node *node-id*] event dispatcher

enable [node *node-id*] event dispatcher

show [node *node-id*] event dispatcher [all [attributes] | all characteristics | all counters | all status]

test [node *node-id*] event dispatcher

9.1.1 Commands

test

The `test` command is used by the manager to request that an event be logged to test the entire event logging subsystem. This directive tests the complete event logging system from entity to manager and causes the test requested event to be logged.

9.1.2 Characteristic Attributes

DNA version

Default: Current version number

Version number of the DNA event-logging architecture specification to which the implementation conforms. You cannot modify this characteristic.

9.1.3 Counter Attributes

creation time

Time at which this entity was created.

events lost

Number of events lost at the event dispatcher queue.

test requested (Tru64 UNIX)

Number of events being generated with the `test` directive.

9.1.4 Status Attributes

state

Status of the event dispatcher entity.

off The event dispatcher entity is disabled.

on The event dispatcher entity is enabled.

uid

Entity's unique identifier, which is generated when the entity is created.

9.1.5 Event Messages

events lost

Generated whenever the event dispatcher cannot allocate resources to queue more events for processing. The event-logging function guarantees that this event cannot be lost. Also, you cannot block this event unless all events for all modules are blocked.

This event is placed at the end of the queue. If another event cannot be queued because of resource limitations while this event is still the last event in the queue, the `number` argument is updated to reflect the latest total of lost events.

Argument:

number Number of consecutive events lost.

test requested

Logged when the `test` directive is issued.

9.1.6 Exception Messages (Tru64 UNIX)

For `enable`:

children in wrong state

Another Event Dispatcher module entity is still enabled. Retry the command after you have disabled all of these entities:

- event dispatcher outbound stream
- event dispatcher relay
- event dispatcher relay logging
- event dispatcher sink
- event dispatcher sink inbound stream

Event Dispatcher Module

9.2 event dispatcher outbound stream

9.2 event dispatcher outbound stream

An event dispatcher outbound stream entity represents an outgoing connection to a sink on a local or remote node. An outbound stream entity manages the connection to the sink, and it filters, processes, and transmits events to the sink.

Syntax

```
block [node node-id] event dispatcher outbound stream stream-name {global filter class-name,  
    event-name | specific filter instance-name, event-name }  
  
connect [node node-id] event dispatcher outbound stream stream-name  
  
create [node node-id] event dispatcher outbound stream stream-name [maximum buffer size integer]  
  
delete [node node-id] event dispatcher outbound stream stream-name  
  
disable [node node-id] event dispatcher outbound stream stream-name method method  
  
disconnect [node node-id] event dispatcher outbound stream stream-name  
  
enable [node node-id] event dispatcher outbound stream stream-name  
  
ignore [node node-id] event dispatcher outbound stream stream-name {global filter class-name,  
    event-name | specific filter instance-name, event-name }  
  
pass [node node-id] event dispatcher outbound stream stream-name {global filter class-name,  
    event-name | specific filter instance-name, event-name }  
  
reset [node node-id] event dispatcher outbound stream stream-name  
  
set [node node-id] event dispatcher outbound stream stream-name {catch all filter action | connect  
    retry timer integer | connect timer enabled boolean | disconnect timer integer | sink address  
    sink-address-tower | sink end user end-user-spec | sink node full-name | sink object full-name |  
    template simple-name (Tru64 UNIX) }  
  
show [node node-id] event dispatcher outbound stream stream-name [all [attributes] | all characteristics  
    | all counters | all identifiers | all status ]  
  
shutdown [node node-id] event dispatcher outbound stream stream-name  
  
testevent [node node-id] event dispatcher outbound stream stream-name event instance-name,  
    event-name
```

9.2.1 Commands

block

Sets the filters to block the specified events for the entity instance or class. It causes the named events to be blocked.

connect

Causes the outbound stream entity to request a connection to its sink partner. This directive causes the entity to issue a single session connect request to its sink partner, unless the state is already OnConnected, in which case the directive has no effect and returns the success response.

disconnect

Disconnects the outbound stream connection to its sink partner. The disconnect directive aborts the entity's outbound stream connection to the sink.

ignore

Sets the filters to ignore the specified events for the entity instance or class. The ignore directive causes the named events to be ignored.

pass

Sets the filter to pass the specified events for the entity instance or class. The pass directive causes the named events to be passed.

reset

Resets the catch all, specific and global filters to the default value. It causes these filters to be reset to the values they had when the entity was created. It is equivalent to setting the values for these filters to their defaults.

shutdown

Requests an orderly shutdown of the connection to the sink partner. The shutdown directive attempts an orderly shutdown of the connection in cooperation with the sink.

testevent

Tests the filter action state for the specified event. This directive applies the filtering algorithm to the named event instance returning the applicable FilterAction, and an indication of whether the search was resolved by the specific filter, global filter, or catch all filter attribute.

9.2.2 Arguments

global filter *class-name, event-name*

Specifies a global event filter. The *class-name* variable specifies a class name, excluding all instance names (for example, *node, mop, circuit*), The *event-name* variable identifies the event to be blocked, ignored, or passed. To block, ignore, or pass all events for the class, specify *all* instead of an individual event.

maximum buffer size *integer*

Optional argument that specifies the maximum number of octets to be used for event processing of this stream. The current value is displayed in the *buffer size status* attribute. You can specify a size smaller than the implementation's default, provided it is still sufficient to hold the events lost event. HP recommends that you use the default buffer size.

method *method*

Specifies whether an existing connection should be aborted immediately or shut down in an orderly fashion.

abort The stream calls the disconnect operation to abort the connection immediately. (This process is described under the *disconnect* command.)

orderly The stream calls the shutdown operation to perform an orderly shutdown of the connection. (This process is described under the *shutdown* command.) The default method is *orderly*.

specific filter *instance-name, event-name*

Specifies a specific event filter. The *instance-name* variable specifies a full entity name, including the node name and including a specific instance (for example, *(node usa: .wmass.ashfld mop circuit una-0)*), The *event-name* variable identifies the event to be blocked, ignored, or passed. To block, ignore, or pass all events for the class, specify *all* instead of an individual event.

Event Dispatcher Module

9.2 event dispatcher outbound stream

9.2.3 Characteristic Attributes

catch all filter

Default: Pass

Value: Block or pass

Action to take if neither the specific filter nor the global filter contains an entry that matches an event.

block Discard the event.

pass Report the event.

connect retry timer

Default: 120

Value: 0–65535

Number of seconds to wait after a disconnect or connection reject before reattempting a connection. Connection attempts continue until a connection is made or until the connect timer enabled attribute is set to false or the outbound stream is disabled. If the outbound stream is already connected to the sink when the timer expires, no connection is attempted at that time. The timer resets and connection attempts continue whenever the timer expires.

connect timer enabled

Default: True

Value: True or false

Specifies whether the connect timer is operational (see connect retry timer).

disconnect timer

Default: 0; see description

Value: 0–4294967295

Number of seconds to wait before disconnecting an idle connection. Zero indicates that there is no disconnect timer and connections are never automatically disconnected.

global filter

Current global filter as it has been constructed by block, ignore, and pass commands for this stream. By default, the global filter is set to block all events for the following entities: event dispatcher, event dispatcher sink, and event dispatcher sink inbound stream and to pass all events for the event dispatcher outbound stream entity. You cannot modify this characteristic.

sink address

Default: No address

Value: Sink address tower set

Sink address tower for this stream. Modifying this characteristic affects only subsequent connect requests; existing connections are unaffected.

sink end user

Default: Number = 82

Value: End-user-specification

Sink Session Control end-user specification for this stream.

sink node

Default: Local node

Value: Full-name

Full DNS node name of the sink for this stream. Modifying this characteristic affects only subsequent connect requests; existing connections are unaffected.

Event Dispatcher Module

9.2 event dispatcher outbound stream

This full name is used in combination with the sink end user characteristic to establish the sink connection.

sink object

Default: No sink object

Value: Full-name

Full DNS object name of the sink for this stream. Modifying this characteristic affects only subsequent connect requests; existing connections are unaffected. This full name should match the object name characteristic of the target sink.

specific filter

Default: No specific filter

Current specific filter setting as constructed by `block`, `ignore` and `pass` commands for this stream. You cannot modify this characteristic.

template (Tru64 UNIX)

Default: No template

Value: Simple-name

Transport template (see `osi transport template`) for this stream's connections.

9.2.4 Counters Attributes

confidence changes

Number of times the confidence variable has changed while connections were in the open state.

connect requests

Number of times a connection to a remote node was requested by this stream, either by an explicit command or by the connection timer.

connections accepted

Number of times an outbound connection request was accepted by the sink partner.

creation time

Time at which this entity was created.

disabled

Number of disable events for this stream.

enabled

Number of enable events for this stream.

events lost

Number of events lost because of outbound stream buffer overrun.

filter changes

Number of times the filter has changed.

shutdowns

Number of times a shutdown command or operation was issued.

Event Dispatcher Module

9.2 event dispatcher outbound stream

9.2.5 Identifier Attributes

name

Simple name assigned to the outbound stream when it was created.

9.2.6 Status Attributes

buffer size

Maximum number of octets allowed for event processing of this stream. This value is defined in the `create` command for the stream.

state

Status of the outbound stream.

off The stream is disabled.

on The stream is enabled.

onconnected The stream is enabled and has an established connection.

onconnecting The stream is enabled and is in the process of establishing a connection.

ondisconnecting The stream is enabled, but is in the process of disconnecting from a connection.

onshutdownrequested The stream is enabled and has an established connection, but is in the process of shutting down; the stream will disconnect after it transmits all events that were outstanding when the `shutdown` command was issued.

uid

Entity's unique identifier, which is generated when the entity is created.

9.2.7 Event Messages

change confidence

Generated each time the transport service detects a change in the connection's confidence value. (The confidence value indicates whether the Transport layer expects a transmit operation to succeed.) This event suggests a change in the connectivity between the outbound stream and the sink.

Argument:

confidence New transport confidence value.

false It is unlikely that a transmit operation would succeed under the current circumstances.

true It is likely that a transmit operation would succeed under the current circumstances.

change filter

Generated each time the filter for a stream is changed, whether it is changed by a `block`, `ignore`, or `pass` command or by using `set` to change the value of the `catch all filter` characteristic. The initial values of the filters for a stream are reported as arguments in the `enable stream` event. A filter change event is filtered according to its new values.

Arguments: (for OpenVMS)

new catch all filter Current catch-all filter setting.

new global filter Current global filter setting.

Event Dispatcher Module

9.2 event dispatcher outbound stream

new specific filter Current specific filter setting.
old catch all filter Previous catch-all filter setting.
old global filter Previous global filter setting.
old specific filter Previous specific filter setting.

disable

Generated each time an outbound stream is disabled by a `disable` command.

disconnect

Generated each time a connection is closed on an outbound stream. The disconnect can be caused by the event dispatcher closing idle connections, a management command, a network failure, a sink crash, or a sink disconnect.

Arguments:

disconnect data Identifies the cause of the disconnect.

0	remote disconnect
2	shutdown requested (OpenVMS)
3	management directive

reason Session Control layer reason for the disconnect.

enable

Generated each time an outbound stream is enabled by an `enable` command.

Arguments:

catch all filter Value of the catch-all filter when the stream is enabled.
global filter (optional) Value of the global filter when the stream is enabled.
specific filter (optional) Value of the specific filter when the stream is enabled.

events lost

Generated whenever the outbound stream cannot allocate resources for event transmission. The event-logging function guarantees that this event cannot be lost. Also, you cannot block this event unless all events for all modules are blocked.

This event is placed at the end of the queue. If another event cannot be queued because of resource limitations while this event is still the last event in the queue, the number argument is updated to reflect the latest total of lost events.

Argument:

number Number of consecutive events lost.

shutdown

Generated each time a shutdown operation results in an orderly disconnect. You cannot block shutdown events for an outbound stream.

Arguments:

reason canceled The shutdown was "neutralized" by an intervening disconnect; therefore, the receiver should not shut down.

Event Dispatcher Module

9.2 event dispatcher outbound stream

disconnect timer	The shutdown was caused by the disconnect timer.
disable directive	The shutdown was caused by a disable command that specified an orderly shutdown.
shutdown directive	The shutdown was caused by a shutdown command.

9.2.8 Exception Messages

For connect:

connection failed

The connection attempt failed. The exception may include additional arguments that give more information about the failure.

Arguments:

reason	The connection failed at the Session Control layer.
data	This field can include optional data that describes the reason the connection attempt failed.

no sink specified

All of the sink specifier attributes are null.

wrong state

The operation failed because the entity was not in *off*, *onconnecting*, or *ondisconnecting* state.

For block and ignore:

illegal block

The attempted block operation is illegal; for example, the command attempted to block the event dispatcher outbound stream events lost or shutdown events.

illegal element

The command did not include a class-name or instance-name argument, or an argument contained one of the following illegal elements: wildcard, node name, node class, illegal class.

For delete:

wrong state

The operation failed because the entity was not in an *off* state.

For disable:

incomplete

Orderly disable could not be completed due to lack of transport confidence.

9.3 event dispatcher relay

The event dispatcher relay entity processes events from Phase IV DECnet-Plus systems. It receives Phase IV format events and posts them into the DECnet-Plus logging system.

Syntax

```
create [node node-id] event dispatcher relay
delete [node node-id] event dispatcher relay
disable [node node-id] event dispatcher relay
enable [node node-id] event dispatcher relay
show [node node-id] event dispatcher relay [all [attributes] | all status ]
```

9.3.1 Status Attributes

state

Status of the event dispatcher relay entity.

off The event dispatcher relay entity is disabled.

on The event dispatcher relay entity is enabled.

9.3.2 Exception Messages

For delete:

entity has children

Cannot delete while subentities exist.

wrong state

Failure to delete the event dispatcher relay entity because the relay must be disabled before deletion.

Event Dispatcher Module

9.4 event dispatcher relay logging

9.4 event dispatcher relay logging

Three event dispatcher relay logging entities are created and enabled automatically whenever an event dispatcher relay entity is enabled. The logging entities (console, file, and monitor) control the destination of Phase IV events. Each logging entity can be disabled and reenabled individually. All three logging entities are deleted automatically when the Phase IV relay entity is disabled.

Syntax

disable [node *node-id*] event dispatcher relay logging *logging-name*

enable [node *node-id*] event dispatcher relay logging *logging-name*

show [node *node-id*] event dispatcher relay logging *logging-name* [all [attributes] | all counters | all identifiers | all status]

9.4.1 Counter Attributes

creation time

Time at which this entity was created.

events relayed

Number of Phase IV events relayed for this logging type.

9.4.2 Identifier Attributes

name

Logging type is console, monitor, or file.

9.4.3 Status Attributes

state

Status of the event dispatcher relay logging entity.

off The event dispatcher logging entity is disabled.

on The event dispatcher logging entity is enabled.

uid

Entity's unique identifier, which is generated when the entity is created.

9.4.4 Event Messages

event relayed

Generated whenever a Phase IV event is received. It relays the Phase IV event into the DECnet-Plus Event Logging Architecture. The entire DECnet-Plus NICE message is encapsulated into the NICE (Network Information and Control Exchange) data argument.

Argument:

NICE data Phase IV event display

9.5 event dispatcher sink

An event dispatcher sink entity represents a sink. A sink manages incoming connections and filters incoming events. Each sink maintains a filter that is applied to all streams that are assigned to that sink.

Syntax

```
block [node node-id] event dispatcher sink sink-name {global filter class-name, event-name | specific
  filter instance-name, event-name }

create [node node-id] event dispatcher sink sink-name maximum buffer size integer

delete [node node-id] event dispatcher sink sink-name

disable [node node-id] event dispatcher sink sink-name

enable [node node-id] event dispatcher sink sink-name

ignore [node node-id] event dispatcher sink sink-name {global filter class-name, event-name | specific
  filter instance-name, event-name }

pass [node node-id] event dispatcher sink sink-name {global filter class-name, event-name | specific
  filter instance-name, event-name }

reset [node node-id] event dispatcher sink sink-name

set [node node-id] event dispatcher sink sink-name {catch-all filter action | client type sink-type |
  description latin1string | device name filespec | displayuids boolean | end user end-user-spec |
  file name filespec | object name full-name | template simple-name | user client end-user-spec }

show [node node-id] event dispatcher sink sink-name [all [attributes] | all characteristics | all counters
  | all identifiers | all status ]

testevent [node node-id] event dispatcher sink sink-name event instance-name, event-name
```

9.5.1 Commands

block

Sets the filters to block the specified events for the entity instance or class. It causes the named events to be blocked.

ignore

Sets the filters to ignore the specified events for the entity instance or class. The ignore directive causes the named events to be ignored.

pass

Sets the filter to pass the specified events for the entity instance or class. The pass directive causes the named events to be passed.

reset

Resets the catch-all, specific and global filters to the default value. It causes these filters to be reset to the values they had when the entity was created. It is equivalent to setting the values for these filters to their defaults.

testevent

Tests the filter action state for the specified event. This directive applies the filtering algorithm to the named event instance returning the applicable FilterAction, and an indication of whether the search was resolved by the SpecificFilter, GlobalFilter, or CatchAllFilter attribute.

Event Dispatcher Module

9.5 event dispatcher sink

9.5.2 Arguments

global filter *class-name, event-name*

Specifies a global event filter. The *class-name* variable specifies a class name, excluding all instance names (for example, *node, mop, circuit*), The *event-name* variable identifies the event to be blocked, ignored, or passed. To block, ignore, or pass all events for the class, specify *all* instead of an individual event.

maximum buffer size *integer*

This optional argument specifies the maximum number of octets to be used for event processing of this sink. The current value is displayed in the buffer size status attribute. You can specify a size smaller than the implementation's default, provided it is still sufficient to hold the events lost event. If the value specified in this argument is inadequate for the events lost event, an insufficient resources exception is returned.

specific filter *instance-name, event-name*

Specifies a specific event filter. The *instance-name* variable specifies a full entity name, including the node name and including a specific instance (for example, *(node usa:.wmass.ashfld mop circuit una-0)*), The *event-name* variable identifies the event to be blocked, ignored, or passed. To block, ignore, or pass all events for the class, specify *all* instead of an individual event.

9.5.3 Characteristic Attributes

catch all filter

Default: Pass

Value: Block or pass

Specifies the action to take if neither the specific filter setting nor the global filter setting matches an event or if a filter setting that does match an event is set to Ignore.

block Discard the event.

pass Report the event.

client type

Default: Console

Value: See description

Specifies the application to accept the events received by the sink. This can only be set when the event dispatcher sink entity is disabled (when the sink state is off).

console Events go to the operator's console.

device Events go to a device (refer to the device name characteristic).

file Events go to a file (refer to the filename characteristic).

description

Default: Null

Value: Latin1String

Application description string.

device name

Default: Null

Value: Latin1String

Name of the device to which events are going to be logged, if the *client type* of the sink is *device*.

displayuids

Default: True **Value:** Boolean

A Boolean value indicating whether to include the UIDs when displaying an event.

end user

Default: Number = 82 **Value:** End-user-specification

Sink Session Control end-user specification for this sink. For Tru64 UNIX, do not modify this characteristic.

file name

Default for Tru64 UNIX: /usr/adm/event_file **Value:** File specification

Default for OpenVMS: SYS\$MANAGER:NET\$EVD_
SINK_sinkname.LOG **Value:** File specification

Name of the file to which events are going to be logged if the *client type* of the sink is file.

global filter

Current global filter as it has been constructed by block, ignore, and pass commands for this sink. By default, the global filter is set to block all events for the following entities: event dispatcher, event dispatcher sink, and event dispatcher sink inbound stream. You cannot modify this characteristic.

object name

Default: No sink object **Value:** Full-name

Full DNS object name of the sink. Modifying this characteristic affects only subsequent connect requests; existing connections are unaffected.

specific filter

Default: No specific filter

Current specific filter setting as constructed by block, ignore and pass commands for this sink. You cannot modify this characteristic.

template (Tru64 UNIX)

Default: No template **Value:** Simple-name

Transport template (see the *osi transport template* entity) for this sink's connections.

user client (Tru64 UNIX)

Default: Null **Value:** End-user-specification

Session Control end-user specification for a user program that has been set to receive events.

Event Dispatcher Module

9.5 event dispatcher sink

9.5.4 Counter Attributes

creation time

Time this entity was created.

connections accepted

Number of times a sink connection request was accepted by the sink partner.

events filtered

Number of events for this sink that were filtered by its sink filter.

events lost

Number of events lost due to sink queue overflow.

filter changes

Number of times the filter has changed.

9.5.5 Identifier Attributes

name

Simple name assigned to the sink when it is created.

9.5.6 Status Attributes

buffer size

Maximum number of octets allowed for event processing of this sink. This value is defined in the `create` command for the sink. This value is limited by the value specified in the `maximum buffer size` argument of the `create` command.

state

Status of the sink.

off The sink is disabled.

on The sink is enabled.

uid

Entity's unique identifier, which is generated when the entity is created.

9.5.7 Event Messages

change filter

Generated each time the filter for a sink is changed, whether it is changed by a `block`, `ignore`, or `pass` command or by using `set` to change the value of the `catch all filter` characteristic. The initial values of the filters for a sink may be reported as arguments in the `enable sink` event. A filter change event is filtered according to its new values.

Arguments: (for OpenVMS)

new catch all filter Current catch-all filter setting.

new global filter Current global filter setting.

new specific filter Current specific filter setting.

old catch all filter Previous catch-all filter setting.

old global filter Previous global filter setting.

old specific filter Previous specific filter setting.

events lost

Generated whenever the sink cannot allocate resources for event transmission. The event-logging function guarantees that this event cannot be lost. Also, you cannot block this event unless all events for all modules are blocked.

This event is placed at the end of the queue. If another event cannot be queued because of resource limitations while this event is still the last event in the queue, the number argument is updated to reflect the latest total of lost events.

Argument:

number Number of consecutive events lost.

9.5.8 Exception Messages

For delete (Tru64 UNIX):

has children

Cannot delete while subentities exist.

wrong state

The attempt to delete the event dispatcher sink entity failed because the sink must be disabled before deletion.

For block, pass, and ignore:

illegal element

The command did not include a class or instance argument, or an argument contained one of the following illegal elements: wildcard, node name, node class, illegal class.

For enable:

invalid name

Invalid name for DNA session.

Event Dispatcher Module

9.6 event dispatcher sink inbound stream

9.6 event dispatcher sink inbound stream

The event dispatcher sink inbound stream entity is the sink-side end of communication between an event dispatcher and a sink. An inbound stream entity is dynamically created, enabled, disabled, and deleted in tandem with the connection it represents.

Syntax

```
disconnect [node node-id] event dispatcher sink sink-name inbound stream stream-name
```

```
show [node node-id] event dispatcher sink sink-name inbound stream stream-name [all [attributes] | all counters | all identifiers | all status ]
```

9.6.1 Commands

disconnect

Requests the disconnection of the entity's stream connection. It disconnects the entity's stream connection immediately. Event reports in transit are lost and the sink cannot perform an orderly shutdown on a stream.

9.6.2 Counter Attributes

creation time

Time at which this entity was created.

change confidence

Number of times the confidence variable has changed while connections were in the on state.

9.6.3 Identifier Attributes

name

Local name assigned to the entity by its sink parent when it is dynamically created.

9.6.4 Status Attributes

source end user

Source end-user specification, as provided by Session Control.

source node name

Name of the source node, as provided by Session Control.

state

Status of the inbound event stream.

off

The stream is disabled.

on connected

The stream is enabled and connected to the outbound stream.

uid

Entity's unique identifier, which is generated when the entity is created.

9.6.5 Event Messages

change confidence

Generate when the underlying transport service detects that the connection's confidence variable has changed to the new value reported by the confidence parameter. This suggests a change in the connectivity between the outbound stream and the sink.

Event Dispatcher Module

9.6 event dispatcher sink inbound stream

Argument:

confidence	The new transport confidence value.
false	It is unlikely that a transmit operation would succeed under the current circumstances.
true	It is likely that a transmit operation would succeed under the current circumstances.

disconnect

Generated each time the sink detects that an inbound stream connection has been closed. The disconnect can be caused by a management command, a sink disconnect, a network failure, or by receiving notice that the associated outbound stream entity has been shut down.

Arguments:

disconnect data	Identifies the cause of the disconnect.
reason	Specifies the Session Control layer reason for the disconnect.
shutdown received	Inbound stream disconnected because of a shutdown event.

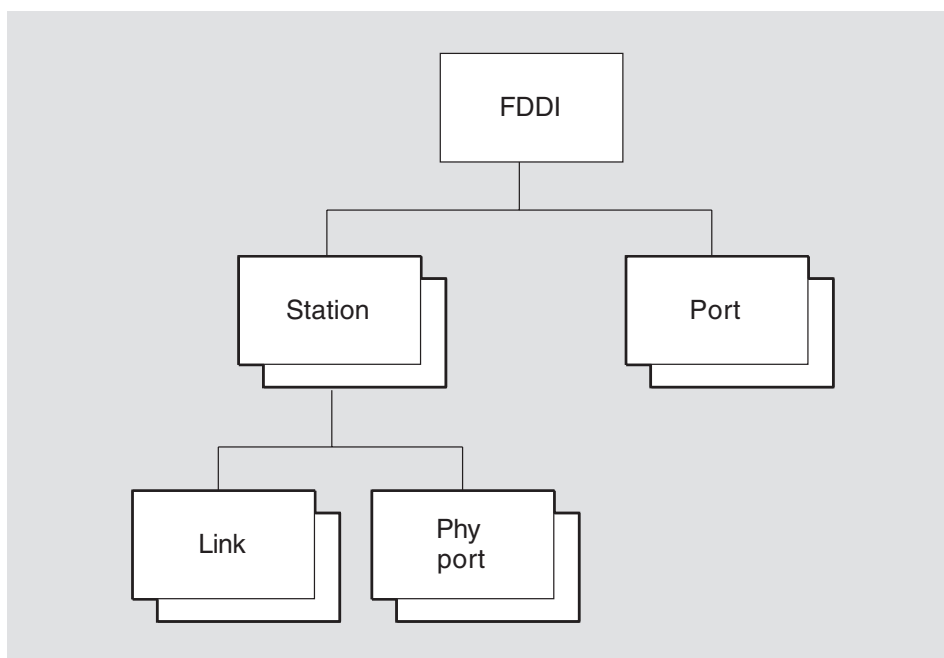
FDDI Module

This chapter describes all the commands you can use to manage the entities that constitute the FDDI module. The FDDI module implements one of multiple possible Link level/Network level modules in the OSI layered architecture model.

The DIGITAL Network Architecture (DNA) Fiber Distributed Data Interface (FDDI) is the basis for the second generation of network interconnect architecture for DECnet-Plus. The FDDI module implements one of the multiple possible Link level/Physical level modules in the OSI layered architecture model. The FDDI Physical level includes high-speed, 125-megabaud, fiber-optic links that may be many kilometers in length. The FDDI Link level provides a high-bandwidth, 100-megabit-per-second local area network (LAN), and uses the ANSI standard FDDI Token Ring.

Figure 10–1 shows the hierarchical relationship of the entities that constitute the FDDI module.

Figure 10–1 Hierarchy of FDDI Module Entities



LKG-6572-92R

FDDI Module

The FDDI module incorporates the functions and operations defined in the ANSI FDDI Token Ring media access control (MAC), the ANSI FDDI Token Ring Physical Layer Protocol (PHY), FDDI Physical Layer Medium Dependent (PMD), Station Management (SMT) specifications, parts of the ISO 8802-1 (IEEE 802.1) addressing, internetworking and network management, and parts of the ISO 8802-2 (IEEE 802.2) logical link control (LLC) specifications.

10.1 fddi

The `fddi` entity is the top-level entity in the hierarchy of entities belonging to the FDDI module.

Syntax

`create [node node-id] fddi`

`delete [node node-id] fddi`

`show [node node-id] fddi [all [attributes] | all characteristics]`

10.1.1 Characteristic Attributes

version

Default: Current version number

Version number of the FDDI architecture specification to which the implementation conforms. You cannot modify this characteristic.

10.1.2 Exception Messages

For `create`:

already exists

An `fddi` entity already exists.

For `delete`:

has children

Cannot delete while subentities exist.

FDDI Module

10.2 fddi station

10.2 fddi station

An `fddi station` entity represents an access point to the service offered by the FDDI module. The FDDI data link can be monitored and controlled through DNA network management. The *station-name* refers to the station managed by this command.

Syntax

```
create [node node-id] fddi station station-name communication port device-name
delete [node node-id] fddi station station-name
disable [node node-id] fddi station station-name
enable [node node-id] fddi station station-name mode {normal | internal loopback }
show [node node-id] fddi station station-name [all [attributes] | all characteristics | all counters | all
identifiers | all status ]
```

10.2.1 Arguments

communication port

The system device name assigned to this station.

On OpenVMS systems, the name must be in the format *ddc*, where *dd* is the OpenVMS device name prefix and *c* is the controller letter. For a complete list of FDDI devices and their OpenVMS device names, see the Documentation Errata and Addenda chapter in the *HP DECnet-Plus for OpenVMS Release Notes*.

On Tru64 systems, the name must be in the format *ddn*, where *dd* is the Tru64 UNIX device name prefix and *n* is the device number.

This argument determines the value of the `communications port` characteristic and is required.

10.2.2 Characteristic Attributes

communication port

Name of the hardware port associated with this station, taken from the corresponding argument in the `create` directive. You cannot modify this characteristic.

smt maximum version id

Highest SMT version ID this station supports. You cannot modify this characteristic.

smt minimum version id

Lowest SMT version ID this station supports. You cannot modify this characteristic.

smt station id

SMT station ID for this station. You cannot modify this characteristic.

smt version id

Currently active SMT version ID for this station. You cannot modify this characteristic.

type

SMT station type for this station. You cannot modify this characteristic.

10.2.3 Counter Attributes

Unless stated otherwise, counts include both normal and multicast traffic and all protocol types, service access points (SAPs), and protocol identifiers.

configuration changes

Number of times the internal configuration of this station changed. (Not present in single attached stations (SAS)).

creation time

Time at which the port was created.

selftest failures

Total number of times a self-test of the station detected an error.

traces received

Number of times the ECM state machine for this station entered the trace state due to a received trace signal.

10.2.4 Identifier Attributes

name

Simple name assigned to the station when it is created.

10.2.5 Status Attributes

last set station id

The station ID of the station that last performed an SMT Change/Add/Remove (PMF frame) operation.

state

Default: None

Value: Off, on or loopback

Operational state of the station.

uid

Entity's unique identifier, which is generated when the entity is created.

10.2.6 Event Messages

configuration change

Internal configuration of the station changed.

selftest failure

An implementation-specific code giving the reason for the station failure. Values are listed in the DNA registry.

trace received

ECM state machine of the station entered the trace state due to a trace signal received on any PHY port.

FDDI Module

10.2 fddi station

10.2.7 Exception Messages

For create:

already exists

An fddi station entity already exists.

For enable:

communication port in use

Communication port already reserved by another entity.

invalid communication port

Cannot run FDDI data link on this communications port.

For delete:

wrong state

Failure to delete the fddi station entity because the station must be disabled before deletion.

10.3 fddi station link

The fddi station link entity is a subentity of the fddi station entity. The fddi station link subentity provides the management view of LLC and the FDDI MAC. FDDI allows stations to be either single MAC or dual MAC and therefore there can be up to two link subentities for each station. In most cases, a station has at least one link entity. Concentrators may have no link entity and are not addressable on the FDDI, though they may be using other communications channels.

Syntax

disable [node *node-id*] fddi station *station-name* link *link-index*

echo [node *node-id*] fddi station *station-name* link *link-index* target *ID802* timeout *integer-16* data *octet-string*

enable [node *node-id*] fddi station *station-name* link *link-index*

getnif [node *node-id*] fddi station *station-name* link *link-index* target *ID802* timeout *integer-16*

getsif [node *node-id*] fddi station *station-name* link *link-index* target *ID802* timeout *integer-16* type {configuration | operation}

show [node *node-id*] fddi station *station-name* link *link-index* [all [attributes] | all characteristics | all counters | all identifiers | all status]

10.3.1 Commands (Tru64 UNIX)

echo

Causes the link subentity to transmit an SMT Echo request frame and await the response. If a response is received, it is displayed.

getnif

Causes the link subentity to transmit an SMT NIF (Neighbor Information) request frame and await the response. If a response is received, it is displayed.

getsif

Causes the link subentity to transmit an SMT SIF (Station Information) request frame and await the response. If a response is received, it is displayed.

10.3.2 Arguments

data

Data to transmit in echo request.

target

Default: None

Value: ID802

48-bit LAN address of the target.

timeout

Default: None

Value: 1–65535

Timeout in seconds.

type

Default: None

Value: Configuration or operation

SIF configuration or SIF operation request.

FDDI Module

10.3 fddi station link

10.3.3 Characteristic Attributes

link address

MAC address assigned during manufacture of the communication hardware that is associated with the station (read-only).

requested trt

Default: 8

Value: 1–65535

Requested token rotation timer. For OpenVMS, the default is determined by the operating system, and this characteristic cannot be set.

restricted token timeout

Default: 1000

Value: 1–65535

Length limit of a restricted token dialog. For OpenVMS, the default is determined by the operating system, and this characteristic cannot be set.

ring purger enable

Default: True

Value: True or false

Controls whether this station is eligible to be a ring purger and should participate in the ring purger election. For OpenVMS, the default is determined by the operating system, and this characteristic cannot be set.

valid transmission time

Default: 3.4

Value: 1–65535

Valid transmission time. For OpenVMS, the default is determined by the operating system, and this characteristic cannot be set.

10.3.4 Counter Attributes

block check errors

Number of times a received frame containing an integral number of octets failed the FCS check.

creation time

Time at which the station was created.

directed beacons received

Number of times the link detected the directed beacon process.

duplicate address test failures

Number of times the duplicate address test failed (detected that the link address was a duplicate).

duplicate tokens detected

Number of times the MAC address test failed (detected that the link address was a duplicate).

error count

Total number of frames that were in error with the E indicator reset, indicating that the error occurred between the upstream MAC and this one.

fci strip errors

Number of times a frame content independent strip operation (bridge strip) was terminated by receipt of a token.

frame count

Total number of frames seen by this link, other than tokens.

frame status errors

Number of times a received frame had the E indicator in error (missing or set) and the FCS was correct.

lost count

Counter lost count.

multicast octets received

Number of multicast data octets that were received successfully in multicast frames of type LLC, implementer, reserved, or SMT. The count does not include the MAC envelope.

multicast octets sent

Number of multicast data octets that were sent successfully in multicast frames of type LLC, implementer, reserved, or SMT. The count does not include the MAC envelope.

multicast pdus received

Number of multicast frames that were received successfully of type LLC, implementer, reserved, or SMT.

multicast pdus sent

Number of multicast frames that were sent successfully of type LLC, implementer, reserved, or SMT.

octets received

Number of octets received successfully in frames of type LLC, implementer, reserved, or SMT. The count does not include the MAC envelope.

octets sent

Number of octets sent successfully in frames of type LLC, implementer, reserved, or SMT. The count does not include the MAC envelope.

pdu length errors

Number of times a received frame had an invalid length, either too long or short for the type, or had an alignment error (odd number of symbols).

pdus received

Number of frames received successfully in frames of type LLC, implementer, reserved, or SMT.

pdus sent

Number of frames sent successfully in frames of type LLC, implementer, reserved, or SMT.

receive data overruns

Number of times the hardware lost one or more consecutive, only partially complete incoming frames because it was unable to keep up with the medium rate. An example is overrun of a bit or octet FIFO queue because of inability

FDDI Module

10.3 fddi station link

to copy data from adapter to host promptly. In conjunction with total frames received, provides a measure of hardware resource and bandwidth failures.

ring beacons initiated

Number of times the ring beacon process was initiated by this link.

ring initializations initiated

Number of times a ring reinitialization was initiated by this link.

ring initializations received

Number of times a ring reinitialization was initiated by some other link.

ring purge errors

Number of times the ring purger received a token while still in the ring purge state.

token count

Number of times a token has been seen by this link.

traces initiated

Number of times the `pc_trace` process was initiated by this link.

transmit failures

Number of times a transmit error, other than underrun, occurred. This does not include errors in transmitting MAC type frames.

transmit underruns

Number of times a transmit underrun occurred. This indicates the transmit FIFO became empty during frame transmission.

unavailable link buffers

Number of times a complete, fully received frame was discarded because no link buffer was available. In conjunction with total frames received, provides a measure of station-buffer-related receive problems.

unavailable user buffers

Number of times no user buffer was available for an incoming frame that passed all filtering for the port. These are the buffers supplied by users on `receive` requests. In conjunction with total frames received, provides a measure of user-buffer-related receive problems.

unrecognized individual destination pdus

Number of times a received LLC frame with an individual destination MAC address was discarded because there was no port with the Ethernet protocol type, SNAP protocol identifier, or LLC SAP address enabled. Only frames containing individual destination MAC addresses are counted.

unrecognized multicast destination pdus

Number of times a received LLC frame with a multicast destination MAC address was discarded because there was no port with the Ethernet protocol type, SNAP protocol identifier, or LLC SAP address enabled. Only frames containing multicast destination MAC addresses are counted.

10.3.5 Identifier Attributes

index

An integer that uniquely identifies this link to the parent station entity.

10.3.6 Status Attributes

downstream neighbor

MAC address of the downstream neighbor, if known.

duplicate address flag

Summary output of the duplicate address test algorithm.

frame strip mode

Current frame-stripping mode of the MAC.

SA match

Source address match mode of the frame stripping algorithm matches the source address of the frame with the MAC's MyLongAddress (MLA), and if a match is found, the frame is removed from the token ring.

FCI strip

The FCI strip mode counts the number of frames transmitted since the reception of a token, and strips equal number of frames.

loopback

This is true if the link has been set up to receive frames transmitted by it. This allows loopback testing either on the ring or with one of the PHY port loopback modes.

negotiated trt

Negotiated token rotation timer.

old downstream neighbor

Previous value of the downstream neighbor.

old upstream neighbor

Previous value of the upstream neighbor.

ring error reason

Reason code for the most recent link error.

directed beacon received

Link received particular beacon data.

duplicate address detected

Duplicate address algorithm detected a duplicate address.

duplicate token detected

A duplicate token was detected on the ring.

FCI strip error

Frame content independent strip operation was terminated by the receipt of a token.

no error

No errors have occurred on this ring.

PC trace initiated

PC-trace was initiated by this link.

PC trace received

PC-trace was initiated by some other link.

ring beaconing initiated

Ring beaconing process was initiated by this link. This process is initiated as a result of serious ring failure, such as loss of signal or jabbering station transmitting in violation of the protocol. This indicates to other links on the LAN that corrective action may be required.

FDDI Module

10.3 fddi station link

ring init initiated	Ring initialization was initiated by this link to initialize the ring and create a token.
ring init received	Ring initialization was initiated by some other link to initialize the ring and create a token.
ring op oscillation	Ring state has been changing continually from operational to initializing.
ring purge error	Link received a token while performing a ring purge operation.

ring latency

Current ring latency as measured by this link entity.

ring purger state

State of the ring purger election process.

candidate	The link's ring purger process is participating in the ring purger election algorithm as a candidate to become the ring purger.
nonpurger	The link's ring purger process is in an idle state listening for periodic purger hello frames.
off	The link's ring purger process is disabled.
purger	The link's ring purger process is performing the function of removing no owner frames and duplicate token from the ring. In this state, the process transmits periodic purger hello frames.

state

State of the link entity.

broken	Attempt to turn the link on failed the initialization test, or link was on, but failure was detected.
off-fault recovery	State entered when a link entity detects conditions that indicate faulty ring.
off-ready	FDDI data link communication services are not available.
on-ring init	Physical layer service is available and the link entity enabled.
on-ring run	Link detected that the ring initialization has been completed successfully and the ring is operational.

uid

Entity's unique identifier, which is generated when the entity is created.

upstream neighbor address

MAC address of the upstream neighbor, if known.

upstream neighbor duplicate address flag

Default: None

Value: True or false

Upstream neighbor's reported result of its duplicate address test.

10.3.7 Event Messages

block check error

Frame with FCS error was received.

directed beacon received

A directed beacon was received.

duplicate address test failure

Duplicate address algorithm detected a duplicate.

duplicate token detected

Duplicate token is detected.

fci strip error

Frame content independent strip was terminated by a token.

frame status error

Frame with good FCS, but E indicator set was received.

link buffer unavailable

No buffer was available to to receive a frame.

pdu length error

Frame of invalid length or odd number of symbols was received.

receive data overrun

A receive overrun hardware error was detected.

ring beacon initiated

Link started the beacon process.

ring initialization initiated

Ring is reinitialized by this link.

ring initialization received

Ring is reinitialized by some other link.

ring purge error

Ring purger received a token while purging.

trace initiated

PC-trace was initiated by this link.

transmit failure

Failure to transmit operation other than underrun.

transmit underrun

Transmit failed due to underrun.

unrecognized individual pdu destination

Frame with unrecognized DSAP or port-id.

unrecognized multicast pdu destination

Frame with unrecognized DSAP or port-id.

user buffer unavailable

Data link user did not supply a receive buffer.

FDDI Module

10.3 fddi station link

10.3.8 Exception Messages

For GetSIF, GetNIF, and echo (Tru64 UNIX):

reject

Request was rejected by the target station.

timeout

No response was received.

10.4 fddi station phy port

An fddi station phy port entity provides the management view of the fddi station phy port and the fddi pmd. Each station has at least one physical port and a concentrator is a device that has at least one physical port of type M. A dual-attached station or dual-attached concentrator has a phy port type A and type B. A single-attached station has a phy port of type B. The *port-id* is an integer that represents the physical port to be managed by the command.

Syntax

disable [node *node-id*] fddi station *station-name* phy port *port-id*

enable [node *node-id*] fddi station *station-name* phy port *port-id* mode {normal | internal loopback }

show [node *node-id*] fddi station *station-name* phy port *port-id* {all [attributes] | all characteristics | all counters | all identifiers | all status }

10.4.1 Characteristic Attributes

lem threshold

Default: None

Value: For n , 10^{-n}

Link error monitor threshold. This characteristic cannot be set.

phy type

Type of physical port (A, B, S, or M). This characteristic cannot be set.

pmd type

Type of PMD (transceiver) for this physical port. This characteristic cannot be set.

ANSI multimode	Low power
ANSI multimode type 1	ThinWire
ANSI single mode type 2	Shielded twisted-pair
ANSI SONET	Unshielded twisted-pair

10.4.2 Counter Attributes

creation time

Time at which the port was created.

connections completed

Number of times the physical port entered the in use state, having completed the initialization process.

elasticity buffer errors

Number of times the elasticity buffer function had an overflow or underflow.

lct rejects

Number of times a connection was rejected due to failure of the link confidence test at either end of the physical connection.

lem rejects

Number of times an active connection was disconnected due to rejection by the link error monitor at this end of the physical connection, or by expiration of the Noise timer.

FDDI Module

10.4 fddi station phy port

link errors

Total number of raw link error input events seen by the link error monitor.

10.4.3 Identifier Attributes

index

An integer that uniquely identifies this physical port to the parent station entity.

10.4.4 Status Attributes

broken reason

Reason phy port is in broken state, or if in broken state, none.

estimated link error rate

Default: None

Value: 1–256

Link error monitor current estimate of error rate.

neighbor phy type

Status may be A, B, S, M or unknown.

reject reason

Reason the phy port is in a failed or watch state. This is not meaningful when phy port is in some other state.

LCT both sides	link confidence test failed on both sides of the physical connection.
LCT protocol error	Neighboring physical port has been detected to have prematurely exited the link confidence test (LCT).
LEM reject	Link error monitor disconnected this connection due to the error rate exceeding the LEM threshold.
local LCT	Link confidence test failed on this end of the physical connection.
noise reject	Noise timer expired because a single noise event lasted for more than 1.31072 ms.
none	No reason.
remote LCT	Link confidence test failed on the other end of the physical connection.
remote reject	Neighboring physical port broke the connection for an unknown reason.
standby	Physical port and its neighboring physical port form a redundant physical connection (dual-homing feature). In a dual-homed configuration, the B to M connection is the higher priority physical connection, and the A to M connection is the standby physical connection. The standby connection will become active if the B to M connection is lost.
topology reason	Neighboring physical port's physical port type is an illegal match for this physical port's physical port type.
trace in progress	Physical port was initializing when a pc-trace occurred. When a pc-trace occurs, any physical ports that have not yet established a physical connection are shut down to prevent the topology from changing.

trace received-disabled	Physical port was momentarily disabled because it received a pc-trace when its own pc-trace function was disabled. The pc-trace function is enabled by default. The trace disable switch is not remotely manageable.
state	Operational state of the phy port entity (nonsettable).
broken	The physical port has failed initialization tests and is not available for use.
failed	Same as <code>waiting</code> , except the physical port has failed to complete the last connection attempt. Refer to the physical port's status parameter <code>reject reason</code> , for the reason for connection failure. Connection attempts will continue until successful.
internal loopback	The physical port has been configured to internally present all transmitted symbols to the receive interface. The network connector is inactive. This allows internally generated test frames to be looped back for test purposes.
in use	The physical port has established a connection and is fully operational. Communications services are now available.
off-ready	The physical port is waiting to be enabled or has been disabled by management request.
starting	The physical port has received a response from the neighboring physical port and is exchanging information and performing the link confidence test (LCT) prior to completing the connection.
waiting	The physical port is beginning to establish a connection and is waiting for a response from the neighboring physical port.
watch	Same as <code>starting</code> , except the physical port has failed to complete the last connection attempt. Refer to the physical port's status parameter, <code>reject reason</code> , for the reason for connection failure. Connection attempts will continue until successful.
uid	Entity's unique identifier, which is generated when the entity is created.

10.4.5 Event Messages

link confidence test reject

Counted as LCT rejects.

link elasticity buffer error

Counted as elasticity buffer errors.

link error monitor reject

Counted as LEM rejects.

10.4.6 Exception Messages

For enable:

invalid mode

Specified mode conflicts with station mode.

FDDI Module

10.5 fddi port

10.5 fddi port

An `fddi port` entity represents an access point to the service offered by the FDDI module. A client transmits and receives data through a port. Ports are created and deleted by client use of open and close service interface procedures. The *port-name* refers to the port managed by this command.

Syntax

```
show [node node-id] fddi port port-name [all [attributes] | all counters | all identifiers | all status ]
```

10.5.1 Counter Attributes

creation time

Time at which the port was created.

multicast octets received

Number of multicast user data octets received successfully and available to the data link user.

multicast octets sent

Number of multicast user data octets transmitted successfully using the port.

multicast pdus received

Number of multicast frames received successfully and available to the data link user.

multicast pdus sent

Number of multicast frames transmitted successfully using the port.

octets received

Number of user data octets received successfully and available to the data link user.

octets sent

Number of user data octets transmitted successfully using the port.

pdus received

Number of frames received successfully and available to the data link user.

pdus sent

Number of frames transmitted successfully using the port.

unavailable user buffers

Number of times no user buffer was available at the port for an incoming frame.

10.5.2 Identifier Attributes

name

Simple name assigned to the port when it is created.

10.5.3 Status Attributes

client

Name specified by the data link when the port is opened.

ethernet protocol types

Set of Ethernet protocol types that are recognized for this port. Protocol types for a port may be enabled and disabled by the user at any time during the port's existence.

length present

Default: None

Value: True or false

Indicates whether or not the data link adds a length field on transmit, assumes the presence of the length field, and removes the length field on receive for Ethernet frames. This attribute is irrelevant for ISO 8802-3 formatted frames because the length field is always present. This is specified by the user when the port is opened. The value `true` means length fields are added and removed by the data link.

link

Name of the `link` subentity associated with this port, specified by the user when the port is opened.

llc sap addresses

Set of SNAP protocol identifiers that are recognized for this port. LLC SAP addresses for a port may be enabled and disabled by the user at any time during the port's existence.

llc service

Default: None

Value: Class 1 or user supplied

LLC PDU processing the data link user requires from the port, specified by the user when the port is opened. This is either LLC Class 1, where the entire LLC protocol is handled by the data link, or user-supplied LLC, where the user is responsible for operating part of the LLC protocol.

mac addresses

Set of individual and multicast MAC addresses that are recognized for this port. MAC addresses for a port may be enabled and disabled by the user at any time during the port's existence.

receive mode

Default: None

Value: Normal or promiscuous

Indicates if the port is to receive all frames regardless of format, Ethernet protocol type, SNAP protocol identifier, LLC SAP address, or MAC address. Promiscuous receipt is enabled and disabled by the user. Support of promiscuous mode is optional.

snap protocol identifiers

Set of SNAP protocol identifiers that are recognized for this port. Protocol identifiers for a port may be enabled and disabled by the user at any time during the port's existence.

type

Type of port (LLC or SMT).

uid

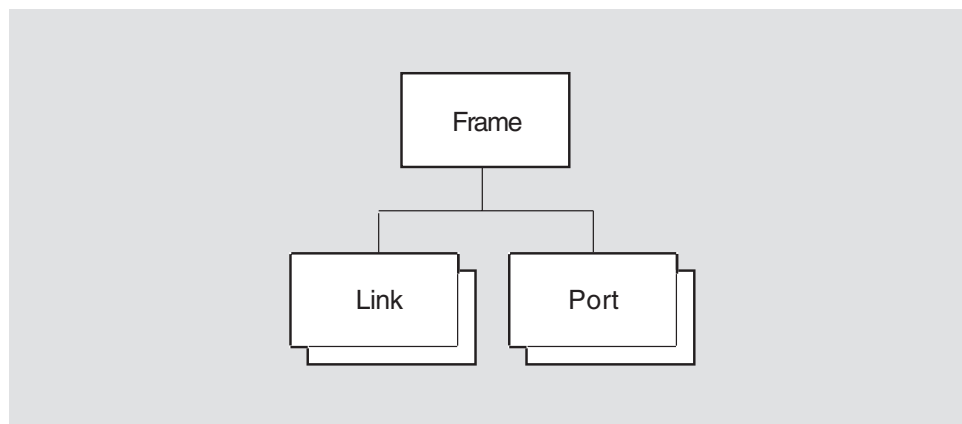
Entity's unique identifier, which is generated when the entity is created.

Frame Module (OpenVMS)

This chapter describes all the commands you can use to manage the entities that constitute the Frame module. The Frame module provides framing functions for a communications link. It enables those who implement their own level 2 protocols to manage the links that use those protocols.

Figure 11–1 shows the hierarchical relationship of the entities that constitute the Frame module.

Figure 11–1 Hierarchy of Frame Module Entities



LKG-4549-91R

Frame Module (OpenVMS)

11.1 frame

11.1 frame

The `frame` entity is the top-level entity in the hierarchy belonging to the Frame module. The entity provides framing functions for a communications link. The entity does not provide any data link protocol capabilities, and is used by those who want or need to operate their own level 2 protocols.

syntax

`create [node node-id] frame`

`delete [node node-id] frame`

`disable [node node-id] frame`

`enable [node node-id] frame`

`show [node node-id] frame [all [attributes] | all characteristics | all status]`

11.1.1 Characteristic Attributes

version

Version of the frame architecture to which the implementation conforms. You cannot modify this characteristic.

11.1.2 Status Attributes

state

State of the frame entity.

off The frame entity is disabled.

on The frame entity is enabled.

11.2 frame link

A frame link entity is associated with a physical line, and controls the framing protocol used on that line. There is one frame link entity for each physical line.

syntax

```
create [node node-id] frame link frame-link-id {control mode mode | protocol protocol-type }
delete [node node-id] frame link frame-link-id
disable [node node-id] frame link frame-link-id
enable [node node-id] frame link frame-link-id

set [node node-id] frame link frame-link-id {bisync code character-code | bits per character integer |
buffer size integer | crc type crc-type | framing timer integer | initial state one state-info | initial
state two state-info | local station address address | match station address boolean | number of
buffers integer | physical line local-entity-name | sync character hexadecimal | sync count integer
}

show [node node-id] frame link frame-link-id [all [attributes] | all characteristics | all counters | all
identifiers | all status ]
```

11.2.1 Arguments

control mode

Control mode in which the link operates. This argument determines the value of the control mode characteristic. The default is point-to-point.

multipoint master
multipoint tributary
point-to-point

protocol

Framing protocol to be used over the link. This argument determines the value of the protocol characteristic.

bisync	hdlc
chips	sdhc
ddcmp	swift
genbyte	

11.2.2 Characteristic Attributes

bisync code

Default: EBCDIC

Value: ASCII or EBCDIC

Character code to be used on the link. This characteristic is supported only when the characteristic `protocol` is set to one of the following: `bisync`, `chips`, `genbyte`, or `swift`. You can modify this characteristic only when the entity is disabled.

bits per character

Default: 8

Value: 5–8

Number of bits in each character. This characteristic is supported only when the characteristic `protocol` is set to `genbyte`. You can modify this characteristic only when the entity is disabled.

Frame Module (OpenVMS)

11.2 frame link

buffer size

Default: 512

Value: 0–65535

Size, in octets, of each receive buffer for the link. You can modify this characteristic only when the entity is disabled. Also, you can only increase the characteristic value.

control mode

Default: Point-to-point

Value: See description

Control mode in which the link is to operate. The value of this characteristic derives from the point to point argument to the create command. You cannot modify this characteristic.

multipoint master

multipoint tributary

point-to-point

crc type

Default: See description

Value: See description

CRC type used on the link.

AUTO_DIN

CRC_16

CRC_CCITT

CRC_CCITT0

LRC_EVEN

LRC_ODD

LRC_VRC_EVEN

LRC_VRC_ODD

NONE

The default value depends on the protocol.

BISYNC CRC_16

CHIPS LRC_EVEN

DDCMP CRC_16

GENBYTE NONE

HDLC CRC_CCITT

SDLC CRC_CCITT

SWIFT CRC_16

genbyte crc checking is done in the genbyte framing routine.

framing timer

Default: 25

Value: 10–1000

Maximum length of time, in milliseconds, to wait for the next character to arrive. This characteristic is supported only when the characteristic protocol is set to genbyte.

initial state one

Default: 0 **Value:** See description

First 32 bits of state information. This characteristic is supported only when the characteristic protocol is set to `genbyte`. You can modify this characteristic only when the entity is disabled.

initial state two

Default: 0 **Value:** See description

Last 32 bits of state information. This characteristic is supported only when the characteristic protocol is set to `genbyte`. You can modify this characteristic only when the entity is disabled.

local station address

Default: 255 **Value:** 0–255

Address of the local station. The default value means that only broadcast messages are accepted. The interpretation of this characteristic is controlled by the value of the characteristic `match station address`.

This attribute is supported only if the characteristic protocol is set to `sdlc`. You can modify this characteristic only when the entity is disabled.

match station address

Default: False **Value:** True or false

Specifies whether the value of the characteristic `local station address` is to be interpreted as a valid address. This attribute is supported only if the characteristic protocol is set to `sdlc`. You can modify this characteristic only when the entity is disabled.

number of buffers

Default: 4 **Value:** 0–255

Number of receive buffers reserved for the link. You can modify this characteristic only when the entity is disabled. Also, you can only increase the characteristic value.

physical line

Default: None **Value:** Local-entity-name

Name of the Physical layer line entity on which the link operates. You must provide a value for this characteristic before you enable the link. You can modify this characteristic only when the entity is disabled.

Frame Module (OpenVMS)

11.2 frame link

protocol

Framing protocol used on the line. The value of this characteristic derives from the protocol argument to the create command. You cannot modify this characteristic.

bisync	hdlc
chips	hdlc
ddcmp	swift
genbyte	

sync character

Default: See description

Value: 0-FF

Hexadecimal code of the sync character to be used on the link. The default value depends on the value of the characteristic protocol, as follows:

bisync	32
chips	32
ddcmp	96
genbyte	32
swift	32

This attribute is supported only if the characteristic protocol is set to bisync, chips, ddcmp, genbyte, or swift. You can modify this characteristic only when the entity is disabled.

sync count

Default: 4

Value: 0-255

Number of sync characters that precedes each message. This attribute is supported only if the characteristic protocol is set to bisync, chips, ddcmp, genbyte, or swift. You can modify this characteristic only when the entity is disabled.

11.2.3 Counter Attributes

abort characters received

Number of times the link was prematurely terminated by the remote station. This counter is supported only if the characteristic protocol is set to either hdlc or sdlc.

creation time

Time at which this entity was created.

data block check errors

Number of messages received with an error in the data field block check.

header block check errors

Number of messages received with an error in the header block check. This counter is supported only if the characteristic protocol is set to ddcmp.

invalid characters received

Number of times an invalid character was received from the remote station. This counter is supported only if the characteristic protocol is set to either bisync or ddcmp.

receive buffer overflows with good crc

Number of times the local station received a message too large for the receive buffer and the message had a valid CRC.

receive overruns

Number of times the host memory was not able to handle all the data received from the communications channel.

sdus received

Number of data messages received from the remote station.

sdus sent

Number of data messages sent to the remote station.

service octets received

Number of data octets received from the remote station.

service octets sent

Number of data octets sent to the remote station.

transmit underruns

Number of times the host memory could not supply data fast enough to satisfy the communications channel.

11.2.4 Identifier Attributes

name

Simple name assigned to the link when it is created.

11.2.5 Status Attributes

physical port name

Name of the Physical layer port returned when the port is opened. If this value is missing, the port has yet to be opened.

state

State of the frame link entity.

off The link is disabled.

on The link is enabled.

uid

Entity's unique identifier, which is generated when the entity is created.

11.2.6 Exception Messages

For create:

parent is disabled

The frame entity was disabled when you issued this create command. Enable the frame entity and then reissue this command.

For enable:

device constraint

The value of an attribute is not supported by the device type servicing the protocol state machine.

Frame Module (OpenVMS)

11.2 frame link

open physical port failure

The open operation on the port in the Physical layer failed.

Arguments:

reason	Specifies why the open operation failed.
invalid argument	The open port call was improperly formed.
line not available	The line managed by the Physical layer entity is already allocated to another data link entity. Modify the physical line characteristic to specify an entity not used by any other data link entity, then reissue the enable command.
no such line	The entity specified in the physical line characteristic does not exist. Either create that entity, or modify the value of physical line to name an entity that does exist. Then reissue the enable command.

Note

Only the DSF32 device supports SWIFT and CHIPS framing.

11.3 frame port

A `frame port` entity represents an access point to the data link service offered by the Frame module. Ports are created and deleted automatically when a client of DDCMP uses the link.

syntax

```
show [node node-id] frame port port-name [all [attributes] | all identifiers | all status ]
```

11.3.1 Identifier Attributes

name

Simple name assigned to the port when it is created.

11.3.2 Status Attributes

client

Name of the client entity that opened the port.

link

Name of the frame link entity that the client supplied when the port was opened.

state

State of the frame port entity.

open

The port is assigned to a client.

open disabled

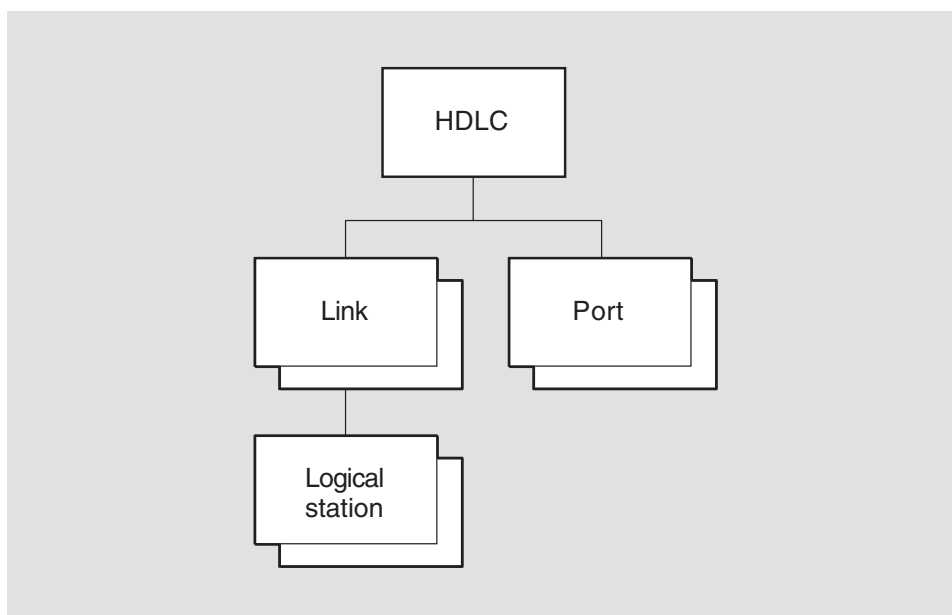
The port is assigned to a client, but the appropriate link entity has been disabled.

HDLC Module

This chapter describes all the commands you can use to manage the entities that constitute the HDLC module. The HDLC module implements one of the protocols in the Data Link layer. The HDLC (High-level Data Link Control) protocol is intended to cover a wide range of applications. This includes one-way, two-way alternate or two-way simultaneous data communication between data stations that are usually buffered, including operations on different types of data circuits; such as, multipoint/point-to-point, duplex/half-duplex, and switched/non-switched. This implementation uses HDLC to offer reliable communication at the Data Link layer for point-to-point synchronous data lines over a wide area network link. The HDLC module typically runs as a Data Link module under the CLNS (Connectionless-Mode Network Service) network protocol.

Figure 12–1 shows the hierarchical relationship of the entities that constitute the HDLC module.

Figure 12–1 Hierarchy of HDLC Module Entities



LKG-4550-92R

HDLC Module

12.1 hdlc

12.1 hdlc

The `hdlc` entity is the top-level entity in the hierarchy of entities belonging to the HDLC module.

Syntax

```
create [node node-id] hdlc
```

```
delete [node node-id] hdlc
```

```
show [node node-id] hdlc [all [attributes] | all characteristics ]
```

12.1.1 Characteristic Attributes

version

Version of the HDLC architecture specification to which the implementation conforms. You cannot modify this characteristic.

12.2 hdlc link

An `hdlc link` entity is associated with a port of the supporting physical layer module. It contains attributes common to local HDLC operations for all logical stations on the line. The *link-name* refers to the HDLC link managed by this command.

Syntax

```
create [node node-id] hdlc link link-name {linktype link-type | profile latin1string }
delete [node node-id] hdlc link link-name
disable [node node-id] hdlc link link-name
enable [node node-id] hdlc link link-name

set [node node-id] hdlc link link-name {acknowledge timer integer | holdback timer integer | maximum
data size integer | maximum unsequenced pdus integer | minimum data size integer | physical
line local-entity-name | preferred crc type crc-type | preferred local station address integer |
preferred maximum data size integer | preferred window size integer | receive buffers integer
(OpenVMS) | retry maximum integer | sequence modulus [8 or 128] }

show [node node-id] hdlc link link-id [all [attributes] | all characteristics | all counters | all identifiers |
all status ]
```

12.2.1 Arguments

linktype *link-type*

Operational mode of the HDLC link, determining how the logical station operates. This value is negotiated with the remote station. This argument determines the value of the `link type` characteristic.

balanced The logical station operates in asynchronous response balanced mode. This is the default value of the argument.

primary The logical station is the primary and operates in normal response mode.

secondary The logical station is a secondary and operates in normal response mode.

profile *Latin1String*

A string of information that can be used when the HDLC protocol is dependent on network subscription time commitments pertinent to the Data Link layer. When specified, the values of some link characteristics may be overridden. This argument determines the value of the `profile` characteristic. The default value of this argument is a null string, meaning that no profile is used.

12.2.2 Characteristic Attributes

acknowledge timer

Default: 3000

Value: 1–60000

Time, in milliseconds, to wait for an acknowledgment before using error recovery procedures. The value of this characteristic corresponds to the T1 parameter of HDLC. You can modify this characteristic only when the entity is disabled.

holdback timer

Default: 0

Value: 1–60000

Maximum time, in milliseconds, to wait before sending an acknowledgment supervisory frame if no other frames carry the acknowledgment. A value of zero

HDLC Module

12.2 hdlc link

means that the frame will be sent immediately if no I-frame can be sent. You can modify this characteristic only when the entity is disabled.

link type

Operational mode of the HDLC link. The value of this characteristic is a copy of the `link type` argument specified when the entity is created. You cannot modify this characteristic.

maximum data size

Default: 1500 **Value:** 262–65532

Maximum number of bytes that users of the data link can specify. This number applies to both transmit and receive frames.

The value of this characteristic must be greater than or equal to the value of the `minimum data size` characteristic. You can modify this characteristic only when the entity is disabled.

maximum unsequenced pdus

Default: 1 **Value:** 1–127

Maximum number of unsequenced I-frames that a primary or secondary station can send in a single transmission. This characteristic is not used if the `link type` characteristic is `balanced`.

minimum data size

Default: 576 **Value:** 262–65532

Minimum number of bytes that users of the data link can specify. This number applies to both transmit and receive frames.

The value of this characteristic must be less than or equal to the value of the `maximum data size` characteristic. You can modify this characteristic only when the entity is disabled.

physical line

Default: None **Value:** Local-entity-name

Local entity name of the the Physical layer entity over which the HDLC protocol is to operate.

This characteristic must have a value before the HDLC link is enabled. You can modify this characteristic only when the entity is disabled.

preferred crc type

Default: Either **Value:** 16-bit, 32-bit, or either

CRC types available for negotiation. If the value of this characteristic is `either`, the station will try to use 32-bit but will use 16-bit if that is all that the remote station supports.

preferred local station address

Default: 2 **Value:** 1–253

Address proposed for the local logical station during negotiation. If there is no negotiation, the value of this characteristic is the value that is used. If

negotiation is necessary, the value of this characteristic must be between 2 and 253. You can modify this characteristic only when the entity is disabled.

preferred maximum data size

Default: 1500

Value: 262–65532

Default size, in octets, of frames that the station receives and transmits. This value is used only if the link initialization does not specify a buffer value.

The value of this characteristic must lie between those of the maximum data size and minimum data size characteristics. You can modify this characteristic to a lower value only when the entity is disabled.

preferred window size

Default: 2

Value: 1–127

Window size to be offered during negotiation for both receive and transmit frames. The value of this characteristic must be compatible with that for the sequence modulus characteristic.

profile (OpenVMS)

Simple name that can be used when the HDLC protocol is dependent on network subscription time commitments pertinent to the Data Link layer. The value of this characteristic is a copy of the profile argument specified when the entity is created. You cannot modify this characteristic.

receive buffers (OpenVMS)

Default: 4

Value: 1–128

Number of receive buffers reserved for the link. This characteristic can only be set to a lower value when the entity is disabled.

retry maximum

Default: 10

Value: 1–255

Maximum number of times that a frame will be retransmitted before the local station assumes that a fatal error has occurred. This characteristic can be modified only when the entity is disabled.

sequence modulus

Default: 128

Value: 8 or 128

Whether modulo-8 or modulo-128 sequence numbering is allowed on the HDLC link. The value 8 means that only normal sequence numbering is allowed. The value 128 means that both extended and normal sequence numbering are supported for negotiation.

12.2.3 Counter Attributes

buffer unavailable errors (OpenVMS)

Number of times the Physical layer reported that no buffer was available to hold a message. This counter is not supported in all implementations.

crc errors received

Number of frames received that had a bad CRC.

HDLC Module

12.2 hdlc link

creation time

Time at which this entity was created.

times pdu receive overrun

Number of times a physical line indicated an overrun condition to the Data Link layer. This counter is not supported in all implementations.

times pdu transmit failed

Number of times an attempt to send a frame failed.

up transitions

Number of times the entity's status attribute state has changed from off to on.

12.2.4 Identifier Attributes

name

Simple name assigned to the HDLC link when it is created.

12.2.5 Status Attributes

actual sequence modulus

Sequence number modulus in use on the link. Until negotiation is complete, this attribute has the value 128. However, if the value of the characteristic sequence modulus is 8, the modulus always appears as the value 8.

8 Indicates that modulo-8 numbering is in use. Allows frame sequence values 0 through 7.

128 Indicates that modulo-128 numbering is in use. Allows frame sequence values 0 through 127.

interframe delay

Default: None

Value: 0–10⁹

Time required between frames to enable the local station to successfully receive them.

line type

Default: None

Value: Switched or nonswitched

Defines whether the underlying physical line is switched or nonswitched. This status affects the subset of port states that are related to a given link.

maximum pdu size

Default: None

Value: 1–65535

Maximum frame size (in octets) that can be used on the link. Until negotiation is complete, the value of this status attribute is the same as the characteristic preferred maximum data size.

negotiated crc type

CRC mode that has been negotiated with the remote station. This mode will not be used until the station is next enabled. Until negotiation is complete, the value of this is 16-bit.

physical port

Name of the port in the Physical layer associated with the communications link.

response address

Address that the remote station puts in response frames.

state

State of the HDLC link. This reflects the last enable or disable command issued.

off The link is disabled.

on The link is enabled.

uid

Entity's unique identifier, which is generated when the entity is created.

window size

Default: None

Value: 1–127

Maximum number of I-frames that can be outstanding before an acknowledgment must be received. Until negotiation is complete, the value of this status attribute is the same as the characteristic preferred window size.

12.2.6 Event Messages

buffer unavailable error (OpenVMS)

Generated each time a frame is discarded because there is no receive buffer available.

link down

Generated each time the entity is disabled.

link up

Generated each time the entity is enabled.

pdu receive overrun

Generated each time the Physical layer entity reports a receive overrun.

pdu transmit failed

Generated each time an attempt to send a frame fails.

Argument:

pdu transmit failed reason Failure reason received from the Physical layer entity.

disabled The network manager has disabled the line.

line down The line is in the failed state.

no service The Physical layer service is not available.

12.2.7 Exception Messages

For delete:

has children

Cannot delete while subentities exist.

link enabled

The link is still enabled. Disable the link and reissue the delete command.

HDLC Module

12.2 hdlc link

wrong state

Failure to delete the hdlc link logical station subentity because the logical station must be disabled before deletion.

For enable:

client data size not supportable

Client's buffer size is larger than the HDLC software can support.

incompatible communications mode

The value of the link type argument specified in the create command is incompatible with the actual type of link.

Argument:

reason	Feature of the line that is incompatible with the link type.
CRC mode not supported	The line does not support CRC selected by the preferred CRC type characteristic attribute.
full-duplex mode	The line is full-duplex and the link type is primary/secondary.
half-duplex mode	The line is half-duplex and the linktype is balanced.
protocol not supported	The line does not support HDLC framing.

Correct the value of the link type argument, or use a line that supports the appropriate protocol. Then reissue the enable command.

open physical port failed

Attempt to open a port to the Physical layer failed.

Argument:

reason	Specifies why the Physical layer rejected the open operation.
invalid argument	The call to the Physical layer was improperly formed.
insufficient resources	The Physical layer had insufficient system resources to be able to open the port.
line not available	The line specified as the value to the physical line characteristic is already allocated to another entity in the Data Link layer. Change the value of the physical line characteristic to an unused line, and reissue the enable command.
no such physical line	The entity specified in the physical line characteristic does not exist. Check the value of the characteristic and, if necessary, change it to the correct name, then reissue the enable command. If the name is correct, create the necessary Physical layer entity and then reissue the enable command.

12.3 hdlc link logical station

The `hdlc link logical station` entity controls the characteristics of an HDLC logical station. There is one station for each remote termination of a line associated with the HDLC link. The *link-name* is the link entity within the HDLC module and the *logical-station-name* refers to the logical station managed by this command.

Syntax

```
create [node node-id] hdlc link link-name logical station logical-station-name
delete [node node-id] hdlc link link-name logical station logical-station-name
disable [node node-id] hdlc link link-name logical station logical-station-name
enable [node node-id] hdlc link link-name logical station logical-station-name
limit [node node-id] hdlc link link-name logical station logical-station-name
show [node node-id] hdlc link link-name logical station logical-station-name [all [attributes] | all
counters | all identifiers | all status ]
unlimit [node node-id] hdlc link link-name logical station logical-station-name
```

12.3.1 Commands

limit

Limits station exclusively to unsequenced data service.

unlimit

Enables sequenced and unsequenced data service.

12.3.2 Counter Attributes

creation time

Time at which this entity was created.

data octets received

Total number of octets received in the I-field of I-frames and UI-frames. This total excludes protocol ID information in UI-frames and frame retransmissions.

data octets sent

Total number of octets sent in the I-field of I-frames and UI-frames. This total excludes protocol ID information in UI-frames and frame retransmissions.

data pdus received

Total number of I-frames and UID-frames received. This number does not include frames that had to be retransmitted.

data pdus sent

Total number of I-frames and UID-frames sent. This number does not include frames that had to be retransmitted.

frmrs generated

Number of FRMRs (frame rejects) sent.

frmrs received

Number of FRMRs (frame rejects) received.

HDLC Module

12.3 hdlc link logical station

invalid mode commands

Number of command frames (SABME, SABM, SNRME, SNRM, SARM, and SIM) received that are not applicable to this station.

negotiation failures

Number of times that the XID negotiation with the remote station has failed.

polls received

Number of frames received with the poll bit set.

rejs received

Number of REJ frames (rejects) received.

rejs sent

Number of REJ frames (rejects) sent.

rnr received

Number of RNR (receive not ready) supervisory frames received from the remote station.

rnr sent

Number of RNR (receive not ready) supervisory frames transmitted.

times acknowledge timer expired

Number of times the acknowledge timer has expired.

times station halted

Number of times the station halt event has occurred.

times station initializing

Number of times the station initialized event has occurred.

times station inoperative

Number of times the entity's status attribute state became inoperative.

times station maintenance

Number of times the entity's status attribute state became maintenance.

times station resetting

Number of times the station reset event has occurred.

times station running

Number of times the station running event has occurred.

times station setup failed

Number of times the station setup failure event has occurred.

unknown ui pdus received

Number of UI-frames the local station received whose protocol ID does not match that of any open port.

xids received

Number of XID (identification) command or response frames received.

12.3.3 Identifier Attributes

name

Simple name assigned to the logical station when it is created.

12.3.4 Status Attributes

command address

Address the local station uses when sending command frames to the remote station.

maintenance mode

Whether the station is in maintenance mode. When set to true, the station will be used exclusively for maintenance operations. When set to false, the station operates in normal fashion.

The `limit` command sets the value of this attribute to true, and the `unlimit` to false.

protocol state

State of the data link protocol.

error	A protocol error occurred. For instance, the logical station received an invalid frame.
halted	The protocol could not start. For example, there is no client.
initializing	The protocol is being initialized.
inoperative	The protocol cannot be started because no contact has been established with the remote station.
maintenance	The logical station is in maintenance mode.
resetting	The protocol is resetting after an error.
running	The protocol is running and capable of exchanging frames with the remote station.

remote version

Version number of the HDLC protocol that the remote station is using. This is received as part of an XID message from the remote station.

state

State of the logical station.

off The logical station is off because of a `disable` command.

on The logical station is on because of an `enable` command.

uid

Entity's unique identifier, which is generated when the entity is created.

HDLC Module

12.3 hdlc link logical station

12.3.5 Event Messages

frmr generated

Generated each time the logical station rejected a received frame.

Arguments:

frmr	Contents of the frame reject frame that is returned to the remote station.
frmr reason	Reason for rejecting the frame.
control	One of the control fields is undefined or not implemented by the local station.
format	The frame's control field is invalid because the frame contained information that is not allowed, the frame is supervisory, or the frame is unnumbered and has the wrong length.
length	The information field of the frame exceeds the maximum capacity.
nonspecific	The received frame contains an unspecified number or type of error.
nr	The frame's control field contains an invalid N(R).
received pdu	Header of the frame that caused the generation of the event.

frmr received

Generated each time the remote station rejected a frame.

Arguments:

frmr	Contents of the frame reject frame that is returned to the remote station.
frmr reason	Reason for rejecting the frame.
control	One of the control fields is undefined or not implemented by the local station.
format	The frame's control field is invalid because the frame contained information that is not allowed, the frame is supervisory, or the frame is unnumbered and has the wrong length.
length	The information field of the frame exceeds the maximum capacity.
nonspecific	The received frame contains an unspecified number or type of error.
nr	The frame's control field contains an invalid N(R).
received pdu	Received FRMR that caused the generation of the event.

negotiation failed

Generated each time XID negotiation fails.

Arguments:

local xid	The XID that the local station used during the failed negotiation.
negotiation failure reason	Reason that negotiation with the remote station failed.

HDLC Module

12.3 hdlc link logical station

address id not unique	The preferred addresses and the address-negotiation unique IDs were identical.
incompatible address modes	The remote station wanted to use HDLC's extended addressing which the DIGITAL Network Architecture's implementation does not support.
incompatible crc types	Incompatible CRC types were specified by the two stations.
incompatible sequence moduli	Incompatible sequence moduli were specified by the two stations.
link type mismatch	There has been an attempt to initialize using classes of procedures that are not appropriate for the specified link type.
maximum pdu size too small	The negotiated maximum frame size is less than the value of the hdlc link entity's minimum data size characteristic.
negotiation error	The remote station performed an illegal negotiation operation.
no response	There has been no valid response from the remote station to the generated XID within the number of times specified by the hdlc link entity's retry maximum characteristic.
parameter id not unique	The parameter IDs that should be unique are not so.
protocol id mismatch	An attempt has been made to initialize sequenced data ports with different protocol IDs.
transmission type mismatch	Mismatch in the sync/async bit in the XID.
ui not supported	An attempt has been made to initialize without the UI optional function, which is required when running MOP over an HDLC link.
remote xid	The XID that the remote station used (if any) during the failed negotiation.

station halted

Generated each time the logical station's status attribute protocol state becomes halted.

Argument:

station halted reason	Reason for the logical station to halt its protocol.
disc	A DISC frame was received from the remote station.
dm	A DM frame was received from the remote station.
fbit error	A frame was received from the remote station with an error in the F-bit.
frmr	An FRMR frame was received from the remote station.
local	The initialization was as a result of the enable command.

HDLC Module

12.3 hdlc link logical station

maximum retry	The number of times a frame has been sent has exceeded the value of the hdlc link entity's retry maximum characteristic.
physical	There was a failure in the Physical layer.
unsolicited ua	An unsolicited UA frame was received from the remote station.
user	The initialization was as a result of local user action.
window error	The initialization occurred as part of the recovery from a windowing error.

station initializing

Generated each time the logical station's protocol is successfully initialized or reinitialized.

Argument:

**station
initializing
reason**

Reason for the logical station to initialize its protocol.

disc	A DISC frame was received from the remote station.
dm	A DM frame was received from the remote station.
fbit error	A frame was received from the remote station with an error in the F-bit.
frmr	An FRMR frame was received from the remote station.
local	The initialization was as a result of the enable command.
maximum retry	The number of times a frame has been sent has exceeded the value of the hdlc link entity's retry maximum characteristic.
physical	There was a failure in the Physical layer.
unsolicited ua	An unsolicited UA frame was received from the remote station.
user	The initialization was as a result of local user action.
window error	The initialization occurred as part of the recovery from a windowing error.
xid	An XID frame was received from the remote station.

station inoperative

Generated each time the status attribute protocol state becomes inoperative.

station maintenance

Generated each time the status attribute protocol state becomes maintenance.

station resetting

Generated each time the status attribute protocol state becomes resetting.

Argument:

station resetting reason	Reason for the logical station to perform a reset operation.
fbit error	A frame was received from the remote station with an error in the F-bit.
frmr	An FRMR frame was received from the remote station.
maximum retry	The number of times a frame has been sent has exceeded the value of the entity's <code>retry maximum</code> characteristic.
sabm	A SABM frame was received from the remote station.
unsolicited ua	An unsolicited UA frame was received from the remote station.
window error	The initialization occurred as part of the recovery from a windowing error.

station running

Generated each time the logical station's protocol has been initialized successfully. In addition, the status attribute `protocol state` changes to `running`.

station setup failed

Generated each time the logical station's protocol fails to be initialized following either:

- The expiration of the entity's `maximum retry characteristic` when in the `initializing state`
- A forced disconnection from the remote station

unknown ui pdu received

Generated each time an unsequenced frame is received specifying a protocol ID to which a port has not been opened on this station.

Argument:

received pdu	Received UI frame which caused this event to be generated.
---------------------	--

HDLC Module

12.4 hdlc port

12.4 hdlc port

The `hdlc port` entity represents one end of an HDLC connection. The entity maintains information about that link. Ports are created and deleted automatically when a client of HDLC uses the link. The *port-name* refers to the port managed by this command.

Syntax

```
show [node node-id] hdlc port port-name [all [attributes] | all identifiers | all status ]
```

12.4.1 Identifier Attributes

name

Simple name assigned to the port when it is created.

12.4.2 Status Attributes

client

Name of the client using the port.

logical station

hdlc link logical station entity that the port is operating over.

protocol id

Protocol ID that the port is using. For sequenced ports, this value is decided during negotiation. For unsequenced ports, the value is sent in every UI-frame.

state

State of the port.

open

The port is assigned to a client. If the communications line is unswitched, data transfer can begin. For switched lines, an association must be made with the line before data transfer can begin.

open disabled

The port is associated with a client, but the link or logical station associated with it is disabled.

type

Type of port.

sequenced

The port can send and receive sequenced and unsequenced data.

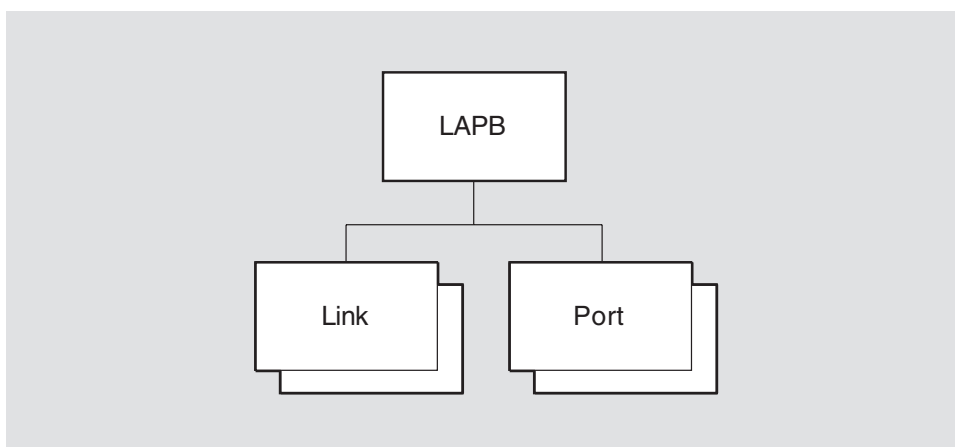
unsequenced

The port can send and receive unsequenced data only.

This chapter describes all the commands you can use to manage the entities that constitute the Link Access Protocol Balanced (LAPB) module. The LAPB module implements one of the protocols in the Link layer described by the DIGITAL Network Architecture (DNA).

Figure 13–1 shows the hierarchical relationship of the entities that constitute the LAPB module.

Figure 13–1 Hierarchy of LAPB Module Entities



LKG-4551-92R

LAPB Module

13.1 lapb

13.1 lapb

The `lapb` entity is the top-level entity in the LAPB module hierarchy of entities. The LAPB module implements the LAPB link level protocol which is a variation of the High-level Data Link Control (HDLC) link level protocol.

Syntax

```
create [node node-id] lapb
```

```
delete [node node-id] lapb
```

```
show [node node-id] lapb [all [attributes] | all characteristics ]
```

13.1.1 Characteristic Attributes

version

Default: None

Version: Current version number

Version number of the DNA HDLC architecture to which this implementation conforms. You cannot modify this characteristic.

13.2 lapb link

A lapb link entity is associated with a port of the supporting Physical layer, and contains attributes that describe local LAPB operation.

Syntax

```
create [node node-id] lapb link link-name profile latin1string
delete [node node-id] lapb link link-name
disable [node node-id] lapb link link-name
enable [node node-id] lapb link link-name

set [node node-id] lapb link link-name {acknowledge timer integer | holdback timer integer | interface
type [DTE or DCE] | maximum data size integer | physical line local-entity-name | poll timer
integer | receive buffers integer (OpenVMS) | retry maximum integer | sequence modulus [8- or
128-modulus] | window size integer }

show [node node-id] lapb link link-name [all [attributes] | all characteristics | all counters | all
identifiers | all status ]
```

13.2.1 Arguments

profile

Name of the X.25 Level 2 Profile that defines subscription details associated with the PSDN to which this DTE is connected. This argument is mandatory and is used to set the profile characteristic.

13.2.2 Characteristic Attributes

acknowledge timer

Default: Supplied by profile **Value:** 1–60000

Time, in milliseconds, to wait for an acknowledgment before initiating recovery action. This attribute corresponds to the LAPB parameter T1. You can modify this characteristic only when the entity is disabled.

holdback timer

Default: Implementation specific **Value:** 0–60000

Delay, in milliseconds, before an acknowledgment must be sent. This characteristic corresponds to the LAPB parameter T2. You can modify this characteristic only when the entity is disabled.

interface type

Default: DTE **Value:** DCE or DTE

Address mode for this link.

dce Use DCE address mode.

dte Use DTE address mode.

You can modify this characteristic only when the entity is disabled.

maximum data size

Default: Supplied by profile **Value:** 1–65532

Maximum frame size, in octets, of an information field in an I-frame.

LAPB Module

13.2 lapb link

physical line

Default: No default

Value: Local-entity-name

Name of the Physical layer line entity over which the LAPB protocol is to operate. You must give this characteristic a value before you enable the link.

poll timer

Default: Implementation specific

Value: Supplied by profile

Maximum period, in seconds, that may elapse without frames being exchanged on the data link. On expiration, an RR(P) is sent to elicit a response from the other end.

profile

Default: No default

Value: String

Name of the X.25 Level 2 Profile that defines subscription details associated with the PSDN to which this DTE is connected. You cannot modify this characteristic. This characteristic is set by means of an argument to the create command.

receive buffers (OpenVMS)

Default: Implementation specific

Value: 1-128

Specifies the number of receive data buffers.

retry maximum

Default: Supplied by profile

Value: 1-255

Maximum number of times a frame will be retransmitted before assuming a fatal error, at which point more drastic error recovery action will be attempted. This characteristic corresponds to the LAPB parameter N2.

sequence modulus

Default: Supplied by profile

Value: 8 or 128

Type of sequence numbering.

8 Use normal sequence numbering.

128 Use extended sequence numbering.

window size

Default: Supplied by profile

Value: 1-127

Window size for transmitting and receiving I-frames. This characteristic corresponds to the LAPB parameter K.

13.2.3 Counter Attributes

buffer unavailable errors (OpenVMS)

Number of times the underlying framing level has indicated system buffer unavailability to the Data Link layer.

crc errors received

Number of frames received with a bad CRC.

creation time

Time at which the entity was created.

data octets received

Number of data octets received from the remote station. This value does not include retransmissions.

data octets sent

Number of data octets sent to the remote station. This value does not include retransmissions.

data pdus received

Number of I-frames received from the remote station. This value does not include retransmissions.

data pdus sent

Number of I-frames sent to the remote station. This value does not include retransmissions.

frmrs received

Number of FRMR frames received.

frmrs sent

Number of FRMR frames generated as a result of invalid incoming frames.

polls received

Number of command frames received with the P-bit set.

rejs received

Number of REJ frames received.

rejs sent

Number of REJ frames transmitted.

rnrns received

Number of RNR frames received.

rnrns sent

Number of RNR frames transmitted.

times acknowledge timer expired

Number of times the local acknowledge timer has expired.

times link halted

Number of times the link halt event has been generated.

times link initializing

Number of times the link initializing event has been generated.

times link inoperative

Number of times the link inoperative event has been generated.

times link maintenance

Number of times the link maintenance event has been generated.

times link resetting

Number of times the link reset event has been generated.

times link running

Number of times the link running event has been generated.

LAPB Module

13.2 lapb link

times link setup failed

Number of times the link setup failure event has been generated.

times link state changed

Number of times a link state transition has occurred.

times pdu receive overrun

Number of times a physical line indicated an overrun condition to the Data Link layer.

times pdu transmit failed

Number of times an attempt to transmit a frame has failed.

13.2.4 Identifier Attributes

name

Simple name assigned to the link when it is created.

13.2.5 Status Attributes

line type

Type of line over which this link operates.

nonswitched The line is a nonswitched line.

switched The line is a switched line.

maximum pdu size

Maximum frame size, in octets, that this station will receive and transmit. This value includes the frame header.

physical port

Name of the Physical layer port with which the link is associated.

protocol state

State of the LAPB protocol with respect to the remote station.

error The protocol is in a recognized error state.

halted The protocol has halted.

initializing The protocol is being initialized.

inoperative The protocol cannot be started without connectivity to the remote station.

maintenance The link is in maintenance mode.

resetting The protocol is undergoing a reset operation.

running The protocol is running normally.

state

Status of the lapb link entity.

off The link is disabled.

on The link is enabled.

uid

Entity's unique identifier, which is generated when the entity is created.

13.2.6 Event Messages

buffer unavailable error (OpenVMS)

Generated when a frame is discarded because there is no buffer available.

frmr received

Generated when an FRMR (frame reject) frame is received from the remote station.

Arguments:

frmr Contents of the header of the FRMR frame.
frmr reason Reason why the FRMR frame was generated. See possible reasons described under the `frame reject generated` event.

frmr sent

Generated when the receipt of a frame causes an FRMR (frame reject) frame to be generated and transmitted to the remote station.

Arguments:

received pdu Header of the frame that caused the event to be generated.
frmr Contents of the generated FRMR frame.
frmr reason Reason why the FRMR frame was generated.
control A received control field is either undefined or is not implemented.
format The received control field is invalid either because the frame contained an unallowed information field, or because the frame is a supervisory or unnumbered frame of incorrect length.
length The received information field is longer than the maximum established capacity.
nonspecific The received frame has an unspecified number or types of errors.
nr The received control field contains an invalid N(R).

link halted

Generated when the status attribute `protocol state` is set to `halted`.

Argument:

link halted reason Reason why the LAPB protocol entered the `halted` state.
disc Link halt caused by remote end.
dm Link halt caused by remote end.
fbit error Link halt caused by remote end.
frmr Link halt caused by remote end.
implementation specific Link halt caused by implementation-specific error.
local Link halt due to local management action.
maximum retry Link halt due to the number of retries reaching the maximum specified in the `characteristic retry maximum`.

LAPB Module

13.2 lapb link

physical	Link halt due to failure of the Physical layer.
unsolicited ua	Link halt caused by remote end.
user	Initialization was result of local user action.
window error	Link halt caused by remote end.

link initializing

Generated when the protocol has been successfully initialized or reinitialized.

Argument:

link initializing reason	Reason why the LAPB protocol entered the initializing state. The reasons are the same as described for the link halted reason argument for the link halted event.
---------------------------------	--

link inoperative

Generated when the status attribute protocol state is set to inoperative.

link maintenance

Generated when the status attribute protocol state is set to maintenance.

link resetting

Generated when the LAPB protocol is being reset successfully.

Argument:

link resetting reason	Reason why the link is resetting.
fbit error	Link reset caused by remote end.
frmr	Link reset caused by remote end.
implementation specific	Link reset is due to implementation-specific error.
maximum retry	Link reset due to the number of retries reaching the value specified in the characteristic retry maximum.
sabm	Link reset caused by remote end.
unsolicited ua	Link reset caused by remote end.
window error	Link reset caused by remote end.

link running

Generated when the LAPB protocol has been initialized successfully and the status attribute protocol state has been set to running.

link setup failed

Generated when the LAPB protocol has failed to initialize correctly after the maximum number of allowed attempts.

link state changed

Generated for each link state transition. The link state shows the new link state.

Argument:

final state	The new setting of the state attribute (on or off).
--------------------	---

pdu receive overrun

Generated each time the underlying physical layer indicates that a receive overrun has been detected.

pdu transmit failed

Generated when a call to transmit a frame at the Physical layer via the internal framing interface fails.

Argument:

pdu transmit failure reason	Failure reason returned by the Physical layer.
disabled	The line has been disabled by network management action.
line down	The line is in the failed state.
no service	The Physical layer service is not available.

13.2.7 Exception Messages

For enable:

client data size not supportable

The data size specified on opening the port cannot now be supported.

incompatible communications mode

The protocol cannot be operated because of an incompatible line.

Argument:

reason	Reason why the line is incompatible with the protocol.
asynchronous mode	The physical line does not support asynchronous mode.
crc not supported	The physical line does not support the physical link for CRC operation.
half-duplex mode	The physical line needs to be in full-duplex mode.

open physical port failed

The open port failed at the Physical layer.

Argument:

reason	Reason why the open port failed.
insufficient resources	A physical port cannot be created due to a lack of system resources.
invalid argument	An illegal data type or value was supplied to the called routines.
line not available	The physical line has already been assigned to another port.
no such physical line	A physical line having the specified name does not exist.

LAPB Module

13.3 lapb port

13.3 lapb port

A `lapb port` entity represents an access point for LAPB module clients to Data Link layer services. The *port-name* refers to the port managed by this command.

Syntax

```
show [node node-id] lapb port port-name [all [attributes] | all identifiers | all status ]
```

13.3.1 Identifier Attributes

name

Simple name assigned to the port when it is created.

13.3.2 Status Attributes

client name

Name of the client with which the port is associated.

link

Name of the link with which the port is associated.

state

State of the `lapb port` entity.

open

The port is assigned to a client.

open disabled

The port is assigned to a client, but the associated link is disabled.

type

Type of port.

sequenced

The port is used for sending LAPB data.

unsequenced

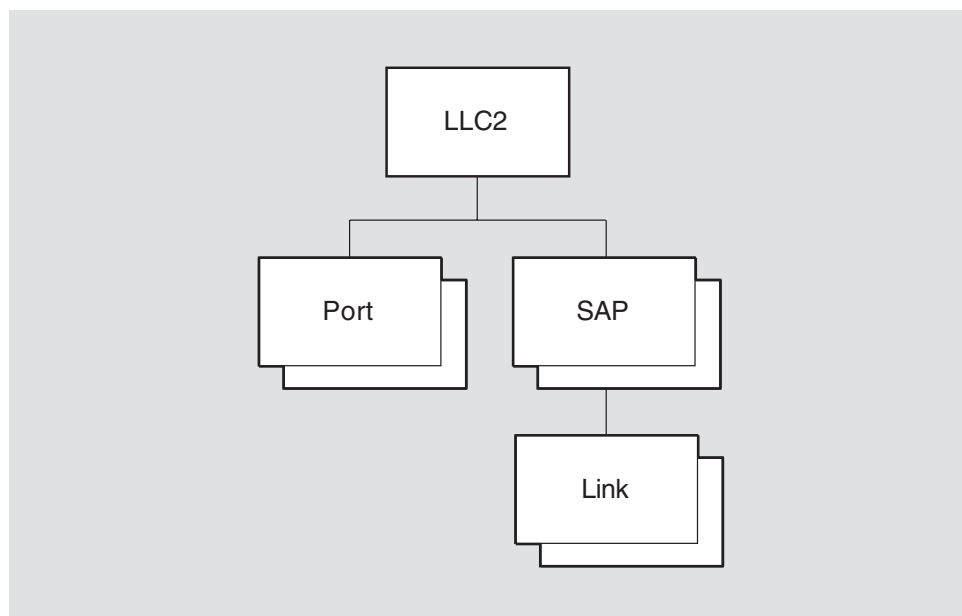
The port is used for sending loopback data. This is only possible if the maintenance mode characteristic of the relevant `lapb link` entity is set to true.

LLC2 Module

This chapter describes all the commands you can use to manage the entities that constitute the LLC2 module. The LLC2 module implements one of the protocols in the Data Link layer described by the DIGITAL Network Architecture (DNA).

Figure 14–1 shows the hierarchical relationship of the entities that constitute the LLC2 module.

Figure 14–1 Hierarchy of LLC2 Module Entities



LKG-5772-92R

LLC2 Module

14.1 llc2

14.1 llc2

The `llc2` entity is the top-level entity in the LLC2 module hierarchy of entities. The LLC2 module controls the operation of the logical link control (LLC) Type 2 data link protocol for local area networks (LANs).

Syntax

```
create [node node-id] llc2
```

```
delete [node node-id] llc2
```

```
show [node node-id] llc2 [all [attributes] | all characteristics ]
```

14.1.1 Characteristic Attributes

version

Version number of the DNA LLC2 architecture to which this implementation conforms. You cannot modify this characteristic. To display this attribute, specify `all` or `version`.

14.2 llc2 port

An llc2 port entity represents an access point to the services offered to clients by the LLC2 module.

Syntax

```
show [node node-id] llc2 port port-name [all [attributes] | all identifiers | all status ]
```

14.2.1 Identifier Attributes

name

Simple name assigned to the port when it is created.

14.2.2 Status Attributes

client

Name of the client that opened the port.

link name

Name of the llc2 sap link entity with which this port is associated.

state

State of the llc2 port entity.

open

The port is assigned to a client and is enabled.

open disabled

The port is assigned to a client but is disabled.

LLC2 Module

14.3 llc2 sap

14.3 llc2 sap

Each llc2 port entity has an llc2 sap (service access point) entity associated with it. An llc2 sap entity allows links to be multiplexed over its associated port.

Syntax

```
create [node node-id] llc2 sap sap-name
delete [node node-id] llc2 sap sap-name
disable [node node-id] llc2 sap sap-name
enable [node node-id] llc2 sap sap-name
set [node node-id] llc2 sap sap-name {lan station local-entity-name | local lsap address hex-number }
show [node node-id] llc2 sap sap-name [all [attributes] | all characteristics | all counters | all status |
all identifiers ]
```

14.3.1 Characteristic Attributes

lan station

Default: No entity name

Value: Local-entity-name

Name of the LAN station entity used by the SAP. You must specify a value for this attribute before you enable the SAP.

local lsap address

Default: 7E

Value: Hex-number

Address of the local link service access point (LSAP) to be used. The lowest significant bit of this value must be clear; that is, the address must be an individual address.

14.3.2 Counter Attributes

creation time

Time at which this entity was created.

times sap state changed

Number of times the status attribute state has changed from on to off, or from off to on.

14.3.3 Identifier Attributes

name

Simple name assigned to the llc2 sap when it is created.

14.3.4 Status Attributes

lan port

Name of the LAN port that is opened and enabled when this SAP is successfully enabled. If the SAP is not enabled, this status has a null value.

maximum pdu size

Largest frame size, in octets, that can be used to send or receive data on this SAP.

state

State of the llc2 sap entity.

off The SAP is disabled.

on The SAP is enabled.

uid

Entity's unique identifier, which is generated when the entity is created.

14.3.5 Event Messages

sap state changed

Generated when the status attribute `state` changes from `on` to `off`, or from `off` to `on`.

Argument:

new sap state New state of the SAP.

14.3.6 Exception Messages

For `enable`:

enable lan port failed

The LAN port could not be enabled.

Argument:

reason Specifies why the `enable` command failed.

invalid argument Software error.

insufficient resources There are insufficient system resources to enable the port.

SAP address not available The SAP address specified by the LSAP (local service access point) address characteristic is already being used, or is invalid.

link data size not supportable

The data size specified by the maximum data size characteristic of one of the `sap link` entities cannot be supported by the SAP.

open lan port failed

A LAN port could not be opened.

Argument:

reason Why the port could not be opened.

invalid argument Software error.

insufficient resources There are insufficient system resources to open the port.

LAN station not available The LAN station specified by the `lan station` characteristic is not usable.

no such LAN station The LAN station specified by the `lan station` characteristic does not exist.

LLC2 Module

14.4 llc2 sap link

14.4 llc2 sap link

An llc2 sap link entity represents one of the links that operates over a particular SAP (service access point).

Syntax

create [node *node-id*] llc2 sap link *sap-name* link *link-name*

delete [node *node-id*] llc2 sap link *sap-name* link *link-name*

disable [node *node-id*] llc2 sap link *sap-name* link *link-name*

enable [node *node-id*] llc2 sap link *sap-name* link *link-name*

set [node *node-id*] llc2 sap link *sap-name* link *link-name* {acknowledge timer *integer* | busy timer *integer* | holdback timer *integer* | local receive window size *integer* | maximum data size *integer* | poll timer *integer* | reject timer *integer* | remote lsap address *hex-number* | remote mac address *ID802* | retry maximum *integer* }

show [node *node-id*] llc2 sap link *sap-name* link *link-name* [all [attributes] | all characteristics | all counters | all identifiers | all status]

14.4.1 Characteristic Attributes

acknowledge timer

Default: 1000

Value: 1–60000

Time, in milliseconds, that the link waits for an acknowledgment before initiating recovery action. The granularity of this timer is 10 milliseconds. Values that are not multiples of 10 are rounded up.

busy timer

Default: 10000

Value: 1–60000

Time, in milliseconds, that the link waits for indication of the clearance of a busy condition at the remote station. The granularity of this timer is 10 milliseconds. Values that are not multiples of 10 are rounded up.

holdback timer

Default: 500

Value: 0–60000

Delay, in milliseconds, before an acknowledgment must be sent. The granularity of this timer is 10 milliseconds. Values that are not multiples of 10 are rounded up.

local receive window size

Default: 127

Value: 1–127

Window size used by the link for receiving frames.

maximum data size

Default: 1028

Value: 1–65531

Largest frame size, in octets, that the link can use to send or receive data. This value does not include the size of the frame header.

poll timer

Default: 1000 **Value:** 1–60000

Time, in milliseconds, that the link waits for a response with the F-bit set. The granularity of this timer is 10 milliseconds. Values that are not multiples of 10 are rounded up.

reject timer

Default: 3000 **Value:** 1–60000

Time, in milliseconds, that the link waits for a reply to a REJ (reject) frame. The granularity of this timer is 10 milliseconds. Values that are not multiples of 10 are rounded up.

remote lsap address

Default: 7E **Value:** hex-number

Address of the destination LSAP (link service access point) to be used by the link. The lowest significant bit must be clear; that is, the address must be an individual address.

remote mac address

Default: 00-00-00-00-00-00 **Value:** ID802

Destination MAC address to be used by the link. The lowest significant bit of the first octet must be clear; that is, the address must be an individual address.

retry maximum

Default: 10 **Value:** 1–255

Maximum number of times that the link retransmits a frame before assuming a fatal error and taking more drastic recovery action.

14.4.2 Counter Attributes

creation time

Time at which this entity was created.

data octets received

Number of data octets received in I-frames and UI-frames from the remote end of the link. This value does not include data octets in retransmissions.

data octets sent

Number of data octets transmitted in I-frames and UI-frames to the remote end of the link. This value does not include data octets in retransmissions.

data pdus received

Number of I-frames and UI-frames received from the remote end of the link. This value does not include retransmissions.

data pdus sent

Number of I-frames and UI-frames transmitted to the remote end of the link. This value does not include retransmissions.

fmrs received

Number of FRMR (frame reject) frames received.

LLC2 Module

14.4 llc2 sap link

frmr sent

Number of FRMR (frame reject) frames generated as a result of invalid incoming frames.

polls received

Number of command frames received with the P-bit set.

rejs received

Number of REJ (reject) frames received.

rejs sent

Number of REJ (reject) frames transmitted.

rnr received

Number of RNR (receive not ready) frames received.

rnr sent

Number of RNR (receive not ready) frames transmitted.

times acknowledge timer expired

Number of times the local acknowledge timer has expired.

times busy timer expired

Number of times the local busy timer has expired.

times link halted

Number of times the link's status attribute protocol state was set to halted.

times link initializing

Number of times the link's status attribute protocol state was set to initializing.

times link inoperative

Number of times the link's status attribute protocol state was set to inoperative.

times link resetting

Number of times the link's status attribute protocol state was set to resetting.

times link running

Number of times the link's status attribute protocol state was set to running. When the link enters the running state, the protocol has been successfully initialized or reset.

times link setup failed

Number of times the LLC2 protocol fails to initialize correctly after the maximum number of retries.

times link state changed

Number of times the link's status attribute STATE changed from on to off, or from off to on.

times poll timer expired

Number of times the local poll timer has expired.

times reject timer expired

Number of times the local reject timer has expired.

xids received

Number of XID frames received.

xids sent

Number of XID frames transmitted.

14.4.3 Identifier Attributes

name

Simple name assigned to the link when it is created.

14.4.4 Status Attributes

protocol state

State of the LLC2 protocol with respect to the remote station.

error	The protocol is in a recognized error state.
halted	The protocol has halted.
initializing	The protocol is being initialized.
inoperative	The protocol cannot be started because the LAN station cannot provide a connection to a remote system.
resetting	The protocol is being reset.
running	The protocol is running normally.

remote llc class

Class of the remote LLC.

1	Class 1 LLC. Only type 1 operation is supported.
2	Class 2 LLC. Both type 1 and type 2 operations are supported.
unknown	The class has not yet been established. The class is not established until XID frames have been exchanged between the local and remote LLC implementations.

remote receive window size

Window size used by the remote station for receiving frames. The local station uses this value as its window for transmitting frames.

state

State of the llc2 link entity.

off The link is disabled.

on The link is enabled.

uid

Entity's unique identifier, which is generated when the entity is created.

14.4.5 Event Messages

frame reject generated

Generated when the receipt of a frame causes an FRMR (frame reject) frame to be generated and transmitted to the remote station.

Arguments:

frame Contents of the header of the frame that caused the FRMR frame to be generated.

LLC2 Module

14.4 llc2 sap link

frame reject reason	Why the FRMR frame was rejected.
control	A received control field is undefined or is not implemented.
format	The frame contains an unallowed information field, or contains a supervisory or unnumbered field of incorrect length.
length	A received information field exceeds the maximum length.
nr	A received control field contains an invalid N(R).
ns	A received control field contains an invalid N(S).
nonspecific	The frame contains an unspecified number or type of errors.
generated frmr	Contents of the generated FRMR frame that is sent to the remote station.

frame reject received

Generated when an FRMR (frame reject) frame is received from the remote station.

Arguments:

frame	Contents of the header of the received FRMR frame.
frame reject reason	Why the frame was rejected. See possible reasons described under the <code>frame reject reason</code> argument of the <code>frame reject generated</code> event.

link halted

Generated when the status attribute protocol state is set to halted.

Argument:

link halted reason	Why the protocol halted.
disc	A DISC frame was received. The remote end has disconnected the link.
dm	A DM frame was received. The remote end has disconnected the link.
frmr	A FRMR frame was received. The remote end has detected a frame error.
implementation specific	The cause is unknown.
LAN	The LAN station has failed.
local	Local management action on the sap or link entities has halted the link.
maximum retry	A PDU had to be retransmitted the maximum number of times without response from the remote end.
user	Local client action has halted the link.

link initializing

Generated when the protocol has been successfully initialized or reinitialized.

Argument:

link initializing reason Why the protocol was initialized or reinitialized. See possible reasons described under the link halted reason argument of the link halted event.

link inoperative

Generated when the status attribute protocol state is set to *inoperative*.

link resetting

Generated when the status attribute protocol state is set to *resetting*.

Argument:

link resetting reason Why the protocol is being reset.

frmr	A FRMR frame was received. The remote end has detected a frame error.
implementation specific	The reason is unknown.
maximum retry	A PDU had to be retransmitted the maximum number of times without response from the remote end.
sabme	A SABME frame was received. The remote end has reset the link.

link running

Generated when the status attribute protocol state is set to *running*. This means that the protocol has been successfully initialized or reset.

link setup failure

Generated when LLC2 protocol initialization has failed after the maximum number of retries.

link state changed

Generated when the status attribute state changes from on to off, or from off to on.

14.4.6 Exception Messages

For enable:

client data size not supportable

The data size specified by a client that has opened an LLC2 port to use this link cannot be supported.

link data size not supportable

The data size specified by the characteristic maximum data size cannot be supported by the SAP that owns this link.

remote address in use

The remote MAC address and remote link service access point (hex-number LSAP) address are already being used by another link.

Loopback Application Module

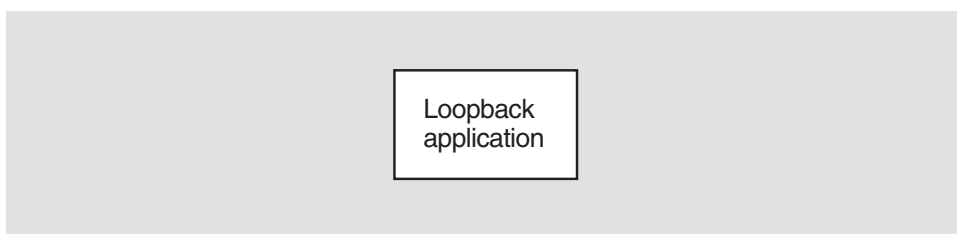
The Loopback Application module allows a network manager to invoke a loopback test between applications on two nodes, thus testing all the supporting layers of the DIGITAL Network Architecture (DNA).

The Loopback Application module has two components:

- The loop access module, which initiates the loopback test.
- The loop mirror module, which accepts connections from the remote loop access modules and mirrors any data sent to it back to the sender.

Figure 15–1 shows the hierarchical relationship of the entities that constitute the Loopback Application module.

Figure 15–1 Hierarchy of Loopback Application Module Entities



LKG-4923-92R

Loopback Application Module

15.1 loopback application

15.1 loopback application

The loopback application entity describes features of the Loopback Application module which allows you to run a loopback test between two nodes or itself. The loopback application entity is created and deleted automatically with the node entity, and is always enabled.

Syntax

```
loop [node node-id] loopback application {address tower-set | count integer | format hex-string |  
length integer | maximum data integer | maximum mirrors integer | name full-name }  
  
set [node node-id] loopback application {maximum mirrors integer}  
  
show [node node-id] loopback application [all [attributes] | all characteristics ]
```

15.1.1 Commands

loop

Starts a loop test between the loopback applications on the specified source and destination nodes. The node keyword specifies the node from which the loop messages are sent. If you omit this keyword, the test is performed from the node on which you issue the loop command. The name or address argument specifies the node whose loop mirror is used to reflect the messages back to the originator. Specify either the name or address (but not both).

15.1.2 Characteristic Attributes

address *tower-set*

Number of the destination for loopback messages, in the form of a protocol tower. Specify either this argument or the name argument.

count *integer*

Default: 1

Value: 0–4294967295

Number of loop messages to be sent to the loop mirror. The test is complete when this number of loop messages has been reflected back by the loop mirror.

format *hex-string*

Default: 55

Value: 00–FF

Content of the data field of a loop message. Enter a pair of hexadecimal digits. Each octet in the data field of a loop message has this value.

length *integer*

Default: 40

Value: 0–65534

Length, in octets, of the data field in each loop message.

maximum data

The maximum size, in octets, of the loop message data field that the loop mirror can reflect. If the loop mirror receives a loop message with a longer data field, an error occurs.

For Tru64 UNIX, to limit the number of loop mirrors, use the maximum instances characteristic of the session control application mir entity.

maximum mirrors *integer*

Default: 0

Value: 0–4294967295

Enter the maximum number of loop mirrors supported. If you enter the value 0, the node supports an unlimited number of mirrors.

For Tru64 UNIX, to limit the number of loop mirrors, use the maximum instances characteristic of the session control application mir entity.

name *full-name*

DNS name of the node to which loopback messages are sent. Specify either this argument or the address argument, but not both.

15.1.3 Exception Messages

For loop:

bad data at mirror

There has been an error in the loopback protocol. The possible errors are:

- The local node sent a loop message with a data field that was too long.
- The first octet of the loop message was corrupted when it arrived at the mirror module.

Arguments:

count	Requested number of messages in the loopback test (that is, the value of the count argument).
message number	Number of the loop messages in which the error occurred.
start time	Time at which the loopback test began.

both name and address specified

Both the name and address arguments have been specified. You must specify one of these arguments, but not both.

connection failed

The Session Control connection to the loop mirror failed.

Arguments:

reason	Reason why the connection failed. This is the reason code provided by Session Control.
start time	Time the loopback test began.

data returned differs from data sent

The data field in a loop message reflected back by the loop mirror is not the same as the data field in the loop message that was sent.

Arguments:

count	Requested number of messages in the loopback test (that is, the value of the count argument).
format	Value for each octet of the data field of the loop message (that is, the value of the format argument).
length	Length of the data field of the loop message, as requested by the length argument.

Loopback Application Module

15.1 loopback application

message number Number of the loop message in which the error occurred.

message returned Contents of the reflected loop message.

start time Time the loopback test began.

disconnected

The link to the loop mirror was disconnected before the loopback test was completed.

Arguments:

count Requested number of messages in the loopback test (that is, the value of the count argument).

message number Number of the loop message in which the error occurred.

reason Reason why the link was disconnected. This is the reason code returned by Session Control.

start time Time the loopback test began.

length too long

The requested length of the data field is greater than the maximum data field length that the loop mirror can handle.

Arguments:

length Data field length requested, in octets.

maximum data Maximum data field length supported by the loop mirror.

start time Time at which the loopback test began.

neither name nor address specified

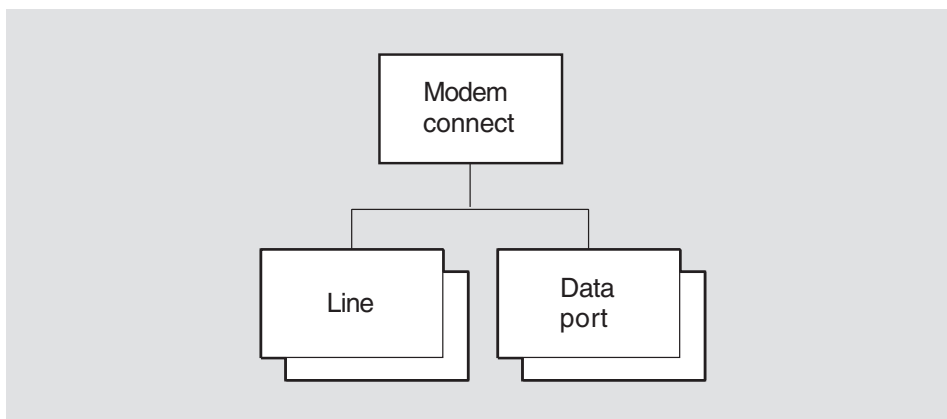
You have not specified the name or the address argument. You must specify one of these arguments, but not both.

Modem Connect Module

This chapter describes all the commands you can use to manage the entities that constitute the Modem Connect module. The Modem Connect module implements one of the protocols in the Physical layer described by the DIGITAL Network Architecture (DNA).

Figure 16–1 shows the hierarchical relationship of the entities that constitute the Modem Connect module.

Figure 16–1 Hierarchy of Modem Connect Module Entities



LKG-4552-92R

Modem Connect Module

16.1 modem connect

16.1 modem connect

The `modem connect` entity is the top-level entity in the hierarchy of entities belonging to the Modem Connect module.

Syntax

```
create [node node-id] modem connect
```

```
delete [node node-id] modem connect
```

```
show [node node-id] modem connect [all [attributes] | all characteristics ]
```

16.1.1 Characteristic Attributes

DNA version

Version number of the DNA Modem Connect architecture to which the implementation conforms. You cannot modify this characteristic.

16.2 modem connect data port

The `modem connect data port` entity is associated with a line and handles the transfer of data. Data ports are created and deleted automatically when a client of the Modem Connect module uses a line. The *port-name* refers to data port managed by this command.

Syntax

```
show [node node-id] modem connect data port port-name [all [attributes] | all identifiers | all status ]
```

16.2.1 Identifier Attributes

name

Simple name assigned to the data port when it is created.

16.2.2 Status Attributes

client

Name supplied by the client when the port was opened. This defines which client owns the port.

line

Name of the `modem connect line` entity that the client supplied when the port was opened.

state

State of data port.

open

The port is assigned to a client.

open disabled

The port is assigned to a client, but the line entity that port refers to is disabled.

Modem Connect Module

16.3 modem connect line

16.3 modem connect line

A `modem connect line` entity is associated with a physical circuit on the node. Usually, there is one line entity for each circuit. The *line-name* refers to the line managed by this command.

Syntax

```
add [node node-id] modem connect line line-name modem options set of modem-option

create [node node-id] modem connect line line-name {communications mode comm-mode |
  communication port port-name | connection type conn-type (Tru64 UNIX) | duplex full-or-half |
  profile profile-name | rate select rate (OpenVMS) }

delete [node node-id] modem connect line line-name

disable [node node-id] modem connect line line-name

enable [node node-id] modem connect line line-name

remove [node node-id] modem connect line line-name modem options set of modem-option

set [node node-id] modem connect line line-name {alternate speed bits-per-second | call accept
  timer integer | carrier loss timer integer | clock clock-source | encoding [normal or nrzi] |
  initial hold timer integer (Tru64 UNIX) | maximum call setup timer integer | maximum disable
  transmit timer integer | maximum dsr deassertion timer integer | maximum enable transmit timer
  integer | minimum dtr deassertion timer integer | modem control [full or none] | modem options
  [modem-option] | modem protocol format type (Tru64 UNIX) | modem protocol type prot-type
  (Tru64 UNIX) | rate select [high or low] | speed bits-per-second | successful call indication timer
  integer | suppress test indicator boolean | transmit holdoff timer integer }

show [node node-id] modem connect line line-name mode [all [attributes] | all characteristics | all
  counters | all identifiers | all status ]

startloop [node node-id] modem connect line line-name mode {driver or device | local or remote |
  connector or external }

stoploop [node node-id] modem connect line line-name
```

16.3.1 Commands

startloop

Causes a Physical layer to place the line in loopback mode.

stoploop

Opens a previously closed Physical layer loop to take it out of loopback mode.

16.3.2 Arguments

communications mode *mode*

Communications method used on the link. This argument determines the value of the `communications mode` characteristic. The default value is taken from the device capability. If that is unknown, the default is synchronous.

communications port *port-name*

The system device name assigned to this line.

On OpenVMS systems, the name must be in the format *ddc*, where *dd* is the OpenVMS device name prefix and *c* is the controller letter. For a complete list of CSMA-CD devices and their OpenVMS device names, see the Documentation Errata and Addenda chapter in the *HP DECnet-Plus for OpenVMS Release Notes*.

On Tru64 UNIX systems, the name must be in the format *ddn*, where *dd* is the Tru64 UNIX device name prefix and *n* is the device number.

This argument determines the value of the `communications port` characteristic and is required.

duplex *duplex*

Specifies whether the line is full-duplex or half-duplex. This argument determines the value of the `duplex` characteristic. The default value is taken from the device capability. If that is unknown, the default is set to full.

mode *mode*

Method of startloop used on line.

connector	Data is looped through a loopback connector attached to the communications device.
device	Data is looped in the communications device.
driver	Data is looped in the driver of the communications device.
external	Data is looped through a null modem or a modem in loopback mode.
local	Communications device has switched its local modem into loopback mode.
null	Line is not in loopback mode. This argument only applies to Tru64 UNIX.
remote	Communications device has switched the remote modem into loopback mode.

profile *Latin1String*

Name of a local profile to be used with the line. This argument determines the value of the `profile` characteristic.

16.3.3 Characteristic Attributes

alternate speed

Default: 0

Alternate (low) speed, in bits per second, to operate the line. You can modify this characteristic only when the entity is disabled. This characteristic is supported only when the characteristic `communications mode` is asynchronous, the characteristic `modem control` is full, the characteristic `modem options` includes `rateselect`, the characteristic `clock` is internal, and when the alternate line speed is needed.

call accept timer

Default: 0

Minimum time, in milliseconds, between the assertion of `data set ready` and accepting a call by asserting `request to send`. This attribute is maintained only if the characteristic `modem control` is set to `none`.

carrier loss timer

Default: 15000

Maximum time, in milliseconds, that the carrier detect signal can be absent before the loss of carrier event is generated. This attribute is not supported if the characteristic `modem control` is set to `none`.

Modem Connect Module

16.3 modem connect line

clock

Source of the transmit and receive clocks.

external The modem provides the clock.

internal The communications device provides the clock.

reflected The DTE transmit clock is a reflection of the DCE transmit clock. This minimizes the clock to data skew that the DCE encounters when high line speeds are used.

The default value depends on the setting of the characteristic communications mode. If communications mode is asynchronous, the default value of this characteristic is internal. Otherwise, the default value is external.

The value of this attribute has no effect when the communications line is in loopback mode. In this case, the type of loopback determines the type of clock. This characteristic can only be modified when the entity is disabled.

communications mode

Default: Synchronous

Value: Asynchronous or synchronous

Communications method to be used on the line. The value of this characteristic is a copy of the communications mode argument specified when the entity is created. You cannot modify this characteristic.

communications port

Default: None

Name of the communications port. The value of this characteristic is a copy of the communications port argument specified when the entity is created.

connection type (Tru64 UNIX)

Default: Nonswitched

Value: Nonswitched or switched

Indicates whether the line is switched or nonswitched. The value of this characteristic is a copy of the connection type argument specified when the entity is created. You cannot modify this characteristic.

duplex

Default: Full

Value: Full or half

Indicates whether the line is full- or half-duplex. The value of this characteristic is a copy of the duplex argument specified when the entity is created.

encoding

Default: Normal

Value: Normal or nrzi

Encoding technique used on the line. This characteristic can only be modified when the entity is disabled.

initial hold timer (Tru64 UNIX)

Default: 10

Maximum time, in seconds, that the entity waits for an incoming call to be accepted.

maximum call setup timer (Tru64 UNIX)

Default: 60

Maximum time, in seconds, that the entity waits for the outgoing call to connect.

maximum disable transmit timer

Default: 500

Value: 0–60000

Maximum time, in milliseconds, that clear to send can remain asserted before the line is disconnected after request to send is deasserted. This attribute is not supported if the characteristic modem control is set to none.

maximum dsr deassertion timer

Default: 5000

Value: 0–60000

Maximum time, in milliseconds, the entity will wait for data set ready to be deasserted after it has deasserted data terminal ready. If this timer expires, the entity assumes it can assert data terminal ready once again. This attribute is not supported if the characteristic modem control is set to none.

maximum enable transmit timer

Default: 2000

Value: 1–5000

Maximum time, in milliseconds, between the assertion of the request to send signal and receiving the assertion of the clear to send signal. This attribute is not supported if the characteristic modem control is set to none.

minimum dtr deassertion timer

Default: 1000

Value: 0–60000

Minimum time, in milliseconds, that the DTE will deassert data terminal ready during a disconnection. This attribute is not supported if the characteristic modem control is set to none.

modem control

Default: Full

Value: Full or none

Indicates whether the interchange circuits are to be monitored and used. The value none means that only the data leads are monitored.

The value full must be used when the value of the characteristic duplex is half. This characteristic is supported only if the characteristic connection type is switched.

modem options

Default: No options

Value: Set of options

Set of values that determine the capabilities of the modem.

dialout

The modem can dial the remote modem. Supported only if the value of communications type is switched. This value is supported by Tru64 UNIX only.

Modem Connect Module

16.3 modem connect line

- direct** The modem is directly connected to the remote modem through a nonswitched line. Supported only if accompanied with `dialout` and used only when the `modem protocol type` supports direct dial. This value is supported by Tru64 UNIX only.
- rate select** The modem is capable of data rate selection.

modem protocol format (Tru64 UNIX)

Default: See description **Value:** See description

Format to use for V.25bis protocol messages. This characteristic applies only when the characteristic `modem protocol type` is `v25bis` or `dmcl`.

- asynchronous** Use the asynchronous format.
- hdlc** Use the HDLC format.
- synchronous** Use the synchronous format.

The default value depends on the value of the characteristic `communications mode`. If `communications mode` is asynchronous, the default value of this characteristic is also asynchronous. If the value of `communications mode` is synchronous, the default value of this characteristic is `hdlc`.

modem protocol type (Tru64 UNIX)

Default: V25bis **Value:** See description

Protocol that the modem uses to select modem options and to set line control parameters.

- at** A set of automatic calling procedures used in the Hayes Smart Modem 2400.
- dmcl** The DIGITAL Modem Control Language, based on V.25bis.
- v25** A set of automatic calling and answering procedures defined by CCITT. These procedures use the 200-series circuits defined in the CCITT recommendation V.24. The V.25 procedures are also known as parallel automatic calling procedures.
- v25bis** A set of automatic calling and answering procedures defined by CCITT. These procedures use the 100-series circuits defined in the CCITT recommendation V.24. The V.25bis procedures are also known as serial automatic calling procedures.

profile

Default: None

Name of the local profile to be used with the line. This profile is used to restrict the range of various line attributes, and to change the defaults for those attributes. The value of this characteristic is a copy of the `profile` argument specified when the entity is created.

rate select

Default: High **Value:** High or low

Specifies which of the line rates is to be used if none is specified when a call is set up.

- high** The value of the speed characteristic is used.
- low** The value of the alternate speed characteristic is used.

This characteristic is supported only if the characteristic `modem control` is `full`, and if the characteristic `modem options` includes `rateselect`.

speed

Default: 0

High speed, in bits per second, to be used on the line. This value is always used on asynchronous links. It is used on synchronous links only in the following circumstances:

- When the value of the `clock` characteristic is `internal`.
- When a null modem cable is detected.
- When using a loopback mode that uses internal clocking.

successful call indication timer

Default: 30

Maximum time, in seconds, that the entity will wait for indication of a successful call before disconnecting the line. This attribute is not supported if the characteristic `modem control` is set to `none`.

suppress test indicator

Default: False

Value: True or false

Specifies whether the test mode signal is to be monitored. If the value is `false`, a change in the circuit will be monitored and will cause a Test Indication event to be generated.

You should set this characteristic to `true` in cases where the transitions of this signal are not produced by entering the test mode, so that this signal should be ignored.

transmit holdoff timer

Default: 0

Necessary delay, in milliseconds, between the transmitter being disabled and then reenabled. The value 0 means that the request to send signal can be asserted as soon as the client requests it. This attribute is not supported if the characteristic `modem control` is set to `none`.

16.3.4 Counter Attributes

cable faults

Total number of times the communications cable was detected as missing or invalid.

creation time

Time at which this entity was created.

device errors

Total number of times a potential device error has been reported.

framing errors

Total number of framing errors detected on the line. This counter is not supported if the characteristic `communications mode` is `synchronous`.

Modem Connect Module

16.3 modem connect line

losses of carrier

Total number of times the carrier on the line was lost. This attribute is not supported if the characteristic modem control is set to none.

losses of clock

Total number of times the transmit or receive clock was lost.

outgoing call failures (Tru64 UNIX)

Total number of times an outgoing call failed to connect.

rate fallbacks

Number of times the DTE changed from the high data rate to the low (alternate) rate. This counter is supported only if the characteristic modem options includes rate select, and if the characteristic modem control is full.

test indications

Number of times the DCE was put into test mode by the remote system. This attribute is not supported if the characteristic modem control is set to none.

times cable detected

Total number of times a valid communications cable was detected following an error counted by the counter cable faults.

times dce not ready

Total number of times a dce not ready event occurred. This attribute is not supported if the characteristic modem control is set to none.

times reset (OpenVMS)

Number of times the data link client has performed a line reset.

transmit enable timeouts

Number of times the DCE failed to assert clear to send in response to request to send. This attribute is not supported if the characteristic modem control is set to none.

16.3.5 Identifier Attributes

name

Simple name assigned to the line when it is created.

16.3.6 Status Attributes

actual speed

Actual speed of the line, in bits per second. For internal clocking on some microcoded devices, a value of 0 indicates that the device has selected a speed appropriate for the connected interface. For external clocking, a value of 0 indicates that the speed is unknown.

device availability (OpenVMS)

Indicates whether the hardware device associated with the named communications port is installed. Support is mandatory on systems that support line card hot swap. When device availability has the value no device, the interface state takes the value pending DTE Ready and the interface type attribute takes the value unknown.

interface state

State of the physical interface on the line.

connected	A switched line is connected but not ready to transmit or receive data.
connecting	Call setup on a switched line is in progress.
disconnecting	Call clear on a switched line is in progress.
dte not ready	The entity is disabled.
dte ready	The DTE is ready, but the DCE is not ready.
full enabled	The line is enabled for data transmission and reception.
pending dte ready	The entity is enabled but the ready state cannot be entered. For example, the communications cable is not connected.
ready	Both DTE and DCE are ready.
receive enabled	The line is ready to receive data.
transmit enabled	The line is ready for data transmission.

interface type

Type of the physical interface connection.

loopback	A loopback connector has been detected on the interface.
no cable	No cable is connected to the interface.
null modem	A null modem cable is connected to the interface.
rs232c	A cable conforming to the RS-232-C standard is attached.
rs422	A cable conforming to the RS-422 standard is attached.
rs423-v24	This value appears where a cable is attached but the connector cannot distinguish between the RS-423 and V.24 standards.
rs449	A cable conforming to the RS-449 standard is attached.
unknown	A cable is attached but its type is not known
v28	A cable conforming to any of the CCITT V.24, V.28 standards, the IS 2110 standard, or the EIA-232-D standard.
v35	A cable conforming to the V.35 standard is attached.
x21	A cable conforming to the X.21 standard is attached.

loopback mode

Type of loopback in use on the line. The value of this status attribute is determined by the `startloop` and `stoploop` commands.

connector	Data is looped through a loopback connector attached to the communications device.
device	Data is looped in the communications device.
driver	Data is looped in the driver of the communications device.
external	Data is looped through a null modem or a modem in loopback mode.
local	The communications device has switched its local modem into loopback mode.
null	The line is not in loopback mode.
remote	The communications device has switched the remote modem into loopback mode.

Modem Connect Module

16.3 modem connect line

modem type

String identifying the local modem. If this status attribute has no value, the type could not be determined.

state

Specifies the status of the modem connect line entity.

off The line has been disabled.

on The line has been enabled.

uid

Entity's unique identifier, which is generated when the entity is created.

16.3.7 Interchange Circuit Attributes

The modem connect line entity in the Modem Connect module has an extra set of status attributes that let you examine the instantaneous status of the interchange circuits on the line.

These circuit attributes are known by different names in the various interface standards. Table 16–1 shows how the attribute names used in NCL correspond to those used in the interface standards. For instance, the data terminal ready attribute is the name used for the CCITT V.24 circuit 108/2, the EIA-232-D CD circuit, the RS-499 TR circuit, and so on.

When entering commands, always use the NCL attribute name. When displayed, each attribute has one of the following values:

asserted	The circuit is asserted.
not applicable	The circuit does not exist on the interface.
not asserted	The circuit is not asserted.
unknown	The modem cable is not connected or is invalid.

Table 16–1 Modem Connect Line Interchange Circuits

NCL Attribute Name	Circuit	Description
CCITT V.24		
carrier detect	109	Data channel received line signal detector
clear to send	106	Ready for sending
data set ready	107	Data set ready
data terminal ready	108/2	Data terminal ready
local loopback	141	Local loopback
remote loopback	140	Loopback/maintenance test
request to send	105	Request to send
ring indicator	125	Calling indicator
signaling rate indicator	112	Data signal rate selector (DCE)
signaling rate selector	111	Data signal rate selector (DTE)
test mode	142	Test indicator

(continued on next page)

Table 16–1 (Cont.) Modem Connect Line Interchange Circuits

NCL Attribute Name	Circuit	Description
DIN 66020 Blatt 1		
carrier detect	M5	—
clear to send	M2	—
data set ready	M1	—
data terminal ready	S1.2	—
local loopback	PS3	—
remote loopback	PS2	—
request to send	S2	—
ring indicator	M3	—
signaling rate indicator	Not supported	—
signaling rate selector	S4	—
test mode	PM1	—
EIA-232-D		
carrier detect	CF	Received line signal detector
clear to send	CB	Clear to send
data set ready	CC	DCE ready
data terminal ready	CD	DTE ready
local loopback	LL	Local loopback
remote loopback	RL	Remote loopback
request to send	CA	Request to send
ring indicator	CE	Ring indicator
signaling rate indicator	CI	Data signal rate selector (DCE)
signaling rate selector	CH	Data signal rate selector (DTE)
test mode	TM	Test mode
RS-232-C		
carrier detect	—	Received line signal detector
clear to send	—	Clear to send
data set ready	—	Data set ready
data terminal ready	—	Data terminal ready
local loopback	—	Not supported
remote loopback	—	Not supported
request to send	—	Request to send
ring indicator	—	Ring indicator
signaling rate indicator	—	Data signal rate selector (DCE)
signaling rate selector	—	Data signal rate selector (DTE)
test mode	—	not supported

(continued on next page)

Modem Connect Module

16.3 modem connect line

Table 16–1 (Cont.) Modem Connect Line Interchange Circuits

NCL Attribute Name	Circuit	Description
RS-449		
carrier detect	RR	Receiver ready
clear to send	CS	Clear to send
data set ready	DM	Data mode
data terminal ready	TR	Terminal ready
local loopback	LL	Local loopback
remote loopback	RL	Remote loopback
request to send	RS	Request to send
ring indicator	IC	Incoming call
signaling rate indicator	SI	Signaling rate indicator
signaling rate selector	SR	Signaling rate selector
test mode	TM	Test mode

16.3.8 Event Messages

cable detected

Generated when a valid communication cable is detected following a cable fault event.

Arguments:

current interface type	Type of cable detected.
loopback	A loopback connector has been detected.
null modem	A null modem has been detected.
rs232c	A cable conforming to the RS-232-C standard has been detected.
rs449	A cable conforming to the RS-449 standard has been detected.
rs422	A cable conforming to the RS-422 standard has been detected.
rs423-v24	A cable is attached, but the connector cannot distinguish whether it conforms to RS-423 or V.24 standards.
v.28	A cable conforming to any of the CCITT V.24, CCITT V.28, IS2110, or EIA-232-D standards has been detected.
v.35	A cable conforming to the V.35 standard has been detected.
x.21	A cable conforming to the X.21 standard has been detected.
previous interface type	Previous type of cable detected.
no cable	No cable was attached to the interface.
unknown	A cable was attached, but its type was unknown.

Modem Connect Module 16.3 modem connect line

cable fault

Generated each time the communications cable is detected as missing or invalid.

Arguments: The call reference argument is present only if the characteristic connection type is switched.

call reference The call reference number of the call that was disconnected because of the fault.

previous interface type Type of cable that was connected before the error was detected.

loopback A loopback connector.

null modem A null modem cable.

rs232c A cable conforming to the RS-232-C standard.

rs422 A cable conforming to the RS-422 standard.

rs423-v24 A cable is attached, but the connector cannot distinguish whether it conforms to RS-423 or V.24 standards.

rs449 A cable conforming to the RS-449 standard.

unknown A cable was connected but its type was unknown.

v.28 A cable conforming to any of the CCITT V.24, CCITT V.28, IS2110, or EIA-232-D standards.

v.35 A cable conforming to the V.35 standard.

x.21 A cable conforming to the X.21 standard.

reason Reason that caused the event to occur.

invalid cable A cable is attached but it is not one of those recognized.

no cable No cable can be detected.

clock loss

Generated each time a loss of the transmit or receive clock is detected. Once this event occurs, the value of the interface state attribute changes to pending dte ready.

dce not ready

Generated each time a dce not ready condition is detected. Once this event occurs, the value of the interface state attribute changes to dte ready. This event does not occur if the characteristic modem control is set to none.

device error

A potential device error has been detected. This may be a temporary condition that means the device can continue to be used.

Argument:

reason Reason for the failure. This is device specific.

framing error

Generated each time an asynchronous framing error occurs.

loss of carrier

Generated each time the carrier frequency is lost while receiving data. This event is not supported if the characteristic modem control is none.

Modem Connect Module

16.3 modem connect line

rate fallback

Generated each time the DCE indicates that it is changing from the high data rate (as indicated by the speed characteristic) to the low data rate (as indicated by the alternate speed characteristic). This can occur if there is excessive noise when operating at the high data rate. This event is supported only when the modem has a rate selection capability.

reset (OpenVMS)

Generated each time the Data Link client represents a line reset by means of the service interface.

test indication

Generated each time the remote system tests the DCE. When this event occurs, the value of the interface state attribute changes to `dte ready`. This event is not supported if the characteristic `modem control` is `none`.

transmit enable timeout

Generated whenever the time to assert the clear to send signal (after receiving the request to send signal) is greater than that specified in the maximum enable transmit timer characteristic. This event is not supported if the characteristic `modem control` is `none`.

16.3.9 Exception Messages

For `startloop`:

already in loopback

The modem connect line entity specified in the command is already in loopback mode. Check that you specified the correct entity. Reissue the command with the correct name.

constraint violation

One of the following constraints has been violated:

- The implementation does not support the requested loopback mode.
- The requested loopback mode is incompatible with the communications interface type.
- The line is half-duplex.

line disabled

This modem connect line entity is disabled.

For `create`:

communications port in use

Another entity has reserved the communications port specified in the command. Check that you specified the correct port. Reissue the command specifying another port or modify the other entity to use a different port.

For `enable`:

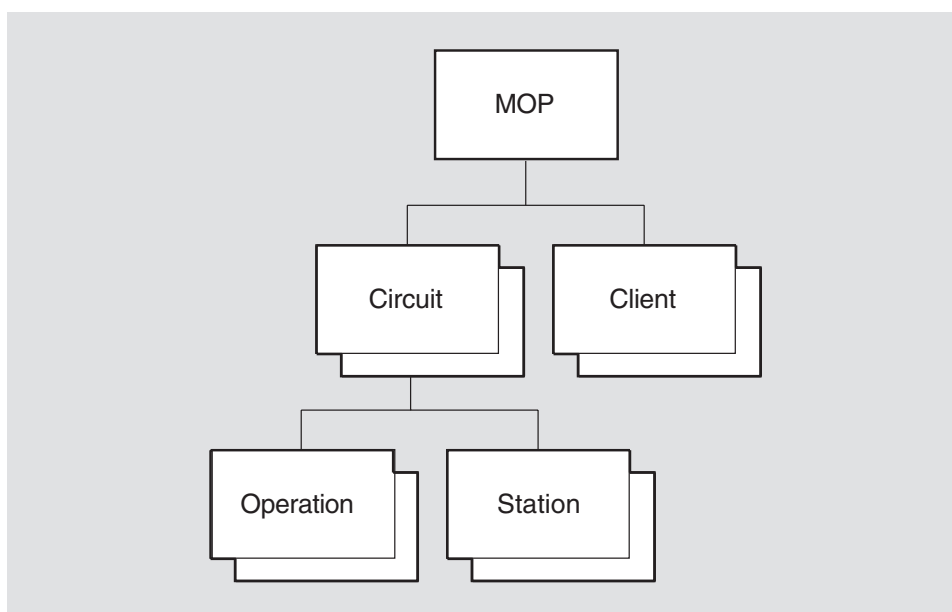
high speed mode selected

The line cannot be used while high-speed mode is selected.

This chapter describes all the commands you can use to manage the entities that constitute the Maintenance Operations Protocol (MOP) module. The MOP module is located in the Application layer described by the DIGITAL Network Architecture (DNA). MOP has a direct connection with the Data Link layer; thus, for certain functions, MOP can bypass the higher layers in the DNA protocol tower. This is useful for nodes that do not (yet) have all the higher layers of DNA protocol towers installed. Functions provided by the MOP module include downline loading, upline dumping, and communications testing.

Figure 17–1 shows the hierarchical relationship of the entities that constitute the MOP module.

Figure 17–1 Hierarchy of MOP Module Entities



LKG-7343-92R

MOP Module

17.1 mop

17.1 mop

The `mop` entity is the top-level entity in the hierarchy of entities belonging to the MOP module.

Syntax

`create` [node *node-id*] mop

`delete` [node *node-id*] mop

`disable` [node *node-id*] mop

`enable` [node *node-id*] mop

`show` [node *node-id*] mop [all [attributes] | all characteristics | all status]

17.1.1 Characteristic Attributes

supported functions

MOP components supported on the system. This is a read-only attribute.

configuration monitor	load server
console requester	loop requester
dump server	query requester
load requester (Tru64 UNIX)	test requester

version

Default: Current version number

Version number of the Maintenance Operations Protocol specification to which the implementation conforms. This is a read-only attribute.

17.1.2 Status Attributes

state

State of the `mop` entity. This is a read-only attribute.

off The `mop` entity is disabled.

on The `mop` entity is enabled.

17.1.3 Exception Messages

For `create`:

already exists

A `mop` module already exists.

For `delete`:

has children

Cannot delete while subentities exist.

17.2 mop circuit

A `mop circuit` entity is a data link circuit on which MOP services are available. The status attribute functions specifies the services enabled on the circuit.

Syntax

```
boot [node node-id] mop circuit circuit-name {address ID802 | client client-name | device latin1string |
script id latin1string | software id latin1string | verification hex-string }

create [node node-id] mop circuit circuit-name type type-1

delete [node node-id] mop circuit circuit-name

disable [node node-id] mop circuit circuit-name functions [func_name1, func_name2...]

enable [node node-id] mop circuit circuit-name functions [func_name1, func_name2...]

load [node node-id] mop circuit circuit-name {address ID802 | client client-name | management image
filespec | script file filespec | secondary loader filespec | system image filespec | tertiary loader
filespec | verification hex-string }

loop [node node-id] mop circuit circuit-name {address ID802 | assistance type help-type | assistant
address ID802 | assistant system client-name | client client-name | count integer | format octet
| length integer }

query [node node-id] mop circuit circuit-name {address ID802 | client client-name | sap octet }

set [node node-id] mop circuit circuit-name {known clients only boolean | link name local-entity-name |
retransmit timer integer }

show [node node-id] mop circuit circuit-name [all [attributes] | all characteristics | all counters | all
identifiers | all status ]

test [node node-id] mop circuit circuit-name {address ID802 | client client-name | count integer |
format octet | length integer | sap octet }
```

17.2.1 Commands

boot

Causes the system specified by *node-id* to send a boot message to an adjacent system.

load

Initiates a downline load from the system specified by *node-id* to a target system specified by the arguments or by a client.

loop

Performs a loop operation with another system.

query

Initiates an XID exchange between the system specified by *node-id* and the system specified by the arguments or a client.

test

Initiates an XID test between the system specified by the arguments or by a client.

MOP Module

17.2 mop circuit

17.2.2 Arguments

For a complete list of arguments, refer to the corresponding command in the mop client description.

functions *func_name1*, *func_name2*...

Which optional MOP functions are currently enabled for this circuit (see the enable command).

configuration monitor	load server
console requester	loop requester
dump server	query requester
load requester (Tru64 UNIX)	test requester

type *type-1*

Circuit type, which is set when the circuit is created (see the create command). You cannot modify this characteristic.

17.2.3 Characteristic Attributes

known clients only

Default: False

Value: True or false

Specifies whether MOP attempts to service load requests from remote systems that do not have a corresponding client entity. Some network servers are designed to request specific software by name, and in such a case there is no need for a client entity to exist. By default, MOP tries to process requests for named software from unknown clients. Set this attribute to true if you wish MOP to ignore such requests.

link name

Default: No name

Value: Data Link entity name

Name of a station entity in the Data Link layer module indicated by the type characteristic. This name is passed to the Data Link layer module when MOP opens a portal for the circuit.

retransmit timer

Default: 4

Value: 1–30

Time, in seconds, to wait for a response before retransmitting a MOP message.

type

Specifies the circuit type. This characteristic is set when the circuit is created (see the create command). The possible types are CSMA-CD, FDDI, HDLC (Tru64 UNIX loop only), DDCMP (OpenVMS only), and LAPB (OpenVMS only). You cannot modify this characteristic.

17.2.4 Counter Attributes

creation time

Time this entity was created.

dump requests completed

Number of dump service requests that completed successfully.

failed dump requests

Number of dump service requests that could not be completed.

failed load requests

Number of load service requests that could not be completed.

load requests completed

Number of load service requests that completed successfully.

unrecognized dump clients

Number of dump service requests that could not be processed because a required client database entry could not be found.

unrecognized load clients

Number of load service requests that could not be processed because a required client database entry could not be found.

17.2.5 Identifier Attributes

name

Simple name assigned to the circuit when it is created.

17.2.6 Status Attributes

functions

Which optional MOP functions are currently enabled for this circuit (see the functions argument).

uid

Entity's unique identifier, which is generated when the entity is created.

17.2.7 Event Messages

dump request completed

Generated each time a remote dump service request completes successfully.

Arguments: See the address, client, and file arguments described under the load request failed event.

dump request failed

Generated each time a remote dump request tries and fails. When a request is never started because of insufficient client information, the unrecognized dump client event is reported.

Arguments: See the address, client, file, and reason arguments described under the load request failed event.

load request completed

Generated each time a remote load service request completes successfully.

Arguments: See the address, client, file, and program type arguments described under the load request failed event.

load request failed

Generated each time a remote load request tries and fails. When a request is never started because of insufficient client information, the unrecognized load client event is reported.

Arguments:

address

Data link address of the remote system. This argument is supplied only for LAN data links.

MOP Module

17.2 mop circuit

client	Name of the client that corresponds to the remote system.
file	Name of the file being dumped or loaded.
program type	Program type requested by the remote system on a load operation.
cmip script	A file containing initialization data encoded as network management directives in CMIP form.
diagnostic	A file containing diagnostic test procedures.
management	A file containing initialization data encoded in a product-specific format.
secondary loader	A secondary file containing software to be downline loaded.
system	The primary file containing the system image to be downline loaded.
tertiary loader	A third file containing software to be downline loaded.
reason	Reason for the failure.
file i/o error	Unable to read load file or write dump file.
file open error	Unable to open load or dump file requested.
no resources	Insufficient network management or system resources.
operation aborted	Unexpected error prevents completion of request.
protocol error	A violation of MOP occurred.
receive error	Error or timeout receiving data from the network.
transmit error	Error reading data to the network.
unknown client	Client requesting load or dump is not found in MOP client database.

unrecognized dump client

Generated each time a remote dump service request was not accepted because a required client database entry could not be found.

Argument: See the address argument described under the load request failed event.

unrecognized load client

Generated each time a remote load service request was not accepted because a required client database entry could not be found.

Arguments: See the address and program type arguments described under the load request failed event.

17.2.8 Exception Messages

For create:

already exists

A mop circuit subentity already exists.

unsupported circuit type

Type of argument value is not supported in this implementation.

For delete:

has children

Cannot delete while subentities exist.

For enable:

non-existent data link

Specified data link entity does not exist.

open port failed

Open port operation failed.

unsupported

Specified function is not supported by this system.

For boot, load, loop, test, and query:

data link error

An error was reported by the Data Link layer on the loop command.

unrecognized circuit

There is no circuit with the specified identification on the loop command.

unrecognized client

There is no client with the specified identification on the loop command.

For loop:

invalid assistant

The assistant address is either a multicast address, or assistant system was specified, and the corresponding client subentity has the default value for its address on the loop command.

unrecognized assistant

There is no assistant with the specified identification on the loop command.

For load, loop, test and query:

data link error

An error was reported by the Data Link layer.

timeout

Operation has timed out on the loop command.

unrecognized client

There is no client with the specified identification.

For load:

protocol error

A protocol error occurred during the load.

MOP Module

17.3 mop circuit operation

17.3 mop circuit operation

The `mop circuit operation` entities are created automatically by MOP for all operations, including those initiated by NCL action directives and those initiated by automatic load and dump service. They are deleted when the corresponding operation is complete.

Syntax

```
show [node node-id] mop circuit circuit-name operation operation-name [all [attributes] | all identifiers | all status ]
```

17.3.1 Identifier Attributes

name

Simple name of the operation entity that is generated automatically by MOP. The simple name is derived from the operation being performed (load or dump) and a numeric suffix added to ensure uniqueness.

17.3.2 Status Attributes

address

For LANs only, specifies the address of the client system.

client

Client name of the client entity associated with the operation, if such an entity exists.

operation

The operation being performed (boot, dump, load, loop, query, or test).

17.4 mop circuit station

The mop circuit station entities are created automatically by the Configuration Monitor. They are deleted when the circuit entity is deleted.

Note

The Configuration Monitor function must be enabled to obtain the status information used by the show mop circuit station command.

Syntax

```
show [node node-id] mop circuit circuit-name station station-name [all [attributes] | all identifiers | all status ]
```

17.4.1 Identifier Attributes

name

Name of the station entity, generated automatically by the Configuration Monitor. The name is identical to the source LAN address for the System ID message.

17.4.2 Status Attributes

command size

Maximum acceptable console command size. A zero value means it is not applicable.

console user

LAN address of the system that currently has the console reserved; all zeroes if the console is not in use.

data link

Data Link protocol used by the remote station.

device

Type of communication device used by the remote station.

dsdu size

Maximum allowed size for a MOP message, not including data link protocol overhead.

functions

The set of functions supported: loop server, dump requester, primary loader, secondary loader, boot, console carrier, and counters.

hardware address

Default data link address for the circuit on which the system ID was transmitted by the remote station.

last report

Time at which the most recent system ID message was received.

mop version

Highest version of the MOP supported by the remote station.

node id

Node ID for the remote station. If not reported, the null ID (00-00-00-00-00-00) is displayed.

MOP Module

17.4 mop circuit station

node name

Node name for the remote station, as a DECdns full name. If not reported by the remote station, the null name is used; this is displayed as "0:."

reservation timer

Console reservation timer, in seconds. A zero values means it is not applicable.

response size

Maximum acceptable console response size. A zero value means it is not applicable.

17.5 mop client

A mop client entity is a set of default characteristics used by several MOP functions: dump/load server, load requester, loop requester, and console requester. When a command or a request for one of these services does not supply all of the required arguments, the values stored by the client are used to perform the operation. The *client-name* refers to the client managed by this command.

Syntax

```
add [node node-id] mop client client-name {addresses {ID802[,ID802...]} | device types {type[,type...]} }
boot [node node-id] mop client client-name {address ID802 | circuit circuit-id | device latin1string |
      script id latin1string | software id latin1string | verification hex-string }
create [node node-id] mop client client-name
delete [node node-id] mop client client-name
load [node node-id] mop client client-name {address ID802 | circuit simple-name | management image
      filespec | script file filespec | secondary loader filespec | system image filespec | tertiary loader
      filespec | verification hex-string }
loop [node node-id] mop client client-name {address ID802 | assistance type help-type | assistant
      address ID802 | assistant system client-name | circuit simple-name | count integer | format
      octet | length integer }
query [node node-id] mop client client-name {address ID802 | circuit simple-name | sap octet }
set [node node-id] mop client client-name {addresses {ID802[,ID802...]} | circuit simple-name | device
      types {type[,type...]} (OpenVMS) | diagnostic image filespec | dump address integer | dump file
      filespec | management image filespec | phase iv client address phase4-address | phase iv client
      name phase4-name | phase iv host address phase4-address | phase iv host name phase4-name
      | script file filespec | secondary loader filespec | system image filespec | tertiary loader filespec |
      verification hex-string }
show [node node-id] mop client client-name [all [attributes] | all characteristics | all identifiers ]
test [node node-id] mop client client-name {address ID802 | circuit simple-name | count integer |
      format octet | length integer | sap octet }
```

17.5.1 Commands

boot

Causes the system specified by *node-id* to send a boot message to an adjacent system.

load

Initiates a downline load from the system specified by *node-id* to a target system specified by the arguments or by a client.

loop

Performs a loop operation with another system.

query

Initiates an XID exchange between the system specified by *node-id* and the system specified by the arguments or a client.

test

Initiates an XID test between the system specified by the arguments or by a client.

MOP Module

17.5 mop client

17.5.2 Arguments

address *ID802*

LAN address of the circuit named in the `circuit` argument. This argument is required for LAN circuits. If you do not supply this information as an argument for this command, you must specify a client set of parameters to provide this data (see the `client` argument).

assistance type *help-type*

Degree of loopback assistance required, for LAN circuits only. Valid values are `none`, `transmit`, `receive`, and `full`.

assistant address *ID802*

LAN address to be used as a loopback assistant. The involvement of the assistant depends on the `assistance type` parameter. For assistance of type `none`, no assistant is needed, and is ignored if specified. For other values, an assistant is required. If not specified, an assistant is located by first sending a request to the loopback assistant multicast address.

assistant system *client-name*

A client entity, from which an assistant address is obtained. Meaningful for LAN circuits only, see `assistant address`.

circuit *circuit-id*

A client entity to be used for this operation. This parameter must be specified, either directly or via the `client` entity. For `boot`, specifies the name of the circuit over which the boot operation is to occur. For `load`, specifies the name of the MOP circuit over which the downline load is to take place. This information is required.

client *client-name*

A client entity to be used for this operation. The client is used to provide defaults for `address`, `circuit`, and `verification` parameters.

count *integer*

Number of messages to be looped. Note, on failure of the loop test, NCL will display the count of messages successfully looped.

device *Latin1String*

Provides some information required by the target system for the boot operation.

device types *type (OpenVMS)*

Specifies one or more device types associated with this client. Use `device type` and omit the address if you want to set up a generic client entity. The entity will be used for any incoming load and dump requests that specify a matching communication device type.

format *octet*

Value of each byte in the test data part of each loop message. The default results in alternating 0 and 1 bits.

length *integer*

Length of the test data part of each loop message. The maximum and minimum permitted values depend on the particular data link in use.

management image *filespec*

A file containing initialization data for the node; data is encoded in a product-specific format. (Also see the script file argument.) This argument may be required by the target system.

sap *octet*

The service access point (on the target system) to which the XID message is to be sent.

script file *filespec*

A file containing initialization data for the node; data is encoded as a sequence of network management commands in CMIP form. (Also see the management image argument.) This argument may be required by the target system.

script id *Latin1String*

Script file required by the target system for boot.

secondary loader *filespec*

The name of a second file containing the software to be downline loaded. This argument may be required by the target system.

software id *Latin1String*

System image required by the target system for boot.

system image *filespec*

The file containing the system image to be downline loaded. This argument is required for LAN circuits. If you do not supply this information as an argument for this command, you must specify a client set of parameters to provide this data. See the client argument.

tertiary loader *filespec*

The name of a third file containing the software to be downline loaded. This argument may be required by the target system.

verification *hex-string*

A string that must match a verification code at the receiving system in order to trigger the bootstrap mechanism so that the downline load can be performed (default: %x00-00-00-00-00-00-00-00). The value must have an even number of hexadecimal digits from 2 to 16.

17.5.3 Characteristic Attributes

addresses

Default: Empty set

Value: Set of LAN addresses

Set of LAN addresses for this client on the circuit specified by the circuit characteristic.

For OpenVMS, Phase IV nodes can use an extended DECnet LAN address in addition to their hardware address, so you must include both of these addresses in the addresses set. To calculate the extended DECnet address, express the Phase IV node address as a four-digit hex integer, then add the prefix AA-00-04-00.

MOP Module

17.5 mop client

For example, if the Phase IV node address is 4.260:

```
    4.260
=>    4 * 1024 + 260
=>    4356 (decimal)
=>    1104 (hex)
=>    AA-00-04-00-04-11
```

circuit

Default: No circuit **Value:** Simple-name

Name of the mop circuit entity that corresponds to the data link circuit that is to be used for communicating with this client.

device types (OpenVMS)

Default: No device types **Value:** Set of device types

Specifies one or more device types associated with this client. Use device types and omit addresses if you want to set up a generic client entity; the entity will be used for any incoming load or dump requests that specify a matching communications device type.

To determine the communications device type for a particular network server, consult the server documentation, or use the Configuration Monitor function of the MOP.

diagnostic image

Default: No file **Value:** Sequence of file specifications

Files to be loaded when the client requests a diagnostic image during a downline load operation. File identifications are interpreted according to the file system of the local system.

dump address

Default: 1 **Value:** 0 to $2^{32} - 1$

Memory address at which to begin an upline dump.

dump file

Default: No file **Value:** Sequence of file specifications

Files to write to when the client is upline dumped. File identifications are interpreted according to the file system of the local system.

management image

Default: No file **Value:** Sequence of file specifications

Files to be loaded when the client requests a management image during a downline load operation. File identifications are interpreted according to the file system of the local system.

phase iv client address

Default: 0.0 **Value:** Phase IV address

Phase IV node address given to the client system when it is downline loaded. This address is passed in a load parameters message; whether it is needed depends on the software being loaded.

phase iv client name

Default: No name

Value: Phase IV name

Phase IV node name given to the client system when it is downline loaded. This name is passed in a load parameters message; whether it is needed depends on the software being loaded.

phase iv host address

Default: 0.0

Value: Phase IV address

Phase IV node address to be passed as the host node address when a client is downline loaded. This address is passed in a load parameters message; whether it is needed depends on the software being loaded.

phase iv host name

Default: No name

Value: Phase IV name

Phase IV node name that is passed as the host name when the client is downline loaded. This name is passed in a load parameters message; whether it is needed depends on the software being loaded.

script file

Default: No file

Value: Sequence of file specifications

Files to be loaded when the client requests a CMIP initialization script during a downline load operation. File identifications are interpreted according to the file system of the local system.

secondary loader

Default: No file

Value: Sequence of file specifications

Files to be loaded when the client requests a secondary loader during a downline load operation. File identifications are interpreted according to the file system of the local system.

system image

Default: No file

Value: Sequence of file specifications

Files to be loaded when the client requests an operating system image during a downline load operation. File identifications are interpreted according to the file system of the local system.

tertiary loader

Default: No file

Value: Sequence of file specifications

Files to be loaded when the client requests a tertiary loader during a downline load operation. File identifications are interpreted according to the file system of the local system.

verification

Default: %x00-00-00-00-00-00-00-00

Value: Hex-string

Verification string to be sent in a boot message to this client. The value must have an even number of hexadecimal digits from 2 to 16.

MOP Module

17.5 mop client

17.5.4 Identifier Attributes

name

Simple name assigned to the client when it is created.

17.5.5 Exception Messages

For create:

already exists

The mop client subentity already exists.

For boot, load, loop, query and test:

data link error

An error was reported by the Data Link layer.

unrecognized circuit

There is no circuit with the specified identification.

For load, loop, query and test:

timeout

The operation has timed out.

For load:

protocol error

A protocol error occurred during the load operation.

For loop:

invalid assistant

The assistant address is either a multicast address, or the assistant system was specified, and the corresponding client subentity has the default value for its address on the loop command.

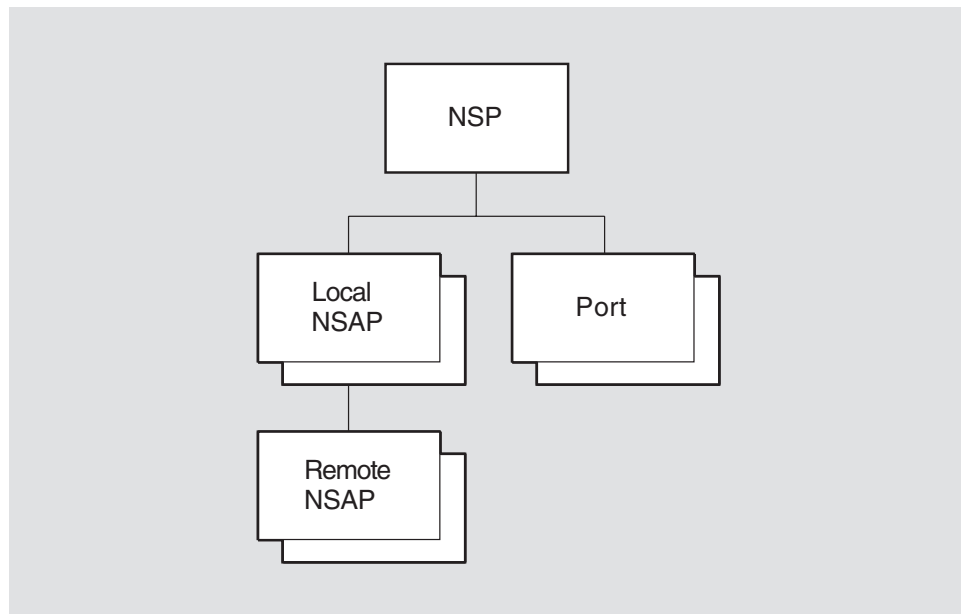
unrecognized assistant

There is no assistant with the specified identification on the loop command.

This chapter describes all the commands you can use to manage the entities that constitute the NSP module. The NSP module implements one of the protocols in the DNA Transport layer.

Figure 18–1 shows the hierarchical relationship of the entities that constitute the NSP module.

Figure 18–1 Hierarchy of NSP Module Entities



LKG-4554-92R

NSP performs the following functions:

- Enables the creation and destruction of transport connections used for sending messages within a network node and between network nodes.
- Manages the movement of expedited and normal data from transmit buffers to receive buffers, using flow control mechanisms.
- Breaks up normal data messages into segments that can be transmitted individually, and reassembles these segments into correct order after they have been received.
- Guarantees the delivery of data and control messages to a specified destination using an error correction mechanism.

NSP Module

18.1 nsp

18.1 nsp

The nsp entity is the top-level entity in the hierarchy of entities belonging to the NSP module.

Syntax

create [node *node-id*] nsp

delete [node *node-id*] nsp

disable [node *node-id*] nsp

enable [node *node-id*] nsp

set [node *node-id*] nsp {congestion avoidance *boolean* | delay factor *integer* | delay weight *integer* | flow control policy | keepalive time *integer* | maximum receive buffers *integer* (OpenVMS) | maximum remote nsaps *integer* | maximum transport connections *integer* | retransmit threshold *integer* }

show [node *node-id*] nsp [all [attributes] | all characteristics | all status]

18.1.1 Characteristic Attributes

acknowledgment delay time

Default: 3

Value for Tru64 UNIX: 3

Default: 3

Value for OpenVMS: 0–65

Maximum amount of time (in seconds) that an acknowledgment is to be withheld. You cannot modify this characteristic.

congestion avoidance

Default: True

Value: True or false

Enables the use of the automatic congestion avoidance mechanism. This mechanism reduces the transport window size in response to an indication from the Network layer.

delay factor

Default: 2

Value: 2–15

Factor by which to multiply the current value of the roundtrip delay estimate status attribute in order to set a value for the retransmission timer.

Note, the roundtrip delay estimate is an attribute of the nsp port entity.

delay weight

Default: 3

Value: 0–255

Relative weighting to apply to the current estimate and to a new sample when estimating round-trip delay.

dna version

Default: current version number

Version number of the DNA NSP architecture specification to which the implementation conforms. You cannot modify this characteristic.

flow control policy

Default: Segment flow control **Value:** Segment flow control, no flow control

Determines NSP flow control policy used. This attribute may not be changed when NSP state is on.

Flow control is the mechanism that determines when to send a data or expedited messages. Flow control is performed separately for normal and expedited data. During transport connection formation, each end of the connection determines the kind of flow control policy it expects when acting as a data receiver. It is not required that both ends operate with the same flow control policy.

keepalive time

Default for Tru64 UNIX: 30 **Value:** 1–65535

Default for OpenVMS: 60 **Value:** 1–65535

Time (in seconds) that NSP waits for data to be transmitted or received before testing a transport connection. When this timer expires, NSP sends a data request PDU to the remote NSP. This PDU does not change the flow control parameters, but does require acknowledgment. For Tru64 UNIX, you can modify this characteristic to a lower value only when the entity is disabled.

maximum receive buffers (OpenVMS)

Default: 2000 **Value:** 1–65535

Maximum number of receive buffers that can store received transport PDUs. You may not decrease the value while NSP is enabled.

maximum remote nsaps

Default for Tru64 UNIX: 160 **Value:** 1–65535

Default for OpenVMS: 201 **Value:** 1–65535

Maximum number of remote Network Services Access Points (NSAPs) that can exist concurrently. Must be greater than the current value of maximum transport connections. You can modify this characteristic to a lower value only when the entity is disabled. For Tru64 UNIX, this characteristic can be increased when enabled.

maximum transport connections

Default for Tru64 UNIX: 128 **Value:** 0–1023

Default for OpenVMS: 200 **Value:** 0–65535

Maximum number of active transport connections allowed at one time. Must not be less than the current value of maximum remote NSAPs. You may not decrease the value while NSP is enabled.

NSP Module

18.1 nsp

maximum window

Default for Tru64 UNIX: 32 **Value:** 1–65535

Default for OpenVMS: 8 **Value:** 1–2047

Maximum credit window that can be granted on a transport connection. This is used for control of the number of data segments (PDUs) allowed to be transmitted over a particular transport connection before at least one acknowledgment must be returned from the destination system. If the number of PDUs already transmitted equals the `maximum window` and no corresponding acknowledgments have been received, transport stops sending PDUs over the transport connection and waits for an acknowledgment message. You cannot modify this characteristic.

nsap selector

Default: 32 **Value:** 0–255

NSAP selector used by the `nsp` entity when opening a port to a network service. You cannot modify this characteristic.

retransmit threshold

Default: 12 **Value:** 1–65535

Maximum number of times a source `nsp` entity is to restart an expired retransmission timer before the remote node is to be considered unreachable. When the threshold is reached, NSP sets the confidence variable to `false`.

18.1.2 Status Attributes

currently active connections

Number of active transport connections.

state

Status of the `nsp` entity.

off The `nsp` entity is disabled.

on The `nsp` entity is enabled.

uid

Entity's unique identifier, which is generated when the entity is created.

18.1.3 Exception Messages

For `create`:

already exists

An `nsp` module already exists.

For `delete`:

wrong state

You cannot delete the entity while it is enabled.

For `enable`:

routing unavailable

You cannot enable the entity until routing has been created.

18.2 nsp local nsap

An `nsp local nsap` entity is created automatically for each NSAP address used by the `nsp` entity. Local NSAPs are used primarily to group together remote NSAPs (see the `nsp local nsap remote nsap` entity). The *nsap-address* refers to the local NSAP managed by this command.

Syntax

```
show [node node-id] nsp local nsap nsap-address [all [attributes] | all counters | all identifiers | all status ]
```

18.2.1 Counter Attributes

creation time

Time this entity was created.

deleted remote nsaps

Number of times a remote NSAP has been deleted in order to reclaim resources.

18.2.2 Identifier Attributes

name

Simple name assigned to the local NSAP when it is created.

nsap address

Address assigned to the local NSAP when it was created.

18.2.3 Status Attributes

uid

Entity's unique identifier, which is generated when the entity is created.

18.2.4 Event Messages

deleted remote nsap

Generated each time a remote NSAP is deleted.

Arguments:

The event message lists all attributes for the deleted entity.

NSP Module

18.3 nsp local nsap remote nsap

18.3 nsp local nsap remote nsap

An `nsp local nsap remote nsap` entity maintains the transport counters and generates events resulting from interactions between its superior local NSAP and a remote transport service. The *local nsap nsap-address* refers to the local NSAP associated with the specified remote NSAP. The *remote nsap nsap-address* refers to the remote NSAP managed by this command.

Syntax

```
show [node node-id] nsp local nsap nsap-address remote nsap nsap-address [all [attributes] | all  
counters | all identifiers | all status ]
```

18.3.1 Counter Attributes

connects received

Total number of connect initiated (CI) messages, regardless of their disposition, that the local service provider has received from the remote service provider.

connects sent

Total number of connect initiated (CI) messages sent by the local service provider to the remote service provider, including retransmissions.

creation time

Time this entity was created.

duplicate pdus received

Total number of all types of detected duplicate transport PDUs received from the remote service provider.

pdus received

Total number of all types of transport PDUs received from the remote service provider (excluding detected duplicates).

pdus sent

Total number of all types of transport PDUs sent to the remote service provider (excluding retransmissions).

rejects received

Number of detected reject received events.

rejects sent

Number of detected reject sent events.

remote protocol errors

Number of detected remote protocol error events.

retransmitted pdus

Total number of all types of retransmitted transport PDUs sent to the remote service provider.

total octets received

Total number of octets of all types of transport PDUs received from the remote service provider, regardless of their disposition. This count includes detected duplicates.

total octets sent

Total number of octets of all types of transport PDUs sent to the remote service provider, including retransmissions.

user octets received

Total number of user data octets received from the remote service provider, including normal, expedited, connect, accept, and disconnect data. This count does not include duplicates such as data retransmitted by the remote service provider.

user octets sent

Total number of user data octets sent to the remote service provider, including normal, expedited, connect, accept, and disconnect data. This count does not include data retransmitted by the local service provider.

user pdus discarded

Number of PDUs received from the remote service provider that were discarded because of insufficient buffer space.

user pdus received

Total number of transport PDUs containing user data received from the remote service provider, including normal, expedited, connect, accept, and disconnect data. This count does not include duplicates such as transport PDUs retransmitted by the remote service provider.

user pdus sent

Total number of transport PDUs containing user data sent to the remote service provider, including normal, expedited, connect, accept, and disconnect data. This count does not include retransmitted transport PDUs.

18.3.2 Identifier Attributes

name

Simple name assigned to the remote NSAP when it is created.

nsap address

Address assigned to the remote NSAP when it was created.

18.3.3 Status Attributes

uid

Entity's unique identifier, which is generated when the entity is created.

18.3.4 Event Messages

reject received

Generated when a connection attempt initiated by the local service provider is rejected by the remote service provider. This does not include rejects initiated by the remote user of the transport service. The `rejects received` counter is incremented.

NSP Module

18.3 nsp local nsap remote nsap

Arguments:

additional information If applicable, contains additional information from the variable part of the PDU.

reason Reason why the event was generated.

no resources Transport rejected the connection attempt because of insufficient resources.

reject sent

Generated when a connection attempt initiated by the remote service provider is rejected by the local service provider. This does not include rejects requested by the local user of the transport service. The rejects sent counter is incremented.

Arguments:

additional information If applicable, contains additional information from the variable part of the PDU.

reason Reason why the event was generated.

no resources Transport rejected the connection attempt because of insufficient resources.

remote protocol error

Generated when a transport PDU received from the remote service provider violates the NSP protocol. The remote protocol errors counter is incremented.

Arguments:

erroneous transport data unit Includes some, none, or all of the PDUs causing the event.

reason Reason why the event was generated.

invalid flow control A PDU was discarded because it contained flow control information that, when used to compute the request count, would produce a result that exceeds the limits. The entire PDU is provided in the erroneous transport data unit argument.

invalid message format A PDU was discarded because reserved bits or values were used in the PDU. The beginning of the PDU is provided in the erroneous transport data unit argument.

18.4 nsp port

An `nsp port` entity represents one end of a transport connection and maintains status information about that connection. A port is visible to the network only when it is assigned to a transport connection. The *port-name* refers to the port managed by this command.

Syntax

```
show [node node-id] nsp port port-name [all [attributes] | all counters | all identifiers | all status ]
```

18.4.1 Counter Attributes

creation time

Time the port was assigned.

duplicate pdus received

Number of all types of detected duplicate transport PDUs received from the remote service provider.

pdus received

Number of all types of transport PDUs received from the remote service provider (excluding detected duplicates).

pdus sent

Number of all types of transport PDUs sent to the remote service provider (excluding retransmissions).

retransmitted pdus

Number of all types of retransmitted transport PDUs sent to the remote service provider.

total octets received

Number of octets of all types of transport PDUs received from the remote service provider, regardless of their disposition. This count includes detected duplicates.

total octets sent

Number of octets of all types of transport PDUs sent to the remote service provider, including retransmissions.

user octets received

Number of user data octets received from the remote service provider, including normal, expedited, connect, accept, and disconnect data. This count does not include duplicates such as data retransmitted by the remote service provider.

user octets sent

Number of user data octets sent to the remote service provider, including normal, expedited, connect, accept, and disconnect data. This count does not include data retransmitted by the local service provider.

user pdus received

Number of transport PDUs containing user data received from the remote service provider, including normal, expedited, connect, accept, and disconnect data. This count does not include duplicates such as transport PDUs retransmitted by the remote service provider.

NSP Module

18.4 nsp port

user pdus sent

Number of transport PDUs containing user data sent to the remote service provider, including normal, expedited, connect, accept, and disconnect data. This count does not include retransmitted transport PDUs.

18.4.2 Identifier Attributes

name

Simple name assigned to the port when it is created.

18.4.3 Status Attributes

client name

Default: None

Value: Local-entity-name

Name designated by the port user when the port was opened.

incoming network priority (OpenVMS)

Default: None

Value: 0–255

Network priority encoded in NPDU header for all received packets.

local flow control policy

Default: None

Value: Segment flow control, no flow control

Local flow control policy selected when acting as a data receiver.

local nsap

Default: None

Value: NSAP address

Local NSAP address being used for the transport connection.

local reference

Default: None

Value: 0–65535

Unique reference number assigned to the transport connection by the local transport service provider.

network port

Default: None

Value: Local-entity-name

Name of the port being used.

outgoing network priority (OpenVMS)

Default: None

Value: 0–255

Remote priority encoded in NPDU header for all transmitted packets.

remote flow control policy

Default: None

Value: Segment flow control, no flow control

Remote flow control policy selected when remote end is acting as a data receiver.

remote nsap

Default: None

Value: NSAP address

Remote NSAP address being used for the transport connection.

remote reference

Default: None

Value: 0–65535

Reference number assigned to the transport connection by the remote transport service provider.

roundtrip delay estimate

Default: None

Value: 0–65535

Amount of time, in milliseconds, of the round-trip delay on the transport connection.

uid

Default: None

Value: uid

Entity's unique identifier, which is generated when the entity is created.

OSAK Module

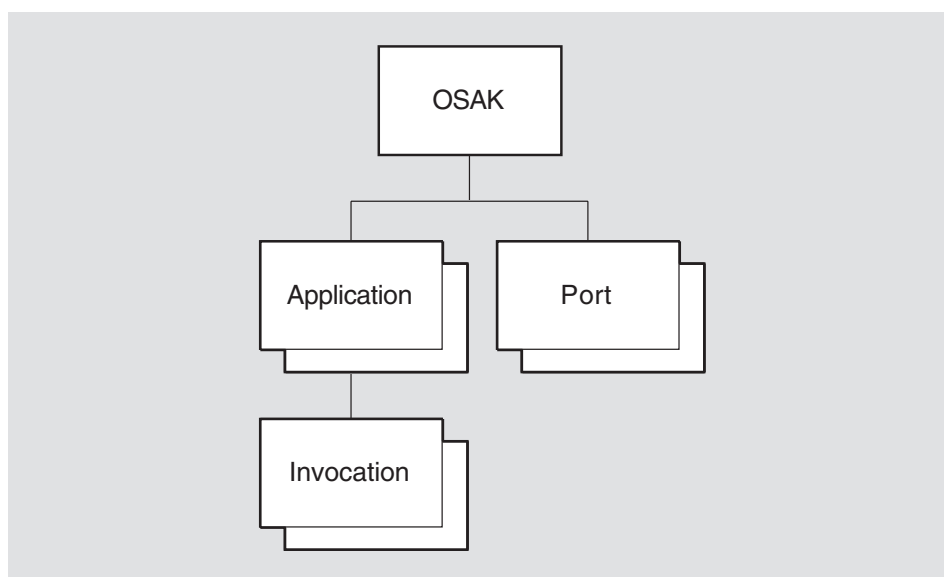
This chapter describes the commands you can use to manage the entities that make up the OSAK (OSI Applications Kernel) module. The OSAK module provides network control and management facilities for the OSAK software. The OSAK software implements the ACSE (Association Control Service Element) protocol of the Application layer, the Presentation layer, and the Session layer of the OSI Reference Model.

Note

For Tru64 UNIX, you cannot modify any counter, identifier, or status attributes within the OSAK module.

Figure 19–1 shows the hierarchical relationship of the entities that make up the OSAK module.

Figure 19–1 Hierarchy of OSAK Module Entities



LKG-6628-92R

OSAK Module

19.1 osak

19.1 osak

The `osak` entity is the top-level entity in the OSAK module hierarchy of entities. The `osak` entity is concerned with address management for applications that use the OSAK software for their communications requirements.

Syntax

```
create [node node-id] osak
disable [node node-id] osak
delete [node node-id] osak
enable [node node-id] osak
set [node node-id] osak disconnect timer integer (OpenVMS)
show [node node-id] osak [all [attributes] | all characteristics | all counters | all status ]
```

19.1.1 Commands

delete

Deletes an `osak` entity and reclaims the resources associated with it. The entity must be in the `NotAvailable` state before it can be deleted.

disable

Puts the `osak` entity in the `NotAvailable` state in which it does not accept any more inbound or outbound association requests, and existing associations are aborted. If the `osak` entity is already in the `NotAvailable` state, the command has no effect.

enable

Starts operation of the services provided by the `osak` entity. If the `osak` entity is already operational, the command has no effect. On completion of the command, the state of the entity is operational. You should not issue this command when the `osak` entity is in the shutting state.

19.1.2 Characteristic Attributes

disconnect timer (OpenVMS)

Default: 30 seconds

Value: Time in seconds

Length of time that the OSAK software waits when it expects the remote peer to disconnect a transport connection. If the timer expires and the remote peer has not disconnected the connection, the OSAK software disconnects the connection. You can modify this attribute using the `set` command.

protocol versions

Default: {ACSE = {1}, presentation = {1}, session = {1,2} } **Value:** Set of protocol versions

Specifies the ACSE, presentation and session protocol versions being used by the `osak` entity.

The full range of possible sets of values is:

{ACSE = {1}, presentation = {1}, session = {1,2} }

{ACSE = {1}, presentation = {1}, session = {1} }

{ACSE = {1}, presentation = {1}, session = {2} }

You cannot modify this attribute.

19.1.3 Counter Attributes

aborts received

Number of aborts received by this osak entity since its creation.

aborts sent

Number of aborts sent by this osak entity since its creation.

connects accepted

Number of connection requests accepted by this osak entity since its creation.

connects initiated

Number of connection requests initiated by this osak entity since its creation.

connects rejected

Number of connection requests rejected by this osak entity since its creation.

creation time

Time at which the osak entity was created, in binary absolute time format.

releases received

Number of release requests received by this osak entity since its creation.

releases sent

Number of release requests sent by this osak entity since its creation.

unknown ae-titles

Number of connection requests received that contain an unknown application-entity title. This counter is incremented each time an unknown ae-title event occurs.

unknown invocations

Number of connection requests received that contain an unknown invocation identifier. This counter is incremented each time an unknown invocations event occurs.

unknown paddresses

Number of connection requests received that contain an unknown presentation address. This counter is incremented each time an unknown paddress event occurs.

OSAK Module

19.1 osak

19.1.4 Status Attributes

state

State of the osak entity. The value is one of the following:

noinbound	osak entity cannot receive inbound association requests
notavailable	osak entity is not available
operational	osak entity is enabled and operational
shutting	osak entity is shutting down

uid

Entity's unique identifier, which is generated when the entity is created.

19.1.5 Event Messages

unknown ae title

Generated when an inbound association request specifies an unknown application-entity title. Increments the unknown ae-titles counter.

Arguments:

ae title The unknown application entity title.

unknown invocation

Generated when an inbound association request specifies an unknown application-process invocation identifier or an unknown application-entity invocation identifier. Increments the unknown invocations counter.

Arguments:

invocation The unknown application-process or application-entity invocation identifier.

unknown address

Generated when an inbound association request specifies an unknown presentation address. Increments the unknown addresses counter.

Arguments:

address The unknown presentation address.

19.1.6 Exception Messages

For create:

entity exists

An osak entity already exists.

For delete and enable:

sub entity exists

Cannot delete while subtentities exist.

wrong state

The osak entity is in the wrong state for the command you have tried to use on it. The text accompanying the exception message specifies which command has failed. For Tru64 UNIX, the only possible wrong state is NotAvailable.

19.2 osak application

An osak application entity represents an OSI application and is created each time an OSI application that is running over the OSAK software opens an initiator or a responder. The entity also records information about the name and address of an application.

For OpenVMS, an osak application entity has zero or more application-entity invocations, each represented by an osak application invocation entity (see Section 19.3). In addition to recording information about the name and address of an application, it also records information that controls the way in which inbound association requests for that application are handled by the OSAK software.

For OpenVMS, you should create an osak application and an osak application invocation for each passive application that you want to run, identifying the application by its presentation address. Also, an osak application entity is created automatically for an active application and deleted at the end of the connection.

Syntax

```
create [node node-id] osak application "presentation address" (OpenVMS)
```

```
delete [node node-id] osak application "presentation address" (OpenVMS)
```

```
set [node node-id] osak application "presentation address" (OpenVMS) { ae titles set of record |  
startup policy policy | template simple-name }
```

```
show [node node-id] osak application "presentation address" [all [attributes] | all characteristics | all  
counters | all identifiers | all status ]
```

19.2.1 Characteristic Attributes

ae titles

Default: None

Value: See description

The application-entity titles that map to this application's presentation address in Form 2 (object identifier) format. If the application entity titles are in Form 1 (directory name) format, they are not displayed. A null object identifier is displayed instead (ObjectIdentifier = "").

startup policy

Default: Existing

Value: New or existing

Defines the startup policy for invocations of this application. For Tru64 UNIX, the value is always *existing*. This indicates that a listener process must exist for an inbound connection to be processed. No new process is started up when an inbound connection arrives.

For OpenVMS, the value is one of the following:

- | | |
|-----------------|--|
| new | Indicates that, when no process is available to handle an inbound connection, a new process is started up. |
| existing | Indicates that one process handles all inbound connections. No new process is started up if the existing process is busy when an inbound connection arrives. |

For OpenVMS, you can modify this attribute using the set command.

OSAK Module

19.2 osak application

template

Default: Default OSI transport template **Value:** See description

The transport template used for inbound association requests. For OpenVMS, you can modify this attribute using the set command.

19.2.2 Counter Attributes

creation time

The time at which the application is created.

invalid mode failures

The number of times an inbound connection request is rejected because of a mismatch of modes. This counter is incremented each time an invalid mode event occurs.

The possible modes are normal and X.410-1984. An application is running in normal mode if it uses the upper layers of the OSI stack. An application is running in X.410-1984 mode if it does not use the upper layers of the OSI stack.

resource failures

The number of times an inbound connection request was rejected due to insufficient system resources.

total invocations

The number of times this application has been invoked.

19.2.3 Identifier Attributes

paddress

The presentation address of this OSAK application.

19.2.4 Status Attributes

active invocations

The number of existing invocations of this application.

uid

Entity's unique identifier, which is generated when the entity is created.

19.2.5 Event Messages

invalid mode

Generated when an inbound connection request is rejected due to a mismatch of modes. Increments the invalid mode failures counter.

19.2.6 Exception Messages

For delete:

wrong state

Disable the osak application before trying to delete it.

19.3 osak application invocation

An osak application invocation entity represents one invocation of an application.

For Tru64 UNIX, an osak application invocation entity is created each time an OSI application that is running over the OSAK software opens an initiator or a responder. You can use only the show command with the osak application invocation entity on Tru64 UNIX systems, and you cannot modify any of the attributes.

For OpenVMS, an osak application invocation entity can be created in two ways:

- Automatically, each time an OSI application that is running over the OSAK software opens an initiator or a responder (as for Tru64 UNIX).
- Manually, when you use the create command.

The create command creates a *passive application*, which becomes active only when your OpenVMS system receives an OSI call for that particular application invocation.

Syntax

```
create [node node-id] osak application "presentation address" invocation "invocation identifier"  
(OpenVMS)  
  
delete [node node-id] osak application "presentation address" invocation "invocation identifier"  
(OpenVMS)  
  
set [node node-id] osak application "presentation address" invocation "invocation identifier" (OpenVMS)  
startup information latin1string )  
  
show [node node-id] osak application "presentation address" invocation "invocation identifier" [all  
[attributes] | all characteristics (OpenVMS) | all counters | all identifiers | all status ]
```

19.3.1 Characteristic Attributes (OpenVMS)

startup information

Invocation startup information that is system-specific. This information is needed only for passive applications.

You can modify the startup information attribute using the set command. You can specify the items in any order. Note that when you modify this attribute, any item for which you do not specify a value is set to its default, not to its previous value. For example, you could set up non-default values for all four items in this attribute using the following NCL command:

```
set [node "node-id"] osak application "presentation address"  
invocation "invocation identifier"  
startup information "password=password, username=username,  
file=file name, sversion=sversion"
```

If you then decide to change the value of the password, but to keep the non-default values of the other items, you should use the following command:

```
set [node "node-id"] osak application "presentation address"  
invocation "invocation identifier"  
startup information "password=new password, username=username  
file=file name, sversion=sversion"
```

OSAK Module

19.3 osak application invocation

Refer to the following table for specific startup information:

Item	Value	Description
Mandatory		
user	name	The user name of the process that will respond to connect requests received by this application.
file	pathname	The name of the file to run to start up the named application. The file is a command file or an executable image that is run each time a passive process starts. HP recommends that you use a command file for this purpose.
Optional		
account	name	The account that is to start the process.
max resp	integer	The highest permissible number of responders, for an application with the new setting for startup policy
password	password	The user's password.
sversion	{1}, {2}, or {1,2}	The session version.

19.3.2 Counter Attributes

creation time

Time at which this invocation was registered with OSAK.

total associations

Number of associations set up to this invocation.

19.3.3 Identifier Attributes

ids

The identifier of the invocation. For OpenVMS, you cannot modify this attribute.

19.3.4 Status Attributes

port list

A list of the OSAK ports referenced by this application invocation entity.

state

The state of the application invocation entity. For Tru64 UNIX, the value is always *active*.

For OpenVMS, the value is one of the following:

active

An active application invocation is using an active process.

passive

A passive application invocation is waiting for inbound connection requests on its presentation address.

uid

Entity's unique identifier, which is generated when the entity is created.

19.3.5 Exception Messages

For delete:

wrong state

You cannot delete an osak application invocation entity when it still has open ports.

OSAK Module

19.4 osak port

19.4 osak port

Each `osak port` entity describes one association opened in an OSI application. A port is opened each time an application opens an initiator or a responder.

You can use only the `show` command with the `osak port` entity. You cannot modify any of the attributes.

Syntax

```
show [node node-id] osak port "port_identifier" [all [attributes] | all characteristics | all counters | all identifiers | all status ]
```

19.4.1 Characteristic Attributes

template

Default: Default OSI transport template **Value:** See description

The name of the transport template used when establishing an association.

19.4.2 Counter Attributes

creation time

Time at which the association was set up, in binary absolute time format.

19.4.3 Identifier Attributes

name

Simple name assigned to the port when it is created.

19.4.4 Status Attributes

application context

Name of the application context for this association.

connection state

Specifies the state of an association. This status attribute can have one of the following values:

awaiting_associate_confirm	A <code>port</code> entity is in this state when waiting for confirmation of an association from a remote peer entity.
awaiting_associate_response	A <code>port</code> entity is in this state when waiting for a response from the user application to an association request.
awaiting_inbound_connection	A <code>port</code> entity is in this state when waiting for an association indication from a remote peer entity.
awaiting_redirection	A <code>port</code> entity is in this state when an application has opened a new port to which the association is to be redirected.
connected	A <code>port</code> entity is in this state when an association is set up and data exchange is taking place.
not_connected	A <code>port</code> entity is in this state either after the port is opened but before an association request is received from a remote peer entity, or after an association is closed down but before the port is closed.

disconnected

A `port` entity is in this state when the local application has sent a request to release the association, but the remote peer entity has not sent a response.

redirected

A `port` entity is in this state after an association has been redirected to another process.

direction

Specifies whether an association is inbound (the port was opened by a responder) or outbound (the port was opened by an initiator).

invocation

UID of the invocation that opened this port.

local ae title

Local application-entity title in Form 2 (object identifier) format. If the local ae title is in Form 1 (directory name) format, it is not displayed. A null object identifier is displayed instead (`ObjectIdentifier = ""`).

local ae invocation id

Local application-entity invocation identifier.

local ap invocation id

Local application-process invocation identifier.

local paddress

Local presentation address.

owner id

Process id of the OSAK application.

remote ae title

Remote application-entity title in Form 2 (object identifier) format. If the remote ae title is in Form 1 (directory name) format, it is not displayed. A null object identifier is displayed instead (`ObjectIdentifier = ""`).

remote ae invocation id

Remote application-entity invocation identifier.

remote ap invocation id

Remote application-process invocation identifier.

remote paddress

Remote presentation address.

uid

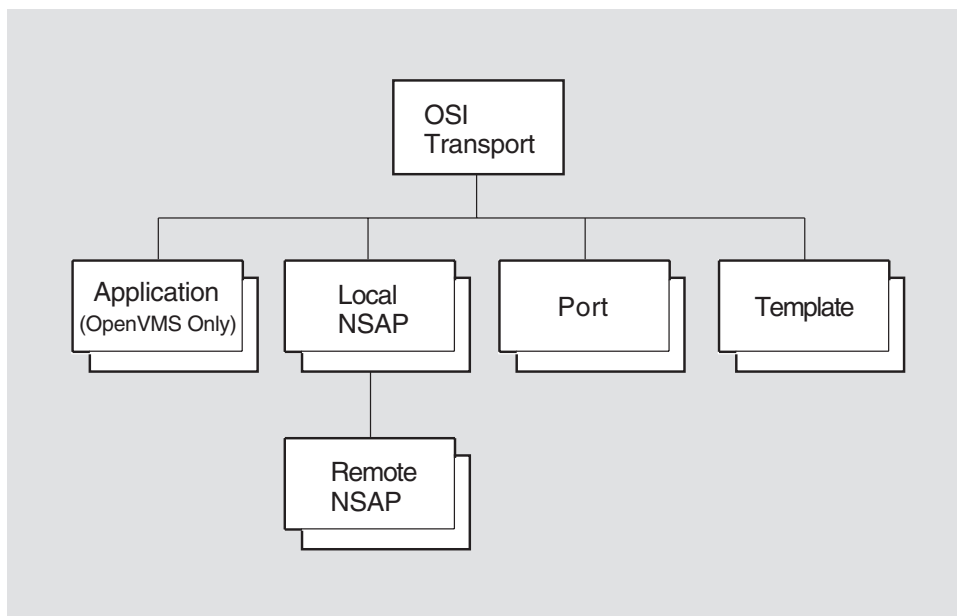
Entity's unique identifier, which is generated when the entity is created.

OSI Transport Module

This chapter describes all of the commands you can use to manage the entities that constitute the OSI transport module. This module implements the OSI Connection-Oriented Transport Protocol specification (International Standard ISO 8073); and for Tru64 UNIX, the Connectionless-Mode Transport Service Protocol (International Standard ISO 8602). These protocols implement the OSI Reference Model Transport layer 4. For OpenVMS, this module also implements RFC 1006 and RFC 1859. These protocols, as well as the NSP protocol, implement the transport protocols in the DIGITAL Network Architecture (DNA).

Figure 20–1 shows the hierarchical relationship of the entities that constitute the OSI transport module.

Figure 20–1 Hierarchy of OSI Transport Module Entities



LKG-5747-92R

The following sections further describe the OSI transport protocol and OSI transport service. For more information, refer to the *DECnet-Plus for OpenVMS Introduction and User's Guide*.

The OSI transport protocol permits communication between DECnet-Plus systems and other vendors' systems that also implement the OSI transport protocol.

OSI Transport Module

The OSI transport protocol conforms to the ISO 8072 Service Definition and the ISO 8073 Protocol Standard. They define OSI transport protocol classes 0, 2 and 4 (TP 0, TP 2, and TP 4).

This protocol can use two types of ISO Network service:

- Connection-Oriented Network Service (CONS)
- Connectionless-Mode Network Service (CLNS)

The OSI transport conforms to the RFC 1006 Standard and to the RFC 1859. They define how to implement ISO 8073 Transport Class 0 on top of TCP (RFC 1006) and how to implement ISO 8073 Transport Class 2 Non-Use of Explicit Flow Control on top of TCP (RFC 1859). RFC 1006 and RFC 1859 use a CONS connection over TCP to provide network service.

Table 20–1 describes these classes, their functions, and which network service can be used.

Table 20–1 Functions of the OSI Transport Protocol Classes

Protocol Class	Functions	Network Service
TP 0	Provides a basic transport service.	CONS and RFC 1006
TP 2	Provides all functions of TP 0. Provides multiplexing of more than one transport connection over a network connection or TCP connection. Provides flow control over CONS.	CONS and RFC 1859
TP 4	Provides all functions of TP 2. Provides error detection and recovery.	CONS and CLNS

Some other differences are that:

- TP 0 relies on the upper layers to do its error correction. This class is disconnected if the underlying Network layer is disconnected.
- TP 2 and 4 use disconnect requests.
- TP 4 reassigns the OSI transport connection to another Network layer connection if the existing one fails.

When a transport user sets up a transport connection, a preferred protocol class for the connection is specified in the connection request. The responding transport user must either agree to this protocol class, or suggest an alternative protocol class that is acceptable to the initiating user. If no such agreement is possible, the transport connection cannot be set up.

An OSI transport connection is an end-to-end connection. It is a reliable two-way, data-transfer path between two OSI transport users. An OSI transport connection has three phases:

- Setting up the connection — an OSI transport user (the initiating user) on one end system (the initiating host) sends a connection request TPDU to another OSI transport user (the responding user) on a second end system (the responding host). When a successful connection is made, data transfer can take place in either direction.

- Using the connection to transfer data — OSI transport connections support two kinds of data transfer:
 - Normal data transfer — for usual message exchange
 - Expedited data transfer — bypasses any blockage due to the flow control applied to normal data; only for sending small amounts of data; has its own type of TPDU and transmission rules.
- Releasing the connection — either transport user can release the OSI transport connection by sending a disconnect TPDU.

You can set up OSI transport connections:

- Between two systems on the same ISO 8802-3 LAN.
- Between two systems that are connected, either directly or via an X.25 connection.
- Between two systems that are connected directly by an X.25 point-to-point link.
- Between two systems on different subnetworks, where the linking subnetworks might mix technologies.
- Between two systems that are connected via TCP/IP.

The Routing module provides a Connectionless-mode Network Service (CLNS); for more information, refer to the Routing chapter.

The X.25 Access module, if configured into the system, provides a reliable Connection-Oriented Network Service (CONS); for more information, refer to the X.25 Access chapter.

For RFC 1006 and RFC 1859 on OpenVMS, this feature requires an installed TCP/IP product that supports the PATHWORKS Internet Protocol (PWIP) interface.

For Tru64 UNIX, any attributes that are specific to CONS will only be accessible if X.25/CONS has been installed and configured into the system. See Section 20.1.4 for more information. The Connectionless Transport Service, known as CLTS or CLTP, allows for the transfer of data between correspondent transport service users on a connectionless basis. The service provides for single-access data transfer for corresponding transport service users, without the overhead of establishing a connection. This protocol benefits those applications that require a one-time, one-way transfer of data toward one transport service user. CLTS runs over CLNS.

Table 20–2 shows the relationship between the transport protocols and the network services.

OSI Transport Module

Table 20–2 Transport Protocols and Network Services

Port Attributes	Class 4 (COTS) over CLNS	Class 4 (COTS) over CONS	Class 2 (COTS) over CONS	Class 0 (COTS) over CONS	CLTS over CLNS ¹	RFC 1006 ²	RFC 1859 ²
acknowledgment delay time	*	*					
checksums	*	*					
client	*	*	*	*		*	*
CONS template		*	*	*			
cr timeout			*	*		*	*
direction	*	*	*	*		*	*
er timeout			*	*		*	*
expedited data	*	*	*				*
extended format	*	*	*				
inactivity time	*	*					
initial retransmit time	*	*					
keepalive time	*	*					
local DTE address		*	*	*			
local nsap	*	*	*	*	*		
local reference	*	*	*	*		*	*
local RFC 1006 IP address						*	*
local RFC 1006 port number						*	*
local transport selector	*	*	*	*	*	*	*
maximum nsdu size		*	*	*		*	*
name	*	*	*	*	*	*	*
negotiable classes ¹	*	*	*	*			
negotiated tpdu size	*	*	*	*		*	*
network port	*				*	*	*
network service	*	*	*	*	*	*	*
protocol class	*	*	*	*		*	*
remote DTE address		*	*	*			
remote identifier	*	*	*				*
remote nsap	*	*	*	*			
remote reference	*	*	*	*		*	*
remote RFC 1006 IP address						*	*
remote RFC 1006 port number						*	*

¹Tru64 UNIX

²OpenVMS

(continued on next page)

Table 20–2 (Cont.) Transport Protocols and Network Services

Port Attributes	Class 4 (COTS) over CLNS	Class 4 (COTS) over CONS	Class 2 (COTS) over CONS	Class 0 (COTS) over CONS	CLTS over CLNS ¹	RFC 1006 ²	RFC 1859 ²
remote transport selector	*	*	*	*		*	*
request acknowledgment	*	*					
retransmit threshold	*	*					
round trip delay estimate	*	*					
type	*	*	*	*	*	*	*
uid	*	*	*	*	*	*	*
use CLNS error reports	*						
Template Attributes							
acknowledgment delay time	*	*					
checksums	*	*					
classes	*	*	*	*			
CONS template		*	*	*			
er timeout			*	*		*	*
er timeout			*	*		*	*
expedited data	*	*	*			*	*
inbound	*	*	*	*	*	*	*
initial retransmit time	*	*	*	*			
keepalive time	*	*					
local nsap	*	*	*	*	*		
maximum nsdu size		*	*	*		*	*
name	*	*	*	*	*	*	*
network service	*	*	*	*	*	*	*
retransmit threshold	*	*					
RFC 1006 port number						*	*
security	*	*	*	*			
use CLNS error reports	*						

¹Tru64 UNIX²OpenVMS

OSI Transport Module

20.1 osi transport

20.1 osi transport

The `osi transport` entity is the top-level entity in the hierarchy of entities belonging to the OSI transport module.

Syntax

```
add [node node-id] osi transport {nsap addresses set of NSAP | cons filters set of simple-name |  
RFC1006 listener ports set of integers (OpenVMS) }  
  
create [node node-id] osi transport  
  
delete [node node-id] osi transport  
  
disable [node node-id] osi transport  
  
enable [node node-id] osi transport  
  
enable [node node-id] osi transport [cons filters set of simple-names (Tru64 UNIX)]  
  
remove [node node-id] osi transport {cons nsap addresses set of NSAP | cons filters set of  
simple-names | RFC1006 listener ports set of integer (OpenVMS) }  
  
set [node node-id] osi transport {cltp nsap selector integer (Tru64 UNIX) | congestion avoidance  
boolean | CONS filters set of simple-name | CONS nsap address set of NSAP | delay factor  
integer | delay weight integer | disconnect holdback integer | maximum cltp ports integer (Tru64  
UNIX) | maximum listeners integer (Tru64 UNIX) | maximum multiplexing integer | maximum  
network connections integer | maximum receive buffers integer (OpenVMS) | maximum remote  
nsaps integer | maximum transport connections integer | maximum window integer | nsap  
selector integer | RFC1006 listener ports set of integer (OpenVMS) }  
  
show [node node-id] osi transport [all [attributes] | all characteristics | all status ]
```

20.1.1 Characteristic Attributes

CLNS classes supported

Default: Class {4}

Value: Bit-set

Set of protocol classes supported on the Connectionless Network Service (CLNS). You cannot modify this characteristic.

cltp nsap selector (Tru64 UNIX)

Default: 0

Value: 0–255 (except 32)

The NSAP selector to use for CLTS when running over CLNS. If the value is 0 or 1, a single NSAP is shared between the Connection-Oriented Transport Service (COTS), and the connectionless transport protocol according to the `osi transport` attribute `nsap selector`. If both `nsap selectors` are 0 or 1, then COTS and CLTS over CLNS are disabled.

This attribute cannot be set either to 32, which is the value of the NSP NSAP selector, or to the current setting of the `osi transport` attribute, `nsap selector`, if the attribute has a value other than 0 or 1.

This attribute cannot be modified when transport is enabled.

congestion avoidance

Default: True

Value: True or false

Enables the use of the automatic congestion avoidance mechanism to reduce the transport window size in response to an indication from the Network layer when operating on the Connectionless Network Service (CLNS).

CONS classes supported

Default: Classes {0, 2, 4}

Value: Bit-set

Set of protocol classes supported on the Connection-Oriented Network Service (CONS). You cannot modify this characteristic. See Section 20.1.4 for more information.

CONS filters

Default: { }

Value: Set of simple names

The names of X.25 Access module filters used to determine which inbound network connection requests should be directed to the transport entity. To modify this characteristic with the `remove` and `set` commands, you must first disable the entity. You can modify this characteristic with the `add` command while the `osi transport` entity is enabled.

For each `cons` filter, there must be a corresponding `x25 access` template with the same name. One or more of these filters must be specified in order to run COTS over CONS. The X.25 access filter `osi transport` is typically used. See Section 20.1.4 for more information.

CONS nsap addresses

Default: { }

Value: Set of NSAP addresses

The set of valid NSAP addresses for use with CONS. One or more NSAPs must be specified to run COTS over CONS. See the *DECnet-Plus Planning Guide* for more information.

delay factor

Default: 4

Value: 2–15

Factor by which to multiply the current value of the round trip delay estimate status attribute in order to set a value for the retransmission timer. This attribute works with protocol class 4 only.

delay weight

Default: 5

Value: 0–255

Relative weighting to apply to the current estimate and to a new sample when estimating round-trip delay. This attribute works with protocol class 4 only.

disconnect holdback

Default: 0

Value for Tru64 UNIX: $0-(2^{31} - 1)$

Default: 0

Value for OpenVMS: $0-(2^{32} - 1)$

When operating over the Connection-Oriented Network Service (CONS), the length of the time to maintain a network connection for possible reuse after all transport connections multiplexed upon it have been disconnected. Specified in seconds. This characteristic may not be changed while the transport entity is enabled. See Section 20.1.4 for more information.

iso version

Default: None

Value: 1

Version number of ISO 8073 to which the implementation conforms. You cannot modify this characteristic.

OSI Transport Module

20.1 osi transport

maximum cltp ports (Tru64 UNIX)

Default: 128

Value: $0-(2^{32} - 1)$

Maximum number of CLTS ports at one time. This characteristic can be increased only while transport is enabled. You can modify this characteristic to a lower value only when the entity is disabled.

maximum listeners (Tru64 UNIX)

Default: 32

Value: 1-65535

Maximum number of listeners at one time. This characteristic can be increased only while transport is enabled. You can modify this characteristic to a lower value only when the entity is disabled.

maximum multiplexing

Default for Tru64 UNIX: 1023

Value: 1-1023

Default for OpenVMS: $(2^{32} - 1)$

Value: $1-(2^{32} - 1)$

When operating over the Connection-Oriented Network Service (CONS), the maximum number of transport connections that can be multiplexed on any single network connection. This characteristic can be increased only when the transport entity is enabled. You can modify this characteristic to a lower value only when the entity is disabled. See Section 20.1.4 for more information.

maximum network connections

Default for Tru64 UNIX: 1023

Value: 0-1023

Default for OpenVMS: $(2^{32} - 1)$

Value: $0-(2^{32} - 1)$

When operating over the Connection-Oriented Network Service (CONS), the maximum number of network connections that can be in use concurrently by DNA OSI transport. This characteristic can be increased only when the transport entity is enabled. See Section 20.1.4 for more information.

maximum receive buffers (OpenVMS)

Default: 2000

Value: $1-(2^{32} - 1)$

Maximum number of receive buffers that can store received DT transport PDUs. You can modify this characteristic only when the entity is disabled. Also, you can only increase the characteristic value.

maximum remote nsaps

Default for Tru64 UNIX: 160

Value: 1-65536

Default for OpenVMS: 201

Value: $0-(2^{32} - 1)$

Maximum number of remote NSAPs that can exist concurrently. This value must be greater than the current value of maximum transport connections. You can modify this characteristic to a lower value only when the entity is disabled. This characteristic can be increased when enabled.

maximum transport connections

Default for Tru64 UNIX: 128

Value: 0-1023

Default for OpenVMS: 200 **Value:** $0-(2^{32} - 1)$

Maximum number of active transport connections allowed at one time. Must be less than the current value of `maximum remote nsaps`. You can modify this characteristic to a lower value only when the entity is disabled.

maximum window

Default for Tru64 UNIX: 20 **Value:** 1-65535

Default for OpenVMS: 8 **Value:** 1-65535

Maximum credit window that can be granted on a transport connection. This is used for control of the number of data segments (PDUs) allowed to be transmitted over a particular transport connection before at least one acknowledgment must be returned from the destination system. If the number of PDUs already transmitted equals the `maximum window` and no corresponding acknowledgments have been received, transport stops sending PDUs over the transport connection and waits for an acknowledgment message. You can modify this characteristic to a lower value only when the entity is disabled.

nsap selector

Default: 33 **Value:** 0-255 (except 32)

The NSAP selector to use for the Connection-Oriented Transport Service (COTS) when running over CLNS. If 0 or 1, COTS over CLNS is not enabled. This attribute cannot be set to 32, which is the value of the NSP NSAP selector. Or, on Tru64 UNIX, to the current setting of the `osi transport attribute cltp nsap selector` if it is other than 0 or 1.

This attribute cannot be modified when transport is enabled.

RFC 1006 listener ports (OpenVMS)

Default: { 102, 399 } **Value:** Set of TCP/IP port numbers

The names of the TCP listener ports used to receive inbound RFC 1006 connection requests. Port 102 is applicable for RFC 1006 (OSI over TCP/IP) connections, and port 399 is applicable for RFC 1859 (DECnet over TCP/IP) connections. You can only remove RFC 1006 listener ports when the entity is disabled.

support map

Default: None **Value:** False

Specifies whether the implementation supports the MAP (Manufacturing Automation Protocol) entity. You cannot modify this characteristic.

version

Default: None **Value:** V1.1.0

Version number of the DNA OSI transport architecture specification to which the implementation conforms. You cannot modify this characteristic.

OSI Transport Module

20.1 osi transport

20.1.2 Status Attributes

currently active cltp ports (Tru64 UNIX)

Number of active CLTS ports.

currently active connections

Number of active transport connections.

currently active listeners (Tru64 UNIX)

Number of active listeners. The Session Control listener (local transport selector 'DEC0'H) can exist even when osi transport is disabled. All other listeners are deactivated when transport is disabled.

state

Status of the osi transport entity.

off The osi transport entity is disabled.

on The osi transport entity is enabled.

uid

Entity's unique identifier, which is generated when the entity is created.

20.1.3 Exception Messages

For create:

already exists

An osi transport entity already exists.

For delete:

wrong state

Disable the osi transport entity before trying to delete it.

For enable:

CONS filters unavailable

Attempt to enable the OSI transport module failed because the X.25 access filters, specified by the cons filters attribute, either do not exist or are already in use.

OSI transport disabled (Tru64 UNIX)

Cannot enable a set of cons filters unless OSI transport has already been enabled.

routing unavailable

Attempt to enable the OSI transport module failed because the port to routing (CLNS) could not be opened.

20.1.4 X.25/CONS Configuration

Certain transport attributes apply only when X.25 is installed and configured in the system. These attributes are indicated by references in each attribute description.

To use osi transport over X.25:

- Set the osi transport entity attribute cons filters. Verify that an X.25 access filter with the same name exists.
- Set the osi transport entity attribute cons nsap addresses.

- Create one or more OSI transport templates for use over CONS.
- In the new OSI transport template, set the inbound characteristic to true.
- In the new OSI transport template, set the network service to cons or any (allowed for incoming connections only).
- In the new OSI transport template, check the cons template. Verify that an X.25 access template with the same name exists.
- To write a program that uses OSI transport over CONS, see the *DECnet-Plus Planning Guide*.

20.1.5 RFC 1006 and RFC 1859 Configuration (OpenVMS)

Certain transport attributes only apply when operating over TCP/IP and are indicated by references in each attribute description. To use RFC 1006 and/or RFC 1859:

- Set the OSI transport entity attribute RFC 1006 listener ports to 102 (for RFC 1006) and 399 (for RFC 1859). Verify that the installed TCP/IP provider has TCP port 102 and 399 bound.
- Create one or more OSI transport templates for use over RFC 1006.
- In the new OSI transport template, set the network service to RFC 1006 and the inbound characteristic to true.

OSI Transport Module

20.2 osi transport application (OpenVMS)

20.2 osi transport application (OpenVMS)

An osi transport application entity stores information about an end user that is activated for receipt of an incoming connection request when the request contains that end user's name in its Destination Name field. The *application-name* refers to the application managed by this command.

Syntax

create [node *node-id*] osi transport application *application-name*

delete [node *node-id*] osi transport application *application-name*

set [node *node-id*] osi transport application *application-name* {called tsels *TSEL* | file name *filespec* | username "*username*" }

show [node *node-id*] osi transport application *application-name* [all [attributes] | all characteristics | all counters | all identifiers]

20.2.1 Characteristic Attributes

called tsels

Default: No tsap

Value: TSEL

A TSEL is a string of hexadecimal digits, the length of that string should be an even number between 2 and 64, inclusive. This attribute cannot have more than one member.

Transport service access point (TSAP) for which the image specified by the image name characteristic accepts connections. This characteristic, which is similar to the addresses characteristic, is used by applications that do not use the DNA Session Control protocol (for example, VOTS applications).

file name

Default: No file name

Value: File specification

File name of the program to be invoked upon receipt of a connect request containing a TSEL matching the "Called TSELS" attribute of the application entity.

username

Default: No user name

Value: "User name"

User name portion of the access control information that identifies the account under which the application is to run. If invalid information or no user name is specified, system defaults are used to select the user.

20.2.2 Counter Attributes

creation time

Time at which the entity was created.

20.2.3 Identifier Attributes

name

Simple name assigned to the application when it is created.

20.3 osi transport local nsap

An OSI transport local NSAP entity is automatically created for each NSAP address used by the `osi transport` entity. Local NSAPs are used primarily to group together remote NSAPs (see the OSI transport local NSAP remote NSAP entity). The *nsap-address* refers to the local NSAP managed by this command.

Syntax

```
show [node node-id] osi transport local nsap address [all [attributes] | all counters | all identifiers | all status ]
```

20.3.1 Counter Attributes

creation time

Time this entity was created.

deleted remote nsaps

Number of times a remote NSAP has been deleted in order to reclaim the resources.

20.3.2 Identifier Attributes

name

Simple name assigned to the local NSAP when it is created.

20.3.3 Status Attributes

DTE address

Default: Entity DTE address **Value:** DTE address

Address assigned to the DTE when it is created.

IP address

Default: Entity IP address **Value:** IP address

Address assigned to the IP when it is created.

network service

Default: CLNS **Value:** Any, CLNS, CONS, or RFC 1006 (OpenVMS)

Type of network service being used.

nsap address

Default: Entity NSAP Address **Value:** NSAP address

NSAP address corresponding to entity.

uid

Entity's unique identifier, generated when the entity is created.

OSI Transport Module

20.3 osi transport local nsap

20.3.4 Event Messages

deleted remote nsap

This event is generated each time a remote NSAP is deleted.

Arguments: The event message lists all attributes for the deleted entity.

20.4 osi transport local nsap remote nsap

An `osi transport local nsap remote nsap` entity maintains the transport counters and generates events resulting from interactions between its superior local NSAP and a remote transport service. The *nsap-address* refers to the remote NSAP managed by this command.

Syntax

```
show [node node-id] osi transport local nsap address remote nsap address [all [attributes] | all counters | all identifiers | all status ]
```

20.4.1 Counter Attributes

connectionless bytes received (Tru64 UNIX)

Number of bytes received in UD TPDU's from this remote service provider.

connectionless bytes sent (Tru64 UNIX)

Number of bytes sent in UD TPDU's to this remote service provider.

connects received

Total number of CR (connection request) TPDU's, regardless of their disposition, that the local NSAP has received from the remote NSAP.

connects sent

Total number of CR (connection request) TPDU's sent by the local NSAP to the remote NSAP, including retransmissions.

creation time

Time this entity was created.

duplicate pdus received

Total number of all types of detected duplicate TPDU's received from the remote NSAP.

failed checksums

Number of checksum failure events detected.

local protocol errors

Number of reported local protocol error events. This event is generated whenever an ER (error) TPDU is received from the remote NSAP.

pdus received

Total number of all types of TPDU's received from the remote NSAP (excluding detected duplicates).

pdus sent

Total number of all types of TPDU's sent to the remote NSAP (excluding retransmissions).

rejects received

Number of detected reject received events.

rejects sent

Number of detected reject sent events.

OSI Transport Module

20.4 osi transport local nsap remote nsap

remote protocol errors

Number of reported invalid tpdu received events. This event is generated whenever the remote NSAP violates the Transport Protocol.

retransmitted pdus

Total number of all types of retransmitted TPDU's sent to the remote NSAP.

total octets received

Total number of octets of all types of TPDU's received from the remote NSAP, regardless of their disposition. This count includes detected duplicates.

total octets sent

Total number of octets of all types of TPDU's sent to the remote NSAP, including retransmissions.

ud pdus received (Tru64 UNIX)

Number of UD TPDU's received from this remote service provider.

ud pdus sent (Tru64 UNIX)

Number of UD TPDU's sent to this remote service provider.

user octets received

Total number of user data octets received from the remote NSAP, including normal, expedited, connect, accept, and disconnect data. This count does not include duplicates such as data retransmitted by the remote NSAP.

user octets sent

Total number of user data octets sent to the remote NSAP, including normal, expedited, connect, accept, and disconnect data. This count does not include data retransmitted by the local NSAP.

user pdus discarded

Number of PDUs received from the remote NSAP that were discarded because of insufficient buffer space.

user pdus received

Total number of TPDU's containing user data received from the remote NSAP, including normal, expedited, connect, accept, and disconnect data. This count does not include duplicates such as TPDU's retransmitted by the remote NSAP.

user pdus sent

Total number of TPDU's containing user data sent to the remote NSAP, including normal, expedited, connect, accept, and disconnect data. This count does not include retransmitted TPDU's.

20.4.2 Identifier Attributes

name

Simple name assigned to the remote NSAP when it is created.

20.4.3 Status Attributes

DTE address

Address assigned to the DTE when it is created.

IP address

Address assigned to the IP when it is created.

nsap address

Address assigned to the NSAP when it is created.

uid

Entity's unique identifier, generated when the entity is created.

20.4.4 Event Messages

checksum failure

Generated each time a checksum validation fails on a received TPDU.

er tpd received

Generated whenever an ER (error) TPDU is received from the remote NSAP. The local protocol error counter will be incremented.

Arguments:

**DNA error
(OpenVMS)**

The unique error number used to unambiguously distinguish between different errors. This number is completely independent of the reason and reject cause values defined by the OSI transport protocol, the set of which is too sparse to provide useful information.

**erroneous
transport PDU**

The portion of the invalid TPDU received in the invalid TPDU parameter of the ER TPDU.

reject cause

The value of the reject cause parameter in the received ER TPDU.

invalid tpd received

Generated when a TPDU received from the remote NSAP is in violation of the OSI transport protocol. If the error occurred during connection establishment, a DR (disconnect request) TPDU will be sent in response to the protocol error. If the error occurred on an established transport connection, an ER (error) TPDU will be sent in response to the protocol error. The remote protocol error counter will be incremented.

Arguments:

DNA error

The unique error number used to unambiguously distinguish between different errors. This number is completely independent of the reason and reject cause values defined by the OSI transport protocol, the set of which is too sparse to provide useful information.

**erroneous
transport PDU
(OpenVMS)**

The portion of the invalid TPDU transmitted or received in the invalid TPDU parameter of the ER or DR TPDU.

reject cause

If an ER TPDU was transmitted or received, this is the value of the reject cause parameter. If a DR was transmitted, this is the value of the reason parameter.

local transport disconnection

Generated each time a connection attempt initiated by the remote NSAP is rejected by the local NSAP. This does not include rejects generated by the local user of the transport service. Thus, this event is generated on the transmission of a DR TPDU in which the reason parameter has a value other than 128. The reject sent counter will be incremented.

OSI Transport Module

20.4 osi transport local nsap remote nsap

DNA error This is the value transmitted in the additional information parameter of the DR TPDU.

remote transport disconnection

Generated each time a connection attempt initiated from the local NSAP is rejected by the remote NSAP. This does not include rejects requested by the remote user of the transport service. Thus, this event is generated on the receipt of a DR TPDU in which the reason parameter has a value other than 128 (which is a normal disconnect). The reject received counter will be incremented.

Arguments:

reason Reason why the event was generated and it is the value received in the reason parameter of the DR TPDU.

additional information The value received in the additional information parameter of the DR TPDU. If the remote NSAP is a DNA OSI transport implementation, the additional information parameter will have one of the following values:

'01'H	Too much user data in CR (connection request) or CC (connection confirm) TPDU
'02'H	Proposed TPDU size invalid
'05'H	Invalid protocol class requested
'07'H	Illegal negotiation attempted
'08'H	Invalid parameter in TPDU
'09'H	TPDU header length invalid
'0A'H	Parameter length error in TPDU header
'0B'H	TPDU longer than negotiated maximum
'0C'H	Segmentation of expedited data illegal
'0D'H	Invalid parameter value
'10'H	Invalid TPDU type
'12'H	Expedited data out of sequence
'40'H	Unknown transport selector
'41'H	Proposed protocol class(es) unavailable
'42'H	Insufficient resources
'43'H	Maximum connections already active
'80'H	Unknown reference
'81'H	Connection timed out
'82'H	Idle connection timed out
'83'H	Unacknowledged ER TPDU

20.5 osi transport port

An `osi transport port` entity represents one end of a transport connection and maintains status information about that connection. Although the connectionless transport protocol does not create transport connections, ports are still used to maintain status information.

On Tru64 UNIX, a port can also represent a listener, which is a passive end point awaiting connect requests from the remote transport service provider. Normally, ports exist only when OSI transport is enabled. However, the port that represents the Session Control listener (local transport selector 'DEC0'H) is a special case. This port can exist even when OSI transport is disabled.

The port attributes `type`, and for Tru64 UNIX `direction`, can be used to distinguish the various uses of ports.

The *port-name* refers to the name of the port managed by this command.

Syntax

```
delete [node node-id] osi transport port port-name
```

```
show [node node-id] osi transport port port-name [all [attributes] | all counters | all identifiers | all status ]
```

20.5.1 Commands

delete

The `delete` command disconnects the connection if the port direction is either incoming or outgoing, and deletes the port. A local transport disconnection event will also be generated.

The port that represents the Session Control listener (local transport selector 'DEC0'H) is a special case and cannot be deleted. An error is not returned if an attempt is made to delete the session control listener.

20.5.2 Counter Attributes

creation time

Time the port was assigned to a transport connection.

duplicate pdus received

Total number of all types of detected duplicate TPDU's received from the remote NSAP. This attribute applies only to COTS.

failed checksum

Number of checksum failure events detected.

pdus received

Total number of all types of TPDU's received from the remote NSAP (excluding detected duplicates).

pdus sent

Total number of all types of TPDU's sent to the remote NSAP (excluding retransmissions).

retransmitted pdus

Total number of all types of retransmitted TPDU's sent to the remote NSAP. For Tru64 UNIX, this attribute applies to CLTS only.

OSI Transport Module

20.5 osi transport port

total octets received

Total number of octets of all types of TPDU's received from the remote NSAP, regardless of their disposition. This count includes detected duplicates.

total octets sent

Total number of octets of all types of TPDU's sent to the remote NSAP, including retransmissions.

user octets received

Total number of user data octets received from the remote NSAP, including normal, expedited, connect, accept, and disconnect data. This count does not include duplicates such as data retransmitted by the remote NSAP.

user octets sent

Total number of user data octets sent to the remote NSAP, including normal, expedited, connect, accept, and disconnect data. This count does not include data retransmitted by the local NSAP.

user pdus received

Total number of PDU's containing user data received from the remote NSAP, including normal, expedited, connect, accept, and disconnect data. This count does not include duplicates such as TPDU's retransmitted by the remote NSAP.

user pdus sent

Total number of TPDU's containing user data sent to the remote NSAP, including normal, expedited, connect, accept, and disconnect data. This count does not include retransmitted TPDU's.

20.5.3 Identifier Attributes

name

Simple name assigned to the port when it is created.

20.5.4 Status Attributes

acknowledgment delay time

Default: None

Value: 0–65

Maximum amount of time, in seconds, that an AK TPDU is to be withheld. This attribute applies to protocol class 4 only.

checksums

Default: None

Value: True or false

Indicates whether checksums are in use on the transport connection. This attribute is supported only for class 4 protocol.

client

Default: None

Value: Local-entity-name

Name designated by the port user when the port was opened. If DNA session control is being used, this is the name of the session control port being used.

CLNS inactive area address (OpenVMS)

Specifies the inactive area address used by the transport template associated with this port.

CONS template

Default: None

Value: Simple-name

When operating over the CONS, the name of the X.25 Access module's template specified when establishing the underlying network connection.

cr timeout

Default: None

Value for Tru64 UNIX: $1-(2^{31} - 1)$

Default: None

Value for OpenVMS: $1-(2^{32} - 1)$

Amount of time, in seconds, to wait for a response to a CR TPDU before assuming that the remote transport service provider will not respond. This attribute is valid for protocol classes 0 and 2 only.

direction

Indicates whether the port is open to initiate an outgoing connection, to receive an incoming connection, or is listening for incoming connection requests.

incoming Transport connection initiated by remote transport service.

listening Listening for incoming connection requests.

outgoing Transport connection initiated by this transport service.

unknown Port direction is not known.

er timeout

Default: None

Value for Tru64 UNIX: $1-(2^{31} - 1)$

Default: None

Value for OpenVMS: $1-(2^{32} - 1)$

Amount of time, in seconds, to wait for a response to an ER TPDU before disconnecting the network connection. This attribute is valid for protocol classes 0 and 2 only.

expedited data

Default: None

Value: True or false

Indicates whether the expedited data option is in use for the transport connection. This attribute is supported only for class 2 and class 4 protocols.

extended format

Default: None

Value: True or false

Indicates whether the use of extended formats should be negotiated for a transport connection which operates the class 2 or 4 protocol.

incoming network priority (OpenVMS)

Default: None

Value: 0-255

When operating over CLNS, indicates network priority encoded in NPDU header for all received packets.

inactivity time

Default: None

Value: 4-65532

Time, in seconds, being used for the inactivity timer. This value is the product of multiplying the keepalive time by the inactivity factor (architectural constant = 4). This attribute is valid for protocol class 4 only.

OSI Transport Module

20.5 osi transport port

initial retransmit time

Default: None

Value for Tru64 UNIX: $1-(2^{31} - 1)$

Default: None

Value for OpenVMS: $1-(2^{32} - 1)$

Time, in seconds, used for the retransmission timer when sending the first TPDU on the transport connection. The value of this attribute is derived from the template used when the port was initialized. This attribute applies to COTS only.

keepalive time

Default: None

Value: 1-16383

Time, in seconds, being used for the window timer. The value of this attribute is derived from the template used when the port was initialized. This attribute is valid for protocol class 4 only.

local DTE address

Default: None

Value: DTE address

Local DTE address being used for the transport connection. This attribute applies if network service is CONS.

local nsap

Default: None

Value: NSAP address

Local NSAP address being used for the transport connection. This attribute applies if network service is CLNS or CONS.

local RFC 1006 IP address (OpenVMS)

Default: None

Value: IP address

Local IP address being used for the transport connection. This attribute applies if network service is RFC 1006.

local RFC 1006 port number (OpenVMS)

Default: None

Value: TCP port number

Local RFC 1006 port number being used for the transport connection. This attribute applies if network service is RFC 1006.

local reference

Default: None

Value: 1-65535

Unique reference number assigned to the transport connection by the local transport service provider. This attribute applies to COTS only.

local transport selector

Default: None

Value: TSEL

Local transport selector for this port.

maximum nsdu size

Default: None

Value for Tru64 UNIX: $128-(2^{32} - 1)$

Default: None **Value for OpenVMS:** 2048

When operating over the CONS, the maximum NSDU size for transmitting and receiving buffers. Expressed as a number of octets. This attribute is valid for CONS, or RFC 1006 (OpenVMS).

negotiable classes (Tru64 UNIX)

Default: None **Value:** Bit-set

Protocol classes that may be sent in response to an incoming connect request. This attribute is valid if `direction = listening` and applies to COTS only.

negotiated tpdu size

Default: None **Value:** $128 - (2^{32} - 1)$

The TPDU size that was negotiated for this transport connection. This attribute applies to COTS only.

network port

Default: None **Value:** Local-entity-name

Name of the network service port being used.

network service

Default: None **Value:** CLNS, CONS, or RFC 1006 (OpenVMS)

Type of network service over which the transport connection is operating. Attribute value derived from the template used when the port was initialized.

CLNS	Connectionless Network Service
CONS	Connection-Oriented Network Service
RFC 1006	ISO Transport Service on top of TCP

outgoing network priority (OpenVMS)

Default: None **Value:** 0–255

When operating over CLNS, indicates network priority encoded in NPDU header for all transmitted packets.

protocol class

Default: None **Value:** 0, 2, or 4

Protocol class operating on the transport connection. This attribute is not valid for CLTS.

remote DTE address

Default: None **Value:** DTE address

Remote DTE address being used for the transport connection. This attribute applies to COTS and if the network service is CONS.

OSI Transport Module

20.5 osi transport port

remote identifier

Default: None

Value: Latin1String

Implementation identity and version of the remote NSAP. When present, this value is received in the identification of implementation parameter of the CR or CC TPDU. This attribute applies to COTS only.

remote nsap

Default: None

Value: NSAP address

Remote NSAP address used for the transport connection. This attribute applies to COTS and if network service is either CONS or CLNS.

remote reference

Default: None

Value: 0–65535

Reference number assigned to the transport connection by the remote transport service provider. The value is 0 if the transport connection is operating the class 0 protocol. This attribute applies to COTS only.

remote RFC 1006 port number (OpenVMS)

Default: None

Value: TCP port number

Remote TCP port number used for the transport connection. This attribute applies to COTS and if the network service is RFC 1006.

remote RFC 1006 IP address (OpenVMS)

Default: None

Value: IP address

Remote IP address used for the transport connection. This attribute applies to COTS and if the network service is RFC 1006.

remote transport selector

Default: None

Value: TSEL

Remote transport selector that identifies the remote transport service user. This attribute applies to COTS only.

request acknowledgment

Default: None

Value: True or false

Indicates whether request acknowledgment was negotiated for this transport connection. This attribute is valid for class 4 protocol only.

retransmit threshold

Default: None

Value: $0-(2^{32} - 1)$

Number of times a TPDU requiring acknowledgment is to be retransmitted without acknowledgment before the transmission completes with an error. This attribute is valid for class 4 protocol only.

round trip delay estimate

Default: None

Value for Tru64 UNIX: $1-(2^{32} - 1)$

Default: None **Value for OpenVMS:** $0-(2^{32} - 1)$

Current estimate, in milliseconds, of the round-trip delay on the transport connection. This attribute is valid for protocol class 4 only.

send implementation id

Default: None **Value:** True or false

Indicates whether the implementation id will be sent in the CR. It is always returned in the CC if it is present in the CR.

send preferred maximum TPDU size

Default: None **Value:** True or false

Indicates whether the preferred maximum TPDU size parameter was sent in the CR or CC TPDU.

send request acknowledgment (OpenVMS)

Default: None **Value:** True or false

Indicates whether the request acknowledgment parameter was sent in the CR or CC TPDU.

type

Default: None **Value:** CO or CL

Indicates that the port is being used for the connection-oriented (CO) transport protocol.

CL Connectionless Transport Service

CO Connection-Oriented Transport Service

uid

Default: None **Value:** uid

Entity's unique identifier, which is generated when the entity is created.

use CLNS error reports

Default: None **Value:** True or false

When operating over CLNS, indicates whether the network Routing layer's error reporting facility should be used when performing connection establishment. This attribute applies to COTS only.

OSI Transport Module

20.6 osi transport template

20.6 osi transport template

An `osi transport template` entity provides a collection of characteristics that supply default values for certain parameters that influence the operation of a port on a transport connection. One template, with the reserved identifier `default`, is automatically created when the `osi transport` entity is created. This template is used by default when a user does not specify a template identifier in a call to establish a connection. The default template is deleted automatically when the `osi transport` entity is deleted. Similarly, the initial values of the attributes in a template are the same as the current values in the default template. The *template-name* refers to the template managed by this command.

For Tru64 UNIX, the only attributes that apply to CLTS are `checksum`, `network service`, and `local nsap`.

Syntax

```
add [node node-id] osi transport template template-name classes bit-set
create [node node-id] osi transport template template-name
delete [node node-id] osi transport template template-name
remove [node node-id] osi transport template template-name classes bit-set
set [node node-id] osi transport template template-name {acknowledge delay time integer | checksums
boolean | classes bit-set | CLNS inactive area address set-of-area-address (OpenVMS) |
CONS template simple-name | cr timeout integer | er timeout integer | expedited data boolean
| extended format boolean | inbound boolean (OpenVMS) | initial retransmit time integer |
keepalive time integer | local nsap nsap-address | loopback boolean (OpenVMS) | maximum
nsdu size integer | network service type | network priority integer (OpenVMS) | retransmit
threshold integer | RFC 1006 port number integer (OpenVMS) | security octet string | send
implementation id boolean | send preferred maximum TPDU size boolean | send request
acknowledgment boolean | use CLNS error reports boolean }
show [node node-id] osi transport template template-name [all [attributes] | all characteristics | all
identifiers ]
```

20.6.1 Characteristic Attributes

acknowledgment delay time

Default: 1

Value: 0–65

Maximum amount of time, in seconds, that an AK TPDU is to be withheld. This attribute is valid for protocol class 4 only.

checksums

Default: False

Value: True or false

Specifies whether the use of checksums should be negotiated for a transport connection. This attribute is valid for protocol class 4 only.

classes

Default: {4}

Value: Bit-set

Set of protocol classes that can be negotiated for use on a transport connection. If the value of the network service attribute is CLNS, the class must be a subset of the classes supported by the OSI transport attribute `clns classes supported`. If the value is CONS, the classes must be a subset of the classes supported by the OSI transport attribute `cons classes supported`. If the value of the network

OSI Transport Module 20.6 osi transport template

service attribute is ANY, the classes must be a subset of the combined classes in the `clsns` classes supported and `cons` classes supported attributes.

CLNS inactive area address (OpenVMS)

Default: Empty set

Value: Set of area-address

Specifies the inactive area address to be used by transport connections that use this template. This characteristic is relevant only for connections that use CLNS with null internet. The set must contain no more than one area address.

CONS template

Default: OSI transport

Value: Simple-name

Name of the X.25 Access module template to be used when establishing a network connection over the CONS. Used only when the value of the network service attribute is `cons`.

cr timeout

Default: 30

Value for Tru64 UNIX: $1-(2^{31} - 1)$

Default: 30

Value for OpenVMS: $1-(2^{32} - 1)$

During connection establishment, the amount of time, in seconds, to wait for a response to a CR TPDU before assuming that the remote transport service provider will not respond. This attribute is valid for protocol classes 0 and 2 only.

er timeout

Default: 30

Value for Tru64 UNIX: $1-(2^{31} - 1)$

Default: 30

Value for OpenVMS: $1-(2^{32} - 1)$

The amount of time, in seconds, to wait for a response to an ER TPDU before disconnecting the network connection. This attribute is used for protocol classes 0 and 2 only.

expedited data

Default: True

Value: True or false

Specifies whether use of the expedited data option should be negotiated for the transport connections. This attribute is not valid for protocol class 0.

extended format

Default: None

Value: True or false

Specifies whether the use of extended TPDU format should be negotiated for the transport connections. Normal format gives 7-bit sequence numbers and 4-bit credit fields; extended format gives 31-bit sequence numbers and 16-bit credit fields. This attribute is supported only for class 2 and class 4 protocols.

inbound (OpenVMS)

Default: True

Value: True or false

Indicates whether this template may be used as the template for an inbound transport connection. The algorithm of selection of the inbound template is different depending on the type of network service over which the transport connection is made. If an inbound template cannot be found for an inbound transport connection, then the template called `default` will be selected as the

OSI Transport Module

20.6 osi transport template

default. For the CLNS network service, the inbound template selected is the first template found that has the Inbound attribute set to true, the Network Service attribute set to CLNS, and the CLNS Inactive Area Address attribute set to empty set.

For the CLNS network service (using the inactive subset, that is, null internet), the incoming template selected is the first template found that has the Inbound attribute set to True, the Network Service attribute set to CLNS and the CLNS Inactive Area Address attribute matches the Inactive Area Address attribute of the Routing Circuit entity that the transport connection is using. For the CONS network service, the inbound template selected is the first template found that has the inbound attribute set to true, the network service attribute set to CONS and the CONS template attribute (that is, an X.25 Access template name) matches the name of the X.25 Access filter that was used to accept the inbound network connection.

initial retransmit time

Default: 5

Value for Tru64 UNIX: $1-(2^{31} - 1)$

Default: 5

Value for OpenVMS: $1-(2^{32} - 1)$

Amount of time, in seconds, to wait for an acknowledgment before retransmitting the first TPDU over the transport connection.

keepalive time

Default: 60

Value: 1-16383

Time, in seconds, to be used for the window timer. When the transport service provider has no TPDU's to send over a transport connection, it retransmits the last AK TPDU at the specified frequency to prevent expiration of the remote NSAP's inactivity timer. This attribute is valid for protocol class 4 only.

local nsap

Default: System dependent, determined at run-time **Value:** NSAP address

A local NSAP address to be used by default if one is not supplied across the service interface.

loopback (OpenVMS)

Default: False

Value: True or false

Specifies whether transport connections using this template are looped back locally in the Transport layer.

maximum nsdu size

Default: 2048

Value for Tru64 UNIX: $128-(2^{32} - 1)$

Default: 2048

Value for OpenVMS: 2048

When operating over the CONS, the maximum NSDU size to use for transmit and receive buffers. Expressed as a number of octets.

network priority (OpenVMS)

Default: 0 **Value:** 0–255

When operating over CLNS, indicates network priority encoded in NPDU header for all transmitted packets. It may be used by intermediate systems to assign the packets to queues of appropriate priority.

network service

Default: CLNS **Value:** Any, CLNS, CONS, or RFC 1006 (OpenVMS)

Type of network service. On Tru64 UNIX, the default template network service cannot be set to *any*. The network service chosen must be compatible with the value of the protocol class attribute.

any	Either
CLNS	Connectionless Network Service
CONS	Connection-Oriented Network Service
RFC 1006	ISO transport service on top of TCP

retransmit threshold

Default: 8 **Value:** $0-(2^{32} - 1)$

Number of times a TPDU requiring acknowledgment is to be retransmitted before it is assumed that network connectivity has failed. This attribute is valid for protocol class 4 only.

RFC 1006 port number (OpenVMS)

Default: 102 **Value:** TCP port number

Specifies the TCP port number to use. Only applicable if the network service is RFC 1006.

security

Default: Null value **Value:** Octet string

An octet string to be transmitted in the security parameter of a CR or CC TPDU. A null value causes the security parameter to be omitted from the TPDU. For security reasons, this attribute cannot be displayed.

send implementation id

Default: True **Value:** True or false

Indicates whether the implementation id should be sent in the CR if the proposed protocol class is 2 or 4. It is always returned in the CC if it is present in the CR.

send preferred maximum TPDU size

Default: True **Value:** True or false

Indicates whether the preferred maximum TPDU size parameter should be sent in the CR TPDU.

OSI Transport Module

20.6 osi transport template

If the preferred maximum TPDU size parameter was present in the CR TPDU, then it indicates whether the preferred maximum TPDU size parameter should be sent in the CC TPDU.

Note

The default value of this characteristic should not be changed unless the remote implementation does not conform to ISO 8073.

send request acknowledgment

Default: True

Value: True or false

Indicates whether the request acknowledgment parameter should be sent in the CR TPDU.

If the request acknowledgment parameter was present in the CR TPDU, then it indicates whether the request acknowledgment parameter should be sent in the CC TPDU.

Note

The default of this characteristic should not be changed unless the remote implementation does not conform to ISO 8073.

use CLNS error reports

Default: False

Value: True or false

Indicates whether the network Routing layer's error report facility should be used when performing connection establishment. If set to true, this may result in faster detection of an unreachable node at the time of connection establishment. This characteristic should not be set to true on an end system that is either dual-railed or connected to a network that has a high probability of duplication. This is valid only if network service equals *CLNS*.

20.6.2 Identifier Attributes

name

Simple name assigned to the template when it is created. The name default is reserved.

20.6.3 Exception Messages

For create:

already exists

An osi transport template entity already exists.

For delete:

cannot delete default template

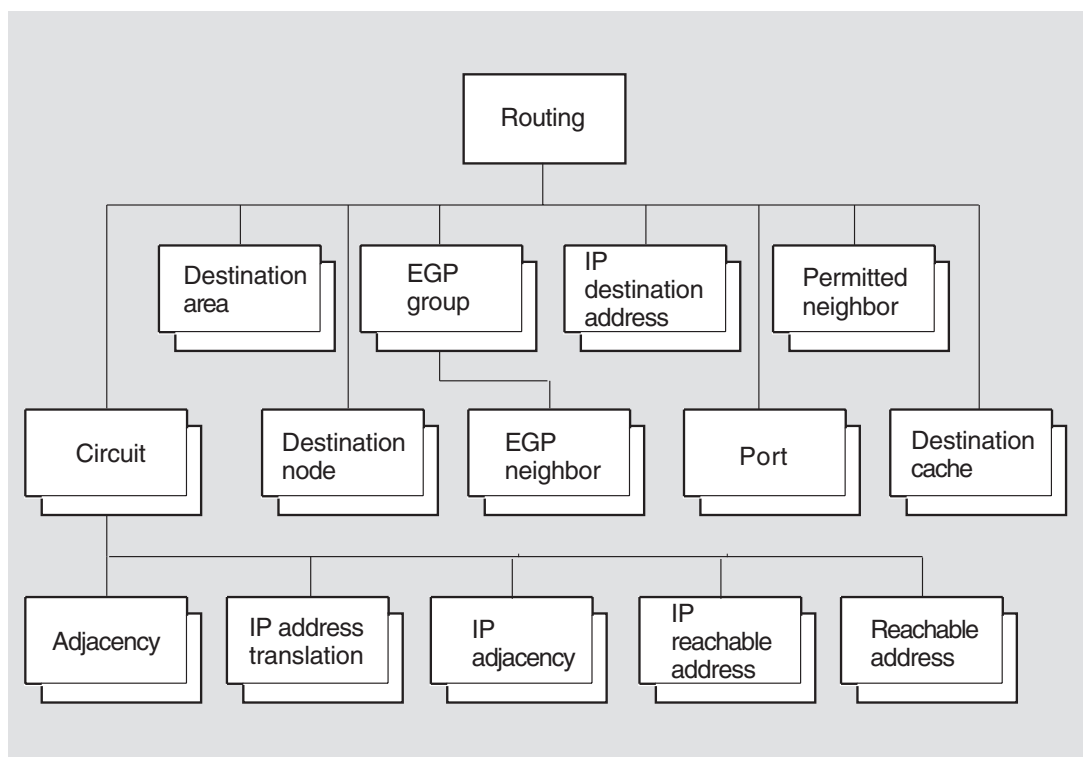
Attempt to delete the osi transport template entity failed because the template named default cannot be deleted.

Routing Module

This chapter describes all the commands you can use to manage the entities that constitute the Routing module. The Routing module implements the Network Routing layer described by the DIGITAL Network Architecture (DNA).

Figure 21–1 shows the hierarchical relationship of the entities that constitute the Routing module.

Figure 21–1 Hierarchy of Routing Module Entities



LKG-09715-94R

The Routing module routes messages in the network and manages the message packet flow. The Routing module components provide the following functions:

- **Routing** — determines packet paths. A path is the sequence of connected nodes and links between a source node and a destination node. The combined knowledge of all the network Routing layer modules of all the nodes in a network is used to determine the existence of a path, and route the packet to

Routing Module

its destination. The routing component at a routing node has the following specific functions:

- Extracts and interprets the route header in a packet.
- Performs packet forwarding based on the destination address.
- Performs packet fragmentation where necessary.
- Manages the characteristics of the path and if a node or link fails on a path, finds an alternate route.
- Interfaces with the Network Routing Subnetwork Dependent sublayer to receive reports concerning a circuit or node that has failed or the subsequent recovery of a circuit or node.
- Performs packet reassembly at the destination.
- Returns error reports to the source where necessary, for instance when the destination is unreachable or when the packet would have needed to be fragmented but *segmentation permitted* was not set in the packet. *Segmentation permitted* is always set in data packets generated by DNA nodes. However, non-DNA nodes may do otherwise.
- Congestion control — manages the resources used at each packet switching node (each node that permits route-through).
- Packet lifetime control—bounds the amount of time a packet can exist in the network.
- Initialization — identifies the adjacent node and the adjacent node's network routing layer. It also performs node verification, if required.
- Dynamic circuit management — determines when to dial calls, when to hang up calls, and (on dynamically assigned circuits) which DTE address to dial. It exists only on dynamically established data links.

21.1 Support for Attributes and Events

Whether a particular attribute or event of a Routing module entity is supported often depends on the type of node on which the Routing module is operating. The description of an attribute or event indicates the type of node for which the attribute or event is supported, using the following key:

L1	The attribute is supported only for level 1 routers.
L2	The attribute is supported only for level 2 routers.
L1,L2	The attribute is supported only for level 1 or level 2 routers.
End	The attribute is supported only for end nodes.
IP	The attribute is supported only for routers that support dual routing (that is, both OSI and IP routing).
All	The attribute is supported by all implementations.

21.2 routing

The `routing` entity is the top-level entity in the Routing module hierarchy of entities. The Routing module controls the operation of network routing within a node.

Syntax

```
add [node node-id] routing {manual area addresses set of area-address | manual network entity titles
    set of NET }

create [node node-id] routing {type routing-type | protocols protocol-set }

delete [node node-id] routing

disable [node node-id] routing

enable [node node-id] routing

ping [node node-id] routing {destination ip-address | size integer | timeout integer }

remove [node node-id] routing {manual area addresses set of area-address | manual network entity
    titles set of NET }

set [node node-id] routing {area authentication type none or simple | area receive passwords set of
    hex-string | area send password hex-string | autonomous system number integer | dna address
    format boolean | domain authentication type none or simple | domain receive passwords set
    of hex-string | domain send password hex-string | generate checksums boolean | lifetime
    integer | manual area addresses set of area-address | manual L1 algorithm algorithm | manual
    L2 algorithm algorithm | manual network entity titles set of NET | maximum buffers integer |
    maximum path splits integer | phaseiv address phase4-address | phaseiv prefix address-prefix |
    phaseiv area maximum cost integer | phaseiv area maximum hops integer | phaseiv broadcast
    routing timer integer | phaseiv buffer size integer | phaseiv maximum address integer | phaseiv
    maximum area integer | phaseiv maximum cost integer | phaseiv maximum hops integer |
    phaseiv maximum visits integer | probe rate integer | protocols | routing mode integrated or
    segregated | redirect holding time integer | segment buffer size integer | send source quench
    boolean | source quench interval boolean | summary addresses set of summary-address | time
    to live integer }

show [node node-id] routing [all [attributes] | all characteristics | all counters | all status ]
```

21.2.1 Arguments

destination *ip-address*

Destination to which an ICMP Echo Request message is to be sent. This argument is mandatory.

protocols *protocol-set*

Protocols supported by this router. The value of this argument is a set containing either or both of the values IP or ISO 8473. This argument determines the value of the `protocols` characteristic. The default value of this argument depends on the value of the `type` argument.

size *integer*

Size, in bytes, of the data part of the ICMP Echo Request message. The default is 64 bytes.

timeout *integer*

Time, in seconds, for which the Routing module will wait for an ICMP Echo Reply message. The default is 5 seconds.

Routing Module

21.2 routing

type routing-type

Routing type for this node. This argument determines the value of the type characteristic attribute. For information on the available routing types, see the Characteristic Attributes section.

endnode The node is an end system.

L1router The node is a level 1 router.

L2router The node is a level 2 router.

21.2.2 Characteristic Attributes

area authentication type

Support: L1,IP

Default: None

Value: None or simple

Type of authentication to be used for level 1 LSPs, PSNPs, and CSNPs.

area receive passwords

Support: L1,IP

Default: No passwords

Value: Set of hex-string

Set of passwords that are valid in level 1 LSPs, PSNPs, and CSNPs when simple authentication is in use. You cannot use the show command to display the value of this attribute.

area send password

Support: L1,IP

Default: No password

Value: Hex-string

Password to be sent in level 1 LSPs, PSNPs, and CSNPs when simple authentication is in use. You cannot use the show command to display the value of this attribute.

autonomous system number

Support: IP

Default: 0

Value: 0–65535

Autonomous system number of the local system. This characteristic is supported only if the value of the routing protocols supported characteristic includes EGP. You can modify this characteristic only when the status attribute routing state is off.

dna address format

Support: End

Default: True

Value: True or false

If true, specifies that NSAP addresses are DNA structured, and that NSAP address autoconfiguring is possible. If false, specifies that NSAP addresses for this node are constructed from the characteristic manual network entity titles and the selectors supplied by the Transport Protocol module (NSP and/or OSI transport).

The DNA address format attribute controls only the interpretation of address structuring and no longer controls autoconfiguration. To control autoconfiguration, you need to use the manual network entity titles attribute by manually adding or removing NETs.

domain authentication type

Support: L2,IP

Default: None

Value: None or simple

Type of authentication to be used for level 2 LSPs, PSNPs, and CSNPs.

domain receive passwords

Support: L2,IP

Default: No passwords

Value: Set of hex-string

Set of passwords that are valid in level 2 LSPs, PSNPs, and CSNPs when simple authentication is in use. You cannot use the show command to display the value of this attribute.

domain send password

Support: L2,IP

Default: No password

Value: Hex-string

Password to be sent in level 2 LSPs, PSNPs, and CSNPs when simple authentication is in use. You cannot use the show command to display the value of this attribute.

generate checksums

Support: All

Default: False

Value: True or false

If true, specifies that checksums are generated for data, error report, and ES-IS PDUs initiated by this node. If false, these checksums are not generated. It is strongly recommended that, for performance reasons, you use the default value (indicating no checksum generation).

ip reassembly time

Support: IP

Default: 10

Value: 1–255

Maximum time, in seconds, for which IP fragments are held while awaiting reassembly.

lifetime

Support: All

Default: 63

Value: 2–255

Value to be placed in the “lifetime” field of originating data packets. This value should be greater than the maximum number of hops in any path in the network, plus the maximum packet lifetime in half-seconds.

Routing Module

21.2 routing

manual area addresses

Support: L1,L2

Default: No area addresses

Value: Set of area addresses

Area addresses to be used for this node. An area address cannot be a Phase IV address or the address DefaultArea.

If the characteristic manual L1 algorithm has the value routing vector, this set must be empty, and the characteristic phaseiv address must not be 0.0. If the characteristic phaseiv address is 0.0, there must be at least one area address.

manual L1 algorithm

Support: L1

Default: Routing vector

Value: See description

Type of routing algorithm to be used within the area. You can modify this characteristic only when the entity is disabled.

link state The DECnet Phase V link-state algorithm is used.

routing vector The Phase IV routing-vector algorithm is used.

manual L2 algorithm

Support: L2

Default: Routing vector

Value: See description

Type of routing algorithm to be used at level 2. You can modify this characteristic only when the entity is disabled.

link state The DECnet Phase V link-state algorithm is used.

routing vector The Phase IV routing-vector algorithm is used.

manual network entity titles

Support: End

Default: No NETs

Value: Set of NETs

Network entity titles (NETs) to be used for this node. If the characteristic dna address format is set to false, there must be at least one NET.

maximum buffers

Default: 100

Value: 1–500

Specifies the number of buffers preallocated for forwarding purposes. This characteristic specifies only the number of preallocated buffers; more buffers may be allocated if adequate system resources are available. You can only increase the characteristic value.

maximum path splits

Support: L1,L2

Default: 2

Value: 1–32

Maximum number of equal cost paths to split traffic between. You can modify this characteristic only when the entity is disabled.

minimum lsp transmission interval

Support: L1,L2

Specifies the minimum interval (in seconds) between transmissions of an LSP from a particular source. When changed the timer must be reset.

phaseiv address

Support: All

Default: 0.0

Value: Phase IV address

Specifies a Phase IV compatible address for communication with other Phase IV nodes. The default address, 0.0, indicates that no Phase IV compatible address is provided for the node. You can modify this characteristic only when the entity is disabled.

phaseiv area maximum cost

Support: L2

Default: 1022

Value: 1–1022

Maximum cost of a path to a reachable Phase IV area. This characteristic is only used by the Phase IV routing algorithm (that is, the routing-vector algorithm).

phaseiv area maximum hops

Support: L2

Default: 30

Value: 1–30

Maximum number of hops in a path to a reachable Phase IV area. This characteristic is only used by the Phase IV routing algorithm (that is, the routing-vector algorithm).

phaseiv broadcast routing timer

Support: L1,L2

Default: 10

Value: 1–65535

Maximum interval, in seconds, between broadcast routing messages on broadcast circuits. This characteristic is only used by the Phase IV routing algorithm (that is, the routing-vector algorithm).

phaseiv buffer size

Support: All

Default: 576

Value: 1–65535

Size, in octets, of buffers used for routing to adjacent Phase IV nodes. This value is actually six octets greater than the maximum buffer size, and does not include the headers for the Routing and Data Link layers.

phaseiv maximum address

Support: L1,L2

Default: 1023

Value: 1–1023

Maximum node number within the Phase IV area. This characteristic is only used by the Phase IV routing algorithm (that is, the routing-vector algorithm).

Routing Module

21.2 routing

phaseiv maximum area

Support: L2

Default: 63

Value: 1–63

Maximum Phase IV area number. This characteristic is only used by the Phase IV routing algorithm (that is, the routing-vector algorithm).

phaseiv maximum cost

Support: L1,L2

Default: 1022

Value: 1–1022

Maximum cost of a path to a reachable node within the Phase IV area. This characteristic is only used by the Phase IV routing algorithm (that is, the routing-vector algorithm).

phaseiv maximum hops

Support: L1,L2

Default: 30

Value: 1–30

Maximum number of hops in a path to a reachable node within the Phase IV area. This characteristic is only used by the Phase IV routing algorithm (that is, the routing-vector algorithm).

phaseiv maximum visits

Support: All

Default: 63

Value: 1–63

Maximum number of visits a packet can make to this node before Routing assumes that the packet is looping. This characteristic is only used by the Phase IV routing algorithm (that is, the routing-vector algorithm).

phaseiv prefix

Support: All

Default: Hex 49

Value: Address prefix

Prefix for Phase IV addresses. If the characteristic phaseiv address is not 0.0, a DECnet-Plus area address is formed by adding the area portion of the Phase IV address to this prefix. You can modify this characteristic only when the entity is disabled.

probe rate

Support: End

Default: 20

Value for Tru64 UNIX: 1–65535

Default: 1000

Value for OpenVMS: 1–65535

Number of packets after which a probe is sent. This characteristic is used only on multilink end systems, on circuits without cache entries for the destination.

protocols

Support: IP

Default: **Value:** IP or ISO 8473

The protocol stacks that are enabled on this system. These can be either or both of the above values. The value of this characteristic derives from an argument to the `create` command. You cannot modify this characteristic.

redirect holding time

Support: L1,L2

Default: 600 **Value:** 1–65535

Holding time, in seconds, to be specified in Redirect PDUs generated by this node.

rip receive metric class

Support: L2,IP

Default: External **Value:** External or internal

The class to be associated with routes received through RIP. This value may be overridden by a `routing receive route` entity. This characteristic is supported only if the `routing protocols supported` characteristic includes the RIP routing protocol.

rip send local metric

Support: L2,IP

Default: 1 **Value:** 0–16

The metric value used by RIP when announcing routes derived from local information. This value is used unless it is overridden by a `routing send route` entity. This characteristic is supported only if the `routing protocols supported` characteristic includes the RIP routing protocol.

rip send metric classes

Support: L2,IP

Default: Internal **Value:** Set of external, internal

Routes received through routing protocols other than RIP with metric classes in this set are candidates for announcement in RIP messages (subject to the route propagation policy in force). Routes with metric classes not in this set will not be announced.

Each value in this set may be overridden separately by a more specific propagation policy specified by a `routing send route` or `routing send route source` entity. This characteristic is supported only if the `routing protocols supported` characteristic includes the RIP routing protocol.

rip send replacement metric

Support: L2,IP

Default: 1 **Value:** 0–16

The metric value used by RIP when announcing routes derived through other routing protocols. This value is used unless it is overridden by a `routing send route` entity. This characteristic is supported only if the `routing protocols supported` characteristic includes the RIP routing protocol.

Routing Module

21.2 routing

route propagation

Support: L2,IP

Default: No route propagation

Value: Set of protocol pairs (see below)

The default route propagation to be performed. The set may include the following protocol pairs:

EGP to IS-IS	IS-IS to RIP
EGP to RIP	RIP to EGP
IS-IS to EGP	

If a particular value is not present in the set, routes are not propagated between those two protocols in that direction. This characteristic is supported only if the routing protocols supported characteristic includes either of the EGP or RIP routing protocols.

routing mode

Support: End

Default: Integrated propagation

Value: Segregated or Integrated

Determines the behavior of the forwarding algorithm. When the routing mode is set to Segregated, data being transmitted to Phase IV destination addresses is sent in Phase IV format packets, to the adjacent Phase IV router, if available. In Integrated mode, data is sent to Phase V (OSI) router adjacencies in CLNP packets, if possible.

This characteristic can only be set when routing is disabled. For example, to switch to segregated mode from the default:

```
ncl> disable routing
ncl> set routing routing mode = segregated
ncl> enable routing
ncl> enable routing circuit *
```

routing protocols supported

Support: L2,IP

The set of routing protocols supported by this implementation. You cannot modify this characteristic.

EGP
IS-IS
RIP

segment buffer size

Support: All

Default: 570

Value: 0–65535

Maximum segment size, in octets, to be used by the Transport layer. A value of zero means that the segment size is unlimited.

send source quench

Support: L1,L2,IP

Default: False **Value:** True or false

Specifies whether an ICMP source quench packet is sent when an IP packet is discarded because of congestion. If `false`, ICMP source quench packets are never sent.

source quench interval

Support: L1,L2,IP

Default: 100 **Value:** 1–65535

Minimum time, in milliseconds, between transmission of successive ICMP source quench packets.

summary addresses

Support: L2,IP

Default: No addresses **Value:** Set of summary addresses

Summary address information to be included in level 2 link state packets sent by this node.

time to live

Support: IP

Default: 35 **Value:** 1–255

Specifies the value to be placed in the time to live field of originating IP packets. This value should be greater than the maximum number of hops in any path on the network.

type

Support: All

Default: No default **Value:** See description

Routing type of this node. You cannot modify this characteristic.

endnode The node is an end node.

L1router The node is a level 1 router.

L2router The node is a level 2 router.

version

Default: Current version number

Version number of the DNA Network Routing layer architecture specification to which this implementation conforms. You cannot modify this characteristic.

21.2.3 Counter Attributes

address unreachable pdus discarded

Support: All

Number of data PDUs that have been discarded because the destination was unreachable.

Routing Module

21.2 routing

aged ip packets discarded

Support: IP

Number of IP packets that have been discarded because their lifetime has expired.

aged pdus discarded

Support: L1,L2

Number of data PDUs that have been discarded because their lifetime has expired.

attempts to exceed maximum sequence number

Support: L1,L2

Number of times an attempt was made to increase the sequence number of a link state packet beyond the maximum allowed.

corrupted lsps detected

Support: L1,L2

Number of times the corrupted lsp detected event has been generated.

creation time

Support: All

Time this entity was created.

error reports generated

Support: All

Number of error report PDUs (or Phase IV data packets with RTS set) that have been generated.

icmp address mask reply messages received

Support: IP

Number of ICMP Address Mask Reply messages received.

icmp address mask reply messages sent

Support: IP

Number of ICMP Address Mask Reply messages sent.

icmp address mask request messages received

Support: IP

Number of ICMP Address Mask Request messages received.

icmp address mask request messages sent

Support: IP

Number of ICMP Address Mask Request messages sent.

icmp destination unreachable messages received

Support: IP

Number of ICMP Destination Unreachable messages received.

icmp destination unreachable messages sent

Support: IP

Number of ICMP Destination Unreachable messages sent.

icmp echo reply messages received

Support: IP

Number of ICMP Echo Reply messages received.

icmp echo reply messages sent

Support: IP

Number of ICMP Echo Reply messages sent.

icmp echo request messages received

Support: IP

Number of ICMP Echo Request messages received.

icmp echo request messages sent

Support: IP

Number of ICMP Echo Request messages sent.

icmp message send errors

Support: IP

Number of ICMP messages that could not be sent because of problems in the ICMP layer. Note that this value does not include errors that occur outside the ICMP layer, such as forwarding errors.

icmp messages received

Support: IP

Number of ICMP messages received. This value includes messages counted by the icmp received message errors counter.

icmp messages sent

Support: IP

Number of ICMP messages of all types that the node has attempted to send. Note that this figure includes the value of the icmp message send errors counter.

icmp parameter problem messages received

Support: IP

Number of ICMP Parameter Problem messages received.

Routing Module

21.2 routing

icmp parameter problem messages sent

Support: IP

Number of ICMP Parameter Problem messages sent.

icmp received message errors

Support: IP

Number of ICMP messages received with any type of error.

icmp redirect messages received

Support: IP

Number of ICMP Redirect messages received.

icmp redirect messages sent

Support: IP

Number of ICMP Redirect messages sent.

icmp source quench messages received

Support: IP

Number of ICMP Source Quench messages received.

icmp source quench messages sent

Support: IP

Number of ICMP Source Quench messages sent.

icmp time exceeded messages received

Support: IP

Number of ICMP Time Exceeded messages received.

icmp time exceeded messages sent

Support: IP

Number of ICMP Time Exceeded messages sent.

icmp timestamp reply messages received

Support: IP

Number of ICMP Timestamp Reply messages received.

icmp timestamp reply messages sent

Support: IP

Number of ICMP Timestamp Reply messages sent.

icmp timestamp request messages received

Support: IP

Number of ICMP Timestamp Request messages received.

icmp timestamp request messages sent

Support: IP

Number of ICMP Timestamp Request messages sent.

icmp unknown message types received

Support: IP

Number of ICMP messages received with an unknown message type.

ip address unreachable packets discarded

Support: IP

Number of IP packets discarded because their destination was unreachable.

ip destination address error packets discarded

Support: IP

Number of IP packets discarded because of an invalid destination address or the address of an unsupported class.

ip packet format errors

Support: IP

Number of IP packets discarded because of a format error in the IP header.

ip packets discarded

Support: IP

Number of IP packets discarded for either of the following reasons:

- Error in the IP header, such as bad checksum or version number mismatch. Note, however, that format errors and time to live expired are excluded.
- Packet received through data link broadcast when forwarding is not allowed.

ip protocol unreachable packets discarded

Support: IP

Number of IP packets received for the local system and discarded because there was no port with the protocol type specified in the IP datagram PROTO field.

ip source address error packets discarded

Support: IP

Number of IP packets discarded because of an invalid source address or the address of an unsupported class.

lsp L1 database overloads

Support: L1,L2

Number of times the lsp level 1 database overload event has been generated.

Routing Module

21.2 routing

lsp L2 database overloads

Support: L2

Number of times the lsp level 2 database overload event has been generated.

manual addresses dropped from area

Support: L1,L2

Number of times an address in the manual area addresses set is ignored when computing an area address. (Each address that is ignored is counted separately.)

own lsp purges

Support: L1,L2

Number of times the own lsp purged event has been generated.

pdu format errors

Support: All

Number of data PDUs that have been discarded because of format errors.

phaseiv translation failures

Support: All

Number of times the phaseiv translation failures event has been generated.

sequence number skips

Support: L1,L2

Number of times the sequence number skipped event has been generated.

unsupported options

Support: All

Number of data PDUs that have been discarded because they specified unsupported options in their header.

21.2.4 Preset Attributes

Preset attributes are similar to characteristics in that their values control the way in which the Routing module operates. However, unlike characteristics, you cannot alter preset attribute values using the set command.

broadcast lsp transmission interval

Support: L1,L2

Default: 33

Value: 1–65535

Interval, in milliseconds, between the transmission of link state packets (LSPs) on a broadcast circuit.

complete snp interval

Support: L1,L2

Default: 10

Value: 1–600

Interval, in seconds, between generation of complete sequence number packets (CSNPs) by a designated router on a broadcast circuit.

default eshello timer

Support: All

Default: 600

Value: 1–65535

Value to be used for the current suggested Hello timer, in the absence of any suggested value from the intermediate system (IS).

On routers, this is the value to be suggested when the router is not required to poll the ES configuration. In routers, this value is suggested by the Suggested ES Configuration Timer option in IS Hellos.

dr isishello timer

Support: L1,L2

Default: 1

Value: 1–65535

Interval, in seconds, between the generation of IS-IS Hello PDUs by the designated router.

es cache holding time

Support: End

Default: 600

Value: 1–65535

Holding time, in seconds, for an entry in the node's end-node cache database.

es cache width

Support: End

Default: 3

Value for Tru64 UNIX: 1–4294967295

Default: 3

Value for OpenVMS: 1–65535

Maximum number of LAN address entries in the node's end-node cache database on a broadcast circuit.

holding multiplier

Support: All

Default: 3

Value: 2–63

Value by which to multiply the Hello timer to obtain the holding timer value for ES and IS Hellos and for point-to-point, router-to-router Hellos.

inactive selector

Support: All

Default: 33

Value: 2-255

This is the selector value identifying the port to which incoming Inactive Subset PDUs are to be sent.

initialization timer

Support: All

Default: 6

Value: 1–63

Delay, in seconds, between initialization of a data link and sending a DECnet-Plus message on a DDCMP circuit.

Routing Module

21.2 routing

isis format

Support: L1,L2

Default: 0 (ISO)

Value: (ISO) or 1 (DNA Private)

This attribute controls the protocol identification to be used for "DNA Private" PDUs. On broadcast circuits, this characteristic also controls the SAP on which they are transmitted.

isis holding multiplier

Support: L1,L2

Default: 10

Value: 2–63

Value by which to multiply the IS-IS Hello timer to obtain the value of the holding timer for LAN level 1 and level 2 router-to-router Hellos.

maximum age

Support: L1,L2

Default: 1200

Value: 1–65535

Number of seconds before an LSP is considered to be expired.

maximum lsp generation interval

Support: L1,L2

Default: 900

Value: 60–900

Maximum interval, in seconds, between link state packets (LSPs) generated by this node.

minimum lsp generation interval

Support: L1,L2

Default: 30

Value: 1–65535

Minimum time, in seconds, between generation of LSPs by this node.

minimum lsp transmission interval

Support: L1,L2

Default: 5

Value: 5–30

Minimum interval, in seconds, between retransmissions of an LSP.

multicircuit eshello timer

Support: End

Default: 10

Value: 1–65535

Value to be used for the current suggested Hello timer on a multicircuit end node with more than one circuit enabled, in the absence of any suggested values from the IS.

originating L1 lsp buffer size

Support: L1,L2

Default: 1492

Value: 128–1492

Maximum size of level 1 LSPs and SNPs originated at this node.

originating L2 lsp buffer size

Support: L2

Default: 1492

Value: 128–1492

Maximum size of level 2 LSPs and SNPs originated at this node.

partial snp interval

Support: L1,L2

Default: 2

Value: 1–65535

Minimum interval, in seconds, between sending partial SNPs.

poll eshello rate

Support: All

Default: 50

Value: 1–65535

Interval, in seconds, between ES Hellos when a router requires to poll the ES configuration.

queue threshold

Support: L1,L2

Default: 1

Value: 1–63

Average queue length at a router, above which the “congestion experienced” bit will be set in a forwarded data PDU.

waiting time

Support: L1,L2

Default: 60

Value: 1–65535

Delay, in seconds, between routing databases being in the waiting state and entering the on state.

zero age lifetime

Support: L1,L2

Default: 60

Value: 1–65535

Time, in seconds, for which the purge header of an expired LSP is retained.

21.2.5 Status Attributes

area addresses

Support: All

A set of area addresses. If the node is an end node, these are the area address portions of the NETs of all adjacent routers. If the node is a level 1 or level 2 router, this set is the union of the sets of manual area addresses reported in all level 1 LSPs received by this router.

egp port

Support: IP

Name of the routing port entity used for sending and receiving EGP messages. This attribute is set when a routing egp group entity is enabled.

Routing Module

21.2 routing

icmp port

Support: IP

Name of the routing port entity used for sending and receiving ICMP messages. This attribute is set when the routing module is enabled and the protocols characteristic includes the value IP.

L1 state

Support: L1,L2

State of the level 1 database.

off	Routing is disabled.
on	Routing is enabled and operating correctly.
waiting	Routing has received routing information that it cannot store and is waiting for the overload to be removed.

L2 state

Support: L2

State of the level 2 database.

off	Routing is disabled.
on	Routing is enabled and operating correctly.
waiting	Routing has received routing information that it cannot store and is waiting for the overload to be removed.

nearest L2 router adjacencies

Support: L1,L2

Names of adjacencies to be used for forwarding to the nearest level 2 router. If the node is a level 2 router adjacent to other areas, or if it is a level 1 router in an area with no attached level 2 routers, this set is empty.

rip port

Support: IP

Name of the udp port entity used by the routing module for sending and receiving RIP messages. This attribute is set when a routing circuit entity is enabled with its rip state characteristic set to any value other than off.

state

Support: All

State of the routing entity.

off	The entity is disabled.
on	The entity is enabled.

uid

Entity's unique identifier, which is generated when the entity is created.

21.2.6 Event Messages

address unreachable pdu discard

Support: All

Generated when a data PDU is discarded because the destination address is unreachable.

Arguments:

discard reason	Reason why the PDU was discarded.
destination address unknown	The destination address is unknown.
destination address unreachable	The destination address is currently unreachable.
duplicate option	An optional PDU field occurs twice.
header syntax error	There is a format error in the PDU header.
incomplete pdu received	The received data did not contain a complete PDU.
incorrect checksum	The checksum is incorrect.
lifetime expired during reassembly	The PDU's lifetime expired while it was being reassembled.
lifetime expired while data unit in transit	The PDU's lifetime expired while it was in transit.
pdu discarded due to congestion	No buffers were available to forward the packet.
protocol procedure error	Unable to translate a DECnet Phase V format PDU into a Phase IV format PDU.
reason not specified	No further information available.
reassembly interference	Insufficient memory available to reassemble a PDU.
segmentation required, but not permitted	The PDU requires fragmentation, but the originator did not permit this.
unsupported option not specified	The PDU contained an unrecognized and unsupported PDU option.
unsupported protocol version	The PDU version is not supported.
unsupported recording of route option	The sender requested an unsupported form of route recording.
unsupported source routing option	The sender requested an unsupported form of source routing.
forwarding address	Destination NSAP address.

Routing Module

21.2 routing

phaseiv forwarding address	Phase IV destination address of the Phase IV data packet.
phaseiv source address	Phase IV source address of the Phase IV data packet.
receiving adjacency	Name of the adjacency on which the PDU was received. For an end node, only the circuit may be specified.
source address	Source NSAP address of the data NPDU.

aged ip packet discard

Support: IP

Generated when an IP packet is discarded because the interval specified in its time to live field has expired.

aged pdu discard

Support: L1,L2

Generated when a data PDU is discarded because its lifetime has expired.

Arguments:

discard reason Reason why the PDU was discarded: See possible reasons described under the discard reason argument of the address unreachable pdu discard event. (Not all of these argument values can be generated by this event.)

phaseiv pdu header Phase IV header of the Phase IV packet causing this event.

pdu header Contents of the header of the data PDU that was discarded.

attempt to exceed maximum sequence number

Support: L1,L2

Generated when an attempt is made to increase the sequence number of a link state packet beyond the maximum allowed sequence number.

corrupted lsp detected

Support: L1,L2

Generated when a corrupted link state packet is detected in memory.

egp message discard

Support: All

Generated when EGP message is discarded.

ip address unreachable packet discard

Support: IP

Generated when an IP packet is discarded because its destination is unreachable.

Arguments:

forwarding IP address IP address on which the forwarding decision for the IP packet was taken. This is usually the destination IP address.

icmp discard reason	Value of the code field of the corresponding ICMP destination unreachable message. Host unreachable Network unreachable Source route failed
LAN address	Data link address of the broadcast circuit that is the previous hop for the packet. This argument is present only if the receiving entity argument identifies a broadcast circuit entity.
receiving entity	Local name of the circuit entity corresponding to the previous hop for the packet.
source ip address	Source IP address of the IP packet.

ip destination address packet error discard

Support: IP

Generated when an IP packet is discarded because the destination IP address is invalid (that is, it has an invalid format, or it refers to an unsupported network class).

Arguments:

destination ip address	Destination IP address in the IP packet.
LAN address	Data link address of the broadcast circuit that is the previous hop for the packet. This argument is present only if the receiving entity argument identifies a broadcast circuit entity.
receiving entity	Local name of the circuit entity corresponding to the previous hop for the packet.
source ip address	Source IP address of the IP packet.

ip packet discard

Support: IP

Generated when an IP packet is discarded because of version number mismatch or bad checksum.

Arguments:

ip discard reason	Reason why the IP packet was discarded. See the ip discard reason argument of the IP Packet Format Error event.
ip header	IP header of the PDU that caused the event.
receiving entity	Local name of the circuit entity corresponding to the previous hop for the packet.

ip packet format error

Support: IP

Generated when an IP packet is discarded because it contains a format error.

Arguments:

ip discard reason	Reason why the IP packet was discarded: duplicate option header syntax error
--------------------------	--

Routing Module

21.2 routing

	incomplete packet received
	incorrect checksum
	incorrect header length
	incorrect total length
	option error
	protocol procedure error
	reason not specified
	received via broadcast
	unsupported option not specified
	unsupported protocol version
	unsupported security option
ip header	IP header of the PDU that caused the event.
LAN address	Data link address of the broadcast circuit that is the previous hop for the packet. This argument is present only if the receiving entity argument identifies a broadcast circuit entity.
pointer	Offset of the octet in the IP header that caused the format error.
receiving entity	Local name of the circuit entity corresponding to the previous hop for the packet.

ip protocol unreachable packet discard

Support: IP

Generated when an IP packet is discarded because there was no port on the local system for the protocol type specified in the IP header.

Arguments:

destination protocol	Value of the protocol field in the IP packet.
icmp discard reason	Value of the code field of the corresponding ICMP destination unreachable message. Port Unreachable Protocol Unreachable
LAN address	Data link address of the broadcast circuit that is the previous hop for the packet. This argument is present only if the Receiving Entity argument identifies a broadcast circuit entity.
receiving entity	Local name of the circuit entity corresponding to the previous hop for the packet.
source ip address	Source IP address of the IP packet.

ip source address packet error discard

Support: IP

Generated when an IP packet is discarded because the source IP address is invalid (that is, it has an invalid format, or it refers to an unsupported network class).

Arguments:

destination ip address	Destination IP address in the IP packet.
-------------------------------	--

LAN address	Data link address of the broadcast circuit that is the previous hop for the packet. This argument is present only if the Receiving Entity argument identifies a broadcast circuit entity.
receiving entity	Local name of the circuit entity corresponding to the previous hop for the packet.
source ip address	Source IP address of the IP packet.

Isp L1 database overload

Support: L1,L2

Generated when the status attribute L1 state changes from on to waiting, or vice versa.

Arguments:

source id	Source ID of the link state packet.
state change	Current state.
recovered	Router operating normally.
waiting	Router has failed to store a link state packet, and is operating in restricted mode.

Isp L2 database overload

Support: L2

Generated when the status attribute L2 state changes from on to waiting, or vice versa.

Arguments:

source id	Source ID of the link state packet.
state change	Current state.
recovered	Router is operating normally.
waiting	Router has failed to store a link state packet, and is operating in restricted mode.

manual address dropped from area

Support: L1,L2

Generated when one of the addresses in the manual area addresses set is ignored when computing an area address. The event is generated once for each address that is dropped.

Argument:

area address	Area address that caused the maximum number of area addresses to be exceeded.
---------------------	---

own lsp purged

Support: L1,L2

Generated when a zero-aged copy of a node's own link state packet is received from some other node. This represents an invalid attempt to purge the local node's link state packet.

Routing Module

21.2 routing

pdu format error

Support: All

Generated when a data PDU is discarded because of a format error.

Arguments:

discard reason	Reason why the PDU was in error. See possible reasons described under the <code>discard reason</code> argument of the <code>address unreachable pdu discard</code> event. (Not all of these argument values are generated by this event.)
pdu header	Contents of the header of the data PDU that was discarded.
phaseiv pdu header	Phase IV header of the Phase IV packet causing this event.
receiving adjacency	Name of the adjacency on which the PDU was received. For an end node on a LAN, only the circuit may be specified for Tru64 UNIX.

phaseiv translation failure

Support: All

Generated when a PDU is discarded because it cannot be translated to Phase IV format.

Arguments:

pdu header	Data PDU header causing the event.
receiving adjacency	Local entity name of the adjacency upon which the PDU was received. For an end node on a LAN, only the circuit may be specified for Tru64 UNIX.

sequence number skipped

Support: L1,L2

Generated when the sequence number of a link state packet is incremented by more than 1. This usually occurs when a router is reenabled while its previous link state packets are still stored in the network.

unsupported option

Generated when a data packet is received that contains an unsupported option in its header.

Arguments:

discard reason	Reason why the event was generated. See possible reasons described under the <code>discard reason</code> argument of the <code>address unreachable pdu discard</code> event. (Not all of these argument values are generated by this event.)
pdu header	Contents of the header of the data PDU that caused the event.
receiving adjacency	Name of the adjacency on which the PDU was received. For an end node on a LAN, only the circuit may be specified.

21.2.7 Exception Messages

For create:

already exists

A routing entity already exists.

invalid router type

The `type` argument specifies an invalid router type on the create command.

For delete:

wrong state

Routing module cannot be deleted when it is enabled.

has children

Cannot delete while subentities exist.

For ping:

ip not enabled

IP routing is not enabled on this system.

Routing Module

21.3 routing circuit

21.3 routing circuit

A routing circuit entity represents a data link to another node. The *circuit-name* refers the circuit managed by this command.

Syntax

add [node *node-id*] routing circuit *circuit-name* manual routers *set of ID802*

create [node *node-id*] routing circuit *circuit-name* type *circuit-type*

delete [node *node-id*] routing circuit *circuit-name*

disable [node *node-id*] routing circuit *circuit-name*

enable [node *node-id*] routing circuit *circuit-name*

remove [node *node-id*] routing circuit *circuit-name* manual routers *set of ID802*

set [node *node-id*] routing circuit *circuit-name* {data link entity *local-entity-name* | dna neighbor *boolean* | enable phaseiv address *boolean* | explicit receive verification *boolean* | hello timer *integer* | idle timer *integer* | inactive area address *set of area-address* | initial minimum timer *integer* | isis hello timer *integer* | L1 cost *integer* | L1 router priority *integer* | L2 cost *integer* | L2 router priority *integer* | manual data link sdu size *integer* | manual L2only mode *boolean* | manual routers *set of ID802* | maximum call attempts *integer* | maximum svc adjacencies *integer* | originating queue limit *integer* | recall timer *integer* | receive verifier *hex-string* | reserved adjacency *boolean* | reserve timer *integer* | template *template-id* | transmit verifier *hex-string* | x25 filters *set of simple-name* }

show [node *node-id*] routing circuit *circuit-name* [all [attributes] | all characteristics | all counters | all identifiers | all status]

21.3.1 Arguments

type *circuit-type*

Type of circuit applicable to create only. For information on the available circuit types, see the *type* characteristic attribute description in the Characteristic Attributes section.

21.3.2 Characteristic Attributes

alternative subnet addresses

Support: L1,L2,IP

Default: No addresses

Value: Set of subnet-address

A set of alternative IP addresses and subnet masks for this interface. You can modify this characteristic only when the entity is disabled.

arp holding time

Support: IP

Default: 600

Value: 30–65535

Number of seconds to hold on to a routing circuit ip address translation entity. This characteristic is supported only if the circuit's *type* characteristic is *csma-cd*.

arp response waiting time

Support: IP

Default: 3 **Value:** 1–10

Number of seconds to wait for an ARP response when an ARP request has been sent. This characteristic is supported only if the circuit's type characteristic is csma-cd.

authentication type

Support: L1,L2,IP

Default: None **Value:** None or simple

Type of authentication to be used for LAN L1 Hellos, LAN L2 Hellos, or PtPt Hellos on this circuit.

data link **entity**

Support: All

Default: No data link name **Value:** Local-entity-name

Name of the entity within the Data Link module to be created when a port is opened for that data link type. You can modify this characteristic only when the entity is disabled. This attribute is supported for all types of circuits; however, for X.25 circuits set the attribute to x25 access.

directed broadcast

Support: L1,IP

Default: On **Value:** Off or On

Specifies how an IP packet is to be forwarded on a broadcast link.

off Discard the packet silently.

on Broadcast the packet using data level link broa that either of the following conditions is true:

- The packet's subnet address matches the value of the subnet address characteristic.
- The packet's subnet address matches one of the values of the alternative subnet addresses characteristic.

This characteristic is supported only if the characteristic type is set to csma-cd.

dna neighbor

Support: L1,L2

Default: True **Value:** True or false

If true, specifies that the neighbor is expected to be DNA compliant, and so proprietary mechanisms are possible. If false, no router-to-router Hellos or link state packets (LSPs) will be sent over this circuit. This characteristic is supported only if the characteristic type is not x25 da. You can modify this characteristic only when the entity is disabled.

enable phaseiv address

Support: All

Default: True **Value:** True or false

Specifies whether the physical LAN address is to be set to the Phase IV style LAN address (that is, AA-00-04-00-xx-xx). The LAN address is set only if this

Routing Module

21.3 routing circuit

attribute is true and the value of the phaseiv address characteristic is not 0.0. If phaseiv address is not 0.0 and there are multiple adapters to the same LAN, only one circuit may have this attribute set to true. This characteristic is supported only if the characteristic type is set to csma-cd.

explicit receive verification

Support: All

Default: True

Value: True or false

Type of password verification performed at circuit initialization. If true, the received verifier is checked against the value of the characteristic receive verifier for this circuit, if any. If false, the received verifier is checked against the set of verifiers specified in the routing permitted neighbor entities. This attribute is supported only if the characteristic type is set to ddcmp, hdlc, x25 static incoming, x25 static outgoing, and x25 permanent.

hello timer

Support: L1,L2

Default: 10

Value: 1–32767

Interval, in seconds, between IS Hello messages.

idle timer

Support: All

Default: 30

Value: 1–65535

Number of seconds of idle time before a call is cleared. This attribute is supported only if the characteristic type is x25 da.

inactive area address

Support: All

Default: No area address

Value: Set of area addresses

Area address associated with the use of the inactive subnet of ISO 8473. Maximum area address that may be present is 1. This characteristic is supported only if the characteristic type is set to csma-cd.

initial minimum timer

Support: All

Default: 55

Value: 1–65535

Period, in seconds, for which an X.25 call remains connected after being established, irrespective of traffic. This should be set small enough that the call is cleared before the start of the next charging interval. This attribute is supported only if the characteristic type is x25 da.

isis hello timer

Support: L1,L2

Default: 3

Value: 1–32767

Interval, in seconds, between LAN level 1 and level 2 router-to-router Hello messages. This value is also used as the interval between IS Hello messages when polling the ES configuration.

L1 cost

Support: L1,L2

Default: 20

Value: 1–63

Cost of this circuit for level 1 traffic.

L1 router priority

Support: L1,L2

Default: 64

Value: 1–127

Priority for becoming LAN level 1 designated router. This attribute is supported only if the circuit's characteristic type is csma-cd.

L2 cost

Support: L2

Default: 20

Value: 1–63

Cost of this circuit for level 2 traffic.

L2 router priority

Support: L2

Default: 64

Value: 1–127

Priority for becoming LAN level 2 designated router. This attribute is supported only if the circuit's characteristic type is csma-cd.

manual data link sdu size

Support: All

Default: 1492

Value: 128–65535

Preferred maximum data link block size, in octets. You can modify this characteristic only when the entity is disabled. If the characteristic type is csma-cd, this characteristic is a read-only attribute whose value is fixed at 1492. If the characteristic type is fddi, this characteristic is a read-only attribute whose value is fixed at 4352.

manual data link sdu size for ip

Support: IP

Default: See description

Value: 128–65535

Preferred maximum DSDU size, in octets, for the transmission of IP packets. The DSDU size includes the size of the packet containing the IP header. On point-to-point HDLC links, the DSDU size also includes the 1-octet link encapsulation (that is, the maximum IP packet size is the value of this attribute minus 1). The default value depends on the circuit type, as follows:

CSMA-CD	1500
DDCMP	1500
HDLC	1500
X.25 (all types)	576

You can modify this characteristic only when the entity is disabled.

Routing Module

21.3 routing circuit

manual L2only mode

Support: L2

Default: False

Value: True or false

If true, specifies that this circuit is to be used only for level 2 traffic. If false, the circuit may be used for both level 1 and level 2 traffic. You can modify this characteristic only when the entity is disabled.

manual routers

Support: End

Default: No router IDs

Value: Set of LAN addresses

Manually entered IDs of routers. If this set is empty, the circuit will auto-configure the routers. This characteristic is supported only if the circuit's characteristic type is csma-cd. For Tru64 UNIX, a maximum of five routers can be in the set.

maximum arp retries

Support: IP

Default: 3

Value: 1–10

Maximum number of times an ARP request can be sent for the same IP address. This characteristic is supported only if the circuit's characteristic type is set to csma-cd.

maximum call attempts

Support: All

Default: 10

Value: 0–255

Maximum number of successive X.25 call failures before the circuit is regarded as being halted. A value of zero means that there is no limit to the number of retries.

This attribute is supported only if the characteristic type is set to x25 static outgoing. You can modify this characteristic only when the entity is disabled. Also, you can only increase the characteristic value.

maximum svc adjacencies

Support: All

Default: 1

Value: 1–65535

Number of routing circuit adjacency entities to reserve for switched virtual circuits (SVCs) on this circuit. This is effectively the maximum number of simultaneous calls possible on this circuit. This attribute is supported only if the characteristic type is x25 da.

originating queue limit

Support: L1,L2

Default: 50

Value: 1–255

Maximum number of data PDUs originated by this node that can be on this circuit's transmit queue. This should be set to the minimum number required to keep the data link from idling. You can modify this characteristic to a higher value when the entity is disabled; you can never modify it to a lower value.

recall timer

Support: All

Default: 60

Value: 0–65535

Interval, in seconds, that must elapse between a call failure and a recall. This attribute is supported only if the characteristic type is set to x25 static outgoing, x25 da, hdlc, or ddcmp.

receive passwords

Support: L1,L2,IP

Default: No passwords

Value: Set of hex-string

Set of passwords that are valid in received LAN L1 Hellos, LAN L2 Hellos, and PtPt Hellos when simple authentication is in use on this circuit. You cannot use the show command to display the value of this attribute.

receive verifier

Support: All

Default: No verifier

Value: Hex string, length 0–38

Value against which a neighbor node's received verifier is to be checked. If no verifier is specified, no verification is performed. This attribute is supported only if the characteristic type is ddcmp, hdlc, x25 static incoming, x25 static outgoing, or x25 permanent. You cannot display this characteristic.

reserve timer

Support: All

Default: 600

Value: 1–65535

Interval, in seconds, during which the SVC remains reserved for the previous DTE address after a call is cleared due to lack of traffic. This attribute is supported only if the characteristic type is x25 da.

reserved adjacency

Support: End

Default: False

Value: True or false

If true, specifies that one SVC must be reserved for connection to a router. If false, no SVC needs to be reserved for this purpose. This characteristic is supported only if the circuit's characteristic type is x25 da. You can modify this characteristic only when the entity is disabled.

rip generated default route

Support: L1,L2,IP

Default: False

Value: True or false

If true, this specifies that the default route is announced in RIP messages sent on this circuit, with the metric value specified in the RIP generated default route metric characteristic. If false, the default route is not generated.

Routing Module

21.3 routing circuit

rip generated default route metric

Support: L1,L2,IP

Default: 1

Value: 0–16

The metric to be used when announcing a generated default route through RIP on this circuit.

rip neighbors

Support: L2,IP

Default: No addresses

Value: Set of IP addresses

IP addresses of neighboring systems with which RIP will be exchanged on this circuit.

If the circuit is a point-to-point circuit, this set must contain a single IP address if the `rip state` characteristic is to be set to `send` and `receive`. Also, you must disable the entity before altering this characteristic.

If the `rip send type` characteristic is set to `broadcast`, only RIP messages from addresses specified in this set will be received; other messages will be silently discarded.

This characteristic is supported only if the routing protocols supported characteristic of the routing entity includes the RIP routing protocol.

rip poisoned reverse

Support: L2,IP

Default: True

Value: True or false

Specifies whether poisoned reverse routes are to be sent in RIP messages on this circuit. If `false`, poisoned reverse routes are not sent.

This characteristic is supported only if the routing protocols supported characteristic of the routing entity includes the RIP routing protocol.

rip receive default route

Support: L2,IP

Default: True

Value: True or false

Specifies whether the default route is accepted from RIP messages on this circuit. If `false`, the default route from RIP messages on this circuit is discarded.

This characteristic is supported only if the routing protocols supported characteristic of the routing entity includes the RIP routing protocol.

rip send type

Support: L2,IP

Default: Broadcast

Value: Broadcast or point-to-point

Specifies how RIP messages are sent on this circuit.

broadcast

RIP messages are sent by means of data link broadcast.

point-to-point

RIP messages are sent directly to each IP address specified in the `rip neighbors` characteristic.

This characteristic is supported only if the routing protocols supported characteristic of the routing entity includes the RIP routing protocol and if the circuit's type characteristic is csma-cd.

rip state

Support: L2,IP

Default: Off

Value: See description

Specifies how RIP messages are treated on this circuit.

off RIP messages cannot be sent or received on this circuit.

receive RIP messages can be received but not sent on this circuit.

send and receive RIP messages can be sent and received on this circuit.

This characteristic is supported only if the routing protocols supported characteristic of the routing entity includes the RIP routing protocol.

send password

Support: L1,L2,IP

Default: No password

Value: Hex-string

Password to be sent in LAN L1 Hellos, LAN L2 Hellos, and PtPt Hellos when simple authentication is used on this circuit. You cannot use the show command to display the value of this attribute.

subnet address

Support: IP

Default: 0.0.0.0

Value: Subnet address

IP address and subnet mask of this interface. You can modify this characteristic only when the entity is disabled.

template

Support: All

Default: No template name

Value: Template-id

Name of the template to be used when a port is opened for this data link type. If no template name is specified, no template is used. You can modify this characteristic only when the entity is disabled.

transmit verifier

Support: All

Default: No verifier

Value: Hex-string, length 0–38

Value to be transmitted for verifying the identity of this node. If no verifier is specified, no verifier is transmitted. This characteristic is supported only if the characteristic type is ddcmp, hdlc, x25 static outgoing, x25 static incoming, or x25 permanent. You cannot display this characteristic.

type

Support: All

Type of circuit. You cannot modify this characteristic. This characteristic is set by means of an argument to the create command.

Routing Module

21.3 routing circuit

csma-cd	The circuit is a broadcast circuit.
ddcmp	The circuit is a DDCMP circuit.
fddi	The circuit is an FDDI large packet circuit.
hdlc	The circuit is an HDLC circuit.
x25 da	The circuit is a dynamically allocated X.25 circuit.
x25 permanent	X.25 permanent virtual circuit.
x25 static incoming	Static incoming X.25 circuit.
x25 static outgoing	Static outgoing X.25 circuit.

x25 filters

Default: See description

Value: Set of simple names

Specifies the set of X.25 filters to be used when a port is opened to the X.25 module. Typically, there will be two sets: one to specify the selection on the Call User Data field for Phase V, and the other to specify the selection on the subaddress for Phase IV. This attribute is valid only if the characteristic type is `x25 static incoming` or `x25 da`.

21.3.3 Counter Attributes

authentication failures

Support: L1,L2,IP

Number of times a PDU has been received on this circuit with an Authentication Information field that is incompatible with the PDU type.

calls failed

Support: All

Number of unsuccessful call attempts on this circuit. This attribute is supported only if the characteristic type is `x25 da`.

calls placed

Support: All

Number of call attempts (successful and unsuccessful) on this circuit. This attribute is supported only if the characteristic type is `x25 da`.

changes in adjacency state

Support: All

Number of times the status attribute `state` of an adjacency belonging to this circuit changes from Up to Down (or Initializing), or the reverse.

changes in ip adjacency state

Support: IP

Number of times the status attribute `state` of an IP adjacency belonging to this circuit changes from Up to some other state, or the reverse.

changes in rip neighbor state

Support: L2,IP

Number of times the RIP state of IP adjacencies belonging to this circuit have changed. This attribute is supported only if the routing entity's characteristic routing protocols supported includes the routing protocol RIP.

circuit changes

Support: All

Number of times the status attribute state has changed from on to off, or vice versa.

congestion discards

Support: L1,L2

Number of data- and error-report NPDUs that have been discarded, before or after fragmentation, because of congestion. Any other discarding will already have been done by the forwarding process. This number includes all PDUs recognized by the receive process as data PDUs (Phase V data- and error-report PDUs and Phase IV data packets), even though they may subsequently be discarded for some reason.

control pdus received

Support: All

Number of control PDUs that have been received on this circuit. This number includes all Network layer PDUs, with the exception of DECnet-Plus data and error report PDUs and Phase IV data PDUs.

control pdus sent

Support: All

Number of control PDUs that have been sent on this circuit.

corrupted hello pdus received

Support: All

Number of times an ES-IS (end system to intermediate system) or IS-IS (intermediate system to intermediate system) Hello PDU has been received on this circuit that either cannot be parsed or contains an incorrect checksum.

corrupted lsps received

Support: L1,L2

Number of times a corrupted link state packet has been received on this circuit.

creation time

Support: All

Time this entity was created.

Routing Module

21.3 routing circuit

da adjacency changes

Support: All

Number of DA adjacency change events that have been generated.

data pdus forwarded

Support: L1,L2

Number of data- and error-report NPDU's that have been forwarded onto this circuit (either from another circuit or from a local port). This number includes all PDU's recognized by the receive process as data PDU's (Phase V data- and error-report PDU's and Phase IV data packets), even though they may subsequently be discarded for some reason.

data pdus fragmented

Support: All

Number of data NPDU's that have been fragmented on this circuit.

data pdus received

Support: All

Number of data- and error-report NPDU's that have been received on this circuit. This number includes all PDU's recognized by the receive process as data PDU's (DECnet-Plus data and error report PDU's and Phase IV data packets), even though they may subsequently be discarded for some reason.

data pdus transmitted

Support: All

Number of data- and error-report NPDU's, after fragmentation, that have been delivered to the port for transmission on this circuit. This number includes all PDU's recognized by the receive process as data PDU's (DECnet-Plus data- and error-report PDU's and Phase IV data packets), even though they may subsequently be discarded for some reason.

exceeded maximum svc adjacencies

Support: End,L2

Number of exceeded maximum svc adjacency events that have been generated. This counter is supported only if the circuit's type is set to x25 da; only for nodes that are end nodes; and if the system supports dual routing (both DECnet and IP routing).

id reachability changes

Support: All

Number of ID reachability change events that have been generated.

initialization failures

Support: All

Number of times that an attempt to initialize an adjacent node over this circuit has failed, either because of version skew or area mismatch.

ip fragmentation failure discards

Support: IP

Number of IP packets discarded because fragmentation was required to transmit them, but the IP header requested "do not fragment."

ip fragments created

Support: IP

Number of IP fragments created for transmission on this circuit.

ip packets forwarded

Support: IP

Number of IP packets forwarded on this circuit before fragmentation. These IP packets may be from another circuit or from a local port. Note that this value includes those IP packets counted in the ip send discards counter.

ip packets fragmented

Support: IP

Number of IP packets that have been fragmented on this circuit.

ip packets received

Support: IP

Number of IP packets received on this circuit. This value includes all types of IP packet (control, data, etc.), and those that may subsequently be discarded for any reason.

ip received discards

Support: IP

Number of IP packets that have been received and then discarded because of congestion.

ip send discards

Support: IP

Number of IP packets for transmission that have been discarded because of congestion.

irrecoverable svc failures

Support: All

Number of times that the number of re-call attempts on this circuit has become equal to the value of the characteristic maximum call attempts. This attribute is supported only if the characteristic type is set to x25 static outgoing.

LAN L1 designated router changes

Support: L1,L2

Number of times the local node has either elected itself or resigned as the LAN level 1 designated router on this circuit. This attribute is supported only if the circuit's characteristic type is set to csma-cd.

Routing Module

21.3 routing circuit

LAN L2 designated router changes

Support: L2

Number of times the local node has either elected itself or resigned as the LAN level 2 designated router on this circuit.

LAN phaseiv designated router changes

Support: L1,L2

Number of times the local node has either elected itself or resigned as the LAN Phase IV designated router on this circuit.

redirect discards

Support: End

Number of Redirect PDUs that have been discarded because of insufficient cache memory.

rejected adjacencies

Support: All

Number of times an attempt to create a new adjacency using this circuit has failed because of insufficient resources.

rejected ip adjacencies

Support: L2,IP

Number of times an attempt to automatically create a new IP adjacency to an IP router has failed because of lack of resources.

rip errors received

Support: L2,IP

Number of RIP messages received with any kind of received error on this circuit. This attribute is supported only if the routing entity's characteristic routing protocols supported includes the routing protocol RIP.

segmentation failure discards

Support: L1,L2

Number of data NPDU's that have been discarded because segmentation was required to send them on this circuit but was not permitted in the NPDU header.

verification reject events

Number of verification reject events that have been generated. This attribute is supported only if the characteristic type is set to ddcmp, hdlc, x25 static incoming, x25 static outgoing, or x25 permanent.

21.3.4 Identifier Attributes

name

Simple name assigned to the circuit when it is created.

21.3.5 Status Attributes

data link port

Support: All

Name of the data link port used for this circuit. Not supported on DA circuits.

data link sdu size

Support: All

Maximum size, in octets, of a Data Link SDU for this circuit. This includes the Network layer header, but excludes the Data Link layer header. The value of this status is the lesser of the value of the characteristic manual data link sdu size and any limit imposed by the Data Link layer.

LAN L1 id

Support: L1,L2

LAN ID allocated by the LAN level 1 designated router. This attribute is supported only if the circuit's characteristic type is csma-cd.

LAN L2 id

Support: L2

LAN ID allocated by the LAN level 2 designated router. This attribute is supported only if the circuit's characteristic type is csma-cd.

L1 designated router

Support: L1,L2

ID of the DECnet Phase V level 1 designated router on this circuit. This attribute is supported only if the circuit's characteristic type is csma-cd. If this node does not participate in the router election process, the value returned is 00-00-00-00-00-00.

L2 designated router

Support: L2

ID of the DECnet Phase V level 2 designated router on this circuit. This attribute is supported only if the circuit's characteristic type is csma-cd. If this node does not participate in the router election process, the value returned is 00-00-00-00-00-00.

phaseiv designated router

Support: L1,L2

ID of the Phase IV designated router on this circuit. This attribute is supported only if the circuit's characteristic type is csma-cd. If this node does not participate in the router election process, the value returned is 00-00-00-00-00-00.

point-to-point id

Support: L1,L2

ID allocated to the circuit during its initialization. This attribute is supported only if the circuit's characteristic type is hdlc, ddcmp, or x25 static.

Routing Module

21.3 routing circuit

state

State of the routing circuit entity.

Support:

All

off The circuit is disabled.

on The circuit is enabled.

uid

Entity's unique identifier, which is generated when the entity is created.

21.3.6 Event Messages

adjacency state change

Support: All

Generated when the status attribute state of a routing circuit adjacency entity belonging to the circuit changes from up to down, or vice versa. For the purposes of this event, the state up/dormant is considered to be the same as up, and the state initializing is considered to be the same as down. For end nodes, this event is generated for point-to-point links only.

Arguments:

adjacency name	The name of the adjacency to which the event refers.
adjacent node	Node IDs of the adjacent node.
new adjacency state	Current state of the adjacency.
	down Adjacency state is now down.
	up Adjacency state is now up.
reason	Reason why the adjacency state changed to down.
	address out of range The adjacency address is invalid.
	area mismatch The adjacent node's area address is incorrect.
	call rejected An X.25 call to the adjacent node failed.
	checksum error A PDU's checksum was invalid.
	circuit disabled The circuit has been disabled by network management.
	configuration fault The adjacency has been configured incorrectly.
	datalink failure Exceeded maximum call attempts; configuration fault.
	exceeded maximum call attempts The value of the characteristic maximum call attempts has been exceeded.
	holding timer expired No Hello traffic has been received during the period of the Hello timer.
	maximum broadcast end nodes exceeded There are more adjacent nodes than can be supported on a LAN.
	maximum broadcast routers exceeded There are more adjacent nodes than can be supported on a LAN.

neighbor node change	The address(es) in the hello has/have changed.
one way connectivity	The connectivity between two LAN routers appears to permit traffic in one direction only.
reserve timer expired	This may occur temporarily during a change of designated router. Repeated occurrences indicate a configuration or hardware error.
version skew	The adjacent node is the wrong version.
wrong node type	The adjacent routing node is of the wrong type.

authentication failure

Support: L1,L2,IP

Generated when a PDU is received that contains an Authentication Information field that is incompatible with the PDU type.

Arguments:

adjacent node	Node ID of the adjacent node.
authentication level	Authentication level of the PDU: area, circuit, domain.
pdu type	Type of the PDU.
	L1 LSP L2 PSNP
	L1 CSNP LAN L1 Hello
	L1 PSNP LAN L2 Hello
	L2 LSP PtPt Hello
	L2 CSNP

circuit change

Support: All

Generated when the status attribute state of the circuit changes from off to on, or vice versa.

Argument:

disable reason	The reason that the circuit status changed from on to off. If the disable occurred because of a management circuit disable action, the reason is a management action (1). If the disable occurs for any other reason, it is a protocol action (0).	
new circuit state	Current state of the circuit.	
	off	Circuit state is now off.
	on	Circuit state is now on.

corrupted hello pdus received

Support: All

Generated when an ES-IS (end system to intermediate system) or IS-IS (intermediate system to intermediate system) Hello PDU is received that either cannot be parsed or contains an incorrect checksum.

Routing Module

21.3 routing circuit

corrupted lsp received

Support: L1,L2

Generated when a corrupted link state packet is received.

Argument:

adjacent node Node IDs of adjacent nodes.

corrupted phaseiv routing packet received

Support: L1,L2

Generated when a corrupted Phase IV routing packet is received.

Argument:

phaseiv id Phase IV ID of the Phase IV routing message that caused the event to be generated.

da adjacency change

Support: All

Generated when the state of a DA adjacency on the circuit changes from up to down or from down to up. For these purposes, the states up and up/dormant are considered up and any other state is considered down. This attribute is supported only if the circuit type is x25 da.

Arguments:

adjacency name Name of the adjacency to which the event refers.

new adjacency state Current state of the adjacency.

down Adjacency state is now down.

up Adjacency state is now up.

reason Reason why the adjacency state changed to down.

exceeded maximum svc adjacencies

Support: End,L2 (DA circuits only)

Generated when there is no free adjacency on which to establish an SVC for a new destination.

id reachability change

Support: All

Generated when an ID is added to or removed from the endnodeID status of an adjacency on this circuit. For end nodes, this event is generated for point-to-point links only.

Arguments:

adjacency name Name of the adjacency to which the event refers.

adjacent node Node IDs of the adjacent node.

reason Reason why the adjacency state changed to down.

initialization failure

Support: All

Generated when an attempt to initialize with an adjacent node fails, either because of version skew or area mismatch.

Arguments:

adjacent node Node IDs of adjacent nodes.
reason Reason why the event was generated. See possible reasons described under the adjacency state change event.

ip adjacency state change

Support: IP

Generated when the status attribute state of a routing circuit ip adjacency entity belonging to this circuit changes from up (or up/dormant) to some other value, or the reverse.

Arguments:

neighbor IP address IP address of the neighbor.
new IP adjacency state New state of the IP adjacency.
up Either up or up/dormant
down Any other state
reason Reason for the state change.

ip fragmentation failure

Support: IP

Generated when an IP packet that requires fragmentation in order to be transmitted has an IP header that requests "do not fragment".

Arguments:

destination IP address Destination IP address of the IP packet.
source IP address Source IP address of the IP packet.

irrecoverable svc failure

Support: All

Generated when recall count becomes equal to maximum call attempts. This attribute is supported only if the circuit type is x25 static outgoing.

reason Reason why the adjacency state changed to down.

LAN L1 designated router change

Support: L1,L2

Generated when the local node either elects itself or resigns as the LAN level 1 designated router on this circuit.

Routing Module

21.3 routing circuit

Argument:

designated router change New state of the designated router.

elected Router state is now elected.

resigned Router state is now resigned.

LAN L2 designated router change

Support: L2

Generated when the local node either elects itself or resigns as the LAN level 2 designated router on this circuit.

Argument:

designated router change New state of the designated router.

elected Router state is now elected.

resigned Router state is now resigned.

LAN phaseiv designated router change

Support: L1,L2

Generated when the local node either elects itself or resigns as the LAN Phase IV designated router on this circuit.

Argument:

designated router change New state of the designated router.

elected Router state is now elected.

resigned Router state is now resigned.

redirect discard

Support: End

Generated when a Redirect packet is discarded because of insufficient cache space.

rejected adjacency

Support: All

Generated when an attempt to create a new adjacency fails because of insufficient resources.

Arguments:

adjacent node Node IDs of adjacent nodes.

reason Reason for the failure. See possible reasons described under the adjacency state change event.

rejected ip adjacency

Support: IP

Generated when an attempt to automatically create an IP adjacency to an IP router fails because of lack of resources.

Arguments:

neighbor IP address IP address of the neighbor.
reason Reason why the attempt failed. See the description of the Reason argument of the IP Adjacency State Change event.

rip error received

Support: L2,IP

Generated when any kind of error is detected in a received RIP packet. This event is generated only if the routing entity's characteristic routing protocols supported includes the value RIP.

Arguments:

neighbor IP address IP address of the neighbor.
RIP reason Type of error that was detected in the RIP packet.
format error
version skew
RIP version RIP version number of the RIP packet. This argument is present only if the RIP reason is version skew.

verification reject

Generated when a verification attempt fails.

21.3.7 Exception Messages

For create:

invalid circuit type

The specified circuit type is invalid.

Argument:

reason Reason why the circuit type is invalid.
1 A dynamically allocated X.25 circuit type is not permitted for a level 1 router.

maximum circuits exceeded

An attempt has been made to create more than the maximum number of circuits allowed.

For enable:

enable mac address failed

The attempt to enable the MAC address failed on a broadcast circuit with a nonzero Phase IV address.

no such data link

Data link specified for this circuit does not exist.

open port failed

A port cannot be opened on the specified data link.

open rip port failed

The UDP port for RIP (port 520) could not be created.

Routing Module

21.3 routing circuit

routing not enabled

The Routing module is not in the on state.

subnet address not unique

One of the subnet addresses for this circuit is the same as the subnet address for another circuit.

21.4 routing circuit adjacency

A routing circuit adjacency entity describes an adjacency, which is a neighboring node that is accessible through a particular circuit. The *circuit-name* refers to the circuit associated with the specified adjacency. The *adjacency-name* refers to the adjacency managed by this command.

The create and delete commands are allowed only if circuit is csma-cd and type is L1router or L2router. In addition, the delete command is allowed on end systems only for x25 da circuit adjacencies.

Syntax

```
create [node node-id] routing circuit circuit-name adjacency adjacency-name {data format format-type |  
endnode ids set | LAN address ID802 }
```

```
delete [node node-id] routing circuit circuit-name adjacency adjacency-name
```

```
show [node node-id] routing circuit circuit-name adjacency adjacency-name [all [attributes] | all  
identifiers | all status ]
```

21.4.1 Arguments

data format *format-type*

Format of the reachable address. This argument is optional.

endnode ids *set*

Set of source system IDs. This argument is mandatory.

LAN address *ID802*

Data link address from which the adjacency receives end system hellos. This argument is mandatory.

21.4.2 Identifier Attributes

name

Simple name assigned to the adjacency when it is created.

21.4.3 Status Attributes

data link port

Support: All

Name of the data link port used for this X.25 data adjacency. This attribute is supported only if the owning routing circuit entity's characteristic type is set to x25 da.

dte address

Support: All

DTE address of the neighboring node on an X.25 circuit. This status is supported only if the owning circuit entity's characteristic type is x25 da.

endnode ids

Support: All

System IDs of neighboring end nodes. This attribute is supported only if the node is an end node and the owning circuit entity's characteristic type is not x25 da.

Routing Module

21.4 routing circuit adjacency

endnode nets

Support: All

NETs computed from the system IDs in the `endnode ids` status and the set of area addresses in the owning routing entity's manual area addresses set. This attribute is supported only if the node is an end node and the owning circuit entity's characteristic type is not `x25 da`.

holding timer

Support: L1,L2

Holding time for this adjacency, updated from the router-to-router Hello messages. This attribute is supported only if both the node and the adjacency are routers.

ip addresses

Support: IP

IP addresses of the neighbor node. If these are not known, the set is empty.

lan address

Data link address of the neighboring node on a broadcast circuit. This status is supported only if the owning circuit entity's characteristic type is `csma-cd`.

LAN priority

Support: L1,L2

Priority of the neighbor of this adjacency for becoming the LAN level 1 designated router (if the adjacency is a DECnet-Plus level 1 router) or the LAN level 2 designated router (if the adjacency is a DECnet-Plus level 2 router).

This status is supported only if the owning circuit entity's characteristic type is `csma-cd`; and the adjacency is a router rather than an end node.

level

Support: L1,L2

The level of the adjacency. This attribute is supported only if both the node and the adjacency are routers.

Level 1	The adjacency is used for level 1 routing.
Level 2	The adjacency is used for level 2 routing.
Level 1 & 2	The adjacency is used for level 1 and level 2 routing.
Level 0 (undefined)	The usage is undefined.

neighbor areas

Support: L1,L2

Area addresses of the neighboring node. This attribute is supported only if both the node and the adjacency are routers and the owning circuit entity's characteristic type is not `x25 da`.

neighbor node id

Support: L1,L2

Node ID of the neighboring node.

neighbor node type

Support: All

Type of the neighboring node. This status is supported only if the owning circuit entity's characteristic type is not x25 da.

DECnet Phase V endnode The node is a DECnet-Plus end node.

DECnet Phase V level 1 router The node is a DECnet Phase V level 1 router.

DECnet Phase V level 2 router The node is a DECnet Phase V level 2 router.

DECnet Phase V router The node is a DECnet Phase V router.

non-dna router The node is not a DNA router.

phaseiv endnode The node is a Phase IV end node.

phaseiv level 1 router The node is a Phase IV level 1 router.

phaseiv level 2 router The node is a Phase IV level 2 router.

phaseiv router The node is a Phase IV router.

unknown The node type is unknown.

neighbor protocols supported

Support: IP

Network protocols supported by the neighboring node (either IP or ISO-8473).

router nets

Support: End

Network Entity Title(s) (NETs) of a neighboring router. This status is supported only if the adjacency is a level 1 or level 2 router, and the owning circuit entity's characteristic type is not x25 da.

state

Support: All

State of the routing circuit adjacency entity. May be one of the following:

failed

initializing

up

up/dormant

type

Type of adjacency.

autoconfigured Created by autoconfiguration.

Routing Module

21.4 routing circuit adjacency

manual Created manually by a create command.

This attribute indicates whether the adjacency has been manually created, or whether the adjacency was created by means of Hello PDUs. It will always have the value `manual` when it has been created by the `create` command; otherwise, it will have the value `autoconfigured`.

21.4.4 Exception Messages

For create:

invalid lan address

The specified LAN address is invalid.

non broadcast circuit

Manual adjacencies can be treated only on broadcast circuits.

reserved identifier

You have attempted to create a manual adjacency with an identifier that is reserved for automatic adjacencies.

For delete:

deletion not permitted

An attempt has been made to delete an automatic adjacency, or an adjacency on a circuit that is not a dynamically assigned X.25 circuit.

21.5 routing circuit ip address translation

A routing circuit ip address translation entity describes the mapping between the IP address of an IP adjacency on a broadcast circuit and its LAN address. This entity is supported only on systems that support dual routing. All ip address translation entities are created automatically, but can be deleted manually.

Syntax

```
delete [node node-id] routing circuit circuit-name ip address translation ip-address
```

```
show [node node-id] routing circuit circuit-name ip address translation ip-address [all [attributes] | all  
identifiers | all status ]
```

21.5.1 Identifier Attributes

ip address

IP address of the neighbor.

21.5.2 Status Attributes

LAN address

Support: IP

LAN address that corresponds to the IP address of this neighbor.

Routing Module

21.6 routing circuit ip reachable address

21.6 routing circuit ip reachable address

A routing circuit ip reachable address entity describes a manually entered subnet address that is accessible by way of a specified circuit. An IP reachable address allows a level 2 router at the boundary of a routing domain to include information about the address and reachability of subnetworks outside the domain. IP reachable addresses exist only on level 2 routers that support dual routing.

Syntax

```
{add | remove | set} [node node-id] routing circuit circuit-name ip reachable address address-name
create [node node-id] routing circuit circuit-name ip reachable address address-name destination
      subnet-address
delete [node node-id] routing circuit circuit-name ip reachable address address-name
disable [node node-id] routing circuit circuit-name ip reachable address address-name
enable [node node-id] routing circuit circuit-name ip reachable address address-name
set [node node-id] routing circuit circuit-name ip reachable address address-name {DTE addresses set
      of dte-address | metric integer | metric class metric-type | next hop ip-address }
show [node node-id] routing circuit circuit-name ip reachable address address-name [all [attributes] |
      all characteristics | all identifiers | all status ]
```

21.6.1 Arguments

destination *subnet-address*

Specifies the IP address and subnet mask to which this IP reachable address corresponds. This argument determines the value of the `destination` characteristic. Note that if the subnet address is for an IP host, this argument also determines the value of the `next hop` characteristic.

21.6.2 Characteristic Attributes

destination

Support: L2,IP

The IP address and subnet mask to which this reachable address refers. This value is derived from the `destination` argument of the `create` command. You cannot modify this characteristic.

dte addresses

Support: L2,IP

Default: No DTE addresses

Value: Set of DTE addresses

A set of DTE addresses to which a call may be directed in order to reach an address that matches the subnet address given by the `subnet address` characteristic. You can modify this characteristic only when the entity is disabled.

This characteristic is supported only if the owning circuit is an X.25 circuit.

metric

Support: L2,IP

Default: 20

Value: 1–maximum link cost

Default metric value for reaching the specified subnet over this circuit. You can modify this characteristic only when the entity is disabled.

metric class

Support: L2,IP

Default: External

Value: External or internal

Class of the default metric, which controls the preference for this route in the decision process.

external The I/E bit for the default metric in the External Reachability Information option of level 2 link state packets is set to 1. The subnet address specified by this IP reachable address will have the same preference as level 2 external routes.

internal The I/E bit for the default metric in the External Reachability Information option of level 2 link state packets is set to 0. The subnet address specified by this IP reachable address will have the same preference as level 2 internal routes.

You can modify this characteristic only when the entity is disabled.

next hop

Support: L2,IP

Default: 0.0.0.0

Value: IP-address

IP address of the neighboring node through which the destination is reachable. When you create this entity, this characteristic is set to the value of the IP address component of the destination argument of the create command if the IP reachable address is to an IP host.

This characteristic is not used on circuits of type x25 da. You can modify this characteristic only when the entity is disabled.

21.6.3 Identifier Attributes

name

Simple name assigned to the IP reachable address when it is created.

21.6.4 Status Attributes

state

Status of the routing circuit reachable address entity.

off The IP reachable address is disabled.

on The IP reachable address is enabled.

21.6.5 Exception Messages

For create:

destination not unique

An IP reachable address already exists with the specified destination.

wrong circuit type

If the subnet address is for an IP host, it must be on an x25 da circuit.

For enable:

invalid next hop

The Next Hop IP address has not been changed from the default value.

Routing Module

21.6 routing circuit ip reachable address

invalid snpa address

The DTE address has not been changed from the default value and the parent circuit entity (that is the Routing Circuit entity to which this entity is subordinate) has type x25 da.

21.7 routing circuit reachable address

A routing circuit reachable address entity contains information about a manually entered address prefix accessible over that circuit. It exists only on L2 routers and end nodes. On L2 routers the type may be outbound or inbound.

A reachable address of type **outbound** (default) describes address prefixes in an external domain that are reachable by outbound traffic over this circuit. For end systems, the circuit can be either an X.25 DA circuit or a broadcast circuit. The routing information contained in the reachable address is entered directly into the L2 decision process. When `ManualL2Algorithm` has the value *routing vector*, only reachable addresses with address prefixes corresponding to Phase IV areas are fed into the decision process.

On an L2 router, an **inbound** reachable address describes address prefixes corresponding to Phase IV areas that are reachable through the local node by inbound traffic over this circuit. The routing information contained in the reachable address (area and cost) is entered into a Phase IV routing vector message, which is transmitted periodically over this circuit.

On an end system, the type may be **outbound** or (for a broadcast circuit only) **filter**. A reachable address of type *outbound* behaves in a way similar to that on an L2 router except that the routing information is used to control the operation of the ES cache. A reachable address of type *filter* (for a broadcast circuit only) specifies the permitted LAN addresses of routers on the LAN that will be used by the reverse path cache algorithm. To switch between outbound and filter types, the reachable address must first be disabled.

For either outbound or filter type, the `mapping` attribute should be set to `manual` because the default is `X.121`.

The *circuit-name* refers to the circuit associated with the specified reachable address. The *address-prefix* refers to the reachable address managed by this command.

Syntax

```
add [node node-id] routing circuit circuit-name reachable address address-name {DTE addresses set of
    dte-address | permitted LAN address set of ID802 }

create [node node-id] routing circuit circuit-name reachable address address-name address prefix
    address-prefix

delete [node node-id] routing circuit circuit-name reachable address address-name

disable [node node-id] routing circuit circuit-name reachable address address-name

enable [node node-id] routing circuit circuit-name reachable address address-name

remove [node node-id] routing circuit circuit-name reachable address address-name {DTE addresses
    set of dte-address | permitted LAN address set of ID802 }

set [node node-id] routing circuit circuit-name reachable address address-name {address prefix
    address-prefix | block size integer | cost integer | data format PhaseIV or PhaseV | DTE
    addresses set of dte-address | lan address ID802 | ISDN addresses set of isdn-address | metric
    type metric-type | mapping mapping-type | modem addresses modem-address | modem address
    prefix modem-address-prefix | modem address suffix modem-address-suffix | permitted lan
    addresses set of ID802 | type address-type }

show [node node-id] routing circuit circuit-name reachable address address-name [all [attributes] | all
    characteristics | all identifiers | all status ]
```

Routing Module

21.7 routing circuit reachable address

21.7.1 Arguments

address prefix *address-prefix*

Address prefix to which this reachable address corresponds.

21.7.2 Characteristic Attributes

address prefix

Support: L2,End

Default: None

Value: Address prefix

Address prefix to which this reachable address refers. You cannot modify this characteristic. This characteristic is set by means of an argument to the create command.

The value of this characteristic derives from an argument to the create command. This characteristic is supported only if the owning circuit has type set to x25 da.

block size

Support: End, type outbound

Default: 0

Value: 0–65536

The data link block size to be used for this prefix for an end system. If the block size is set to the default, the manual block size of the circuit will be used instead. This attribute is supported only if the type characteristic is set to outbound.

cost

Support: L2

Default: 20

Value: 1–63

Cost of reaching this address prefix over this circuit.

data format

Support: L2,End

Default: PhaseV

Value: PhaseIV (1) or PhaseV (0)

The PDU data format to be used when forwarding data (or error report) NPDUs using this reachable address.

This attribute is supported only if the type characteristic is set to outbound. You can modify this characteristic only when the entity is disabled.

dte addresses

Support: End,L2

Default: No DTE addresses={ }

Value: Set of DTE addresses

A set of DTE addresses to which a call may be directed in order to reach an address that matches the address prefix of this reachable address.

This characteristic is supported if the node is a level 2 router, where the owning circuit's characteristic type is one of the X.25 circuit types, and the reachable address's characteristic type is outbound. It is also supported by end nodes operating over an x25 da circuit. You can modify this characteristic only when the entity is disabled.

Routing Module

21.7 routing circuit reachable address

ISDN address

Support: L1,L2

Default: { }

Value: Set of ISDN Addresses

A full set of E.164 ISDN network addresses to which a call may be directed in order to reach a network number that matches the address prefix of the parent reachable address entity. Associated with each ISDN network address, but not visible to network management, is a variable last failure of type binary absolute time. This attribute is supported only if access type is ISDN DA.

LAN address

Support: L2,End

Default: 00-00-00-00-00-00

Value: ID

A single LAN address to which an NPDU can be directed in order to reach an address that matches the address prefix of the parent reachable address entity. This attribute is supported only if the `type` characteristic is set to `outbound` on broadcast circuits only. A valid address is required here.

You can modify this characteristic only when the entity is disabled.

mapping

Support: End,L2

Default: X.121

Value: Manual or X.121

Type of mapping used to determine the SNPA address to which a call should be placed for this address prefix. You can modify this characteristic only when the entity is disabled. If the circuit is a broadcast circuit, this attribute must have the value `manual`.

manual The mapping uses the set of addresses in the characteristic `dte addresses` or the address in the characteristic `LAN address`.

X.121 The mapping uses the X.121 address extraction algorithm.

This characteristic is supported only if either of the following conditions is satisfied:

- The node is a level 2 router or an end node, and the owning circuit's characteristic `type` is one of the X.25 circuit types.
- The node is a level 2 router, the owning circuit's characteristic `type` is `csma-cd`, and the reachable address's characteristic `type` is `outbound`.

metric type

Support: L2

Default: Internal

Value: Internal, external

The metric type of the cost metric for the circuits. If `internal`, the I/E bit for the metric in the Prefix Neighbors option of L2 LSPs is set to 0, otherwise (`external`) is set to 1.

modem addresses

Support: L1,L2

Routing Module

21.7 routing circuit reachable address

Default: {}

Value: Set of modem addresses

A set of full dial sequence that contains the address (PSTN or ISDN) to which a call may be directed in order to reach a network number that matches the address prefix of the parent reachable address entity. Associated with each modem address, but not visible to network management, is a variable last failure of type binary absolute time. This is valid only if mapping is manual and the parent circuit entity's access time is Modem DA.

modem address prefix

Support: L1,L2

Default: L1,L2

Value: Address string

The address that is to be inserted to the beginning of the address extracted from the NSAP address. This is valid only if mapping is not manual and the parent circuit entity's access type is Modem DA. It is used in conjunction with modem access suffix to form the complete dial sequence.

modem address suffix

Support: L1,L2

Default: L1,L2

Value: Address string

The address that is to be inserted to the end of the address extracted from the NSAP address. This is valid only if mapping is not manual and the parent circuit entity's access type is Modem DA. It is used in conjunction with modem access prefix to form the complete dial sequence.

permitted LAN address

Support: End

Default: {}

Value: Set of ID802

The set of LAN addresses corresponding to routers that are permitted to be used for forwarding to this prefix. This attribute is supported only if the type characteristic is set to *filter* on broadcast circuits only. The default is an empty set, and at least one LAN address is required.

type

Support: L2,End

Default: Outbound

Value: Inbound, outbound, or filter

Type of the reachable address. You can modify this characteristic only when the entity is disabled.

inbound

For L2 only, the address prefix corresponds to a Phase IV area that is reachable through this node and circuit by inbound traffic.

outbound

The address prefix is in an external domain that is reachable over this circuit by outbound traffic. The mapping attribute should be set to *manual*.

filter

The address prefix defines a set of addresses that should be reached via the set of routers listed in the permitted LAN address characteristic. The mapping attribute should be set to *manual*.

21.7.3 Identifier Attributes

name

Simple name assigned to the reachable address when it is created.

21.7.4 Status Attributes

state

State of the routing circuit reachable address entity.

off The reachable address is disabled.

on The reachable address is enabled.

21.7.5 Exception Messages

For create:

address prefix not unique

A reachable address already exists with the specified address prefix.

invalid address prefix

Specified address prefix has more than two digits, and does not correspond to a valid AFI.

non DA circuit

A reachable address on an end node can only be created on a DA circuit.

For enable:

invalid address

The DTE address or LAN address has not been changed from the default value.

Routing Module

21.8 routing destination area

21.8 routing destination area

A routing destination area entity contains information about a destination area or reachable address prefix. These entities are created and deleted dynamically by the Routing module.

Destination areas exist only on nodes that are level 2 routers. The *address-prefix* is the destination area managed by this command.

Syntax

```
show [node node-id] routing destination area address-prefix [all [attributes] | all identifiers | all status ]
```

21.8.1 Identifier Attributes

name

Address prefix associated with this destination area.

21.8.2 Status Attributes

cost

Support: L2

Cost of the least cost path(s) to this destination area.

output adjacencies

Support: L2

Set of routing circuit and routing circuit adjacency (or routing circuit reachable address) entity names that represent the forwarding decisions for this destination area.

21.9 routing destination cache (Tru64 UNIX)

A routing destination cache entity contains a collection of information corresponding to each remote system with which the local system is communicating, identified by the NSAP of the remote system. The set of information includes one or more collections of the following information, which reflect the network path taken by user data. Each record includes the following information:

- Circuit name — The name of the circuit over which data was received.
- Data link address — The data link address of the system that passed the data to the local system. This may be the address of the actual source of the data, or it could be the address of a router.
- Remaining Time— The amount of time (in seconds) this data will be considered valid. If it is not updated by the end of that time (by the arrival of more data, for example), it will be deleted.
- Reachability — There are three values possible:
 - Reverse — Data has arrived from the indicated data link address, with no further indication of the source's location.
 - Indirect — One or more routers (IS) have sent redirect packets to indicate that the specified data link address is the best path to use.
 - Direct — The remote system has been shown to be directly connected or on the same LAN segment.
- Data format — Indicates if PhaseIV or ISO CLNP packets are being used for communications with the remote system.
- Block size — Shows what sized packets are being used, which for LAN circuits would be either Ethernet or FDDI frame sizes.

Syntax

```
show [node node-id] routing destination cache address-prefix [all [attributes] | all identifiers | all status  
] (Tru64 UNIX only)
```

21.9.1 Identifier Attributes

name

Address prefix associated with this destination area.

21.9.2 Status Attributes

information

The set of records containing cache information relating to this address.

Routing Module

21.10 routing destination node

21.10 routing destination node

A routing destination node entity contains information about a particular destination node within the same area as this node. These entities are created and deleted automatically by the Routing module. Destination nodes exist only on nodes that are level 1 or level 2 routers.

Syntax

```
show [node node-id] routing destination node node-id [all [attributes] | all identifiers | all status ]
```

21.10.1 Identifier Attributes

name

System ID associated with this destination node.

21.10.2 Status Attributes

cost

Support: L1,L2

Cost of the least cost path(s) to this destination node.

nets

Support: L1,L2

Set of NETs computed from the system ID that is the entity's name and the area addresses in the routing entity's manual area addresses set.

output adjacencies

Support: L1,L2

Set of routing circuit and routing circuit adjacency entity names representing the forwarding decisions for this destination node.

21.11 routing egp group

A routing egp group entity defines a set of systems in the same autonomous system with which this system may exchange EGP messages. This entity is supported only on level 2 routers that support dual routing (and, in particular, the EGP routing protocol).

Syntax

```
create [node node-id] routing egp group group-name
delete [node node-id] routing egp group group-name
disable [node node-id] routing egp group group-name
enable [node node-id] routing egp group group-name

set [node node-id] routing egp group group-name {autonomous system number integer | external
  routes set of send,receive | maximum active neighbors integer | receive metric class class | send
  local metric integer | send metric classes set of classes | send replacement metric integer }

show [node node-id] routing egp group group-name [all [attributes] | all characteristics | all identifiers
  | all status ]
```

21.11.1 Characteristic Attributes

autonomous system number

Support: L2,IP

Default: 0

Value: 0–65535

The autonomous system number common to members of this group. You can modify this characteristic only when the entity is disabled. This attribute is supported only if the node is a level 2 router, and if the system supports dual routing (both DECnet and IP routing).

external routes

Support: L2,IP

Default: Receive

Value: Set of send,receive

If the set includes `receive`, external gateway routes are accepted from neighbors in the group; if the set does not include `receive`, external gateway routes are discarded. If the set includes `send`, external gateway routes will be sent to neighbors in this group; if the set does not include `send`, external gateway routes are not sent. You can modify this characteristic only when the entity is disabled.

maximum active neighbors

Support: L2,IP

Default: 1

Value: 0–255

The maximum number of neighbor systems in the group that this system will attempt to acquire and maintain in the Up state at any given time. You can modify this characteristic only when the entity is disabled.

receive metric class

Support: L2,IP

Routing Module

21.11 routing egp group

Default: External **Value:** Internal or external

The class to be associated with routes received from EGP neighbors in this group (unless overridden by a routing receive route entity). You can modify this characteristic only when the entity is disabled.

send local metric

Support: L2,IP

Default: 1 **Value:** 0–255

The metric value to be used when announcing routes derived from local information (unless overridden by a routing send route entity). You can modify this characteristic only when the entity is disabled.

send metric classes

Support: L2,IP

Default: Internal **Value:** Set of external,internal

Routes received through routing protocols other than EGP with metric classes in this set are candidates for announcement in EGP messages sent to neighbors in this group, subject to route propagation policy. Routes with metric classes not specified in this set will not be announced. You can modify this characteristic only when the entity is disabled.

send replacement metric

Support: L2,IP

Default: 1 **Value:** 0–255

Specifies the metric value to be used when announcing routes derived from non-EGP routing protocols (unless overridden by a routing send route entity). You can modify this characteristic only when the entity is disabled.

21.11.2 Identifier Attributes

name

Simple name assigned to the EGP group when it is created.

21.11.3 Status Attributes

state

State of the routing egp group entity.

off The entity is disabled.

on The entity is enabled.

21.11.4 Exception Messages

For enable:

invalid autonomous system number

The autonomous system number characteristic has not been changed from its default value.

open port failed

The routing EGP port could not be opened.

21.12 routing egp group egp neighbor

A routing egp group egp neighbor entity defines one of the systems in the autonomous group defined by the owning egp group entity. This entity is supported only on level 2 routers that support dual routing (and, in particular, the EGP routing protocol).

Syntax

```
create [node node-id] routing egp group group-name egp neighbor neighbor-name ip address  
      ip-address  
delete [node node-id] routing egp group group-name egp neighbor neighbor-name  
disable [node node-id] routing egp group group-name egp neighbor neighbor-name  
enable [node node-id] routing egp group group-name egp neighbor neighbor-name  
show [node node-id] routing egp group group-name egp neighbor neighbor-name [all [attributes] | all  
      characteristics | all counters | all identifiers | all status ]  
start [node node-id] routing egp group group-name egp neighbor neighbor-name  
stop [node node-id] routing egp group group-name egp neighbor neighbor-name
```

21.12.1 Arguments

ip address *ip-address*

The IP address of the EGP neighbor.

21.12.2 Characteristic Attributes

circuit

Default: None

Value: Circuit name

Simple name of the circuit.

ip address

Support: L2,IP

Internet address of this EGP neighbor. The value of this characteristic is derived from the `ip address` argument of the `create` command. You cannot modify this characteristic.

next hop

Default: 0.0.0.0

Value: IP address

IP address and the next routing node.

source network

Default: 0.0.0.0

Value: Network number

Network number to query.

Routing Module

21.12 routing egp group egp neighbor

21.12.3 Counter Attributes

creation time

Support: L2,IP

Time at which this entity was created.

error messages received

Support: L2,IP

Number of EGP error messages received from this neighbor.

error messages sent

Support: L2,IP

Number of EGP error messages sent to this neighbor.

messages received

Support: L2,IP

Number of EGP messages received without error from this neighbor.

messages sent

Support:L2,IP

Number of EGP messages sent to this neighbor. Note that this value does not include EGP messages counted by the counter send messages discarded.

received messages discarded

Support: L2,IP

Number of EGP messages received from this neighbor with any kind of error.

send messages discarded

Support: L2,IP

Number of EGP messages not sent to this neighbor because of resource limitations within the egp entity.

start events

Support: L2,IP

Number of times the EGP neighbor has been manually started.

stop events

Support: L2,IP

Number of times the EGP neighbor has been manually stopped.

21.12.4 Identifier Attributes

name

Simple name assigned to the EGP neighbor when it is created.

21.12.5 Status Attributes

egp state

Support: L2,IP

EGP state of the system with respect to this EGP neighbor.

acquisition idle

cease up

down

hello time

Support: L2,IP

Interval, in hundredths of a second, between retransmissions of EGP Hellos. This value represents the t1 timer defined in RFC 904.

last event

Support: L2,IP

Specifies whether the last event issued on this EGP neighbor was a start or a stop event.

start The last event was a start.

stop The last event was a stop. This is the value with which an EGP neighbor is created, before either a start or stop command has been issued.

polling mode

Support: L2,IP

Polling mode of the EGP entity with respect to this neighbor as either active or passive.

poll time

Support: L2,IP

Interval, in hundredths of a second, between retransmissions of EGP polls. This value represents the t3 timer defined in RFC 904.

state

State of the routing egp group egp neighbor entity.

off The entity is disabled.

on The entity is enabled.

uid

Entity's unique identifier, which is generated when the entity is created.

Routing Module

21.12 routing egp group egp neighbor

21.12.6 Event Messages

error message received

Support: L2,IP

Generated when an EGP error response message is received.

Arguments:

neighbor ip address	IP address of this neighbor.
reason	Reason why the error message occurred: autonomous system number rejected bad EGP data field format bad EGP header format excessive polling rate no response reachability information unavailable

error message sent

Support: L2,IP

Generated when an EGP error response message is sent.

Arguments:

neighbor ip address	IP address of this neighbor.
reason	Reason why the error message occurred. See the description of the Reason argument of the Error Message Received event.

received message discard

Support: L2,IP

Generated when a received EGP message is discarded for some reason.

Arguments:

neighbor ip address	IP address of this neighbor.
reason	Reason why the error message occurred. See the description of the Reason argument of the Error Message Received event.

send message discard

Support: L2,IP

Generated when an EGP message for transmission is discarded for some reason.

Arguments:

neighbor ip address	IP address of this neighbor.
reason	Reason why the error message occurred. See the description of the Reason argument of the Error Message Received event.

start

Support: L2,IP

Generated when a `start` command completes successfully.

Argument:

neighbor ip address IP address of this neighbor.

state change

Support: L2, EGP

Generated when the status attribute `egp state` changes to some other state.

Argument:

neighbor ip address IP address of this neighbor.

stop

Support: L2,IP

Generated when a `stop` command completes successfully.

Argument:

neighbor ip address IP address of this neighbor.

21.12.7 Exception Messages

For create:

duplicate ip address

An EGP neighbor with this IP address already exists in this EGP group.

Routing Module

21.13 routing ip destination address

21.13 routing ip destination address

A routing ip destination address entity describes IP routing information in the shortest paths database. This entity is supported only on routers that support dual routing.

Syntax

```
show [node node-id] routing ip destination address address-name [all [attributes] | all identifiers | all status ]
```

21.13.1 Identifier Attributes

name

Subnet address of a destination subnetwork.

21.13.2 Status Attributes

level

Support: L1,L2,IP

Level at which the shortest path exists in the shortest paths database:

Level 1

Level 2 External

Level 2 Internal

metric

Support: L1,L2,IP

Default metric value for the shortest path to the destination subnetwork.

paths

Support: L1,L2,IP

Equal cost paths for this route. The following information appears for each path:

1. The name of the entity pair that represents the forwarding decision for this path (circuit and one of adjacency, IP adjacency, or IP reachable address).
2. The routing mechanism through which the route was learned:
 - Local — the route is derived from the subnet address or alternative subnet addresses characteristics of a local circuit.
 - Netmgt — the route is derived from manually configured information on the local system.
3. The number of seconds since the route was last updated.

21.14 routing permitted neighbor

A routing permitted neighbor entity represents a neighboring node on a nonbroadcast circuit that is permitted to connect to this node. The *neighbor-name* is the name of the permitted neighbor managed by this command.

Syntax

create [node *node-id*] routing permitted neighbor *neighbor-name* id *node-id*

delete [node *node-id*] routing permitted neighbor *neighbor-name*

set [node *node-id*] routing permitted neighbor *neighbor-name*

show [node *node-id*] routing permitted neighbor *neighbor-name* [all [attributes] | all characteristics | all identifiers]

21.14.1 Characteristic Attributes

id

Support: All

Default: No default

Value: Node ID

Node ID of a potential neighbor node. You cannot modify this characteristic. This characteristic is set by means of an argument to the create command.

verifier

Support: All

Default: No verifier

Value: Hex-string, length 0–38

Verifier to be checked from this neighbor. You may change this characteristic at any time; however, the change will not take effect until the circuit is next initialized. You cannot display this characteristic.

If the verifier is not set, then a connection to the neighboring node whose ID matches the ID in this entry is allowed. If the verifier is set, the connection is allowed only if the verifier sent by the remote node matches the one in this entry.

21.14.2 Identifier Attributes

name

Simple name assigned to the permitted neighbor when it is created.

21.14.3 Exception Messages

For create:

duplicate node id

A routing permitted neighbor entity with the specified node ID already exists.

Argument:

name The name of the permitted neighbor that already has this node ID.

permitted neighbor already exists

A routing permitted neighbor entity with the specified name already exists.

Routing Module

21.15 routing port

21.15 routing port

A `routing port` entity represents a client of the Routing module, and presents information associated with that client. The `port-name` refers to the port managed by this command.

Syntax

```
show [node node-id] routing port port-name [all [attributes] | all counters | all identifiers | all status ]
```

21.15.1 Counter Attributes

creation time

Support: All

Time the entity was created.

data sdus received

Support: All

Number of data NSDUs delivered across transport interface (after reassembly).

error reports received

Support: All

Number of error report PDUs delivered across transport interface.

expired segments discarded

Support: All

Number of segments discarded because lifetime expired during reassembly.

ip packets reassembled

Support: IP

Number of IP packets reassembled successfully from fragments.

sdus transmitted

Support: All

Number of data NSDUs requested for transmission across transport interface.

segments discarded

Support: All

Number of segments (data- or error-report) discarded before delivery across the Transport interface, including segments discarded for any reason other than lifetime expiration during reassembly.

segments received

Support: All

Number of data- and error-report NPDUs received before reassembly.

21.15.2 Identifier Attributes

name

Simple name assigned to the port when it is created.

21.15.3 Status Attributes

client

Support: All

Name given by the user of the port when the port was opened.

nsap addresses

Support: All

Set of NSAP addresses to be received at this port. This attribute is supported only if the status attribute `type` is not set to `IP`.

nsap selector

Support: All

Network service access point (NSAP) selector octet supplied by the client. This attribute is supported only if the status attribute `type` is not set to `ip`.

protocol type

Support: IP

Value of the IP protocol field specified by the client.

type

Support: IP

Type of connectionless network service to be used: `IP` or `ISO 8473`.

uid

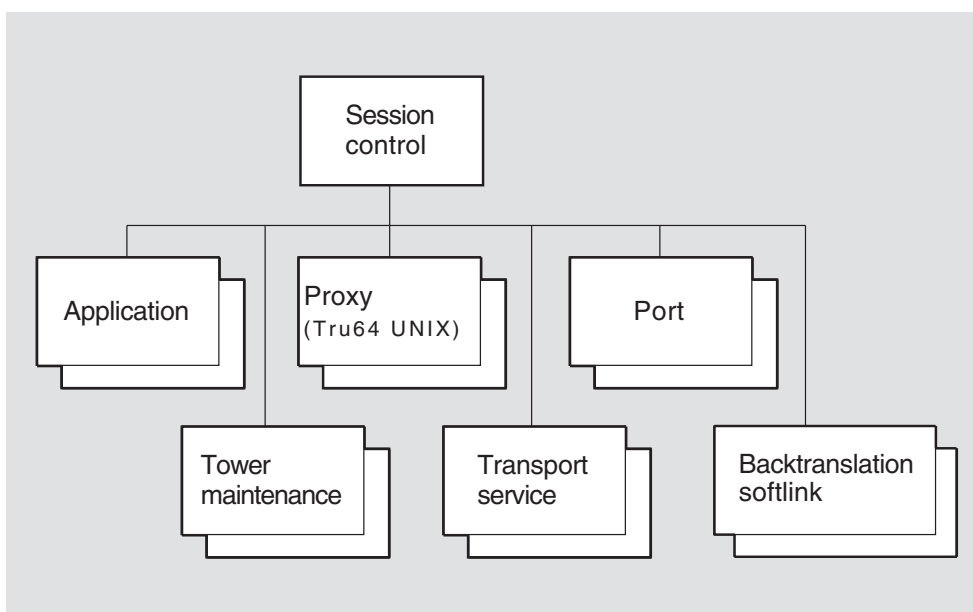
Entity's unique identifier, which is generated when the entity is created.

Session Control Module

This chapter describes all of the commands you can use to manage the entities that constitute the Session Control module. The Session layer implements the user interface to the network.

Figure 22–1 shows the hierarchical relationship of the entities that constitute the Session Control module.

Figure 22–1 Hierarchy of Session Control Module Entities



LKG-4557-92R

The Session layer is responsible for connection negotiation and establishment. The Session Control module performs the following functions:

- Manages transport connections on behalf of Session Control users.
- Enforces access control policies to restrict communication between users and between Session Control modules.
- Maps from a DNA Naming Service object name to protocols and addresses.
- Selects from the set of protocols supporting Session Control to attempt connection establishment.

Session Control Module

- Maintains in the namespace the protocol and address information corresponding to objects that reside in the same node as the local Session Control module.

22.1 session control

The `session control` entity is the top-level entity in the hierarchy of entities belonging to the Session Control module.

Syntax

```
create [node node-id] session control
delete [node node-id] session control (Tru64 UNIX)
disable [node node-id] session control
enable [node node-id] session control
flush [node node-id] session control naming cache entry "*" (OpenVMS)
restrict [node node-id] session control
set [node node-id] session control {address update interval integer | backtranslation search path search-path-information | decnet-internet gateway enabled boolean (Tru64 UNIX) | decnet-internet gateway user latin1string (Tru64 UNIX) | incoming proxy boolean | incoming timer integer | maintain backward soft links boolean | naming cache checkpoint interval integer (OpenVMS) | naming cache timeout integer (OpenVMS) | naming search path search-path-information | modify acs boolean | node synonym directory full-name (Tru64 UNIX) | non privileged user session-control (OpenVMS) | outgoing proxy boolean | outgoing timer integer | soft link timer binary-relative-time (Tru64 UNIX) | update retry interval integer | transport precedence sequence of simple-name }
show [node node-id] session control [all [attributes] | all characteristics | all counters | all status ]
shut [node node-id] session control
```

22.1.1 Commands

flush (OpenVMS)

Removes one or more entries from the in-memory, local naming cache. Use the syntax parenthesis-asterisk-parenthesis.

restrict

Places the module in the `restrict` state. In this state, outgoing connection requests are accepted. Incoming connection requests are not accepted, unless the client has sufficient privilege to override.

shut

Places session control in the `shut` state. In this state, no further connection requests are honored. It continues to service existing connections. When all connections have been closed by their clients, it is placed in the `off` state.

22.1.2 Characteristic Attributes

address update interval

Default: 10

Values: 1–4294967296

Minimum time, in seconds, allowed between updates of address information. More frequent modification to the set of local towers is prohibited.

Session Control Module

22.1 session control

backtranslation search path

Default: None

Value: Search-path-information

Describes the order in which name services will be searched for address-to-node-name translation requests (when more than one name service is in use on a node) and any associated naming templates for each directory service.

decnet-internet gateway enabled (Tru64 UNIX)

Default: False

Value: True or false

If true, the DECnet-Internet Gateway is enabled.

decnet-internet gateway user (Tru64 UNIX)

Name of a user under whose account to run gateway applications.

incoming proxy

Default: True

Value: True or false

Specifies whether to honor incoming proxy requests. If this attribute is set to false, requests to invoke proxies on incoming requests are ignored.

incoming timer

Default: 45

Values: 0–65535

Time, in seconds, to wait for a user module to issue an `accept/reject` call after a port enters a state indicating that a connection request was received. If the timer expires, Session Control aborts the transport connection with a timed out error. For OpenVMS, a zero (0) value directs Session Control to wait indefinitely without aborting the connection.

maintain backward soft links

Default: False

Value: True or false

Specifies whether Session Control should attempt to update the backward translation soft links when it detects an address change. If this attribute is set to false, Session Control will add no new backward translation soft links and it may delete any that it has created.

modify acs

Default: True

Value: True or false

Specifies whether Session Control should attempt to update the ACS (access control set) of the node object whenever it attempts to update the towers attribute for the node in the namespace.

naming cache checkpoint interval (OpenVMS)

Default: 8

Value: Time

Amount of time, in hours, between times when the address and node name information is checkpointed to disk from the in-memory, local naming cache.

naming cache timeout (OpenVMS)

Default: 7

Value: Time

Amount of time, in days, after which the address and node name information for a node is deleted from the in-memory, local naming cache.

naming search path

Default: None

Value: Search-path-information

Describes the order in which name services will be searched for node-name-to-address translation requests (when more than one name service is in use on a node), and any associated naming templates for each name service.

node synonym directory (Tru64 UNIX)

Default: .DNA_NodeSynonym

Value: Full-name

Full name of a DECdns directory that contains node synonyms.

non privileged user (OpenVMS)

Specifies the Session Control on a non-privileged user account.

outgoing proxy

Default: True

Value: True or false

Specifies whether to invoke a proxy on outgoing connection requests when the user does not explicitly specify to do so. If this attribute is set to false, no proxy is invoked.

outgoing timer

Default: 60

Values: 0–65535

Time, in seconds, to wait for an outgoing transport connection to be accepted before Session Control aborts the connection with a timed out error. For OpenVMS, a zero (0) value directs Session Control to wait indefinitely without aborting the connection.

soft link timer (Tru64 UNIX)

Default: 30 days

Value: Binary relative time

Interval of time, in days, DECdns checks that an object pointed to by a backward translation soft link still exists.

update retry interval

Default: 60

Values: 1–4294967296

Time to wait before Session Control retries a failed attempt to update information in the namespace. The default is 60 minutes.

transport precedence

Default: OSI

Value: Set of OSI or NSP

Note: On the DECnet/OSI for ULTRIX and DECnet/OSI for Tru64 UNIX V1.0 products, the default was tp4 rather than OSI.

Sets the order in which transports are selected when establishing a connection. The default order is to try OSI, then NSP. The command takes a set as input. Valid items in the set are session control transport service entity names.

version

Default: Current version number

Session Control Protocol version number. You cannot modify this characteristic.

Session Control Module

22.1 session control

22.1.3 Counter Attributes

access control violations

Number of times Session Control has detected an access control violation event.

backtranslation deletions

Number of times Session Control has detected a backtranslation deletion event.

bad backtranslation links

Number of times Session Control has generated a bad backtranslation link event.

creation time

Time this entity was created and all counters are zero.

dangling links

Number of times Session Control has detected a dangling link event.

deleted maintained objects

Number of times Session Control has detected a deleted maintained object event.

verification failures

Number of times Session Control has detected a verification failure event.

22.1.4 Status Attributes

backtranslation directory

Name of the root directory of the backtranslation tree.

state

Status of the session control entity.

off The entity is disabled.

on The entity is enabled.

restricted The entity is enabled and supports existing transport connections; it initiates outgoing transport connections, but it refuses incoming connections unless the request meets system privilege requirements. This function is only supported on Tru64 UNIX.

shut The entity is enabled and supports existing transport connections, but it refuses any new connection requests. After all transport connections disappear, the state will automatically change to off. This function is only supported on Tru64 UNIX.

uid

Entity's unique identifier, generated when the entity is created.

22.1.5 Event Messages

access control violation

Generated each time Session Control detects an access control violation. The arguments provide information about the source and destination.

Arguments:

destination	End-user specification of the destination account.
destination account	Destination account information.
destination user	Destination user name.
node name	Name of the source node.
nsap address	Network address of the source node.
source	End-user specification at the source node.

backtranslation deletion

Generated each time a backward translation name is discarded because of an irrecoverable error.

Arguments:

name	Deleted name.
reason	DECdns error that caused the deletion.

bad backtranslation link

Generated when an attempt to access a backward translation soft link results in a clerk exception indicating that some attribute in the soft link chain was improperly configured.

Arguments:

name	Name improperly configured.
reason	Reason for the exception.

dangling link

Generated each time an attempt to access an attribute of a backward translation soft link results in a clerk. Dangling exception.

Argument:

name	Full name of the soft link.
-------------	-----------------------------

deleted maintained object

Generated each time a tower maintenance entity is discarded because of an irrecoverable error.

Arguments:

client	Network management name of the user who issued the keepmehere call that resulted in the creation of this entity.
creation time	Time this entity was created.
higher towers	Set of higher towers that was passed in the keepmehere that created this entity.
last failure reason	A DECdns error code that indicates the reason for the last update failure.
last successful update	Time of the last successful update to the DNA\$Towers attribute.
last update completed	Time that the last attempt to update the DNA\$Towers attribute completed.

Session Control Module

22.1 session control

last update started	Time that the last attempt to update the <code>DNA\$Towers</code> attribute was initiated.
name	Full name of the deleted entity.
reason	DECdns error that caused the deletion.
uid	Entity's unique identifier, generated when the entity is created.
update failures	Generated each time an attempt to update a <code>DNA\$Towers</code> attribute fails.
update successes	Generated each time an attempt to update a <code>DNA\$Towers</code> attribute succeeds.

verification failure

Generated each time Session Control is unable to verify that the addresses and protocols of an incoming connection request are consistent with the `DNA$Towers` attribute of the source node name.

Arguments:

address	Unverified protocol address sequence.
node	Full name of the source node.

22.1.6 Exception Messages

For create:

already exists

A session control entity already exists.

For delete (Tru64 UNIX):

wrong state

Disable the session control entity before trying to delete it.

22.2 session control application

A session control application entity stores information about an end user that is activated for receipt of an incoming connection request when the request contains that end user's name in its destination name field. The *application-name* refers to the application managed by this command.

Syntax

```
add [node node-id] session control application application-name addresses [set of end-user
specifications]

create [node node-id] session control application application-name

delete [node node-id] session control application application-name

remove [node node-id] session control application application-name addresses [set of end-user
specifications]

set [node node-id] session control application name {accept mode accept-mode (Tru64 UNIX) |
addresses set of end-user-spec | allow decnet-internet gateway access boolean (Tru64 UNIX) |
client client-id | data abstraction abstraction-type (Tru64 UNIX) | image name file-spec | incoming
alias boolean (OpenVMS) | incoming osi tsel TSEL (OpenVMS) | incoming proxy boolean |
maximum instances integer (Tru64 UNIX) | network priority integer (OpenVMS) | node synonym
boolean | outgoing alias boolean (OpenVMS) | outgoingalias name fullname (OpenVMS) |
outgoing proxy boolean (OpenVMS) | programming interface interface (Tru64 UNIX) | user name
latin1string }
```

```
show [node node-id] session control application application-name [all [attributes] | all characteristics |
all counters | all identifiers | all status ]
```

22.2.1 Characteristic Attributes

accept mode (Tru64 UNIX)

Default: Immediate

Value: Immediate or deferred

If `accept mode` is `immediate`, then Session Control will automatically accept the connection before activating the end user. If `accept mode` is `deferred`, then it is up to the program to accept or reject the connection.

addresses

Default: Empty set

Value: Set of end-user specifications

A set of end-user specifications, any one of which, when specified in the destination name field of an incoming connection request, causes applications defined by this entity to be invoked.

allow decnet-internet gateway access (Tru64 UNIX)

Default: False

Value: True or false

If `true`, this application supports gateway access. If the user name supplied by the incoming connect request contains a `@` or `!`, the application spawner starts up the application under the session control DECnet-Internet Gateway user.

client

Session Control Module

22.2 session control application

Default: None

Value: Entity name

Identifies the name of the local user that will be activated upon receipt of a connect request containing a destination name matching one of the values in the `addresses` attribute.

data abstraction (Tru64 UNIX)

Default: Message

Value: Message or stream

Type of data transfer interface the application will be using: message type or stream type. The message data abstraction is identical to the sequenced-packet socket concept of the Phase IV session control. When writing applications, you should use the same data abstraction as that used by the program to which you connect.

Table 22–1 compares message and stream data abstractions.

Table 22–1 Data Abstraction Type Comparison

Message Type	Stream Type
Preserves message boundaries	Does not preserve message boundaries
OpenVMS default abstraction	Commonly used for Tru64 UNIX applications
Not available on TCP/IP	Available on TCP/IP
Supported by XTI	Supported by XTI

image name

Default: No image name

Value: File specification

File name of a program to be invoked upon receipt of a connection request containing an address that matches one of the values contained in the set described by the `addresses` characteristic.

incoming alias (OpenVMS)

Default: True

Value: True or false

Specifies how a particular application responds to incoming connect requests directed to the alias node address. If `false`, the application does not allow a specified application to receive incoming connect requests that have been directed to the alias node address.

incoming osi tsel (OpenVMS)

A TSEL is a string of hexadecimal digits, and the length of that string should be an even number between 2 and 64, inclusive.

The TSEL this image will accept connections for. This is similar to the `destination names` attribute. However, applications using this access point for in-connection matching do not use DNA Session Control Protocol.

incoming proxy

Default: True

Value: True or false

Specifies whether to honor incoming proxy requests. If this attribute is set to `false`, requests to invoke proxies on incoming requests are ignored. The setting of this characteristic overrides the setting of the session control `incoming proxy` characteristic for the specified application.

Session Control Module 22.2 session control application

maximum instances (Tru64 UNIX)

Default: 0

Value: None

Maximum number of simultaneous instances of this application allowed. If a connect request comes in for this application while the maximum number of instances exist, the connect request will be rejected with `ObjectTooBusy`. A value of 0 indicates no maximum.

network priority (OpenVMS)

Default: 0

Value: 0–225

When operating over Connectionless Network Service (CLNS), indicates network priority encoded in the NPDU (network protocol data unit) header for all transmitted packets. It can be used by intermediate systems to assign the packets to queues of appropriate priority.

node synonym

Default: False

Value: True or false

Default form in which the remote node name is passed to the application.

false The full node name is used.

true The node synonym is used; if no synonym is available, the full name is used.

outgoing alias (OpenVMS)

Default: True

Value: True or false

Specifies whether a particular object uses the alias node identifier in its outgoing connect requests. If `false`, the specified object is not allowed to use the alias node address in its outgoing connect requests.

outgoingalias name (OpenVMS)

Default: None

Value: Full-name

Specifies the alias fullname to use as the outgoing alias node identifier in its outgoing connect requests on a system with multiple aliases configured and the outgoing alias characteristic set to `true`.

If you do not set an application's outgoingalias name characteristic and the application has its outgoing alias characteristic set to `true`, the alias name for which you set in the alias port's outgoing default characteristic to `true` is used for outgoing connect requests.

If no alias port has its outgoing default characteristic set to `true` and the application's outgoingalias name characteristics is not set, the first alias created is used as the default for the system. If this alias is not enabled, the local node name is used.

outgoing proxy (OpenVMS)

Default: True

Value: True or false

Default action to execute when user does not explicitly specify whether or not to invoke a proxy.

Session Control Module

22.2 session control application

programming interface (Tru64 UNIX)

Default: Phase IV

Value: Phase IV or Phase V

Programming interface used by the DECnet application (socket interface).

user name

Default: None

Value: Latin1String

Identifies the default account under which the application is to run. For OpenVMS, if null then system defaults are used to select the user.

22.2.2 Counter Attributes

access control violations (Tru64 UNIX)

Number of connect requests for this application entity for which access could not be granted.

creation time

Time the entity was created.

resource failures (Tru64 UNIX)

Number of times a connect request for this application was rejected due to a resource failure. Resource failures include `ObjectTooBusy` (for example, due to Maximum Instances reached) and `File is nonexistent or not executable`.

total invocations (Tru64 UNIX)

Number of instances of this application entity that have been invoked.

22.2.3 Identifier Attributes

name

Simple name assigned to the application when it is created.

22.2.4 Status Attributes

active instances (Tru64 UNIX)

Number of active instances of this application that are currently running.

last request (Tru64 UNIX)

Time the last connect request for this application was received.

process identifiers (Tru64 UNIX)

Specifies a set of processes that are active instances of the specified application.

uid

UID allocated upon creation of this application subentity instance.

22.2.5 Exception Messages

For create:

already exists

A session control application entity already exists.

22.3 session control backtranslation softlink

A session control backtranslation softlink entity stores information about entries in the backtranslation soft link database. The *name* is the unique name among the set of backtranslation soft link subentities maintained by Session Control.

Syntax

delete [node *node-id*] session control backtranslation softlink *name*

show [node *node-id*] session control backtranslation softlink *name* [all [attributes] | all counters | all identifiers | all status]

update [node *node-id*] session control backtranslation softlink *name*

22.3.1 Commands

update

Updates a backtranslation soft link entity.

22.3.2 Counter Attributes

creation time

Time when this subentity was created.

update failures

Number of times an update for this subentity failed.

update successes

Number of times an update for this subentity succeeded.

22.3.3 Identifier Attributes

name

Simple name assigned to the transport service when it is created.

22.3.4 Status Attributes

last failure reason

Failure reason for the most recent update failure.

last successful update

Most recent time an update for this subentity succeeded.

last update completed

Most recent time an update for this subentity completed.

last update started

Most recent time an update for this subentity was initiated.

network entity title

Network entity title for this soft link.

state

Status of this entity instance. Values include create, delete, exist and retarget.

target

Target for soft link.

Session Control Module

22.3 session control backtranslation softlink

uid

Entity's unique identifier, generated when the entity is created.

22.3.5 Event Messages

deleted

The given backtranslation softlink subentity instance was deleted.

Argument:

creation time	Time this subentity was created.
network entity title	Network entity title for this soft link.
state	Status of the entity.
target	Target for soft link.
update failures	Times an update for this subentity failed.
update success	Times an update for this subentity succeeded.

update failure

Signals an attempt to create, delete, or retarget a backtranslation has failed.

Argument:

reason	Reason for the failure.
---------------	-------------------------

22.4 session control port

A session control port entity stores Session Control information about the transport connection. The *port-name* refers to the port managed by this command.

Syntax

```
delete [node node id] session control port port-name
```

```
show [node node id] session control port port-name [all [attributes] | all counters | all identifiers | all status ]
```

22.4.1 Counter Attributes

creation time

Time the entity was created.

22.4.2 Identifier Attributes

name

Simple name assigned to the port when it is created. This name is passed to the Transport layer as the client name in a call to open a port.

22.4.3 Status Attributes

accept mode (Tru64 UNIX)

Default: None

Value: Immediate or deferred

If accept mode is *immediate*, Session Control automatically accepts the connection before activating the end user. If accept mode is *deferred*, it is up to the end user to accept or reject the connection.

auto disconnect (Tru64 UNIX)

Default: None

Value: True or false

True if Session Control will abort the transport connection for this port if Transport determines the network is partitioned.

client

Default: None

Value: Local-entity-name

Network management name specified by the user of the port when it was opened.

data abstraction (Tru64 UNIX)

Default: None

Value: Message or stream

Type of data transfer interface the application uses.

direction

Specifies whether the port is open to initiate an outgoing transport connection or to receive an incoming one.

incoming Port was opened to handle an incoming transport connection.

outgoing Port is open to initiate an outgoing transport connection.

unknown The port status is unknown at this time.

listening The port is open to receive incoming transport connections.

Session Control Module

22.4 session control port

incoming network priority (OpenVMS)

Default: None **Value:** 0–255

Incoming network priority value received with incoming connect events.

listening parent port (Tru64 UNIX)

Default: None **Value:** Local-entity-name

Name of the Session Control port that this port came from as the result of a `PollIncoming` on the parent port.

local end user address

Address assigned by the user of the port when it was opened. On outgoing connections this value is sent in the source name field of the connection request; on incoming connections this value is received in the destination name field of the request.

node name sent

Node name that was received or sent in the connect request.

outgoing network priority (OpenVMS)

Default: None **Value:** 0–255

Outgoing network priority value passed to transport.

process identifier (OpenVMS)

Default: None **Value:** Hex string

The process ID (PID) of the process that owns the session port.

programming interface (Tru64 UNIX)

Default: None **Value:** Phase IV or DECnet-Plus

Programming interface the DECnet application uses. For Tru64 UNIX, this is the socket interface.

proxy requested (Tru64 UNIX)

Default: None **Value:** True or false

True if the request proxy bit was turned on in the connect request that was received or sent.

queued connects (Tru64 UNIX)

Default: None **Value:** Integer

Number of connect requests pending that `PollIncoming` has not dequeued yet.

receive queue (Tru64 UNIX)

Default: None **Value:** Integer

Number of octets of unread data queued.

remote end user address

Address of the remote end user of the port. This value was either sent in the destination name field of an outgoing connection request or received in the source name field of an incoming connection request. If the value of the

Session Control Module 22.4 session control port

direction attribute is incoming or unknown and no connection request has been received, the value of this attribute is null.

send queue (Tru64 UNIX)

Default: None

Value: Integer

Number of octets of unsent data queued.

transport port

Default: None

Value: Local-entity-name

Network management name of the transport port being used by this session control port.

version sent

Version that was received or sent in the connect request.

Session Control Module

22.5 session control proxy (Tru64 UNIX)

22.5 session control proxy (Tru64 UNIX)

A session control proxy entity stores the information that grants remote users proxy access to given application subentity instances. See Chapter 4 for further information about proxy access.

Syntax

```
add [node node-id] session control proxy name {application [set of simple names] | source end users [set of records] }
```

```
create [node node-id] session control proxy name
```

```
delete [node node-id] session control proxy name
```

```
remove [node node-id] session control proxy name {applications [set of simple names] | source end users [set of records] }
```

```
set [node node-id] session control proxy name
```

```
show [node node-id] session control proxy name [all [attributes] | all characteristics | all counters | all identifiers | all status ]
```

22.5.1 Characteristic Attributes

applications

Default: None

Value: Set of simple name

Set of application identifiers, one of which must match the application requested. If this attribute value is null, any requested application will match.

source end users

Default: None

Value: Set of record

Set of remote end users for whom this proxy entry applies. An unspecified end user implies all end users on the node specified in the same record. The record format has two fields: *node* which has a data type of fullname, and *end user* which has a data type of end-user-specification.

target user

Default: None

Value: Latin1String

Local user name under which access is granted.

type

Default: Explicit

Value: Explicit or default

Type of proxy entry: *explicit* means that the destination the user requested in the connect request must match the target user for this entry; *default* means if no *explicit* entry matches, this entry will be tried. An *explicit* proxy entry matches before a *default* one.

22.5.2 Counter Attributes

creation time

Time the entity was created and associated counter attributes were zero.

used

Number of times this proxy entry was used to gain access to one of the applications.

22.5.3 Identifier Attributes

name

Simple name assigned to a particular entity instance. The name is the management identifier for the proxy database entry and is kept unique among the entries in this database maintained by Session Control.

22.5.4 Status Attributes

last time used

Last time this proxy entry was used to gain access to one of the applications.

22.5.5 Exception Messages

For create:

already exists

A session control proxy entity already exists.

Session Control Module

22.6 session control tower maintenance

22.6 session control tower maintenance

A session control tower maintenance entity stores information about entries in the tower maintenance database. A tower maintenance entity is created automatically when a client issues a `dnaKeepMeHere` call, using the programming interface. The *name* refers to the tower maintenance entity managed by this command.

Syntax

```
delete [node node-id] session control tower maintenance name
```

```
show [node node-id] session control tower maintenance name [all [attributes] | all counters | all identifiers | all status ]
```

```
update [node node-id] session control tower maintenance name
```

22.6.1 Commands

update

Updates tower maintenance entity.

22.6.2 Counter Attributes

creation time

Time this entity was created.

update failures

Number of times this entity detected an update failure event.

update successes

Number of times the `DNA$Towers` attribute of the `DECdns` object name associated with this entity has been successfully updated.

22.6.3 Identifier Attributes

name

Full-name assigned to the tower maintenance entity when it is created.

22.6.4 Status Attributes

client

Network management name of the user who issued the `keepmehere` call that resulted in the creation of this entity.

higher towers

Set of higher towers that was passed in the `keepmehere` call that created this entity.

last failure exception (Tru64 UNIX)

Reason for the most recent update failure. If no update for this subentity ever failed, then it is zero.

last failure reason

`DECdns` error code that indicates the reason for the last update failure.

last successful update

Time of the last successful update to the `DNA$Towers` attribute for the specified entity. On OpenVMS, if no update for this subentity ever failed, then it is zero.

Session Control Module

22.6 session control tower maintenance

last update completed

Time that the last attempt to update the DNA\$Towers attribute completed (successfully or not).

last update started

Time that the last attempt to update the DNA\$Towers attribute for the specified entity was initiated.

uid

Entity's unique identifier, which is generated when the entity is created.

user (Tru64 UNIX)

User name of the user who created this tower maintenance subentity with the keepmehere procedure call. This is different from client, which refers to a local entity name.

22.6.5 Event Messages

update failure

Generated each time an attempt to update a DNA\$Towers attribute fails.

Session Control Module

22.7 session control transport service

22.7 session control transport service

A session control transport service entity stores information about modules in the Transport layer that support Session Control. The *transport-name* refers to the transport service managed by this command.

Syntax

```
create [node node-id] session control transport service transport-name {protocol protocol-id | tsel TSEL
}

delete [node node-id] session control transport service transport-name

show [node node-id] session control transport service transport-name [all [attributes] | all counters |
all identifiers | all status ]
```

22.7.1 Arguments

These arguments apply only to the create directive.

protocol *protocol-id*

Transport protocol to be used by this transport service.

'04'H This transport service uses the NSP transport protocol.

'05'H This transport service uses version 1 of the OSI transport protocol.

tsel *TSEL*

Transport selector used by the OSI transport module to bind incoming connection requests to Session Control. The default value is the hexadecimal representation of "DEC0." This argument is not applicable for NSP transport.

22.7.2 Counter Attributes

creation time

Time the entity was created.

22.7.3 Identifier Attributes

name

Simple name assigned to the transport service when it is created.

22.7.4 Status Attributes

protocol

Transport protocol used by this transport service, as specified by the user when this service was created. (See the create command description for a list of possible values.)

tsel

Transport selector used by the OSI Transport Module to bind incoming connection requests to Session Control. For Tru64 UNIX, The TSEL value is specified in a create command. This attribute is not applicable for NSP transport.

22.7.5 Exception Messages

For create:

already exists

The session control transport service entity already exists.

duplicate protocol

The session control transport service entity fails on creation because the protocol already exists.

protocol not supported

The session control transport service entity fails on creation because the protocol is not supported by this module.

wrong state (Tru64 UNIX)

This entity cannot be deleted while there are connections using this transport.

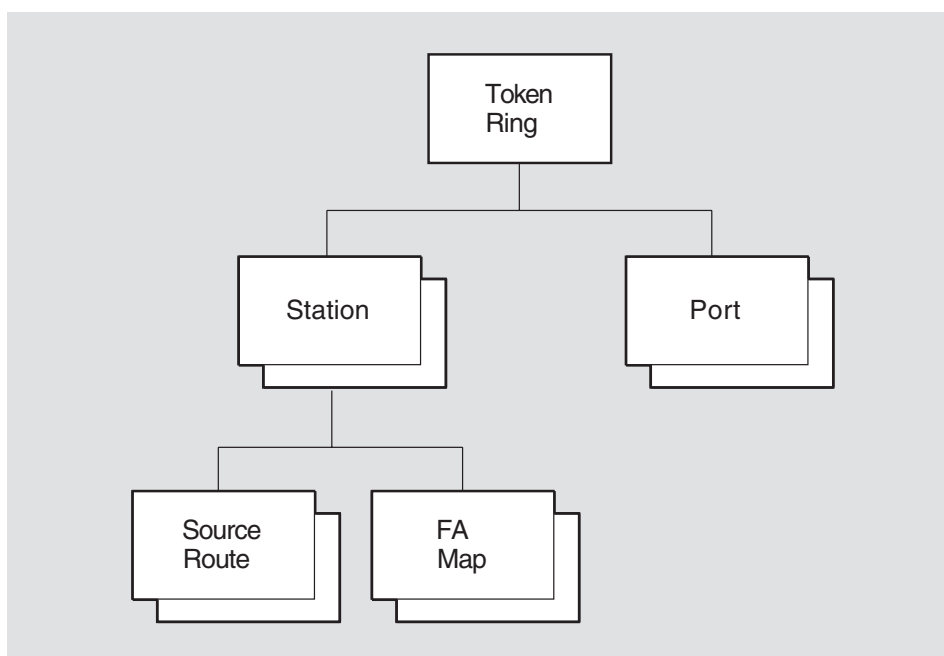
Token Ring Module (Tru64 UNIX)

This chapter describes all the commands you can use to manage the entities that constitute the IEEE 802.5/Token Ring module. The Token Ring module implements one of multiple possible Link level/Physical level modules in the OSI layered architecture model.

The DNA IEEE 802.5/Token Ring Data Link provides either a 4- or 16-Mb/s local area network (LAN). It provides communication services for multiple concurrent users. The services provided are logical link control (LLC), mapped Ethernet and station management (SMT) services.

Figure 23–1 shows the hierarchical relationship of the entities that constitute the Token Ring module.

Figure 23–1 Hierarchy of Token Ring Module Entities



LKG-8672-92R

Token Ring Module (Tru64 UNIX)

The DNA IEEE 802.5/Token Ring module incorporates the functions and operations defined in the IEEE 802.5 Token Ring Access Method, parts of the ISO 8802-1 (IEEE 802.1) Addressing, Internetworking and Network Management, and parts of the ISO 8802-2 (IEEE 802.2) Logical Link Control (LLC) specifications. To this, the DNA 802.5/Token Ring Data Link adds features often needed by users of the data link. A typical such user is the Network layer of the DIGITAL Network Architecture (DNA).

23.1 token ring

The `token ring` entity is the top-level entity in the hierarchy of entities belonging to the Token Ring module.

Syntax

`create [node node-id] token ring`

`delete [node node-id] token ring`

`show [node node-id] token ring [all [attributes] | all characteristics]`

23.1.1 Characteristic Attributes

version

Default: Current version number

Version number of the Token Ring architecture specification to which the implementation conforms. You cannot modify this characteristic.

23.1.2 Exception Messages

For `create`:

already exists

A token ring entity already exists.

For `delete`:

has children

Cannot delete while subentities exist.

Token Ring Module (Tru64 UNIX)

23.2 token ring station

23.2 token ring station

A token ring station entity manages a Token Ring controller. Each station corresponds to a particular instance of logical link control (LLC), medium access control (MAC), and physical attachment. The Token Ring data link can be monitored and controlled through DNA network management. The *station-name* refers to the station managed by this command.

Syntax

```
create [node node-id] token ring station station-name communication port device-name
delete [node node-id] token ring station station-name
disable [node node-id] token ring station station-name
enable [node node-id] token ring station station-name mode station-mode transparent source routing
function-mode
show [node node-id] token ring station station-name [all [attributes] | all characteristics | all counters |
all identifiers | all status ]
```

23.2.1 Arguments

communication port *device-name*

A Tru64 UNIX device name to assign to this station. The name must be in the format *ddn*, where *dd* is the device name prefix and *n* is the device number.

mode *station-mode*

The mode this station will be enabled to. Can be either normal (default) or loopback.

transparent source routing *function-mode*

Indicates whether the transparent source routing functionality will be enabled. The default is enabled. This value cannot be disabled.

23.2.2 Characteristic Attributes

aging timeout

Default: 60 seconds **Value:** 1–65535

Controls the timeout of the source routing information for nodes with which the local node has not recently communicated.

communication port

Name of the hardware port associated with this station, taken from the corresponding argument in the create directive. You cannot modify this characteristic.

discovery timeout

Default: 1 second **Value:** 1–255

Controls the timeout of the source routing discovery process.

etr

Default: True **Value:** True or false

Determines if Early Token Release (ETR) is in use on this station. ETR may be supported only on 16-Mb/s media. This attribute can only be set in the off state.

maximum source routes

Default: 1024 **Value:** 256–2048

The maximum number of source route subentities this station will buffer. Can only be set in the *off* state.

monitor contender

Default: False **Value:** True or false

Determines if the station will try to become the active monitor, if a lower addressed station starts the monitor contention process. This attribute can only be set in the *off* state.

ring speed

Default: Unknown **Value:** 4 or 16 Mbps

The data rate of the media. Can only be set in the *off* state.

station address

Default: Hardware ROM address **Value:** None

The desired station address. The bits in each byte of an address must be reversed, for example, 08-00-2b-11-22-33 would become 10-00-d4-88-44-cc. This attribute can only be set in the *off* state.

23.2.3 Counter Attributes

Unless stated otherwise, counts include both normal and multicast traffic and all protocol types, service access points (SAPs), and protocol identifiers.

abort delimiters sent

Number of times an abort delimiter was sent while transmitting.

auto-removal failures

Number of times a failure during the beacon auto-removal process was detected and the station removed itself from the ring.

burst errors

Number of times a lack of transitions was detected on the physical media.

creation time

Time at which the station entity was created.

explorer frames received

Number of source routing (SR) explorer frames received by the source route entities.

explorer frames sent

Number of source routing (SR) explorer frames sent by the source route entities.

frame copied errors

Number of individually addressed frames received with the Address Recognized status bit = 1.

frequency errors

Number of times an error was detected in the incoming signal frequency.

Token Ring Module (Tru64 UNIX)

23.2 token ring station

insertion failures

Number of times a ring insertion operation has failed.

internal errors

Number of times a recoverable internal error was recognized.

line errors

Number of times a CRC error or a non-data symbol in a frame or token with the E bit = 0 was detected.

lobe wire faults

Number of times an open or shorted lobe data path was detected and the station removed itself from the ring.

lost frames

Number of times this station has transmitted a frame and has failed to receive it for stripping before the Timer Return to Repeat (TRR) timer expired.

multicast octets received

Number of octets successfully received in multicast frames of type LLC. (The count does not include the MAC envelope.)

multicast octets sent

Number of octets successfully sent in multicast frames of type LLC. (The count does not include the MAC envelope.)

multicast pdus received

Number of multicast frames successfully received of type LLC.

multicast pdus sent

Number of multicast frames successfully sent of type LLC.

octets received

Number of octets successfully received in frames of type LLC.

octets sent

Number of octets successfully sent in frames of type LLC.

pdus received

Number of frames successfully received of type LLC.

pdus sent

Number of frames successfully sent of type LLC.

receive data overruns

Number of times a frame was lost due to system or adapter transfer failure.

receiver congestions

Number of frames recognized as matching one of this station's individual, group, or functional addresses, but could not be received for lack of buffers in the adapter.

remove frames received

Number of times a remove MAC frame has been received and the station removed itself from the ring.

ring beaconings

Number of times the condition of receiving or transmitted beacon frames was detected due to a hard error.

ring failures

Number of times the station left the ring due to failure.

ring recoveries

Number of times detected the ring is in the monitor contention process. Indicates that the ring has attempted to recover from a soft error problem.

ring poll errors

Number of times an error was detected in the A and C bits during the ring poll process.

route discovery failures

Number of times the route discovery process failed to find a route to another station.

selftest failures

Total number of times a self-test of the station detected an error.

signal losses

Number of times detected loss of signal on the physical media.

single station conditions

Number of times detected being the only station in the ring.

soft error reports sent

Number of times sent a report error MAC frame to the ring error monitor.

unavailable station buffers

Number of times a frame was discarded because no station level buffers were available.

unavailable user buffers

Number of times a frame was discarded because no user buffer was available.

unrecognized individual destination pdus

Number of times a received individually addressed LLC frame was discarded because there was no data link port with a matching SAP, SNAP PID, or Ethernet protocol type.

unrecognized multicast destination pdus

Number of times a received LLC frame addressed to an enabled group or functional address was discarded because there was no data link port with a matching SAP, SNAP PID, or Ethernet protocol type.

token errors

Number of times when this station (when Active Monitor [AM]) has transmitted a new token due to errors on the ring.

transmit failures

Number of times a transmit error, other than underrun occurred. Transmit error reasons can be tracked by event reasons, or by observing other 802.5 counters.

Token Ring Module (Tru64 UNIX)

23.2 token ring station

transmit underruns

Number of times a transmit underrun occurred.

transmitting beacons

Number of times initiated transmitting beacon frames.

23.2.4 Identifier Attributes

name

Simple name assigned to the station when it is created.

23.2.5 Status Attributes

authorized access priority

The maximum transmit priority allowed for this station. The value is set by the ring parameter server.

authorized function classes

The bit map of the authorized function classes for this station.

functional address

The functional address bit map enabled in the adapter for the reception on this station.

group addresses

The set of group addresses enabled in the adapter for reception on this station.

insert error reason

Reason code for an insertion error if there was a failure to insert into the ring, or insertion successful if no error.

no open

An error occurred during the insertion phase.

bad parameters

Invalid options specified to the adapter to insert into the ring.

lobe fault

Lobe test fault or MAC frames were received before physical insertion.

signal loss

Signal loss condition was detected during the insertion phase.

timeout

Logical insertion onto the ring failed before insertion timer expired.

ring failure

Unable to receive its own ring purge MAC frames after becoming the active monitor.

ring beaconing

A beacon MAC frame was received after physical insertion onto the ring.

duplicate address

Another station on the ring already has the address this station wishes to use.

parameter server error

A ring parameter server (RPS) is present on the ring but does not respond to a request initialization MAC frame.

remove frame received

A remove station MAC frame was received during the insertion process.

insertion successful

The insertion phase was successful.

link state

Data link state of this ring station.

off

Station is not on the ring.

running	Station is available to the user for processing.
initializing	Station is in process of inserting into the ring.
recovery	Station is beaconing.
contending	Station is participating in the monitor contention process.
broken	Station has failed the insertion process.

MAC address

The currently active station address value for which the data link is receiving an individually addressed frame.

nearest upstream neighbor

The MAC address of the last known upstream ring neighbor as heard from the ring poll process.

physical drop number

The physical drop number assigned by the ring parameter server.

receive mode

The receive mode of the station. Normal or promiscuous.

ring error reason

Reason code for the most recent ring error detected by this station or no error if none has occurred.

no error	Successful operation, no error has occurred.
ring in recovery	Claim token MAC frames were observed on the ring.
single station	It sensed this is the only station on the ring.
remove frame received	A remove ring station MAC frame request was received and the station has deinserted from the ring.
auto-removal failure	The auto-removal process has failed and the station has deinserted from the ring.
lobe fault	An open or short circuit in the lobe wire cable was detected.
transmitting beacon	Beacon frames are transmitted to the ring.
soft error frame sent	A report error MAC frame has been transmitted.
beaconing condition	Beacon frames are presently transmitted or received to or from the ring.
signal loss	A loss of signal was detected on the ring.
open in progress	Station is in process of inserting into the ring.

ring number

The local ring number as received from the ring parameter server.

ROM address

The IEEE universally administered address present in the ROM of the adapter.

transparent source routing

State of transparent source routing support.

state

Operational state of the station.

uid

Entity's unique identifier, which is generated when the entity is created.

Token Ring Module (Tru64 UNIX)

23.2 token ring station

23.2.6 Event Messages

abort delimiter sent

Station has transmitted an abort delimiter.

auto-removal failure

Self-test failed following a beacon auto-removal process.

burst error

Absence of transitions on the physical media.

frame copied error

This station received a frame addressed to its MAC address with the A and C bits set.

internal error

Station has detected an internal error.

line error

CRC error or Manchester violation detected in a token or frame with the E bit = 0.

lobe wire fault

Short or open circuit detected on cable.

lost frame error

TRR timer expired while this station was transmitting.

receive data overrun

A receive overrun hardware error was detected.

remove frame received

Remove ring station MAC frame received.

ring beacon initiated

The station started the beacon process.

ring beaconing

Beacon MAC frames being sent or received.

ring poll error

Failure to properly set A and C bits during the ring poll process.

ring recovery

Station is receiving or transmitting claim token MAC frames.

route discovery failure

Route discover timer expired.

selftest failure

The implementation-specific self-test procedures have detected a failure.

signal loss

Loss of signal on the physical media.

single station detected

The only station participating in the ring poll process.

soft errors reported

Soft error report MAC frame sent to ring error monitor.

station buffer unavailable

No buffer was available to receive a frame.

token error

This station, as active monitor, has had to transmit a new token following an error condition.

transmit failed

Failure to transmit operation other than underrun.

transmit underrun

Transmit failed due to underrun.

unrecognized individual pdu destination

An individually addressed frame with unrecognized DSAP or protocol ID.

unrecognized multicast pdu destination

A globally addressed frame with unrecognized DSAP or protocol ID.

user buffer unavailable

Data link user did not supply a receive buffer.

23.2.7 Exception Messages

For create:

already exists

A token ring station entity already exists.

communication port in use

A communication port is already reserved by another entity.

invalid communication port

Cannot run Token Ring data link on this communication port.

For delete:

wrong state

Failure to delete the token ring station entity because the station must be disabled before deletion.

Token Ring Module (Tru64 UNIX)

23.3 token ring port

23.3 token ring port

A token ring port entity represents an access point to the service offered by the Token Ring module. A client transmits and receives data through a port. Ports are created and deleted by client use of open and close service interface procedures. The *port-name* refers to the port managed by this command.

Syntax

```
show [node node-id] token ring port port-name [all [attributes] | all counters | all identifiers |  
all status ]
```

23.3.1 Counter Attributes

creation time

Time at which the port subentity was created.

multicast octets received

Number of multicast user data octets successfully received and available to the data link user. This counter is optional.

multicast octets sent

Number of multicast user data octets successfully transmitted using the port. This counter is optional.

multicast pdus received

Total number of multicast frames successfully received and available to the data link user.

multicast pdus sent

Number of multicast frames successfully transmitted using the port. This counter is optional.

octets received

Total number of user data octets successfully received and available to the data link user. This counter is optional.

octets sent

Number of user data octets successfully transmitted using the port. This counter is optional.

pdus received

Total number of frames successfully received and available to the data link user.

pdus sent

Total number of user frames successfully transmitted using the port.

unavailable user buffers

Number of times no user buffer was available at the port for an incoming frame.

23.3.2 Identifier Attributes

name

Simple name assigned to the port when it is created.

23.3.3 Status Attributes

client

Name specified by the data user link when the port is opened.

ethernet protocol types

Set of Ethernet protocol types that are recognized for this port.

FA map mode

If set to enabled, indicates that functional address mapping is being performed. Specified by the user when the port is opened.

FA-GA map

Set of functional-to-group address/PID mappings for this port.

length present

Indicates whether a length field is used in Ethernet format frames sent or received on this port.

llc sap addresses

Set of individual and group LLC SAP addresses that are recognized for this port.

llc service

The LLC PDU processing the data link user requires from the port. Specified by the user when the port is opened.

mac addresses

Set of individual and multicast MAC addresses that are recognized for this port.

receive mode

If set to promiscuous, indicates if the port is to receive all frames regardless of MAC address. Or, on ports of type LLC, regardless of Ethernet protocol type, SNAP protocol identifier, or LLC SAP address.

station

Name of the station subentity associated with this port. Specified by the user when the port is opened.

SNAP protocol identifiers

Set of SNAP protocol identifiers that are recognized for this port.

source routing mode

If set to transparent, indicates that transparent source routing is in effect. Specified by the user when the port is opened.

type

Type of port specified by the user when the port is opened.

uid

Entity's unique identifier, which is generated when the entity is created.

Token Ring Module (Tru64 UNIX)

23.4 source route

23.4 source route

A source route entity describes an entry in the source routing database. In transparent source routing, the source route entities are typically created and enabled by the parent Station entity. The *sourceroute-id* refers to the source route entity managed by this command.

Syntax

delete [node *node-id*] token ring station *station-name* source route *sourceroute-id*

reset [node *node-id*] token ring station *station-name* source route *sourceroute-id*

show [node *node-id*] token ring station *station-name* source route *sourceroute-id* [all [attributes] | all counters | all identifiers | all status]

23.4.1 Commands

reset

Resets the source route entity. It causes the state of the entity/database entry to become STALE. This will typically cause a source route discovery to occur upon the next transmitted frame with this destination.

23.4.2 Counter Attributes

creation time

Time at which the source route entity was created.

23.4.3 Identifier Attributes

LANaddress

The MAC address of the entity's destination station.

23.4.4 Status Attributes

routing information

Source routing information to be used when communicating with the entity's destination station.

state

State of the source route entity.

no route

No path known to the entity's destination address.

on ring

Destination station on the local Token Ring. No source routing information needed.

have route

Destination station on a remote Token Ring. Entity contains valid source routing information.

rediscovering

Route discovery on the extended Token Ring is in progress.

stale

Had source route but the aging timer expired.

weak route

Entity was created as a result of a spanning tree explorer multicast frame.

uid

Entity's unique identifier, which is generated when the entity is created.

23.5 FA map

The functional address mapping (FA map) entities describe the default functional address-global address mapping to be applied to ports that are created with the same protocol identifiers. The *famap-id* refers to the FA map entity managed by this command.

Syntax

```
create [node node-id] token ring station station-name FA map famap-id
delete [node node-id] token ring station station-name FA map famap-id
show [node node-id] token ring station station-name FA map famap-id [all [attributes] | all
characteristics | all counters | all identifiers | all status ]
```

23.5.1 Characteristic Attributes

functional address

Functional address used to send or receive frames on the Token Ring.

group address

Group address used for sending or receiving frames.

SAP address

LLC SAP address protocol of frames to be mapped. If SNAP SAP (AA) then the SNAP PID applies.

SNAP PID

SNAP protocol identifier for SNAP SAP frames.

23.5.2 Counter Attributes

creation time

Time at which the FA map entity was created.

23.5.3 Identifier Attributes

name

Simple name assigned to the FA map entity when it is created.

23.5.4 Status Attributes

uid

Entity's unique identifier, which is generated when the entity is created.

23.5.5 Exception Messages

For create:

already exists

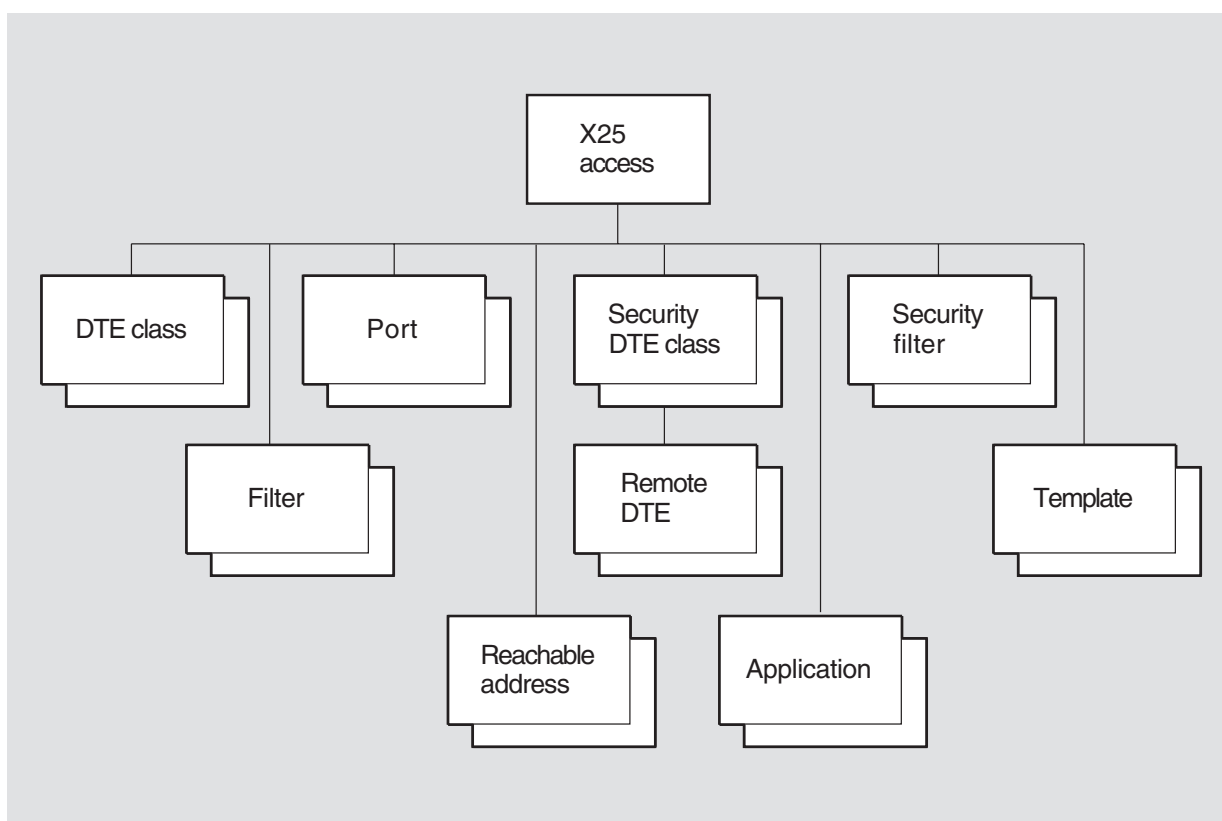
An FA map entity with the same identifier already exists.

X.25 Access Module

This chapter describes all the commands you can use to manage the entities that constitute the X.25 Access module. The X.25 Access module resides in the Application layer of the DIGITAL Network Architecture (DNA). It interfaces with the X.25 Protocol, X.25 Client, and X.25 Server modules to provide X.25 services and functions as described in the DNA X.25 Access Architecture.

Figure 24–1 shows the hierarchical relationship of the entities that constitute the X.25 Access module.

Figure 24–1 Hierarchy of X.25 Access Module Entities



LKG-4558-92R

X.25 Access Module

24.1 x25 access

24.1 x25 access

The x25 access entity is the top-level entity in the X.25 Access module hierarchy of entities.

Syntax

create [node *node-id*] x25 access [maximum active ports *integer*]

delete [node *node-id*] x25 access

disable [node *node-id*] x25 access

enable [node *node-id*] x25 access

show [node *node-id*] x25 access [all [attributes] | all characteristics | all counters | all status]

24.1.1 Arguments

maximum active ports

Maximum number of ports that can be created on this system. This argument is optional.

24.1.2 Characteristic Attributes

maximum active ports

Default: Implementation specific

Value: Implementation specific

Total number of ports that can be active simultaneously. You cannot modify this characteristic. It is supplied as an argument to the create directive.

version

Default: Current version number

Version number of the X.25 architecture specification to which the implementation conforms. You cannot modify this characteristic.

24.1.3 Counter Attributes

creation time

Time at which this entity was created.

incoming calls blocked

Number of incoming calls that have been cleared at the X.25 Access module because of security failures.

incoming calls failed

Number of incoming calls that have been cleared at the X.25 Access module for reasons other than security failures.

outgoing call configuration errors

Number of calls that have failed due to misconfiguration of security management databases.

outgoing calls blocked

Number of outgoing calls that have been cleared at the X.25 Access module because of security failures.

pvc accesses blocked (Tru64 UNIX)

Number of PVC accesses that have failed due to security blocking.

times port terminated

Number of times the port terminated event has occurred.

24.1.4 Status Attributes

active ports

Sum of the number of SVCs on which a call is either being set up or is in the data phase. The number of permanent virtual circuits (PVCs) that have been allocated to users.

state

Status of the x25 access entity.

off The x25 access entity is disabled.

on The x25 access entity is enabled.

uid

Entity's unique identifier, which is generated when the entity is created.

24.1.5 Event Messages

incoming call blocked

Generated when an incoming call from the X.25 Protocol module (or from the X.25 Client module in an accessing system) is blocked and cleared by the X.25 Access module's security mechanisms.

Arguments:

filter Name of the selected filter.

group Name of the x25 protocol group entity corresponding to the BCUG (bilateral closed user group) that matches the CUG (closed user group) number specified in the Call packet. This argument is present only when the call is delivered by means of a BCUG.

inbound dte class Name of the DTE (data terminal equipment) class associated with the incoming call by the x25 protocol dte entity.

security dte class This DTE class identifies the security dte class entity to be used for remote DTE matching.

remote dte Name of the remote dte entity whose remote address prefix was selected by the matching algorithm. This argument is not present when the call is delivered by means of a BCUG.

sending dte DTE address of the calling DTE. This argument is not present when the call is delivered by means of a BCUG.

incoming call failed

Generated when an incoming call from the X.25 Protocol module (or from the X.25 Client module in an accessing system) is cleared by the X.25 Access module.

Arguments:

group Name of the x25 protocol group entity corresponding to the BCUG that matches the CUG number specified in the Call packet. This argument is present only when the call is delivered by means of a BCUG. Since group entities do not exist at accessing systems, this argument is present only at connector systems.

reason Reason why the call failed.

insufficient resources The X.25 Access module has insufficient resources to handle the call.

X.25 Access Module

24.1 x25 access

no filters	The incoming call failed to match any of the active filters.
security dte class not found	The DTE class of the incoming call has an invalid security DTE class associated with it.
security filter not found	The filter on which the incoming call was matched has an invalid security filter associated with it.
security dte class	Name of the security dte class entity that was referenced by the selected dte class entity. This argument is present only if the reason for the event is security dte class not found.
security filter	Name of the security filter entity that was referenced by the selected dte class entity. This argument is present only if the reason for the event is security filter not found.
sending dte	DTE address of the remote DTE.

in use filter deleted

Generated when an active filter has been deleted by the use of the NCL delete x25 access filter command.

Arguments:

filter	The name of the deleted filter.
listener	The name of the application associated with the filter.

outgoing call blocked

Generated when the X.25 Access module's security mechanisms prevent a client from making an outgoing call.

Arguments:

blocked by	Specifies where the security blocking occurred. gateway security Blocked by the connector system. local security Blocked by the accessing system.
client	Name of the entity that made the call.
destination dte	Specifies the called DTE address. This argument is not present if the call specifies a bilateral closed user group (BCUG).
dte class	Name of the DTE class specified in the call. This argument is not present if the call specifies a bilateral closed user group (BCUG).
group	Name of the x25 protocol group entity specified in the call. This argument is present only if the call specifies a BCUG. Since group entities do not exist at accessing systems, this argument is present only on connector systems.
remote port	DNS name of the entity that made the call. If the call is blocked by connector security, this identifies the X.25 Access module's client on the accessing system. This argument is mandatory only if the client of the X.25 Access module is the X.25 Server module.
security DTE class remote DTE	Name of the remote dte entity whose remote address prefix was selected by the matching algorithm. This argument is not present if the call is made to a BCUG.
source	(OpenVMS only) Name of the entity that made the call. This identifies the client of the X.25 Access module at the accessing system when the call is blocked by security on a connector system. This argument is mandatory only when the client of the X.25 Access module is the X.25 Server module.

outgoing call configuration error

Generated when a call fails because of misconfiguration of the security databases.

Arguments:

reason	Specifies why the call failed.
security dte class not found	The DTE class of the outgoing call must have a valid security DTE class associated with it.
security dte class	Name of the security dte class entity that was referenced by the selected dte class entity.

port terminated

Generated whenever a port is closed. The event arguments simply reflect the attributes of the port at the time it was terminated.

Arguments:

call association	Name of the x25 access filter entity that matched an incoming call, or the name of the x25 access template entity used in making an outgoing call. This attribute is supported only if the status attribute port type is set to switched and the status attribute state is not set to open.
call direction	Direction of the call on the SVC (incoming or outgoing). This attribute is supported only if the status attribute port type is set to switched and the status attribute state is not set to open.
calling address extension	Calling NSAP address that is carried transparently in an incoming or outgoing call packet. This attribute is supported only if the status attribute port type is set to switched and the status attribute state is not set to open.
calling dte address	Calling DTE address in a call request or incoming call packet (depending on the value of the status attribute call direction). This attribute is supported only if the status attribute port type is set to switched and the status attribute state is not set to open.
channel	Channel number of the underlying virtual circuit. This status is valid only if the port is at a connector system and the status attribute state is not set to open.
client	Name of the entity that made or accepted the call.
data octets received	Number of data octets received at the port.
data octets sent	Number of data octets sent by the port.
dte class	Name of the DTE class to which the DTE of the underlying virtual circuit belongs. This attribute is supported only if the status attribute state is not set to open.
fast select	Specifies whether fast select is in operation for the call. This attribute is supported only if the status attribute port type is set to switched and the status attribute state is not set to open. Refer to the fast select status attribute under x25 access port for more information.
group	Name of the x25 protocol group entity (that is, CUG) associated with an incoming or outgoing call. This attribute is supported only if the status attribute port type is set to switched and the status attribute state is not set to open.
incoming packet size	Packet size, in octets, for incoming data on a virtual circuit. This attribute is supported only if the status attribute state is not set to open.
incoming throughput class	Throughput class for incoming data on a virtual circuit.

X.25 Access Module

24.1 x25 access

incoming window size	Window size for incoming data on a virtual circuit.
local dte	Name of the DTE entity associated with the call.
originally called address	If a call is redirected, this is the DTE address from which the call was redirected; otherwise, the address is null. This status is valid only if the status attribute <code>redirect reason</code> is not not redirected. This attribute is supported only if the status attribute <code>port type</code> is set to switched and the status attribute <code>state</code> is not set to open.
outgoing packet size	Packet size, in octets, for outgoing data on a virtual circuit. This attribute is supported only if the status attribute <code>state</code> is not set to open.
outgoing throughput class	Throughput class for outgoing data on a virtual circuit.
outgoing window size	Window size for outgoing data on a virtual circuit. This attribute is supported only if the status attribute <code>state</code> is not set to open.
pdus received	Number of PDUs received at the port.
pdus sent	Number of PDUs sent by the port.
protocol identifier	First four octets of call data in the call. This attribute is supported only if the status attribute <code>port type</code> is set to switched and the status attribute <code>state</code> is not set to open.
pvc	Name of the PVC to which this port belongs. This attribute is present only if the status attribute <code>port type</code> is set to permanent.
redirect reason	Specifies whether a call has been redirected and, if so, the reason for the redirection. This attribute is supported only if the status attribute <code>port type</code> is set to open. Refer to the <code>redirect reason</code> status attribute under <code>x25 access port</code> for more information.
reference time	Time at which the port was created (if the circuit is a PVC), or the time at which the port was first used to send or receive a call at the X.25 user interface (if the circuit is an SVC).
remote port	Name of the peer entity with which this port is communicating.
reserved	If the port is associated with a reserved logical channel number (LCN), this specifies the name of the local DTE entity on which the LCN is reserved. A null string indicates that the port is not associated with a reserved LCN. This attribute is supported only if the status attribute <code>port type</code> is set to switched and the status attribute <code>state</code> is not set to open.
reverse charging	Specifies whether reverse charging is in operation for the call. This attribute is supported only if the status attribute <code>port type</code> is set to switched and the status attribute <code>state</code> is not set to open.
segments received	Number of segments of data received by this port.
segments sent	Number of segments of data sent by this port.
state	Status of the <code>x25 access port</code> entity. Refer to the <code>state</code> status attribute under <code>x25 access port</code> for more information.
target address extension	Called NSAP address that is transparently carried in an incoming or outgoing call packet. This attribute is supported only if the status attribute <code>port type</code> is set to switched and the status attribute <code>state</code> is not set to open.
target dte address	Called DTE address in a call request or incoming call. This attribute is supported only if the status attribute <code>port type</code> is set to switched and the status attribute <code>state</code> is not set to open.
type	Specifies that the port represents an SVC (switched or permanent).

pvc access blocked

Generated when a client of the X.25 Access module is not allowed to access a PVC.

Arguments:

blocked by	Where the blocking occurred. gateway security At the connector system local security At the accessing system
client	Name of the entity that attempted to use the PVC.
pvc	Name of the PVC.
source	Name of the entity that attempted to use the PVC. This identifies the client of X.25 Access module at the accessing system when the call is blocked by security on a connector system. This argument is mandatory only when the client of the X.25 Access module is the X.25 Server module.

X.25 Access Module

24.2 x25 access application

24.2 x25 access application

An X25 access application entity defines an application to be executed for an incoming call. The *application-name* refers to the application managed by this command. An application type may be one of the following:

- X.25
- X.29
- X.29 Login

Syntax

add [node *node-id*] x25 access application *application-name* filters *set of simple-name*

create [node *node-id*] x25 access application *application-name*

delete [node *node-id*] x25 access application *application-name*

disable [node *node-id*] x25 access application *application-name*

enable [node *node-id*] x25 access application *application-name*

remove [node *node-id*] x25 access application *application-name* filters *set of simple-name*

set [node *node-id*] x25 access application *application-name* {account *latin1string* (Tru64 UNIX) | activation data *latin1string* (Tru64 UNIX) | file *filespec* | filters *set of simple-name* | maximum activations *integer* (Tru64 UNIX) | template *simple-name* (Tru64 UNIX) | type *application-type* | user *latin1string* }

show [node *node-id*] x25 access application *application-name* [all [attributes] | all characteristics | all identifiers | all status]

24.2.1 Characteristic Attributes

account (Tru64 UNIX)

Default: No service/account data **Value:** Latin1String

Default service or account identifier to be used when starting the applications process.

activation data (Tru64 UNIX)

Default: None **Value:** Latin1String

Data required to start the application process. This characteristic is optional. This attribute is not valid for an application of type X29 login.

file

Default: None **Value:** Filename

Indicates the file name or command that is associated with starting a process for the represented application. This attribute is not valid for an application of type X29 login.

filters

Default: None **Value:** Set of simple-names

Set of filters that are associated with filtering calls for either X.25 or X.29 applications represented by this entity.

maximum activations (Tru64 UNIX)

Default: 1 **Value:** 1–65535

Maximum number of concurrent activations of the represented application that are possible. This characteristic is optional.

template (Tru64 UNIX)

Default: No template **Value:** Simple-name

Template used by the application process to accept the incoming call. Attempting to set this attribute for an application of type X25 is not valid, and will generate a constraint error.

type

Default: X25(0) **Value:** Enumerated (see description)

Specifies the type of application.

X25(0)	This application operates in X.25 mode
X29(1)	This application operates in character mode.
X29 login(2)	This is an application of X.29 type devoted specifically to login sessions.

user

Default: No user ID **Value:** Latin1String

Default user identification to be used to start the application process. This attribute is not valid for an application of type X29 login.

24.2.2 Identifier Attributes

name

Simple name assigned to the application when it is created.

24.2.3 Status Attributes

state

Default: None **Value:** On(0), Off(1)

State of the application. This state can be changed by invoking the enable and disable directives.

24.2.4 Exception Messages

For enable:

filter in error

One or more of the filters named in the filters characteristic does not exist, or is in use.

insufficient information

One or more characteristics have not been specified.

non null file value

If type is X29 login, the file characteristic must have a null value.

non null user value

If type is X29 login, the user characteristic must have a null value.

X.25 Access Module
24.2 x25 access application

no resource available (Tru64 UNIX)
The X.25 application daemon is not running.

24.3 x25 access dte class

An x25 access dte class entity defines a named class of DTEs. The *class-name* refers to the class managed by this command. A DTE class may refer to either of the following:

- A group of local DTEs.
- A group of DTEs on a remote connector system.

Syntax

add [node *node-id*] x25 access dte class *class-name* local dtes *set of simple-name*

create [node *node-id*] x25 access dte class *class-name*, type *class-type* profile *profile-name*

delete [node *node-id*] x25 access dte class *class-name*

remove [node *node-id*] x25 access dte class *class-name* local dtes *set of simple-name*

set [node *node-id*] x25 access dte class *class-name* {account *latin1string* (OpenVMS) | DNIC *DTE address* | international prefix *DTE address* | local dtes *set of simple-name* | local prefix *DTE address* | node *full-name* (OpenVMS VAX) | outgoing session template *simple-name* (OpenVMS) | profile *latin1string* | security dte class *name* | service nodes *set of record* (OpenVMS I64, OpenVMS Alpha, and Tru64 UNIX) | strip DNIC *boolean* | type *class-type* | user *latin1string* (OpenVMS) }

show [node *node-id*] x25 access dte class *class-name* [all [attributes] | all characteristics | all identifiers | all status]

24.3.1 Arguments

profile *profile-name* (Tru64 UNIX)

Profile used to supply default values for the X.121 mapping attribute in this entity. This argument is optional.

type *class-type*

Type of DTE class. Can be specified as either local or remote. This argument is required.

24.3.2 Characteristic Attributes

account (OpenVMS)

Default: No service/account data **Value:** Latin1String

Default service or account data to be used when connecting to the X.25 server on the connector system specified by the node characteristic or service node characteristic.

This characteristic is supported only for DTE classes with type characteristic set to remote.

DNIC

Default: Supplied by profile **Value:** DTE address of 3 or 4 digits length

The first part of the network user address (NUA). This takes one of two forms: Either it is in the form of the data network identification code (DNIC) and is specified by four digits, or it is in the form of a data country code (DCC) and is specified by three digits. If no profile is specified, the default is null.

X.25 Access Module

24.3 x25 access dte class

international prefix

Default: Supplied by profile **Value:** DTE address of 1 digit only.

First digit of an X.121 address to indicate an international or internetwork call. If no profile is specified, the default is a null DTE address.

local dtes

Default: No names **Value:** Set of names

Names of the local x25 protocol dte entities that belong to this DTE class. Note that these DTE entities need not exist when their names are entered in this set; DTEs that do not exist when the DTE class is used are not considered when the DTE class is used for an outgoing call.

If an x25 protocol dte entity has status attribute state set to running when its name is added to local dtes, you must disable the DTE entity and reenable it (see the `disable x25 protocol dte` and `enable x25 protocol dte` commands) in order for the DTE to be considered when this DTE class is used for an outgoing call.

This characteristic is supported only for DTE classes with type characteristic set to local.

local prefix

Default: Supplied by profile **Value:** DTE address of 1 digit only.

First digit of a DTE address to indicate a local call. If no profile is specified, the default is a null DTE address.

node (OpenVMS VAX)

Default: No name **Value:** Fullname

Node name of the connector system on which the DTEs in this DTE class reside. Note that this characteristic is supported only if the service nodes characteristic is not supported.

This characteristic is supported only for DTE classes with type characteristic set to remote.

outgoing session template (OpenVMS)

Default: Default or no name (see description) **Value:** Simple-name

Name of the OSI transport template to be used by the X.25 client to connect to the X.25 server on the connector system. The default value `default` is valid only if OSI Session Control is being used.

This characteristic is supported only for DTE classes with type characteristic set to remote.

profile (Tru64 UNIX)

Default: No profile **Value:** Latin1String

Name of the profile that supplies the information required to perform X.121 mapping to or from a simple DTE address. The profile supplies the default values for the International prefix, Local prefix, DNIC and strip DNIC characteristics. This characteristic is specified by the `profile` argument in the `create` command.

X.25 Access Module

24.3 x25 access dte class

24.3.4 Status Attributes

usable dtes

Set of DTEs that are enabled and belong to this DTE class. For outgoing calls, a DTE is picked from this set if it is eligible (that is, if its status attribute state is set to running). If there is more than one eligible DTE, a round-robin algorithm is used to select one of the eligible DTEs. A DTE is added to the set when it is enabled, and is removed from the set when it is disabled (see the `enable x25 protocol dte` and `disable x25 protocol dte` commands).

24.3.5 Exception Messages

For delete:

inbound DTE class

The DTE class is referenced by an enabled DTE.

24.4 x25 access filter

An x25 access filter entity defines the criteria by which the destination of an incoming call is determined. The *filter-name* refers to the filter managed by this command.

Syntax

```
create [node node-id] x25 access filter filter-name
```

```
delete [node node-id] x25 access filter filter-name
```

```
set [node node-id] x25 access filter filter-name {call data mask hex-string | call data value hex-string | called address extension mask hex-string | called address extension value hex-string | called nsap nsap-address (Tru64 UNIX) | group simple-name | inbound dte class simple-name | incoming dte address dte-address | originally called address dte-address | priority integer | receiving dte address dte-address | redirect reason redirect-reason | security filter simple-name | sending dte address dte-address | subaddress range one-range-set (OpenVMS VAX) }
```

```
show [node node-id] x25 access filter filter-name [all [attributes] | all characteristics | all counters | all identifiers | all status ]
```

24.4.1 Characteristic Attributes

call data mask

Default: No mask

Value: Hex-string

Mask to be applied to call user data in an incoming call. The result is compared, octet by octet, with the call data value characteristic.

call data value

Default: No call user data

Value: Hex-string

Call user data value to be matched by this filter. This value is compared, octet by octet, with the masked call user data in the call request. This string must have the same length as the string specified for the call data mask characteristic.

called address extension mask

Default: No called address extension mask

Value: Hex-string

Mask to be applied to the called address extension in an incoming call. The result is compared, octet by octet, with the called address extension value characteristic.

called address extension value

Default: No called address extension value

Value: Hex-string

Called address extension value to be matched by this filter. This value is compared, octet by octet, with the masked called address extension value. This string must have the same length as the string specified in the called address extension mask characteristic.

called nsap

Default: No NSAP address

Value: NSAP address

Value to be matched against the called address extension field of an incoming call packet when the field contents are encoded in ISO format.

X.25 Access Module

24.4 x25 access filter

group

Default: No group name

Value: Simple-name

Name of the x25 protocol group entity to be matched by this filter. The DTE must belong to this group for the filter to match. Wildcards can be used in the group name.

inbound dte class

Default: No DTE class

Value: Simple-name

Name of the DTE class to be matched by this filter. The DTE must belong to this DTE class for the filter to match. This is the DECnet-Plus mechanism for specifying a local receiving DTE; see also the description of the receiving dte address characteristic. Wildcards can be used in the class name.

incoming dte address

Default: No DTE address

Value: DTE address

Value to be matched with the “called address” field of an incoming call packet. Wildcards can be used in the incoming DTE address.

originally called address

Default: No address

Value: DTE address

Value to be matched with the “originally called address” field of an incoming call that has been redirected. Wildcards can be used in the originally called DTE address.

priority

Default: 1

Value: 0–65535

Filter’s position in an ordered set of filters used for matching incoming calls.

receiving dte address

Default: No DTE address

Value: DTE address

Address that is used to match the DTE address of the local receiving DTE. This characteristic is included for backward compatibility with Phase IV; the DECnet-Plus mechanism uses the dte class characteristic. Wildcards can be used in the receiving DTE address.

redirect reason

Default: Not specified

Value: See description

Reason for matching a call that has been redirected.

busy The original destination was busy.

not specified Redirection was not checked.

out of order The original destination was not operational.

systematic Calls to the original destination are systematically redirected.

This value must be the same as the redirect reason in the call request for the filter to match.

security filter

Default: Default

Value: Simple-name

Name of the x25 access security filter entity that controls access to this filter. Wildcards can be used in the security filter name.

sending dte address

Default: No DTE address

Value: DTE address

Value to be compared with the “calling address” field of an incoming call packet. These values must be the same for the filter to match. Wildcards can be used in the sending DTE address.

subaddress range (OpenVMS VAX)

Default: No range

Value: Set of one range

Subaddress range value to be matched by this filter. Format the values to specify this subaddress range. This set must either be empty or contain exactly one value. This attribute has been retired; it has been included to allow the value of the attribute to be seen, but it cannot be modified.

24.4.2 Counter Attributes

creation time

Time at which this entity was created.

incoming calls blocked

Number of times an incoming call that matched this filter has been cleared by security.

24.4.3 Identifier Attributes

name

Simple name assigned to the filter when it is created.

24.4.4 Status Attributes

listener

When the status attribute state is set to *in use*, this specifies the name of the entity that is the listener with which this filter is associated. When the status attribute state is set to *free*, this status is undefined.

state

Status of the x25 access filter entity.

free The filter is not associated with a listener, and is, therefore, not currently used in matching incoming calls.

in use The filter is associated with a listener, and is currently being used to match incoming calls.

uid

Entity's unique identifier, which is generated when the entity is created.

X.25 Access Module

24.5 x25 access port

24.5 x25 access port

An x25 access port entity represents an X.25 virtual circuit. Ports are created and deleted automatically as circuits are established and cleared. The *port-name* refers to the port managed by this command

Syntax

```
clear [node node-id] x25 access port port-name
```

```
show [node node-id] x25 access port port-name [all [attributes] | all counters | all identifiers | all status ]
```

24.5.1 Counter Attributes

data octets received

Number of data octets received at the port.

data octets sent

Number of data octets sent by the port.

pdus received

Number of PDUs received at the port.

pdus sent

Number of PDUs sent by the port.

reference time

Time at which the port was created (if the circuit is a PVC), or the time at which the port was first used to send or receive a call at the X.25 user interface (if the circuit is an SVC).

segments sent

Number of segments of data sent by this port.

segments received

Number of segments of data received by this port.

24.5.2 Identifier Attributes

name

Simple name assigned to the port when it is created.

24.5.3 Status Attributes

call association

Name of the x25 access filter entity that matched an incoming call, or the name of the x25 access template entity used in making an outgoing call. This attribute is supported only if the status attribute port type is set to switched and the status attribute state is not set to open.

call direction

Direction of the call on an SVC.

incoming The call is an incoming call.

outgoing The call is an outgoing call.

This attribute is supported only if the status attribute port type is set to switched and the status attribute state is not set to open.

calling address extension

Calling NSAP address that is carried transparently in an incoming or outgoing call packet. This attribute is supported only if the status attribute `port type` is set to `switched` and the status attribute `state` is not set to `open`.

calling dte address

Calling DTE address in a call request or incoming call packet (depending on the value of the status attribute `call direction`). This attribute is supported only if the status attribute `port type` is set to `switched` and the status attribute `state` is not set to `open`.

channel

Channel number of the underlying virtual circuit. This status is valid only if the port is at a connector system and the status attribute `state` is not `open`.

client

Name of the entity that opened the port.

dte class

Name of the DTE class to which the DTE of the underlying virtual circuit belongs. This attribute is supported only if the status attribute `state` is not set to `open`.

fast select

Specifies whether `fast select` is in operation for the call.

fast select	Fast select in operation.
no fast select	Fast select not in operation.
not specified	Facility not requested.
with response	Fast select with response in operation.

This attribute is supported only if the status attribute `port type` is set to `switched` and the status attribute `state` is not set to `open`.

group

Name of the x25 protocol group entity (that is, closed user group (CUG)) associated with an incoming or outgoing call. This attribute is supported only if the status attribute `port type` is set to `switched` and the status attribute `state` is not set to `open`.

incoming packet size

Packet size, in octets, for incoming data on a virtual circuit. This attribute is supported only if the status attribute `state` is not set to `open`.

incoming throughput class

Throughput class for incoming data on a virtual circuit. This attribute is supported only if the status attribute `state` is not set to `open`.

incoming window size

Window size for incoming data on a virtual circuit. This attribute is supported only if the status attribute `state` is not set to `open`.

local dte

Name of the DTE entity associated with the call. This attribute is supported only if the status attribute `state` is not set to `open`.

X.25 Access Module

24.5 x25 access port

originally called address

If a call is redirected, this is the DTE address from which the call was redirected; otherwise, the address is null. This status is valid only if the status attribute `redirect reason` is not `not redirected`. This attribute is supported only if the status attribute `port type` is set to `switched` and the status attribute `state` is not set to `open`.

outgoing packet size

Packet size, in octets, for outgoing data on a virtual circuit. This attribute is supported only if the status attribute `state` is not set to `open`.

outgoing throughput class

Throughput class for outgoing data on a virtual circuit. This attribute is supported only if the status attribute `state` is not set to `open`.

outgoing window size

Window size for outgoing data on a virtual circuit. This attribute is supported only if the status attribute `state` is not set to `open`.

protocol identifier

First four octets of call data in the call. This attribute is supported only if the status attribute `port type` is set to `switched` and the status attribute `state` is not set to `open`.

pvc

Name of the PVC to which this port belongs. This attribute is present only if the status attribute `port type` is set to `permanent`.

redirect reason

Specifies whether a call has been redirected and, if so, the reason for the redirection.

busy	The call has been redirected because the original destination was busy.
not redirected	The call has not been redirected.
out of order	The call has been redirected because the original destination was not operational.
systematic	The call has been redirected because all calls to the original destination have been systematically redirected.

This attribute is supported only if the status attribute `port type` is set to `switched` and the status attribute `state` is not set to `open`.

remote port

Port at the source (that is, accessing) node (when the client is an X.25 server).

reserved

If the port is associated with a reserved logical channel number (LCN), this specifies the name of the local DTE entity on which the LCN is reserved. A null string indicates that the port is not associated with a reserved LCN. This attribute is supported only if the status attribute `port type` is set to `switched` and the status attribute `state` is not set to `open`.

reverse charging

Specifies whether reverse charging is in operation for the call. This attribute is supported only if the status attribute `port type` is set to `switched` and the status attribute `state` is not set to `open`.

state

Status of the x25 access port entity.

called	A call has been received and taken by a user.
calling	A user is making a call.
cleared	A Clear Indication or Clear Confirmation packet has been received, or the X.25 Protocol module has detected an error.
cleared by directive	The port was cleared by network management.
clearing	A user has requested that the call should be cleared.
no communication	Communications with the PSDN have been lost.
open	The port is open.
running	The associated virtual circuit is available for data transfer.
synchronizing	A user has requested a reset, but the network has not yet responded with a Reset Confirmation or Reset Indication packet.
unsynchronized	A Reset Indication packet has been received, or the X.25 Protocol module has detected an error and the user has not yet responded with a reset request.

target address extension

Called NSAP address that is transparently carried in an incoming or outgoing call packet. This attribute is supported only if the status attribute port type is set to switched and the status attribute state is not set to open.

target dte address

Called DTE address in a call request or incoming call. This attribute is supported only if the status attribute port type is set to switched and the status attribute state is not set to open.

type

Specifies whether the port represents an SVC or a PVC.

switched	The circuit is an SVC.
permanent	The circuit is a PVC.

X.25 Access Module

24.6 x25 access reachable address

24.6 x25 access reachable address

An x25 access reachable address entity maps a destination network service access point (NSAP) address in an outgoing call to a DTE class/DTE address pair.

The *address-name* refers to the address managed by this command.

Syntax

```
create [node node-id] x25 access reachable address address-name address prefix address-prefix
```

```
delete [node node-id] x25 access reachable address address-name
```

```
set [node node-id] x25 access reachable address address-name {address extensions boolean |  
address prefix address-prefix | destination dte-address | dte class simple-name | mapping  
mapping-type }
```

```
show [node node-id] x25 access reachable address address-name [all [attributes] | all characteristics |  
all identifiers ]
```

24.6.1 Arguments

address prefix *address-prefix*

Leading substring of an NSAP address associated with this reachable address entity.

24.6.2 Characteristic Attributes

address extensions

Default: True

Value: True or false

Specifies whether the “called address extension” and “calling address extension” fields are to be included in the outgoing call packet.

address prefix

Address prefix to trigger the use of DTE class and destination. Supplied as an argument to the create command. You cannot modify this characteristic.

destination

Default: No DTE address

Value: DTE address

Manually entered DTE address. This address is used only if the mapping characteristic has the value manual.

dte class

Default: No class name

Value: Simple-name

Name of the DTE class to be used in making the outgoing call. If not specified, any DTE class may be used.

mapping

Default: X.121

Value: Manual or X.121

Mechanism by which the destination DTE address is to be derived.

manual The destination DTE address is supplied manually by means of the destination characteristic.

X.121 The destination DTE address is derived by an algorithm from an NSAP address in X.121 format. X.121 address mapping may only be specified with address prefixes of 36, 37, 49, 52 and 53.

24.6.3 Identifier Attributes

name

Simple name assigned to the reachable address when it is created.

24.6.4 Exception Messages

For create:

address prefix not unique

A reachable address with the specified prefix already exists.

X.25 Access Module

24.7 x25 access security dte class

24.7 x25 access security dte class

An x25 access security dte class entity is used to control inbound and outbound calls. The *class-name* refers to the class managed by this command.

Syntax

create [node *node-id*] x25 access security dte class *class-name*

delete [node *node-id*] x25 access security dte class *class-name*

show [node *node-id*] x25 access security dte class *class-name* [all [attributes] | all identifiers | all status]

24.7.1 Identifier Attributes

name

Simple name assigned to the security DTE class when it is created.

24.7.2 Status Attributes

guarded dte classes

Names of the DTE classes that are protected by this security DTE class.

24.8 x25 access security dte class remote dte

An x25 access security dte class remote dte entity is a collection of access control attributes that control inbound calls from and outbound calls to a set of remote DTEs.

Syntax

```
add [node node-id] x25 access security dte class class-name remote dte dte-name rights identifiers set
of simple-name
```

```
create [node node-id] x25 access security dte class class-name remote dte dte-name remote address
prefix dte-address-prefix
```

```
delete [node node-id] x25 access security dte class class-name remote dte dte-name
```

```
remove [node node-id] x25 access security dte class class-name remote dte dte-name rights identifiers
set of simple-name
```

```
set [node node-id] x25 access security dte class class-name remote dte dte-name {acl
access-control-list | rights identifiers set of simple-name }
```

```
show [node node-id] x25 access security dte class class-name remote dte dte-name [all [attributes] |
all characteristics | all counters | all identifiers | all status ]
```

24.8.1 Arguments

remote address prefix *remote-address-prefix*

Leading substring of a DTE address associated with this remote address entity. Wildcards may be used in the address prefix.

24.8.2 Characteristic Attributes

acl

Default: No acl

Value: Access control list

Access control list (ACL) that is used when checking outbound calls to the set of DTE addresses that this remote DTE represents. Wildcards may be used in the identifiers that form part of each access control entry (ACE) in an access control list.

remote address prefix

DTE address prefix for this remote DTE. The value of this characteristic is specified by the `remote address prefix` argument in the `create` command. You cannot modify this characteristic.

rights identifiers

Default: No rights identifiers

Value: Set of names

Rights identifiers possessed by this remote DTE. It is used for incoming call checking against the ACL attribute of a security filter entity that is used to guard a filter.

X.25 Access Module

24.8 x25 access security dte class remote dte

24.8.3 Counter Attributes

creation time

Time at which the entity was created.

incoming calls blocked

Number of times an incoming call that matched the remote address prefix for this remote DTE has been blocked by security.

outgoing calls blocked

Number of times an outgoing call that matched the remote address prefix for this remote DTE has been blocked by security.

24.8.4 Identifier Attributes

name

Simple name assigned to the remote DTE when it is created.

24.8.5 Status Attributes

uid

Entity's unique identifier, which is generated when the entity is created.

24.9 x25 access security filter

An x25 access security filter entity is a collection of access control attributes that controls access to one or more filters. The *filter-name* refers to the filter managed by this command.

Syntax

```
create [node node-id] x25 access security filter filter-name
```

```
delete [node node-id] x25 access security filter filter-name
```

```
set [node node-id] x25 access security filter filter-name acl access-control-list
```

```
show [node node-id] x25 access security filter filter-name [all [attributes] | all characteristics | all identifiers | all status ]
```

24.9.1 Characteristic Attributes

acl

Default: No acl

Value: Access control list

Access control list (ACL) that is used for checking inbound calls for all filters using this security filter. Wildcards may be used in the identifiers that form part of each access control entry (ACE) in an access control list.

24.9.2 Identifier Attributes

name

Simple name assigned to the security filter when it is created.

24.9.3 Status Attributes

guarded filters

Names of the x25 access filters that are protected by this security filter.

end-to-end delay

Default: [0..0]

Value: Range of integer (see description)

Lower and upper bounds of the acceptable end-to-end delay for the call. A zero value for either bound indicates that no range is included in the outgoing call.

expedited data

Default: Not specified

Value: See description

Specifies whether expedited data is requested for the call.

do not use Expedited data is not in use.

not specified Expedited data is not requested.

use Expedited data is in use.

fast select

Default: Not specified

Value: See description

Specifies whether fast select is requested for the call.

fast select Fast select is in use.

no fast select Fast select is not in use.

not specified Fast select is not requested.

with response Fast select with response is in use.

local facilities

Default: No facilities

Value: Hex-string

Non-CCITT facilities that are available from the local PSDN. The string is placed in the outgoing call request packet without modification. The contents and interpretation of this string are implementation-dependent.

local subaddress

Default: No DTE address

Value: DTE address

Local subaddress to be appended to the calling DTE address in the call.

network user identity

Default: No network user identity

Value: Hex-string

Network user identity to be included in the call packet. The format of the network user identity is specified by the PSDN administration.

nsap mapping

Default: False

Value: True or false

Specifies whether an x25 access reachable address entity is used to map the supplied NSAP address to a destination DTE class/DTE address pair.

packet size

Default: Supplied by profile

Value: 0–4096

Packet size, in octets, for transmitted and received data packets. The value must be a power of 2 in the range 0 to 4096. The value zero indicates that no packet size is included in the outgoing call.

X.25 Access Module

24.10 x25 access template

quality of service

Default: No data

Value: Hex-string

Quality of service data. The contents and interpretation of this string are implementation-dependent.

reverse charging

Default: False

Value: True or false

Specifies whether reverse charging is requested for the call.

rpoa sequence

Default: No DTE addresses

Value: Set of DTE addresses

Private operating agency sequence of transit networks to be used in setting up the call. Format the values to specify a set of DTE addresses. Each DTE address is four digits long. An empty set indicates that no sequence is included in the outgoing call.

selected group

Default: No group name

Value: Group name

Name of the x25 protocol group entity that represents the closed user group (CUG) selected for the call. The index for group is included in the facility field of the call request packet.

target address extension

Default: No NSAP address

Value: NSAP address

Called NSAP address to be sent to the called DTE should be supplied by a higher-level entity in the calling DTE. A null address indicates that this facility is not required.

throughput class request

Default: [0..0]

Value: Range of integer (see description)

Minimum acceptable throughput class (the lower bound of the range) and the target throughput class (the upper bound of the range) for a call. The only legal values within the range are as follows:

0	2400
75	4800
150	9600
300	19200
600	48000
1200	

The range 0–0 indicates that no throughput class is included in the outgoing call.

transit delay selection

Default: [0..0]

Value: Range of integer (see description)

Lower and upper bounds of the desired transit delay. A zero value indicates that no value is included in the outgoing call.

window size

Default: Supplied by profile **Value:** 0–127

Window size for transmitted and received data packets. A zero value indicates that no window size is included in the outgoing call.

24.10.2 Identifier Attributes

name

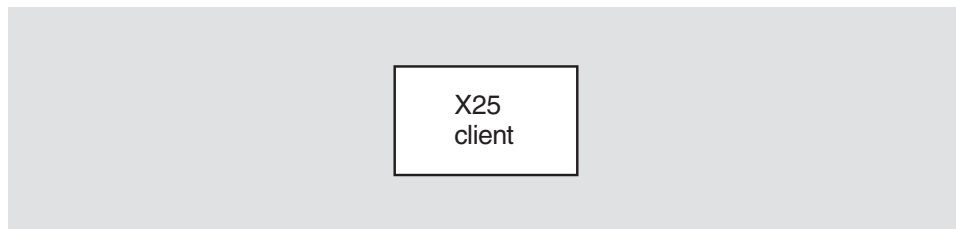
Name assigned to the template when it is created.

X.25 Client Module (OpenVMS)

This chapter describes all the commands used to manage the X.25 Client module. The X.25 Client module resides in the Application layer of the DIGITAL Network Architecture (DNA). It interfaces with the X.25 Access module to establish communications with its X.25 Server system over a DNA Session Control connection using the Gateway Access Protocol (GAP).

Figure 25–1 shows the hierarchical relationship of the entities that constitute the X.25 Client module.

Figure 25–1 Hierarchy of X.25 Client Module Entities



LKG-4559-92R

X.25 Client Module (OpenVMS)

25.1 x25 client

25.1 x25 client

The `x25 client` entity describes the X.25 client interface in an accessing system, through which X.25 clients gain access to a PSDN via an X.25 server in a connector system.

Syntax

```
create [node node-id] x25 client {incoming session template simple-name | maximum session connections integer }
```

```
delete [node node-id] x25 client
```

```
disable [node node-id] x25 client
```

```
enable [node node-id] x25 client
```

```
show [node node-id] x25 client [all [attributes] | all characteristics | all counters | all status ]
```

25.1.1 Arguments

maximum session connections *integer*

Maximum number of concurrent Session Control connections that can be supported by the X.25 Client module. This argument determines the value of the `maximum session connections` characteristic. If not specified, the implementation-specific default value of the characteristic `maximum session connections` is used.

25.1.2 Characteristic Attributes

incoming session template

The Session Control template specified for an open/incoming connection at the end-user Session Control interface. This characteristic is an optional argument on the `create` command.

maximum session connections

Default: None

Value: 1–65535

Maximum number of Session Control connections supported by this module. This characteristic is an optional argument on the `create` command. You cannot modify this characteristic.

version

Default: Current version number

Version number of the X.25 Gateway Access Protocol (GAP) to which the implementation conforms. You cannot modify this characteristic.

25.1.3 Counter Attributes

connection attempts failed

Number of Session Control connect requests that have failed prematurely or that have been rejected by the X.25 server at the connector system.

creation time

Time at which this entity was created.

times session control unavailable

Number of times Session Control was not found or state of Session Control was not enabled.

25.1.4 Status Attributes

active inbound session connections

Number of inbound Session Control connections to the X.25 Client module.

active outbound session connections

Number of outbound Session Control connections to the X.25 Client module.

state

Current state of the entity (on or off).

uid

Entity's unique identifier, which is generated when the entity is created.

25.1.5 Event Messages

server connect rejected

Generated when a requested connection to a connector system is rejected.

Arguments:

application Address of the X.25 application that has rejected a connect request.

node Address of a node that has rejected a connect request.

server Address of the X.25 server that has rejected a connect request.

session control unavailable

Generated when the X.25 Client module detects the absence of the Session Control module, or when it detects that Session Control is disabled.

Arguments:

module extant Whether the Session Control module is unavailable or merely disabled. If false, the Session Control module is unavailable; if true, it is disabled. If false, the Session Control Port State argument is null.

Session Control port state State of the Session Control port.

null The Session Control module is unavailable.

off The Session Control port is in the Off state.

restricted The Session Control port is in the Restricted state.

shut The Session Control port is in the Shut state.

25.1.6 Exception Messages

For enable:

session control no resources

The Session Control module does not have sufficient resources to handle the call.

session control unavailable

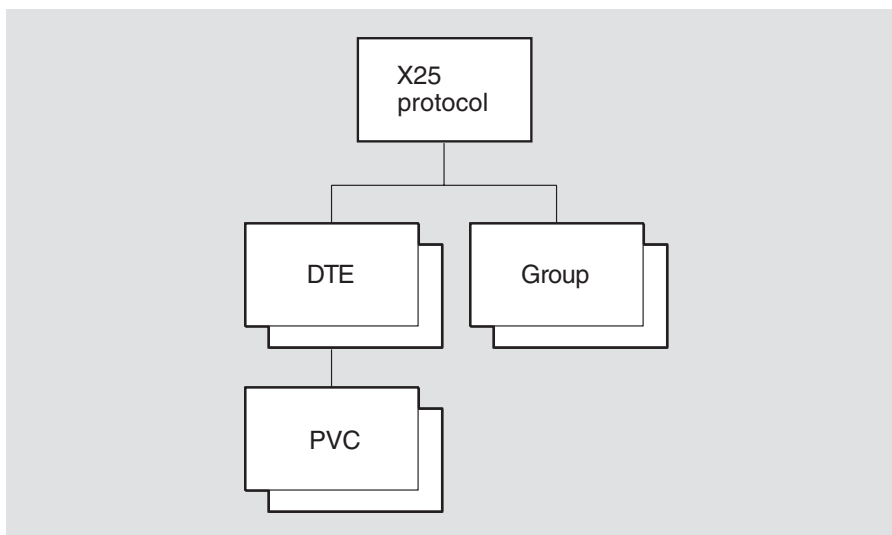
The Session Control module either does not exist or is disabled.

X.25 Protocol Module

This chapter describes all the commands you can use to manage the entities that constitute the X.25 Protocol module. The X.25 Protocol module resides in the Network layer of the DIGITAL Network Architecture (DNA). It provides the X.25 packet level interface into the packet switching data network (PSDN).

Figure 26–1 shows the hierarchical relationship of the entities that constitute the X.25 Protocol module.

Figure 26–1 Hierarchy of X.25 Protocol Module Entities



LKG-09714-94R

X.25 Protocol Module

26.1 x25 protocol

26.1 x25 protocol

The `x25 protocol` entity is the top-level entity in the X.25 Protocol module hierarchy of entities. The X.25 Protocol module operates the packet level protocol interface to a PSDN, as defined by the CCITT and ISO specifications.

Syntax

```
create [node node-id] x25 protocol
```

```
delete [node node-id] x25 protocol
```

```
show [node node-id] x25 protocol [all [attributes] | all characteristics ]
```

26.1.1 Characteristic Attributes

version

Default: Current version number

Version of DNA X.25 architecture to which this implementation conforms. You cannot modify this characteristic.

26.2 x25 protocol dte

An `x25 protocol dte` entity describes a local DTE.

Syntax

```

add [node node-id] x25 protocol dte dte-name outgoing list set of range of integer
create [node node-id] x25 protocol dte dte-name profile profile-name [maximum active circuits integer]
delete [node node-id] x25 protocol dte dte-name
disable [node node-id] x25 protocol dte dte-name
enable [node node-id] x25 protocol dte dte-name
remove [node node-id] x25 protocol dte dte-name outgoing list set of range of integer
set [node node-id] x25 protocol dte dte-name {call timer integer | ccitt version integer | clear timer
integer | default packet size integer | default window size integer | extended packet sequencing
boolean | inbound dte class simple-name | incoming list set of range of integer | interface
type interface-mode | interrupt timer integer | link service provider full-name | maximum active
circuits integer | maximum clear attempts integer | maximum packet size integer | maximum
reset attempts integer | maximum restart attempts integer | maximum throughput classes integer
| maximum window size integer | minimum packet size integer | minimum throughput classes
integer | minimum window size integer | outgoing list set of range of integer | reset timer integer
| restart timer integer | segment size integer | x25 address dte-address }
show [node node-id] x25 protocol dte dte-name [all [attributes] | all characteristics | all counters | all
identifiers | all status ]

```

The `x25 protocol dte enable` command starts the operation of the specified DTE. When the procedure completes, the status attribute state may be running, synchronizing, or unsynchronized.

The enable command will fail if the inbound dte class, link service provider, or x25 address characteristics are not set. The command will also fail if:

- There is a mismatch between the protocol profile and the link service provider profile.
- The link service provider either does not exist or is in use by someone else.
- The link service provider does not provide a maximum data size of the greater of 260, DTE maximum packet size + 4.

26.2.1 Arguments

profile *profile-name*

Name of the profile that supplies subscription details of the PSDN to which the DTE is connected. This argument is mandatory, and is used to set the profile characteristic.

maximum active circuits *integer*

Maximum number of virtual circuits that can be active at any time on the DTE for SVCs and PVCs . This argument determines the value of the maximum active circuits characteristic. This argument is optional.

X.25 Protocol Module

26.2 x25 protocol dte

26.2.2 Characteristic Attributes

call timer

Default: Supplied by profile

Value: Bounded by profile

Elapsed time, in seconds, before which a clear packet is sent for outgoing calls from the DTE that have received no response. A zero value indicates that no clear is sent.

ccitt version

Default: 1984

Value: 1–9999

Version of the CCITT X.25 recommendations to which the DTE conforms.

clear timer

Default: Supplied by profile

Value: Bounded by profile

Value of the retransmit timer for outgoing clear packets from the DTE. The default value is profile dependent.

default packet size

Default: 128

Value: 16–4096²

Default packet size, in octets, for all virtual circuits on the DTE. The value must not be less than the value of the minimum packet size characteristic.

default window size

Default: 2

Value: 1–127

Default window size for all virtual circuits on the DTE; that is, the default number of unacknowledged packets. This value must not be greater than the value of the maximum window size characteristic, and must not be less than the value of the minimum window size characteristic.

description

Manufacturer, product name, and version of the hardware platform of the DTE.

extended packet sequencing

Default: False

Value: True or false

Specifies whether the extended packet sequencing facility is subscribed to, in which modulo 128 packet numbering is used. If false, extended packet sequencing is not used. The profile may provide overriding default or legal values.

inbound dte class

Default: No DTE class name

Value: Simple-name

Name of the DTE class to be associated with all incoming calls to the DTE. You must specify this characteristic before you enable the DTE. The x25 access dte class entity to which the name refers must exist when you enable the DTE.

X.25 Protocol Module

26.2 x25 protocol dte

maximum reset attempts

Default: Supplied by profile

Value: Bounded by profile

Number of times the DTE attempts to send a reset packet. The value 1 indicates that a reset packet is sent only once; that is, there are no retries.

maximum restart attempts

Default: Supplied by profile

Value: Bounded by profile

Number of times that any virtual circuit on the DTE attempts to send a restart packet. The value 1 indicates that a restart packet is sent only once; that is, there are no retries.

maximum throughput class

Default: 4800

Value: See description

Maximum value for the throughput class (65535) of any virtual circuit on the DTE. The value specified must be one of the following: 0, 75, 150, 300, 600, 1200, 2400, 4800, 9600, 48000, or 64000. The value must be greater than or equal to the value of the minimum throughput class characteristic.

maximum window size

Default: 2

Value: 1–127

Maximum number of unacknowledged packets for all virtual circuits on the DTE. This value must be greater than or equal to the value of the minimum window size and default window size characteristics.

minimum packet size

Default: 128

Value: 16–4096²

Minimum packet size, in octets, for all virtual circuits on the DTE. This value must be less than or equal to the value of the maximum packet size and default packet size characteristics.

minimum throughput class

Default: Supplied by profile

Value: Bounded by profile

Minimum throughput class for any virtual circuit on the DTE. The value specified must be one of the following: 0, 75, 150, 300, 600, 1200, 2400, 4800, 9600, 48000, or 64000. The value must be less than or equal to the value of the maximum throughput class characteristic.

minimum window size

Default: 2

Value: 1–127

Minimum window size for all virtual circuits on the DTE. This value must be less than or equal to the value of the maximum window size characteristic.

outgoing list

Default: [1..4095]

Value: Set of range (1–4095)

Channel number ranges that define the LCNs that are available for calls on outgoing or two-way channels. Format the values to specify a set of channel number ranges. Each channel number is the concatenation of the logical channel group number and logical channel number of an SVC on the DTE.

profile

Default: No profile name

Name of the profile that provides subscription details of the PSDN to which the DTE is connected. This characteristic cannot be set; it is specified when the DTE is created.

reset timer

Default: Supplied by profile

Value: Bounded by profile

Value of the retransmit timer for outgoing reset packets from the DTE. The default value is profile-dependent.

restart timer

Default: Supplied by profile

Value: Bounded by profile

Value of the retransmit timer for outgoing restart packets from the DTE. The default value is profile-dependent.

segment size

Default: Supplied by profile

Value: Bounded by profile

Segment size specified for data sent at this DTE.

x25 address

Default: No DTE address

Value: DTE-address

Full address of the DTE. You must give this characteristic a value before you enable the DTE.

26.2.3 Counter Attributes

allocated pvc failures (OpenVMS)

Number of times allocated PVCs have failed.

calls failed

Number of outgoing or incoming calls on the DTE that were either rejected or disconnected during the data phase.

creation time

Time at which this entity was created.

data octets received

Number of data octets received on all virtual circuits on the DTE.

data octets sent

Number of data octets sent on all virtual circuits on the DTE.

data PDUs received

Number of data packets received on all virtual circuits on the DTE.

data PDUs sent

Number of data packets sent on all virtual circuits from the DTE.

diagnostic packets

Number of diagnostic packets received on all virtual circuits on the DTE.

X.25 Protocol Module

26.2 x25 protocol dte

down transitions

Number of times the status attribute state has changed from on to off, synchronizing, or unsynchronized.

fast selects received

Number of fast select requests received at the DTE.

fast selects sent

Number of fast select requests sent from the DTE.

illegal packets

Number of illegal packets received at the DTE.

incoming calls connected

Number of successful call requests received at the DTE.

locally initiated resets

Number of times a reset was initiated by the local X.25 Protocol module.

locally initiated restarts

Number of times a restart was initiated by the local X.25 Protocol module.

network initiated resets

Number of times a reset was received.

network initiated restarts

Number of times a restart was received.

outgoing calls connected

Number of successful call requests sent from the DTE.

protocol errors

Number of protocol errors detected at the DTE.

reject packets

Number of reject packets received at the DTE.

retry failures

One of the maximum retry counts has been reached.

up transitions

Number of times the status attribute state has changed from off, synchronizing, or unsynchronized to on.

26.2.4 Identifier Attributes

name

Simple name assigned to the DTE when it is created.

26.2.5 Status Attributes

available outgoing channels

Number of LCNs enumerated by the outgoing list characteristic that are available for use.

dte class

DTE classes to which the DTE belongs.

groups

Groups to which the DTE belongs.

interface mode

Mode in which the DTE is operating.

last state change

Time at which the last change of state occurred.

state

Status of the x25 protocol dte entity.

off

The DTE is disabled, and all virtual circuits are terminated.

running

The DTE is enabled and synchronized at Protocol layer 3.

synchronizing

A restart operation initiated at the packet level is in progress.

unsynchronized

The line between the DTE and DCE is not synchronized at Protocol layer 2.

uid

Entity's unique identifier, which is generated when the entity is created.

26.2.6 Event Messages

diagnostic packet received

Generated when the DTE receives a diagnostic packet from the network.

Arguments:

cause

Cause code provided by the DCE on reset.

channel

Concatenated logical channel group and logical channel number of the virtual circuit associated with the event.

diagnostic

Diagnostic code provided by the DCE on reset.

dte down

Generated when the status attribute state changes from on to off, synchronizing, or unsynchronized.

Arguments:

configuration error

Specifies whether or not there has been a configuration error.

lapb link deleted

DTE state has changed due to the deletion of the underlying link service provider entity.

dte up

Generated when status attribute state changes to on from off, synchronizing, or unsynchronized.

Argument:

configuration

Specifies the DTE configuration.

dce

The DTE has initialized as a packet-mode DCE.

dte

The DTE has initialized as a packet-mode DTE.

negotiated dce

The DTE has negotiated to operate as a packet-mode DCE.

X.25 Protocol Module

26.2 x25 protocol dte

negotiated dte The DTE has negotiated to operate as a packet-mode DTE.

illegal packet received

Generated when the DTE receives an illegal packet from the network.

Arguments:

call time	Time at which the call request was made.
ccitt state	CCITT state.
channel	Concatenated logical channel group and logical channel number for the virtual circuit associated with the event.
direction	Direction of the call.
	incoming The call was incoming.
	outgoing The call was outgoing.
failure reason	Specifies why the packet was flagged as illegal.
	header error Error in the received block header.
	invalid gfi Invalid general format identifier.
	invalid state The packet is invalid in the current state of the protocol.
	no interrupt sent No interrupt packet was sent.
	too long The packet is too long.
	too short The packet is too short.
	unacknowledged interrupt There is an outstanding interrupt.
	unrecognized The packet is unrecognizable to the DTE.
header	Header contents of the packet that caused the event.
packet type	Type of illegal packet.
remote dte	Address of the DTE that is the source of an incoming call or the destination of an outgoing call.

network initiated reset

Generated when the DTE receives a Reset packet from the network.

Arguments:

cause	Cause code provided by the DCE on reset.
ccitt state	CCITT state. See possible reasons described under the illegal packet received event.
channel	Concatenated logical channel group and logical channel number of the virtual circuit associated with the event.
diagnostic	Diagnostic code provided by the DCE on reset.
direction	Direction of the call.
	incoming The call was incoming.
	outgoing The call was outgoing.

network initiated restart

Generated when the DTE receives a Restart packet from the network.

Arguments:

cause	Cause code provided by the DCE on reset.
ccitt state	CCITT state. See possible reasons described under the illegal packet received event.
channel	Concatenated logical channel group and logical channel number of the virtual circuit associated with the event.
diagnostic	Diagnostic code provided by the DCE on reset.

protocol error detected

Generated when a protocol error is detected.

Arguments:

call time	Time at which the call request was made.
ccitt state	CCITT state. See possible reasons described under the illegal packet received event.
channel	Concatenated logical channel group and logical channel number for the virtual circuit associated with the event.
failure reason	Reason for the protocol error.
bad p(r) received	Invalid receive packet sequence number received.
bad p(s) received	Invalid transmit packet sequence number received.
invalid lcn	Invalid Logical Channel Number.
invalid packet size	Error in negotiated or requested packet size.
invalid throughput class	Error in negotiated or requested throughput class.
invalid window size	Error in negotiated or requested window size.
no fast select	Fast select is not supported.
receiver not ready	Data received while in receiver not ready state.
header	Header contents that caused the event.
remote dte	Address of the DTE that is the source of an incoming call or the destination of an outgoing call.

reject packet received

Generated when the DTE receives a reject packet from the network.

Arguments:

call time	Time at which the call request was made.
ccitt state	CCITT state. See possible reasons described under the illegal packet received event.
channel	Concatenated logical channel group and logical channel number of the virtual circuit associated with the event.
direction	Direction of the call.
incoming	The call was incoming.
outgoing	The call was outgoing.

X.25 Protocol Module

26.2 x25 protocol dte

remote dte Address of the DTE that is the source of an incoming call or the destination of an outgoing call.

retry failed

Generated when one of the DTE's maximum retry counts has been reached.

Arguments:

ccitt state CCITT state. See possible reasons described under the `illegal packet received` event.

channel Concatenated logical channel group and logical channel number for the virtual circuit associated with the event.

remote dte Address of the DTE that is the source of an incoming call or the destination of an outgoing call.

retry Specifies which retry counter has generated the event by reaching its maximum value.

clear The maximum `clear` attempts counter.

reset The maximum `reset` attempts counter.

restart The maximum `restart` attempts counter.

switched virtual circuit failed

Generated when an incoming or outgoing call fails in the setup or data phase.

Arguments:

call time Time at which the call request was made.

cause Cause code provided by the DCE on reset.

channel Concatenated logical channel group and logical channel number for the virtual circuit associated with the event.

diagnostic Diagnostic code provided by the DCE on reset.

direction Direction of the call.

incoming The call was incoming.

outgoing The call was outgoing.

failure reason Reason why the circuit failed.

call cleared The call was cleared by an invocation of the interface function.

call collision Call collision occurred.

call timeout The call timer expired for an outgoing call attempt.

dte disabled The local DTE was disabled by network management.

level 2 failure A failure occurred at the Frame level link or below.

local reject The X.25 Access module rejected an incoming call attempt.

network clear A Clear packet with a network cause code was received.

no resources Insufficient resources to handle call.

no taker Incoming call attempt rejected on timeout with no response from X.25 Access module.

remote reject	Disconnect initiated by network or remote DTE.
restart received	A Restart packet was sent by the DCE.
security	An implementation-specific access criterion was violated.
remote dte	Address of the DTE that is the source of an incoming call or the destination of an outgoing call.

26.2.7 Exception Messages

For enable:

incompatible data sizes

The level 2 link service provider has not been configured for a sufficiently large data size. The level 2 link service data size must be at least 260 and at least the DTE maximum packet size +4.

incompatible profiles

There is a mismatch between the X.25 Protocol DTE profile and the link service provider profile.

insufficient information

inbound dte class, link service provider or x25 address characteristics necessary for the successful completion of the operation has not been set.

link service provider error

Level 2 link service provider has flagged an error.

link service provider in use

Another Network layer entity is already using the specified link service provider.

no such link service provider

The link service provider specified in the DTE does not exist.

X.25 Protocol Module

26.3 x25 protocol dte pvc

26.3 x25 protocol dte pvc

An `x25 protocol dte pvc` entity describes a permanent virtual circuit (PVC).

Syntax

```
create [node node-id] x25 protocol dte dte-name pvc pvc-name channel integer, packet size integer,  
window size integer
```

```
delete [node node-id] x25 protocol dte dte-name pvc pvc-name
```

```
set [node node-id] x25 protocol dte dte-name pvc pvc-name [acl access-control-list]
```

```
show [node node-id] x25 protocol dte dte-name pvc pvc-name [all [attributes] | all characteristics | all  
counters | all identifiers | all status ]
```

26.3.1 Arguments

channel *integer*

Concatenated logical channel group and logical channel number for the PVC. It should be a unique value among PVCs on this DTE. This channel number must not be present in the incoming list or outgoing list of the parent DTE. This required argument determines the value of the channel characteristic.

packet size *integer*

Packet size, in octets, for the PVC. This required argument determines the value of the packet size characteristic. This value should be within the maximum and minimum packet size specified for the parent DTE.

window size *integer*

Window size for the PVC. This required argument determines the value of the window size characteristic. This value should be within the maximum and minimum window size specified for the parent DTE.

26.3.2 Characteristic Attributes

acl

Default: No access control list

Value: Access-control-list

Access control list that controls access to this PVC.

channel

Default: No default

Value: 0–4095

Concatenated logical channel group and logical channel number for the PVC. The value of this characteristic derives from an argument to the `create` command. You cannot modify this characteristic.

packet size

Default: No default

Value: 16–4096

Packet size for the PVC, in octets. The value must be a power of 2 in the range 16 to 4096. The value of this characteristic derives from an argument to the create command. You cannot modify this characteristic.

window size

Default: No default

Value: 1–127

Window size for the PVC. The value of this characteristic derives from an argument to the create command. You cannot modify this characteristic.

26.3.3 Counter Attributes

These counters record values over the lifetime of a PVC. For counters that refer to use of the PVC by individual clients, see the x25 access port entity.

accesses blocked

Number of times an attempt to open a PVC has failed because of security.

creation time

Time at which this entity was created.

data octets received

Number of octets received by the PVC since it was created.

data octets sent

Number of octets sent by the PVC since it was created.

data pdus received

Number of data PDUs received by the PVC since it was created.

data pdus sent

Number of data PDUs sent by the PVC since it was created.

pvc failures

Number of times the PVC has failed while the entity has been allocated.

26.3.4 Identifier Attributes

name

Simple name assigned to the PVC when it is created.

26.3.5 Status Attributes

allocated

True if the PVC is allocated to a user. False if otherwise.

port

X.25 Access port with which the PVC is associated.

uid

Entity's unique identifier, which is generated when the entity is created.

X.25 Protocol Module

26.3 x25 protocol dte pvc

26.3.6 Event Messages

pvc failed

Generated when an allocated PVC fails during the data phase.

Arguments:

cause

Cause code provided by some DCEs on some failures.

diagnostic

Diagnostic code provided by some DCEs on some failures.

failure reason

Why the PVC failed.

DTE disabled

The local DTE was disabled by network management.

level 2 failure

A failure occurred at the Frame level link or below.

PVC deleted

The x25 protocol dte pvc entity has been deleted by network management.

restart

Restart initiated by network or remote DTE, or sent by this DTE.

26.3.7 Exception Messages

For create:

name not unique

The PVC entity is not unique on a connector system. PVCs with the same name cannot exist under separate DTEs on a connector system.

26.4 x25 protocol group

An x25 protocol group entity specifies a number of DTEs that make up a closed user group (CUG).

Syntax

```
add [node node-id] x25 protocol group group-name {members set of record | remote dte address dte-address }  
create [node node-id] x25 protocol group group-name  
delete [node node-id] x25 protocol group group-name  
remove [node node-id] x25 protocol group {members set of record | remote dte address dte-address }  
set [node node-id] x25 protocol group group-name {members set of record | remote dte address dte-address | type group-type }  
show [node node-id] x25 protocol group group-name [all [attributes] | all characteristics | all counters | all identifiers | all status ]
```

26.4.1 Characteristic Attributes

members

Default: No DTEs

Value: Set of records

DTEs on the local system that are members of the group. Format the values to specify a set of records. Each record consists of a name that identifies an X25 protocol dte entity and an integer (in the range 0 to 9999) that identifies the CUG number assigned by the network (for example, (dte=dte-0, index=5)). If a DTE is already created and enabled and is then added to the set of members, it must be disabled and re-enabled to service the specified CUG number or bilateral closed user group (BCUG).

remote dte address

Default: No DTE address

Value: DTE-address

DTE address to be associated with this entity for matching x25 access security dte class remote dte entities for both incoming and outgoing calls. This characteristic is only supported if the characteristic type is bcug.

type

Default: BCUG

Value: CUG, BCUG, or CUGOA

Type of the closed user group (CUG).

cug Normal CUG.

bcug Bilateral CUG (BCUG).

cugoa CUG outgoing access.

X.25 Protocol Module

26.4 x25 protocol group

26.4.2 Counter Attributes

creation time

Time at which this entity was created.

incoming calls blocked

Number of times an incoming call to a BCUG has been blocked by security from accessing a filter.

outgoing calls blocked

Number of times a call has been blocked by security from accessing this BCUG.

26.4.3 Identifier Attributes

name

Simple name assigned to the group when it is created.

26.4.4 Status Attributes

uid

Entity's unique identifier, which is generated when the entity is created.

26.4.5 Exception Messages

For delete:

referenced dte enabled

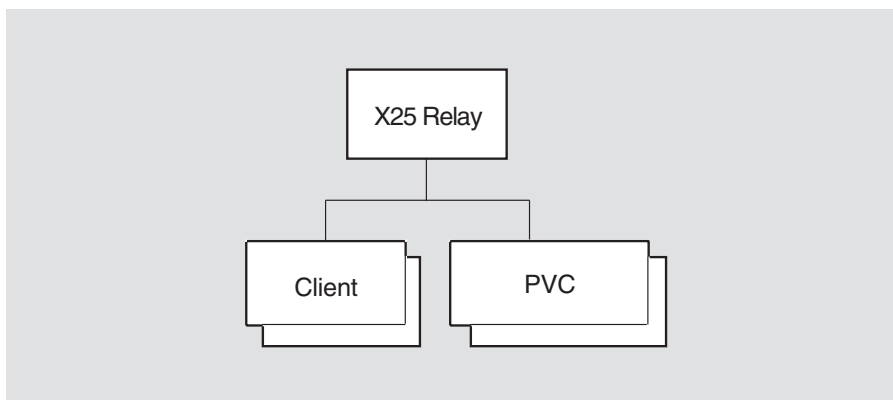
One or more of the DTEs referenced by this group is still enabled.

X.25 Relay Module

This chapter describes all the commands you can use to manage the entities that constitute the X.25 Relay module. The X.25 Relay module resides in the application layer of the DIGITAL Network Architecture (DNA). It interfaces with the X.25 Access module to receive an incoming switched virtual call and then makes an outgoing call through the X.25 Access module. Facilities also exist for relaying permanent virtual circuits (PVCs).

Figure 27–1 shows the hierarchical relationship of the entities that constitute the X.25 Relay module.

Figure 27–1 Hierarchy of X.25 Relay Module Entities



LKG-09713-94R

X.25 Relay Module

27.1 x25 relay

27.1 x25 relay

The `x25 relay` entity accepts an incoming call from one client and redirects it to another client.

Syntax

```
create [node node-id] x25 relay [maximum active connections integer]
```

```
delete [node node-id] x25 relay
```

```
show [node node-id] x25 relay [all [attributes] | all characteristics ]
```

27.1.1 Arguments

maximum active connections

Maximum number of active connections supported.

27.1.2 Characteristic Attributes

maximum active connections

Maximum number of active connections supported by this module. This characteristic is an optional argument on the `create` command. You cannot modify this characteristic.

version

Version number of the X.25 Relay architecture to which this implementation conforms. You cannot modify this attribute.

27.2 x25 relay client

An `x25 relay client` entity provides a set of default values to be used to set up a relay between an incoming call and an outgoing call.

Syntax

```
add [node node-id] x25 relay client client-name {filters simple-name | rights identifiers set of
    simple-name (Tru64 UNIX) }
create [node node-id] x25 relay client client-name
delete [node node-id] x25 relay client client-name
disable [node node-id] x25 relay client client-name
enable [node node-id] x25 relay client client-name
remove [node node-id] x25 relay client client-name {filters simple-name | rights identifiers set of
    simple-name (Tru64 UNIX) }
set [node node-id] x25 relay client client-name {dte class | filters simple-name | rights identifiers set
    of simple-name (Tru64 UNIX) | template simple-name }
show [node node-id] x25 relay client client-name [all [attributes] | all characteristics | all counters |
    all identifiers | all status ]
```

27.2.1 Characteristic Attributes

dte class

Default: No dte class

Value: Simple-name

Name of the x25 access dte class entity to use when making the outgoing call.

filters

Default: No filters

Value: Set of simple-names

Set of filters that are listened to by this client. Each name is the name of an x25 access filter entity. For the add and set commands, the x25 relay client entity must be in the Off state before the filters attribute can be modified.

rights identifiers (Tru64 UNIX)

Default: No rights identifiers

Value: Set of simple-names

Set of rights identifiers that this client possesses. It is used when placing the outgoing call.

template

Default: No template

Value: Simple-name

Name of the x25 access template entity to be used for the outgoing call.

27.2.2 Counter Attributes

connections failed

Number of times a connection setup has failed.

connections lost

Number of times a successfully established connection has been abnormally terminated.

X.25 Relay Module

27.2 x25 relay client

connections made

Number of connections that have been made successfully.

creation time

Time at which this entity was created.

27.2.3 Identifier Attributes

name

Simple name assigned to the client when it is created.

27.2.4 Status Attributes

active connections

Number of connections that are currently active on this client. A connection is a pair of incoming/outgoing calls. This value does not include connections that are still waiting to be established.

state

State of the x25 relay client entity.

off The entity is disabled.

on The entity is enabled.

uid

Entity's unique identifier, which is generated when the entity is created.

27.2.5 Event Messages

connection failed

Generated when a connection cannot be established.

Arguments:

call accept reason

Error returned when attempting to accept the incoming call. Only present if the reason argument is call accept failure.

cleared by directive

insufficient resources

invalid parameter

no such port

service not available

destination dte

DTE address of the called DTE.

destination nsap

Called address extension supplied in the Call packet.

outgoing failure reason

Error returned when attempting to make the outgoing call. Only present if the reason argument is outgoing call failure.

called address not reachable

cleared by directive

destination not known

dte class members not active

dte class not known

dte class not specified

incompatible reserved len

insufficient resources

	invalid parameter	
	no such port	
	no such template	
	security failure	
	service not available	
	transit not allowed	
reason	Whether the connection failed at the incoming or outgoing stage.	
	call accept failure	The client could not accept the incoming call.
	outgoing call failure	The client could not make the outgoing call.
sending dte	DTE address of the calling DTE.	
sending nsap	Calling address extension supplied in the Call packet.	
connection lost	Generated when a connection that has been successfully established is abnormally terminated.	
Arguments:		
cause	X.25 cause code provided by the clearing DTE. Only present if the reason argument is calling dte clear or called dte clear.	
destination dte	DTE address of the called DTE.	
destination nsap	Called address extension supplied in the Call packet.	
diagnostic	X.25 diagnostic code provided by the clearing DTE. Only present if the reason argument is calling dte clear or called dte clear.	
network error reason	Reason why the connection was lost. This argument is present only if reason is network error.	
reason	Reason for the loss of the connection.	
	called dte clear	The remote call was abnormally terminated.
	calling dte clear	The local call was abnormally terminated.
	network error	The cause of the connection loss is given by network error reason.
sending dte	DTE address of the calling DTE.	
sending nsap	Called address extension supplied in the Call packet.	

X.25 Relay Module

27.2 x25 relay client

27.2.6 Exception Messages

For enable:

filter in error

The filters specified in the filters characteristic cannot be used for one of the following reasons:

filters in use The named filters are already in use.

no such filters The named filters do not exist.

insufficient information

One or more characteristics have not been specified.

Arguments:

reason Specifies which characteristics have not been specified.

dte class The DTE class characteristic has not been specified.

filters The filters characteristic has not been specified.

For delete:

has active connections

One or more active connections exist on this client.

27.3 x25 relay pvc

An `x25 relay pvc` entity provides a set of default values to be used to establish a connection to a client over a permanent virtual circuit (PVC).

Syntax

```
add [node node-id] x25 relay pvc pvc-name rights identifiers set of simple-name
create [node node-id] x25 relay pvc pvc-name type pvc-type
delete [node node-id] x25 relay pvc pvc-name
disable [node node-id] x25 relay pvc pvc-name
enable [node node-id] x25 relay pvc pvc-name
remove [node node-id] x25 relay pvc pvc-name rights identifiers set of simple-name
set [node node-id] x25 relay pvc pvc-name {local pvc simple-name | remote dte class simple-name
(connector nodes only) | relayed pvc simple-name | retry limit integer (connector nodes only) |
retry timer integer (connector nodes only) | rights identifiers set of simple-name }
show [node node-id] x25 relay pvc pvc-name [all [attributes] | all characteristics | all counters | all
identifiers | all status ]
```

27.3.1 Arguments

type *pvc-type*

Type of PVC, either local or remote. Only local PVCs are supported.

27.3.2 Characteristic Attributes

local PVC

Default: No PVC name

Value: Simple-name

Name of the x25 protocol dte pvc entity that represents the local end of the connection. A value for this characteristic must be specified before enabling the relay PVC.

relayed PVC

Default: No PVC name

Value: Simple-name

Name of the x25 protocol dte pvc entity that represents the relayed end of the connection. A value for this characteristic must be specified before enabling the relay PVC.

remote dte class

Default: No dte class

Value: Simple-name

DTE class to be used when setting up the remote end of the connection. It is only specified if the relayed PVC does not reside on the local system. This attribute is only applicable to connector nodes, and will not be visible in other implementations.

retry limit

Default: 10

Value: 0–65535

Number of attempts that will be made to set up the PVC connection following the failure of an `enable` command. This attribute is only applicable to connector nodes, and will not be visible in other implementations.

X.25 Relay Module

27.3 x25 relay pvc

retry timer

Default: 60

Value: 1–65535

Interval, in seconds, between retries. This attribute is only applicable to connector nodes, and will not be visible in other implementations.

rights identifiers (Tru64 UNIX)

Default: No rights identifiers

Value: Set of simple-names

Rights identifiers possessed by this entity. These rights are used to access the local PVC and relayed PVC if it resides on the local system.

27.3.3 Counter Attributes

connections made

Number of successful connections made by this entity.

creation time

Time at which this entity was created.

times connections lost

Number of times that a successfully established PVC connection has been abnormally terminated.

times retry limit exceeded

Number of times that the retry limit has been reached when trying to set up a PVC connection.

27.3.4 Identifier Attributes

name

Simple name assigned to the PVC when it is created.

27.3.5 Status Attribute

state

State of the x25 relay pvc entity.

failed The retry mechanism has failed to set up the connection.

off The PVC is disabled.

on The PVC is enabled.

retrying The Retry timer is running.

uid

Entity's unique identifier, which is generated when the entity is created.

27.3.6 Event Messages

connection lost

Generated when a successfully established PVC connection fails for some other reason than being disabled.

Argument:

reason Error returned by the X.25 Access module when notifying the X.25 Relay module of the disconnection.

retry limit exceeded

Generated when an attempt to set up a PVC connection fails.

Arguments:

local pvc status State of the local end of the PVC connection.
relayed pvc status State of the relayed end of the PVC connection.

27.3.7 Exceptions

For enable:

insufficient information

One or more characteristics have not been specified.

Arguments:

reason Specifies which characteristics have not been specified.
local pvc The local pvc characteristic has not been specified.
relayed pvc The relayed pvc characteristic has not been specified.
remote dte class The remote dte class characteristic has not been specified.

dte class not type remote

The DTE class specified is not of type remote (connector nodes only).

pvc error

An error has occurred attempting to open either the local or the relayed PVC.

Arguments:

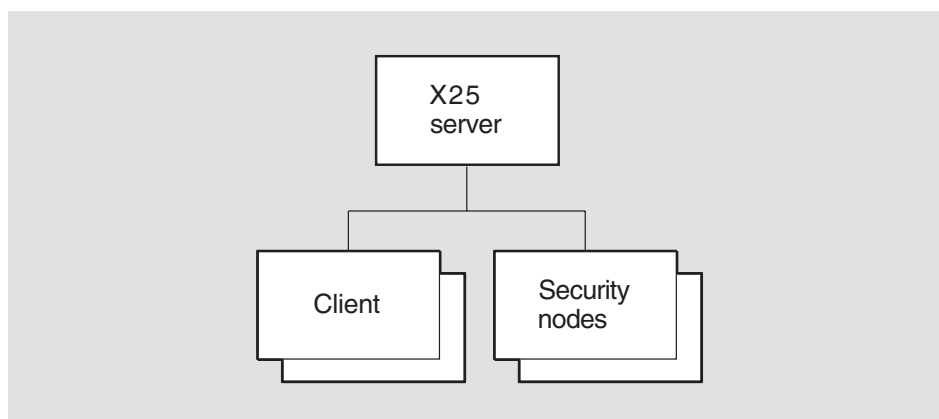
reason Specifies the reason for failing to open the local or relayed pvcs.
local pvc in use The specified local pvc already has a client.
relayed pvc in use The specified relayed pvc already has a client.
local pvc security block Attempt to open the local pvc failed for security reasons.
relayed pvc security block Attempt to open the relayed pvc failed for security reasons.
no such local pvc The specified local pvc does not exist.
no such relayed pvc The specified relayed pvc does not exist.

X.25 Server Module

This chapter describes all the commands you can use to manage the entities that constitute the X.25 Server module. The X.25 Server module resides in the Application layer of the DIGITAL Network Architecture (DNA). This module interfaces with the X.25 Access module to listen for incoming calls for X.25 Client systems, and to make outgoing calls on behalf of X.25 clients.

Figure 28–1 shows the hierarchical relationship of the entities that constitute the X.25 Server module.

Figure 28–1 Hierarchy of X.25 Server Module Entities



LKG-5775-92R

X.25 Server Module

28.1 x25 server

28.1 x25 server

The `x25 server` entity represents the X.25 server that runs on a connector system. The X.25 server serves X.25 clients on accessing systems, providing X.25 access to systems that do not have a direct connection to a PSDN.

Syntax

```
create [node node-id] x25 server {incoming session template simple-name | maximum session
connections number }

delete [node node-id] x25 server

disable [node node-id] x25 server

enable [node node-id] x25 server

show [node node-id] x25 server [all [attributes] | all characteristics | all counters | all status ]
```

28.1.1 Arguments

incoming session template (Tru64 UNIX)

Optional argument that specifies the Session Control template used to filter incoming Session Control connection requests.

maximum session connections

Optional argument that specifies the number of incoming and outgoing connections that may be supported concurrently.

28.1.2 Characteristic Attributes

incoming session template (Tru64 UNIX)

The Session Control template specified on an `OpenIncoming` invocation at the end user Session Control interface. You cannot modify this characteristic.

maximum session connections

Default: 512

Value: [1..65535]

Maximum number of Session Control connections with clients that the entity can support. This includes both incoming and outgoing connections. You cannot modify this characteristic.

version

Default: Current version number

Version number of the X.25 Gateway Access Protocol (GAP) to which the implementation conforms. You cannot modify this characteristic.

28.1.3 Counter Attributes

connection attempts failed

Number of Session Control connection requests to clients that have failed, due either to exceeding the maximum number of connections or rejection by X.25 clients in accessing systems.

creation time

Time at which this entity was created.

times session control unavailable

Number of times the Session Control unavailable event was raised.

28.1.4 Status Attributes

active inbound session connections

Current number of active inbound Session Control connections with clients.

active outbound session connections

Current number of active outbound Session Control connections with clients.

state

Current state of the x25 server entity.

off

The x25 server entity is disabled.

on

The x25 server entity is enabled.

uid

Specifies the entity's unique identifier, which is generated when the entity is created.

28.1.5 Event Messages

client connect failed

Generated when the X.25 server is unable to make a connection to an X.25 client (or to any of an alternative set of X.25 clients if the service nodes characteristic is supported for the x25 server client entity).

Arguments:

client

Full name of the x25 server client entity.

nodes

The node or set of nodes associated with the x25 server client entity.

application

Application type in the client entity.

session control unavailable

Generated when the X.25 server detects the absence of the Session Control module or when it detects that the state of Session Control is not set to on.

Arguments:

module extent

true or false. Set to false when the X.25 server cannot detect the presence of Session Control. When set to false, the value of the session control port state argument is always null.

session control port state

null, off, shut, or restricted. Reflects the state returned by the port state end user interface when the value of the module extent argument is set true.

28.1.6 Exceptions

For enable:

session control no resources

The Session Control module does not have sufficient resources to handle the call.

session control unavailable

The Session Control module either does not exist or is disabled.

X.25 Server Module

28.2 x25 server client

28.2 x25 server client

An x25 server client entity provides a set of default values to be used to establish a Session Control connection with an X.25 client when an incoming call arrives for that client. You should create an x25 server client entity for each X.25 client with which the connector system is associated.

Syntax

```
add [node node-id] x25 server client client-name filters set of simple-name
create [node node-id] x25 server client client-name
delete [node node-id] x25 server client client-name
disable [node node-id] x25 server client client-name
enable [node node-id] x25 server client client-name
remove [node node-id] x25 server client client-name filters set of simple-name
set [node node-id] x25 server client client-name {account latin1string (OpenVMS) | application
end-user-specification | destination fullname (OpenVMS) | filters set of simple-name | node
fullname | outgoing session template simple-name (OpenVMS) | password latin1string | service
nodes set of record | user latin1string }
show [node node-id] x25 server client client-name [all [attributes] | all characteristics | all identifiers |
all status ]
```

28.2.1 Characteristic Attributes

account (OpenVMS)

Default: No service/account data **Value:** String

Default service or account data to be used when connecting to the system hosting the X.25 client.

application

Default: 36 **Value:** End-user-specification

Address information used by the destination Session Control module to select the X.25 client that will receive the connection request.

destination (OpenVMS)

Default: No client name **Value:** Fullname

Name of the X.25 client to which a connection is to be made when delivering a “filtered” call.

filters

Default: No default **Value:** Set of simple-names

Set of filters to be used by the server to filter calls for this X.25 client. Each name is the name of an x25 access filter entity.

node (OpenVMS VAX)

Default: No node name **Value:** Fullname

Name of the node that hosts the X.25 client to which connection is to be made. This characteristic is supported only if the service nodes characteristic is not supported.

outgoing session template (OpenVMS)

Default: Default template **Value:** Simple-name

Transport template to be used by the X.25 server to set up a Session Control connection to the X.25 client. The name is the name of an `osi transport` template entity.

password

Default: No password **Value:** String

Default password to be used for verification when connecting to the system that hosts the X.25 client. You cannot display this characteristic with the `show` command.

service nodes (OpenVMS I64, OpenVMS Alpha, and Tru64 UNIX)

Default: Empty set **Value:** Set of candidate records

Set of nodes that host the `x25 client` entities to which connections can be made.

user

Default: No user id **Value:** String

Default user identification to be used in access verification when connecting to the system that hosts the X.25 client.

28.2.2 Identifier Attributes

name

Simple name assigned to the client when it is created.

28.2.3 Status Attributes

state

Status of the `x25 server client` entity.

off The `x25 server client` entity is disabled.

on The `x25 server client` entity is enabled.

28.2.4 Exception Messages

For enable:

filter in error

One or more of the specified filters does not exist, or is in use.

filter in use

One or more of the specified filters is already being used by another client.

insufficient information

Before enabling the client you must ensure that the following characteristics have been given values of: `application`, `filters`, and `node` or `service nodes`.

X.25 Server Module

28.3 x25 server security nodes

28.3 x25 server security nodes

An x25 server security nodes entity defines the set of rights identifiers associated with calls issued by the X.25 Server module (on behalf of the X.25 Client module at an accessing system) to the X.25 Access module at the connector system. These rights identifiers are used when making access control checks on the DTE class specified when a call is made.

Syntax

```
add [node node-id] x25 server security nodes simple-name {nodes set of fullname | rights identifiers set of simple-name }
create [node node-id] x25 server security nodes simple-name
delete [node node-id] x25 server security nodes simple-name
remove [node node-id] x25 server security nodes simple-name {nodes set of fullname | rights identifiers set of simple-name }
set [node node-id] x25 server security nodes simple-name {nodes set of fullname | rights identifiers set of simple-name }
show [node node-id] x25 server security nodes simple-name [all [attributes] | all characteristics | all counters | all identifiers | all status ]
```

28.3.1 Characteristic Attributes

nodes

Default: No node names

Value: Set of full names

DNS full names of accessing systems, or the wildcard full name.

rights identifiers

Default: No rights identifiers

Value: Set of simple-names

Set of rights identifiers to be associated with the set of nodes named in the nodes characteristic for purposes of access control to DTE classes at the connector node.

28.3.2 Counter Attributes

creation time

Time at which this entity was created.

outgoing calls blocked

Number of times that an attempt to establish a call or use a PVC has failed for security reasons.

28.3.3 Identifier Attributes

name

Simple name assigned to the security node when it is created.

28.3.4 Status Attributes

uid

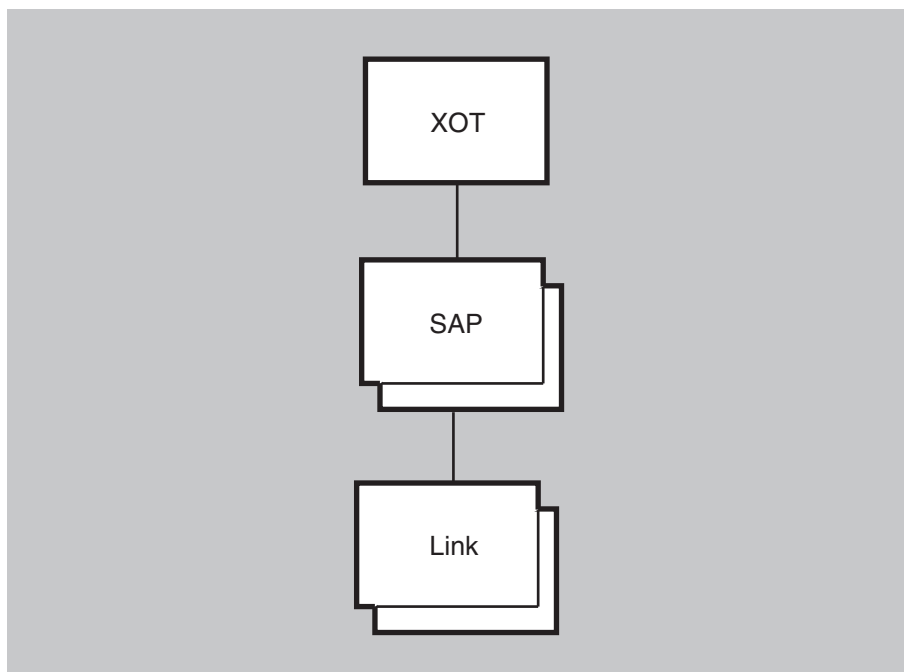
Entity's unique identifier, which is generated when the entity is created.

XOT Module (OpenVMS I64 and OpenVMS Alpha)

This chapter describes all the commands you can use to manage the entities that constitute the X.25 over TCP/IP (XOT) module. The XOT module enables transmission of X.25 packets over a wide area network composed of TCP/IP connections using the methods described in RFC1613. The XOT module and its associated data links can be used as another data link service provider in place of the LAPB data links normally used with X25 PROTOCOL DTE entities.

Figure 29–1 shows the hierarchical relationship of the entities that constitute the XOT module.

Figure 29–1 Hierarchy of XOT Module Entities



VM-1163A-AI

XOT Module (OpenVMS I64 and OpenVMS Alpha)

29.1 xot

29.1 xot

The `xot` entity is the top-level entity in the hierarchy of entities belonging to the XOT module.

Syntax

`create [node node-id] xot`

`delete [node node-id] xot`

`set [node node-id] xot maximum connections integer`

`show [node node-id] xot [all [attributes] | all characteristics | all status]`

29.1.1 Characteristic Attributes

maximum connections

Default: 256

Value: 1–65535

Maximum number of connections allowed. Note that each `xot sap link` entity is limited to 4095 connections. The `maximum connections` attribute sets the limit for connections over all existing `xot sap link` entities.

version

Version of the implementation, initially "1.0.0" (a read-only characteristic). You cannot modify this attribute.

29.1.2 Status Attributes

currently active connections

Number of currently active XOT connections.

uid

Entity's unique identifier, which is generated when the entity is created.

29.2 xot sap

The `xot sap` entity specifies the point at which the XOT module gains access to the TCP/IP environment for the purposes of listening for inbound XOT connections.

Syntax

```
create [node node-id] xot sap sap-name
delete [node node-id] xot sap sap-name
enable [node node-id] xot sap sap-name
disable [node node-id] xot sap sap-name

set [node node-id] xot sap sap-name { local IP address ip-address | local RFC1613 port number
integer }

show [node node-id] xot sap sap-name [all [attributes] | all characteristics | all counters | all
identifiers | all status]
```

29.2.1 Characteristic Attributes

local IP address

Default: 0.0.0.0

Value: IP address

IP interface (identified by the address) where the `sap` entity will listen. (Any available interface is specified with the address of 0.0.0.0). This characteristic is mainly set when a system has multiple TCP/IP interfaces.

Note

By default, XOT's single `sap` entity is configured to listen on any available IP interface (as specified by the IP address 0.0.0.0). You can create multiple `sap` entities, each listening on a unique IP address. However, if you create more than one `sap` entity, you must assign each entity a unique IP address; no `sap` entity can use the 0.0.0.0 address.

local RFC1613 port number

Default: 1998

Value: TCP port number

Port number on which the `sap` entity will listen for inbound XOT connections. HP strongly recommends that you use the value 1998 as specified in RFC1613.

29.2.2 Counter Attributes

creation time

Time this entity was created.

connects rejected

Number of times an inbound connection was rejected.

SAP state changed

Number of times that the SAP's state changed.

XOT Module (OpenVMS I64 and OpenVMS Alpha)

29.2 xot sap

29.2.3 Identifier Attribute

name

Simple name assigned to the SAP when it was created.

29.2.4 Status Attributes

state

Status of the sap entity.

on The entity is enabled.

off The entity is disabled.

**connecting to
PWIP** The entity is connecting to the PWIP driver and TCP/IP.

uid

Entity's unique identifier, which is generated when the entity is created.

29.2.5 Event Messages

sap state changed

Generated when the SAP changes state.

Arguments:

new sap state New state of the SAP.

29.3 xot sap link

The `xot sap link` entity represents a remote system with which XOT is allowed to communicate. In the case of an inbound XOT connection, there must be a `link` entity with a matching remote IP address and remote port number in order for XOT to accept the TCP/IP connection. In the case of an outbound connection, the `link` entity specifies the remote IP address and remote port number of the system with which to attempt the TCP/IP connection.

Syntax

```
create [node node-id] xot sap sap-name link link-name
delete [node node-id] xot sap sap-name link link-name
enable [node node-id] xot sap sap-name link link-name
disable [node node-id] xot sap sap-name link link-name
set [node node-id] xot sap sap-name link link-name { remote IP address ip-address | remote RFC1613
port number integer }
show [node node-id] xot sap sap-name link link-name [all [attributes] | all characteristics | all counters
| all identifiers | all status]
```

29.3.1 Characteristic Attributes

remote IP address

Default: None

Value: IP address

Remote IP address of the cooperating XOT system; specified as a numeric address in the form *a.b.c.d*. Specify the address 127.0.0.1 for loopback testing. For more information on TCP/IP loopback testing, see the HP TCP/IP Services for OpenVMS documentation.

remote RFC1613 port number

Default: 1998

Value: TCP port number

Specifies the TCP port number to use for an outgoing connection. The remote system must be listening for inbound XOT connections on this port.

29.3.2 Counter Attributes

creation time

Time this entity was created.

connects failed

Number of times an attempt to establish an outgoing connection failed.

connects sent

Number of connection requests sent.

connects received

Number of connection requests received.

disconnects sent

Number of disconnect requests sent.

disconnects received

Number of disconnects received.

XOT Module (OpenVMS I64 and OpenVMS Alpha)

29.3 xot sap link

link state changed

Number of times that the link has changed state from enabled to disabled or disabled to enabled.

octets received

Number of data octets received from TCP/IP for all ports on the link.

octets sent

Number of data octets sent to TCP/IP for all ports on the link.

pdus received

Number of data pdus (X.25 packets) received from TCP/IP for all ports on the link.

pdus sent

Number of data pdus (X.25 packets) sent to TCP/IP for all ports on the link.

protocol errors

Number of protocol errors that occurred on the link.

29.3.3 Identifier Attribute

name

Simple name assigned to the link when it was created.

29.3.4 Status Attributes

state

Status of the link entity.

on The link is enabled.

off The link is disabled.

uid

Entity's unique identifier, which is generated when the entity is created.

29.3.5 Event Messages

link state changed

Generated when the link changes state.

Arguments:

new link state New state of the link.

outbound connect failed

Generated when an attempt to establish an outbound connection with a remote system fails.

Arguments:

failure reason Specifies why the outbound connection failed.

remote system unreachable Requested remote system is not currently reachable.

connection rejected The remote system denied the connection request.

pwip error During the connection establishment, the PWIP software returned an error.

XOT Module (OpenVMS I64 and OpenVMS Alpha) 29.3 xot sap link

no reason specified	No additional information is available.
remote ip address	IP address of the remote system.
remote port number	Port number used when attempting to access the remote system.
pwip error code	Error code returned by the Pathworks (PWIP) if the failure reason code is pwip error .

protocol error

Generated when an error occurs in the XOT protocol during a XOT protocol exchange with the remote system.

Arguments:

error reason	Indicates the type of protocol error.
invalid xot header	The XOT header was not valid.
invalid pvc setup packet	For outgoing connections, the remote system returned an invalid response PDU. For incoming connections, the remote system's PVC connection PDU is invalid.
remote ip address	IP address of the remote system.
remote port number	Port number used when attempting to access the remote system.
received pdu	Contents of the invalid response PDU.

Interpreting NCL Error Messages

This appendix offers general guidelines for interpreting any NCL error messages you may receive.

A.1 How Errors Are Reported

NCL uses error messages to report and describe errors that occur in both the user interface and the entity.

For some errors, only one message is returned, even if a group of entities was targeted by the directive. The requested entity name is returned as part of the exception if specified. For other errors, if the entities determine that none of the target entities can perform the directive, the entity may return a single exception reply containing the requested entity name. The entity may return an exception or response for each target entity. In this case, the entity name returned is that of the entity performing the directive. The entity may stop forwarding the directive to further entities when an error occurs, providing it responds for each entity performing the directive.

A.2 NCL Error Messages for OpenVMS

This section describes NCL error messages that can be returned by the user interface. These errors occur during the parsing of the NCL command and are returned before a command is sent to the entity being managed. All messages are preceded by %NCL-E-. For example:

`%NCL-E-INVALIDCOMMAND, unrecognized command`

`ACCESSSTRINGTOOLONG, access control string too long`

Explanation: The username/password/account string is longer than 255 characters.

User Action: Use shorter username/password/account string.

`ALLOCFAILURE, memory allocation failure`

Explanation: NCL could not allocate the required memory.

User Action: Increase the users' quotas or the values for the system generation parameters to allow a larger virtual image. The most likely parameters are BYTLIM, VIRTUALPAGENT, or MAXBUF.

`AMBIGUOUS, ambiguous command`

Explanation: A keyword in the command is not specified with enough characters to distinguish it from another keyword acceptable in this context. The offending keyword is displayed between backslashes.

User Action: Reenter the command using enough characters to uniquely identify all keywords.

Interpreting NCL Error Messages

A.2 NCL Error Messages for OpenVMS

BADNCLENVIRONMENT, syntax error interpreting the NCL\$ENVIRONMENT variable

Explanation: The NCL\$ENVIRONMENT logical name could not be parsed because of a syntax error in its translation.

User Action: Redefine the NCL\$ENVIRONMENT logical name to correct the syntax.

BADPARSERFIELD, unknown datatype or corrupt parse tables

Explanation: The parser encountered corrupted parse tables (NCL\$GLOBALSECTION) or an unknown data type.

User Action: (1) If the NCL\$GLOBALSECTION file is fragmented (DUMP/HEADER/BLOCK=COUNT:0), try making it contiguous (COPY/CONTIG). (2) Contact your HP Support representative.

BADVALUE, bad command argument value

Explanation: The command contains an illegal argument value. The illegal value is displayed between backslashes.

User Action: Reenter the command using a legal argument value (if arguments are permitted).

BRACKETNESTING, brackets nested too deeply

Explanation: The command contains too many levels of bracket nesting. The offending bracketed data is displayed between backslashes.

User Action: Reenter the command using fewer nested brackets.

CMLINPUTOOSMALL, CML input itemlist too small

Explanation: The CML input itemlist buffer that is passed to the internal CML interface is too small.

User Action: Contact your HP Support representative.

CMLRCVFAILED, error receiving command request

Explanation: The call to CML\$ReceiveW failed.

User Action: Contact your HP Support representative.

CMLSENDFAILED, error sending command request

Explanation: The call to CML\$SendW failed.

User Action: See Secondary Status for the reason for the failure.

CMLTEMPLATETOOSMALL, CML template itemlist too small

Explanation: The CML template itemlist buffer that is passed to the internal CML interface is too small.

User Action: Contact your HP Support representative.

DICTIONARYCORRUPT, NCL data dictionary is corrupt

Explanation: The NCL data dictionary returned corrupt data.

User Action: Save NCL\$GLOBALSECTION.DAT file. Restore the file and contact your HP Support representative with the bad file and a description of what was done.

Interpreting NCL Error Messages

A.2 NCL Error Messages for OpenVMS

DISPLAYBUFFEROVERFLOW, display data too large for buffers

Explanation: The display data returned by CML is too large for NCL's display buffer.

User Action: Contact your HP Support representative.

DTETOOLONG, DTE address string is longer than 15 characters

Explanation: The DTE address contains more than 15 characters. The offending address is displayed between backslashes.

User Action: Reenter the command specifying no more than 15 characters for the DTE address.

DUPLICATEARGUMENT, duplicate arguments not allowed

Explanation: The command contains duplicate arguments. The duplicated argument is displayed in parentheses.

User Action: Reenter the command specifying each argument only once.

FULLNAMETOOLONG, FullName string longer than 400 characters

Explanation: The full name string is longer than the architected maximum length of 400 characters. The offending full name is displayed between backslashes.

User Action: Reenter the command specifying a full name of 400 or fewer characters.

ILLEGALCHARACTER, illegal character in input command

Explanation: The command line contains an illegal character. The illegal character is displayed between backslashes.

User Action: Reenter the command line using only legal characters.

IMAGETOOLONG, end user specification image field is too long

Explanation: The image field in the end user specification is too long. The offending data is displayed between backslashes.

User Action: Reenter the command specifying data that does not exceed the allowable limits. Allowable lengths for fields in the end user specification are:

NUMBER = n	$0 \leq n \leq 255$
NAME = "string"	string \leq 16 characters
UIC = [g,u]"string"	string \leq 12 characters
FULLNAME = fullname	fullname \leq 400 characters

INVALIDABSTIME, invalid absolute time, use DDDD-HH:MM:SS I SSS

Explanation: Absolute time format is invalid.

User Action: Reenter the time in correct format.

INVALIDACCESSCONTROL, invalid syntax for access control information

Explanation: The access control information is formatted incorrectly. The offending data is displayed between backslashes.

User Action: Reenter the command specifying the access control information in the correct format.

Interpreting NCL Error Messages

A.2 NCL Error Messages for OpenVMS

INVALIDADDRESSPREFIX, invalid syntax for an address prefix string

Explanation: The address prefix string contains illegal characters or invalid syntax. The offending data is displayed between backslashes.

User Action: Reenter the command specifying a correct address prefix string.

INVALIDAREAADDRESS, invalid syntax for an area address

Explanation: The area address string contains illegal characters or is incorrectly formatted. The offending data is displayed between backslashes.

User Action: Reenter the command specifying a correct area address.

INVALIDCMLDATA, return data corrupt or incorrectly encoded

Explanation: The data returned by CML is incorrectly formatted or corrupt.

User Action: Contact your HP Support representative.

INVALIDCOMMAND, unrecognized command

Explanation: NCL does not recognize the command. The unrecognized command is displayed between backslashes.

User Action: Correct the command and reenter it.

INVALIDDNSTS, invalid syntax for a name server timestamp

Explanation: The DECDns timestamp string is incorrectly formatted.

User Action: Reenter in correct format.

INVALIDFULLNAME, invalid syntax for FullName string

Explanation: A full name string is incorrectly formatted. The offending full name is displayed between backslashes.

User Action: Reenter the command specifying the full name string correctly.

INVALIDHEXSTRING, invalid syntax for a hex string

Explanation: A hexadecimal string contains illegal characters. The offending data is displayed between backslashes.

User Action: Reenter the command specifying only legal characters for the hexadecimal string.

INVALIDIPADDRESS, invalid syntax for an IP address

Explanation: The IP address contains illegal characters.

User Action: Reenter with correct syntax (length was equal to zero or contained illegal characters). Valid characters are 0 to 9 and the period (.).

INVALIDLANADDRESS, invalid syntax for LAN Address

Explanation: A LAN address contains illegal characters. The offending data is displayed between backslashes.

User Action: Reenter the command specifying a legal LAN address.

INVALIDLATIN1STRING, invalid characters in Latin1 String

Explanation: A Latin1 string contains invalid characters (usually control characters). The offending data is displayed between backslashes.

User Action: Reenter the command specifying only valid characters in the Latin1 string.

Interpreting NCL Error Messages

A.2 NCL Error Messages for OpenVMS

INVALIDNET, invalid syntax for a Network Entity Title

Explanation: The network entity title (NET) string contains illegal characters or is formatted incorrectly. The offending network entity title is displayed between backslashes.

User Action: Reenter the command specifying a legal network entity title string.

INVALIDNSAP, invalid syntax for an NSAP Address string

Explanation: The NSAP address string contains illegal characters or is formatted incorrectly. The offending data is displayed between backslashes.

User Action: Reenter the command specifying a legal NSAP address.

INVALIDOCTETSTRING, invalid syntax for octet or octet string

Explanation: An octet does not contain two hexadecimal digits. The offending data is displayed between backslashes.

User Action: Reenter the command specifying two hexadecimal digits for each octet.

INVALIDPHASE4ADDR, invalid syntax for a Phase IV node address

Explanation: A Phase IV node address has been specified incorrectly. The invalid address is displayed between backslashes.

User Action: Reenter the command specifying a correct Phase IV node address.

INVALIDPHASE4NAME, invalid syntax for a Phase IV node name

Explanation: A Phase IV node-name string contains illegal characters, does not contain at least one alpha character, or is too long. The offending data is displayed between backslashes.

User Action: Reenter the command specifying a legal Phase IV node-name string.

INVALIDPID, invalid syntax for a process identifier

Explanation: The process identifier string does not look like a hexadecimal PID or a process name string. The offending process identifier is displayed between backslashes.

User Action: Reenter the command specifying a valid process identifier.

INVALIDRELOP, invalid syntax for an entity filter relational operator

Explanation: The relational operator in the entity filter is invalid.

User Action: Reenter with valid operator. Valid operators are =, <>, <, <=, >, and >=.

INVALIDSIMPLENAME, invalid syntax for SimpleName string

Explanation: A simple name string is incorrectly formatted. The offending data is displayed between backslashes.

User Action: Reenter the command specifying a valid simple-name string.

INVALIDTIME, invalid syntax for a date/time

Explanation: The binary/character absolute/relative time contains illegal characters or bad syntax.

User Action: Reenter correct absolute or relative time.

Interpreting NCL Error Messages

A.2 NCL Error Messages for OpenVMS

INVALIDUID, invalid syntax for an unique identifier

Explanation: The unique identifier contains illegal characters or bad syntax.

User Action: Reenter hexadecimal string with "-" separators.

INVALIDVERSION, invalid syntax for a version number

Explanation: The version number contains illegal characters. The offending data is displayed between backslashes.

User Action: Reenter the command specifying a valid version number.

MISSINGARGUMENT, missing required command arguments

Explanation: The command line was terminated before all required command arguments were specified.

User Action: Reenter the command including all of the required arguments.

MISSINGEDITNUMBER, missing edit number for version number with edit

Explanation: The version number with edit is missing the edit number. The offending data is displayed between backslashes.

User Action: Reenter the command specifying the required edit number.

MISSINGLEFTBKT, missing left bracket

Explanation: The left bracket character is missing. The offending string is displayed between backslashes.

User Action: Reenter the command including the left bracket character.

MISSINGRIGHTBKT, missing right bracket

Explanation: The right bracket character is missing. The offending string is displayed between backslashes.

User Action: Reenter the command including the right bracket character.

NOCONNECTION, cannot establish CMIP connection to remote node

Explanation: The call to CML\$InitializeW failed.

User Action: See Secondary Status for the reason for the failure.

NODENAMETOOLONG, node name and/or access control information too long

Explanation: The node name and access control string are too long for NCL's parsed data buffer. The offending data is displayed between backslashes.

User Action: Reenter the command specifying data that does not exceed the allowable limits.

NOGLOBAENTITY, no global NODE entity found in the data dictionary

Explanation: The NCL\$GLOBALSECTION.DAT file does not have any entities in it.

User Action: Contact your HP Support representative.

NOGLOBALSECTION, cannot open and map the parse table global section file

Explanation: The NCL\$GLOBALSECTION.DAT file could not be opened.

User Action: See Secondary Status for the reason for the failure.

Interpreting NCL Error Messages

A.2 NCL Error Messages for OpenVMS

NOLINKID, no LinkID returned by CML

Explanation: The call to CML\$Initialize returned successfully, but did not return a LinkID value.

User Action: Contact your HP Support representative.

NOSUCHPROCESS, no such process name or insufficient privilege

Explanation: Either the specified process does not exist or you have insufficient privileges to use it. The process name is displayed between backslashes.

User Action: Reenter the command specifying a different process name or retry the command from a privileged account.

PHASE4AREA, Phase IV area number is not between 1 and 63

Explanation: The Phase IV node address contains an area number outside the legal range. The illegal data is displayed between backslashes.

User Action: Reenter the command specifying an area number within the range 1 through 63.

PHASE4NODE, Phase IV node number is not between 1 and 1023

Explanation: The Phase IV node address contains a node number outside the legal range. The illegal data is displayed between backslashes.

User Action: Reenter the command specifying a node number within the range 1 through 1023.

PROMPTNOTFOUND, prompt string not found in message file, using default

Explanation: The initial or continuation prompt string was not found in the NCL message file. The default prompt is being used.

User Action: Contact your HP Support representative.

REQUESTFAILED, Command failed due to: 'reason code'

Explanation: The CMIP request failed for the reason specified.

User Action: Correct the problem stated by the reason code and retry the command.

SCRIPTNESTED, too many levels of nested NCL scripts

Explanation: Nested NCL scripts are not allowed.

User Action: Nest the scripts no more than 10 levels.

SCRIPTNOTFOUND, Cannot open script file, check spelling and/or file specification.

Explanation: Cannot open the script file for input.

User Action: See the Secondary Status for the reason.

SIMPLENAMETOOLONG, SimpleName string longer than 255 characters

Explanation: The simple name string is longer than the architected maximum length of 255 characters. The offending string is displayed between backslashes.

User Action: Reenter the command specifying a simple name of 255 characters or fewer.

Interpreting NCL Error Messages

A.2 NCL Error Messages for OpenVMS

TOKENTOOLONG, command line item too long

Explanation: A command line token is too long to fit into the token buffer. The offending item is displayed between backslashes.

User Action: Reenter the command specifying a shorter command line token.

TSELTOOLONG, transport selector octet string is longer than 32 octets

Explanation: The transport selector string exceeds the 32-octet maximum. The illegal string is displayed between backslashes.

User Action: Reenter the command specifying a transport selector string that does not exceed the 32-octet maximum.

UNEXPECTEDRESPONSE, response function from CML does not match requested function

Explanation: CML returned a response with a function code that does not match that of the request.

User Action: Contact your HP Support representative.

UNKNOWNAFI, unknown authority and format identifier in NSAP

Explanation: The NSAP or address-prefix string contains an illegal or unknown authority and format identifier (AFI) value. The offending data is displayed between backslashes.

User Action: Reenter the command specifying a valid AFI value.

VERSIONMISMATCH, incompatible NCL parse table (Version !UL), expected Version !UL

Explanation: The NCL parse table section (NCL\$GlobalSection.DAT) version number did not match that which NCL was built for, and this version is not compatible.

User Action: Resinstall the kit with the proper NCL.EXE and NCL\$GlobalSection.DAT.

WRONGBRACKET, mismatched right bracket

Explanation: The right bracket character does not match the corresponding left bracket character. The offending string is displayed between backslashes.

User Action: Reenter the command using matching bracket characters.

A.3 NCL Exception Messages

A.3.1 Standard Format for NCL Exception Messages

This section describes the standard format for all NCL exception messages. Exception messages represent errors that occur at the entity under management.

For example:

```
# ncl set routing phaseiv prefix = 49:: 1
Node 0 Routing 2
AT 2003-09-08-13:28:43.800-04:00I0.178 3
command failed due to:
  constraint violation
Characteristics
```

Interpreting NCL Error Messages

A.3 NCL Exception Messages

```
PhaseIV Prefix           = 49:: 4
Routing Mode             = Integrated
ES Cache Size           = 512
```

- 1 The NCL command in this example attempts to set the current node's routing Phase IV prefix to 49.
- 2 This field includes the entity instance, which describes the specific entity of the directive. In this example, the entity was the Routing layer of the current node.
- 3 Each message includes a timestamp. The timestamp is taken by the entity as soon as possible after the error occurs. Often this field includes the note, "no timestamp from agent," indicating that the entity did not supply the timestamp.
- 4 The command failed due to: field lists the key phrase of the error message. When you look through specific exception messages, look for this key phrase. In this example, "constraint violation" indicates that the command somehow violated a constraint built into the command.

Certain error messages also contain a secondary DUE TO line pertaining to a particular attribute (or qualifier).
- 5 This describes the reason for the error. In this example, you cannot set the Phase IV prefix to 49 because the Routing layer is enabled (State = On). You must disable the Routing layer before attempting to change the Phase IV prefix.

A.3.2 Common NCL Exception Messages

Access Denied

Explanation: You are not authorized to perform the specified command.

Access Violation

Explanation: You have performed an illegal operation for the specified command.

Already Exists

Explanation: You have tried to create an entity that already exist.

Constraint Violation

Explanation: The setting of one or more attributes violates a constraint defined for the entity.

Create With Wildcard

Explanation: You have used a wildcard to create an entity name that is not supported.

Directive Not Supported

Explanation: You have entered an NCL command that is not supported for this entity.

Duplicate Argument

Explanation: You have entered an NCL command with two or more of the same argument.

Interpreting NCL Error Messages

A.3 NCL Exception Messages

Duplicate Attribute

Explanation: You have entered an NCL command with two or more of the same attribute.

Entity Class Not Supported

Explanation: You have specified an entity class that is not supported or has not been created.

Entity Is In The Wrong State

Explanation: Due to the state of the entity, it would not accept one of the attribute values in the command.

Filter Invalid For Action

Explanation: You have specified a filter that is invalid for the specified command.

Filter Specified With Wildcarded Class

Explanation: You have specified a filter by using a wildcard. It is an invalid use of a wildcard.

Get List Error

Explanation: An error was detected while getting one or more of the requested attributes.

Has Children

Explanation: You have attempted action on a parent entity that requires you to delete the children entities first.

Invalid Argument Value

Explanation: You have specified one or more arguments with values outside the permitted range.

Invalid Attribute Value

Explanation: You have specified one or more attributes with values outside the permitted range.

Invalid Directive

Explanation: You have attempted to issue an unsupported command.

Invalid Entity Name Format

Explanation: You have specified an illegal entity name.

Invalid Filter

Explanation: You have specified a filter that is invalid for one or more of the entities named.

Invalid Invocation Identifier

Explanation: You have specified an unsupported identifier.

Invalid Item List Format

Explanation: You have specified an illegal item list format.

Interpreting NCL Error Messages

A.3 NCL Exception Messages

Invalid Operator

Explanation: You have specified an unsupported operator.

Invalid Use Of Wildcards

Explanation: You have specified wildcards in an entity name where this is not supported.

No Resources Available

Explanation: The entity could not complete the requested operation due to lack of resources. Typically, this refers to memory or if a resource like maximum links has been exceeded. If you receive this message on startup, try raising the PQL_MBYTLM SYSGEN parameter.

No Responses Ready

Explanation: The entity could not complete the requested operation because the entity received no response.

No Such Action Verb

Explanation: The specified action verb is not supported by the entity.

No Such Argument

Explanation: You have specified one or more arguments that are not supported by the entity for the specified action.

No Such Attribute ID

Explanation: You have specified one or more attribute IDs that are not supported by the entity for the specified action.

No Such Entity

Explanation: The entity instance specified in the command does not exist.

No Such Object Instance

Explanation: The object instance specified in the command does not exist.

Not a Universal Attribute Group

Explanation: You have specified an unsupported attribute group.

Operation Failure

Explanation: You have specified an illegal operation.

Operation Not Supported

Explanation: You have specified an operation that is not supported by NCL.

Overflow While Filling Buffer

Explanation: The specified operation has resulted in a buffer overrun. Try increasing MAXBUF or the process quota.

Process Failure

Explanation: The entity raised an action-specific exception while attempting the specified action.

Interpreting NCL Error Messages

A.3 NCL Exception Messages

Read-only Attribute

Explanation: You have specified a non-read operation on a read-only attribute.

Requested Attribute Is Not Active

Explanation: You have specified action on an attribute that is not enabled.

Required Argument Omitted

Explanation: You have omitted one or more required arguments in the specified command.

Set List Error

Explanation: An error was detected while setting one or more of the requested attributes or a set value is improperly specified. For further information, refer to Section 1.4.3 in the Introduction of this manual.

Unknown CMIP Error Status

Explanation: The remote system is running a CMIP protocol that is not compatible with NCL, and/or you have mismatched versions of NCL, CML, or EMAA, or you are using an older version of DECnet-Plus to manage a new one.

Unknown EMAA Error Status

Explanation: The remote system is running an EMAA that is not supported by NCL, and/or you have mismatched versions of NCL, CML, or EMAA, or you are using an older version of DECnet-Plus to manage a new one.

Unknown Response Failure Code

Explanation: The operation has produced an error code that NCL does not support, and/or you have mismatched versions of NCL, CML, or EMAA, or you are using an older version of DECnet-Plus to manage a new one.

Write-only Attribute

Explanation: You have specified a non-write operation on a write-only attribute.

Wrong State

Explanation: The entity is in a state that is illegal for the attempted operation. (For specific information on legal states, see the command description for the specified entity.)

Common Data Types for NCL

B.1 Overview of Data Types

This appendix defines each supported NCL data type. The definitions include the values allowed for the type, any relations defined on each type (including equality and ordering relation), and any wildcard symbols that are allowed. Before going into the details of each data type, it is helpful to understand the ideas and terminology underlying the definitions.

B.1.1 What Is a Data Type?

The term *data type* is used throughout the computer industry. Commonly, a data type represents a set of values to which any given value must belong. This set may be represented either explicitly, by enumeration, or implicitly, by rules. For example, the data type *boolean* may be represented explicitly as the set (true or false). The data type *Latin1String*, however, has an infinite number of possible values and must be described as a set of rules. The rules consist of restrictions on characters used and methods of quotation.

In the DECnet-Plus Enterprise Management Architecture (EMA) model, *data type* includes the object-oriented interpretation. The description of a data type also defines rules for implementing commonly used operations on values of that same data type. For example, the definition of the *simple-name* data type includes a description of how to test two values of this type for equality. Since *simple-name* values should be compared in a case-insensitive way, they cannot be treated as a string of bytes or some other generalization. *Simple-name* values, however, may be entered with a format similar to a *Latin1String* data type.

Thus, for each data type, we define the behavior of values with respect to the following operations:

- Parsing—the conversion from text to internal form
- Display—the conversion from internal form to text
- Management protocol encoding
- Equality testing (optional)
- Ordering (optional)
- Wildcard matching (optional)
- Construction rules (optional)

All base data types support parse, display, and protocol encoding.

Optional operations may not be supported for a given data type. For example, it is impossible to order values of the *unique identifiers* (UID) data type, because they were not designed for this purpose. You can, however, test for equality of entity UIDs, and order *binary absolute time* (or timestamp) values.

Common Data Types for NCL

B.1 Overview of Data Types

B.1.2 Kinds of Data Types

This section describes two kinds of data types:

- Base data types
- Constructed data types

B.1.2.1 Base Data Types

Base data types cannot be defined in terms of other data types. For example, the *octet string* data type contains printable strings. The *Latin1String* data type is a subset of *octet string*; however, the *Latin1String* data type exists independently of the *octet string* and is not printable.

However, the method of printing *Latin1String* values, which are just text strings, is quite different from the method of printing *octet string* values. *Octet string* values are displayed as hexadecimal strings (see Section B.3.18 for details). Therefore, the *Latin1String* data type is defined as an entirely separate base data type.

For another example, the data type *IPAddress* is the representation of a TCP/IP network address. The *IPAddress* type cannot be defined in terms of the *octet string* type, for instance, because IP addresses do not parse or display in the same manner as *octet string* values. Here is the same string of bytes in both *IPAddress format*, and *octet-string format*:

```
IPAddress: 16.20.0.10
octet string: '1014000a'H
```

Since none of the previously existing base types can support the desired user representation of an *IPAddress*, a new base type with the appropriate rules for parse, display, and other operations is defined for this purpose.

B.1.2.2 Constructed Data Types

Constructed data types allow the entity designer to create new data types without changing the DECnet-Plus software in any way. For example, consider the data type of the *type* attribute of the *routing* entity. This attribute is registered with the following syntax:

```
ATTRIBUTE Type = 1: RouterType
...
END ATTRIBUTE Type;
```

Where *RouterType* is the data type of the attribute. This constructed type is registered elsewhere as:

```
TYPE RouterType = 8 (
    Endnode      = 0 ,
    L1Router     = 1 ,
    L2Router     = 2 ) ;
```

This data type declaration is an *enumeration*. If you are familiar with the C programming language, then you have encountered similar constructs. The *type* declaration here means that the *type* attribute may only be set to one of the values shown in the *RouterType* declaration above.

As another example, consider the fictitious data type

```
TYPE IntegerSet = 2002 : SET OF Integer;
```

IntegerSet is defined as a set of integers. This data type is a constructed type because it contains two base types, *SET OF* and *Integer*. The parse, display, and other operational rules for the *SET OF* data type are not altered by the fact that the set contains values of type *Integer*. The operational values of the type *Integer* remain unaffected as well. Therefore, the constructed data type *IntegerSet* is a *SET OF Integer*.

Any data type may be used in defining a constructed data type, but only some data types actually define methods for these constructions. In the example of the constructed data type *SET OF Integer*, the *Integer* data type definition does not actually state that it can be used inside a *SET OF* data type. The *SET OF* data type, however, does state that any other data type can be used as the contents of the set. Thus, it is the *SET OF* data type that includes the rules for constructing new types from it.

New base types are defined when the entity designer needs a value that cannot be defined as a constructed type (as some subset or supported combination of existing base types). The existing set of base types represents an engineering trade off between consistency of user interface and adherence to existing conventions for network management.

B.2 Data Types and Supported Operations

Table B–1 shows which optional operations are supported for each of the data types. The table uses the following symbols:

- Y — Yes
- N — No
- Y-IF — Yes, if all requirements are met (see type description)
- I — Implementation dependent

Table B–1 Data Types and Supported Operations

Data Type	Equality	Ordering	Wildcard	Construction
Boolean	Y	N	N	N
Integer (8,16,32)	Y	Y	N	Y
Unsigned (8,16,32)	Y	Y	N	Y
Octet	Y	Y	N	N
Octet string	Y	Y	N	N
Hex-string	Y	Y	N	N
Null	Y	N	N	N
Latin1String	Y	I	N	N
Filespec	I	I	I	N
ObjectIdentifier	Y	N	N	N
UID	Y	I	N	N
NSCTS	Y	I	N	N
Counter (64,32,16)	Y	Y	N	N
Simple-name	Y	I	Y	N

(continued on next page)

Common Data Types for NCL

B.2 Data Types and Supported Operations

Table B–1 (Cont.) Data Types and Supported Operations

Data Type	Equality	Ordering	Wildcard	Construction
Phase4Name				
Fullname	Y	I	Y	N
BinAbsTime ¹	Y	Y	N	N
BinRelTime ¹	Y	Y	N	N
CharAbsTime ¹	Y	Y	N	N
CharRelTime ¹	Y	Y	N	N
ID802	Y	Y	N	N
EthernetProtocolType	Y	Y	N	N
IEEE802SNAPPID	Y	Y	N	N
DTEAddress	Y	I	Y	N
NSAPAddress ²	Y	N	N	N
NetworkEntityType ²	Y	N	N	N
AreaAddress ²	Y	N	N	N
AddressPrefix ²	Y	N	N	N
Phase4Address				
IPAddress				
TransportSelector	Y	Y	N	N
End-user-specification	Y	N	N	N
TowerSet	Y	N	N	N
ProtocolTower ³	Y	N	N	N
Floor ³	Y	N	N	N
Local-entity-name ⁴	Y	N	Y	N
Full-entity-name ⁴	Y	N	Y	N
Version	Y	Y	N	N
VersionWithEdit	Y	Y	N	N
Implementation	Y	N	N	N
ComponentName	Y	N	N	N
Enumeration	Y	Y	N	Y
Bit-set	Y	Y	N	Y
Range	Y	N	N	Y
Record	Y	Y-IF	Y-IF	Y
SequenceOf	Y	N	Y	Y
SetOf	Y	Y-IF	N	Y

¹See "Time Data Types" (Section B.3.23)

²See "Network Layer Addresses" (Section B.3.14)

³See "TowerSet" (Section B.4.9)

⁴See "Entity Name" (Section B.3.4)

B.3 Definitions of Base Data Types

The following sections describe data types. Many of the data types listed in the per-entity documentation are not base types, but constructed types. Look in the beginning of the per-entity documentation to find the definition of these constructed types.

B.3.1 Boolean

The *boolean* data type has two values, true and false, in an undefined order.

On output, the strings appear as true and false. On input, the words true or false may be abbreviated to a single character and are not case-sensitive. The *boolean* data type does not support the use of wildcard symbols.

B.3.2 Counters

All counters for an entity are created together and a time of creation is associated with the block. The following counter types are defined:

Type	Modulus
Counter16	2^{16}
Counter32	2^{32}
Counter64	2^{64}

If no modulus is specified, or if the type Counter is specified without reference to a modulus, the modulus 2^{64} is assumed. The counter is displayed as an unsigned integer. It cannot be set to zero.

In DECnet-Plus, when a counter reaches its maximum value, its next value is zero. Counters never latch (as they did in Phase IV). Consequently, there is never any need to reset or zero the counters. This is called "wrapping counters" because the values wrap around to zero (they are like true modulo $2^{**}n$ integer values).

NCL and other network management applications are able to cope with wrapping counters and can still compute counter differences, even if the second sampled value of the counter is less than the first because of counter wrap. The implicit assumption is that any counter with n (where n is a power of 2) distinct possible values cannot be changed more than n times between samples. Since all DECnet-Plus counters are 64-bit counters, the number of possible values is 2 raised to the 64th power, which is a 20-digit decimal number. Very few counters will ever exceed 32 bits, and it does not appear likely that a 64-bit counter will ever wrap once, let alone twice.

B.3.3 DTE Address

A DTE Address is an X.25-defined address of some data terminal equipment (DTE). It is represented as a *Latin1String* whose length is 0 to 15 digits or wildcard characters. Wildcard characters can be embedded: the asterisk (*) matches any sequence of zero or more digits; the question mark (?) and percent sign (%) match any single digit.

The user-visible syntax of a DTE address is {digit-wildcard}. For example, 5084865322 is a DTE address.

Common Data Types for NCL

B.3 Definitions of Base Data Types

B.3.4 Entity Name

The entity name data type holds an arbitrary name of an entity. It is usually used as a pointer, so that an attribute (or argument) can refer to another entity.

Entity names appear in two forms: as a *full-entity-name*, which includes both the global and the local portion of the entity's name, and as a *local-entity-name*, which includes only the local portion of the entity's name. A *local-entity-name* is always assumed to be subordinate to the node executing the directive. A *local-entity-name* is a convenient method of describing the configuration of the components that comprise a node.

Entity names can be accessed by wildcards.

An entity class (the sequence of classes) is also a defined type, both as a full class name and as a local class name. For example, routing circuit csmacd-c2 is a local entity name. Neither the full nor local class name has a defined order, but allow the use of wildcards in the same manner as an entity name.

B.3.5 EthernetProtocol

The *EthernetProtocol* data type consists of two octets, Octet #0 and #1. Octet #0 is transmitted first.

The user-visible representation is a pair of octets (each a hex-digit) separated by a hyphen (-). For example 60-03 is a valid Ethernet data type.

B.3.6 Filespec

Wildcard symbols may be supported, as defined by the target implementation.

A file specification appears in one of three forms, depending on the characters it contains. While most file specifications can be entered and displayed as simple names, the inclusion of certain punctuation characters or any control character makes the interpretation of the file specification ambiguous. The following three forms of a file specification may be entered or displayed:

- **Simple File Specification**

A file specification is a simple file specification if it consists solely of the following characters:

alphanumeric Aa to Zz and 1 to 9	hyphen -
dollar sign \$	underscore _
period .	brackets []
angle brackets <>	backslash and slash \ /
asterisk *	percent sign %
question mark ?	colon :
semicolon ;	

The file specification may be input directly as a quoted file specification or as a binary file specification. On output, it is displayed directly.

- **Quoted File Specification**

When the file specification consists of any of the *Latin1String* character set, but is not a simple file specification, then the file is a quoted file specification. On input, a quoted file specification is displayed as a *Latin1String* or as a binary file specification. On output it is displayed as a *Latin1String*.

- **Binary File Specification**

If the file specification is not a simple or quoted file specification, it is a binary file specification. Binary file specifications are entered and displayed as an *octet-string*. For example,

```
'01'H      (a^A)
```

The *filespec* data type for a file specification should be compatible with the transference of file specifications in the DECnet Data Access Protocol (DAP). Since file specifications are interpreted according to the file system at the target entity, there is no guarantee that a file specification for one operating system will be acceptable to another. The target implementation defines the ordering of *filespec*.

B.3.7 Fullname

The *fullname* data type represents globally distinct names and does not have a defined ordering. It does support the use of wildcards. The supported symbols include the asterisk (*), which matches any sequence of zero or more characters, and the question mark (?), which matches any single character. For example, `phasev_nsp.usa.mass.admin.fred` is a full name.

For more information, refer to the *DECnet-Plus DECdns Management Guide*.

B.3.8 Hex-String

A *hex-string* represents a string of zero or more hexadecimal digits (also called semi-octets or nibbles). A *hex-string* differs from an *octet-string* only in that it allows for an odd number of hexadecimal digits. Two *hex-strings* are equal if they have the same length and hexadecimal digits. Ordering is defined as with an *octet-string*, except the comparison is by hexadecimal digit rather than by octet. The *hex-string* data type does not support wildcards.

Enter the hex-string as follows:

```
' {hex-digit} ' h | % x { hex-digit }
```

On output, the hex digits A to F are displayed in uppercase. For example, `'AABBCC'h` is a hex-string.

B.3.9 ID802

An ID (or System ID or LAN Address), is a 48-bit quantity, uniquely assigned over space and used as an Ethernet or IEEE 802.3 CSMA-CD address (and for other purposes).

An ID consists of six octets (48 bits) numbered from 0 to 5. When transmitted on an 802.3 LAN, the least significant bit of Octet 0 is transmitted first and the most significant bit of Octet 5 is transmitted last.

The user-visible representation of a system ID is six octets, each displayed as a pair of hexadecimal digits separated by hyphens (-) in the order 0,1,2,3,4,5. For example:

```
08-00-2B-02-B0-C0
```

Common Data Types for NCL

B.3 Definitions of Base Data Types

B.3.10 IEEE802SNAPPID (Protocol Identification)

The *IEEE802SNAPPID* (IEEE 802 Sub-Network Access Protocol (SNAP), Protocol Identification) consists of five octets numbered from 0 to 4. When transmitted on an 802.3 LAN, the least significant bit of Octet 0 is transmitted first, and most significant bit of Octet 4 is transmitted last.

The user-visible representation is five octets, each displayed as a pair of hex digits separated by hyphens (-) in the order 0,1,2,3,4. For example,

01-23-45-67-89.

B.3.11 Implementation and Component Name

An *implementation* data type identifies the components that make up an entity and their implementation versions. An *implementation* is a *set of components*, where each component is a record containing a registered component name and a version. The version field may be of any base type, although it is recommended that the common *version* or *version-with-edit* data type be used. The data type used for the version field is registered with the component name.

Enter the type as follows:

```
{ [Name=component-name, Version=version_number] }
```

For example:

```
{[Name=DECnet VAX, Version=V5.0.0-123],  
 [Name=VMS, Version=T5.1.0],  
 [Name=VAX 780, Version=V3.1.7]}
```

B.3.12 Integer

The *integer* data type represents *signed* or *unsigned* integer values. The *signed* integer values may range from -2^{31} to $+2^{31}-1$, following the normal ordering. The *unsigned* integer values may range from 0 to $+2^{32}-1$, following the normal ordering. Remember the following:

- Both signed and unsigned integers may be represented in 4 bytes.
- Accepted integer syntax should be followed when entering the integer values.
- Wildcard symbols are not supported.
- Ordering is supported.

B.3.13 Latin1String

The *Latin1String* type represents general, printable text strings. These strings can be of any length (including zero). The characters in the Latin 1 set are described in ISO DIS 8859/1 Latin Alphabet Nr 1.

Only printable characters appear in a *Latin1String*. ASCII control characters (00 to 1F, 7F, and 80 to 9F (hex)) cannot appear.

On input and output, the string is embedded either quote characters (") or apostrophe characters ('). Double the quote character to embed a quote within a string delimited by the same type of quote character.

B.3.14 Network Layer Addresses

Network layer addresses in DNA may be of four types:

- Complete network service access point (NSAP) address.
- Network entity title (NET)-NSAP address with the selector set to 00.
- Area address-NSAP address minus the last seven octets.
- Address prefix-leading substring of an area address.

None of these data types have a defined ordering or support the use of wildcards. Refer to the *DECnet-Plus Introduction and User's Guide* for a description of the parts of a DECnet-Plus Network layer address.

B.3.15 Nodename

The *nodename* is used to represent names of nodes using either a *full-name* or a Phase IV node name. The only difference between a *node-name* and a *full-name* is that a *nodename* must also be a Phase IV synonym.

B.3.16 Null

The *null* data type is used when the set of possible values is empty. This is used only to indicate that an entity class has no instance identifier, and then (to make the CMIP protocol complete) a *null* value is sent.

The *null* type cannot be assigned to an attribute or argument.

B.3.17 Object-Identifier

The *object-identifier* data type represents registered values of the ISO object identifier. Ordering is undefined and wildcarding symbols are not supported. For example, 1.2.3.4.5.6 represents a registered value.

B.3.18 Octet and Octet String

The *octet string* data type is used to represent arbitrary data (octets). It is displayed as a hexadecimal string (that is, *HI-n* in old NICE form). The length of an octet string is variable, without a maximum, and may be zero.

The *octet* data type represents a single byte (8 bits) of data. While similar to an *octet-string* of length 1, it has a slightly different user-visible representation. The ordering of *octet* is defined by considering an octet as an unsigned 8-bit quantity. Two *octets* are equal only if they have the same length and the same octets.

On output, the hexadecimal digits A to F are uppercase.

The *octet* data types do not support the use of wildcard symbols.

The user-visible representation of an *octet-string* appears as follows:

```
' {octet} ' h | % x {octet}
```

For example, %x89ABCDEF or '89ABCDEF'h are valid representations.

Common Data Types for NCL

B.3 Definitions of Base Data Types

B.3.19 Phase4Address

The *Phase4Address* data type is used for Phase IV-style node addresses. It is an unsigned, 16-bit integer where the least significant ten bits (bits 0 to 9) encode the local address and the most significant six bits (bits 10 to 15) encode the area number. Local address is an integer from 1 to 1023 and area number is an integer from 1 to 63. The area number zero and the local address zero are reserved to represent all areas and all local addresses, respectively, and are represented by the asterisk (*) character when user-visible. *Phase4Address* data types are ordered by the value of the equivalent unsigned integer.

For example, 4.83 is a *Phase4Address*.

B.3.20 Phase4Name

The *Phase4Name* data type is used for Phase IV-style node names. It is a *Latin1String* whose length is restricted from 1 to 6 characters from the set A to Z, or 0 to 9, at least one of which is a letter. The type is ordered as a normal character string. Node names can contain wildcard symbols: the asterisk (*) matches a sequence of zero or more characters; the percent sign (%) matches any single character.

For example, LEAF97 is a *Phase4Name*.

B.3.21 Presentation-Address

The *presentation-address* data type defines the format that should be used for all presentation addresses in OSI applications.

The *presentation-address* data type is represented using the *Latin1String* data type. Its values must conform to the following syntax (shown in BNF). This syntax is an extension of the Internet standard for representing OSI presentation addresses.

```
<presentation-address> ::= [[ [ <psel> "/" ] <ssel> "/" ]
                             <tssel> "/" ] <network-address-list>

<psel>           ::= <selector>
<ssel>           ::= <selector>
<tssel>          ::= <selector>
<selector>       ::= "' ' <otherstring> ' '           1
                   | "#" <digitstring>             2
                   | "' ' <hexstring> "'H"
                   | ""
<network-address-list> ::= <network-addr> [ "|" <network-addr> ]
                           | <network-addr>
<network-addr> ::= <network-address> [ "," <network-type> ]
<network-type> ::= "CLNS" | "CONS" | "RFC1006"       3
<network-address> ::= "NS" "+" <dothexstring>      4
                   | <afi> "+" <idi> ["+" <dsp>]
                   | <idp> "+" <hexstring>         5
                   | RFC1006 "+" <ip> ["+" <port>]  6
<idp>            ::= <digitstring>
```

Common Data Types for NCL B.3 Definitions of Base Data Types

```

<dsp> ::= "d" <digitstring> 7
        | "x" <dothexstring> 8
        | "l" <otherstring> 9
        | "RFC1006" "+" <prefix> "+" <ip> ["+" <port>
        | "+" <tset>]]
        | "X.25(80)" "+" <prefix> "+" <dte>
        | "+" <cudf-or-pid> "+" <hexstring> ]
        | "ECMA-117-Binary"
        "+" <hexstring> "+" <hexstring>
        "+" <hexstring>
        | "ECMA-117-Decimal"
        "+" <digitstring> "+" <digitstring>
        "+" <digitstring>

<idi> ::= <digitstring>

<afi> ::= "X121" | "DCC" | "TELEX" | "PSTN"
        | "ISDN" | "ICD" | "LOCAL"

<prefix> ::= <digit> <digit>

<ip> ::= <domainstring> 10

<port> ::= <digitstring> 11

<tset> ::= "TCP" | "IP" | <digitstring> 12

<dte> ::= <digitstring>
<cudf-or-pid> ::= "CUDF" | "PID"

<decimaloctet> ::= <digit> | <digit> <digit>
                 | <digit> <digit> <digit>
<digit> ::= [0-9]
<digitstring> ::= <digit> <digitstring>
                 | <digit>
<domainchar> ::= [0-9a-zA-Z-.]
<domainstring> ::= <domainchar> <otherstring>
                 | <domainchar>
<dotstring> ::= <decimaloctet> "." <dotstring>
               | <decimaloctet> "." <decimaloctet>
<dothexstring> ::= <dotstring>
                  | <hexstring>
<hexdigit>:: ::= [0-9a-fA-F]
<hexoctet> ::= <hexdigit> <hexdigit>
<hexstring> ::= <hexoctet> <hexstring>
               | <hexoctet>
<other> ::= [0-9a-zA-Z+-.]
<otherstring> ::= <other> <otherstring>
                | <other>

```

- 1 Value restricted to printed characters
- 2 U.S. GOSIP requirement
- 3 Network type identifier (the default is CLNS)
- 4 Concrete binary representation of network (NSAP) address value
- 5 ISO 8348 compatibility
- 6 RFC 1006 preferred format

Common Data Types for NCL

B.3 Definitions of Base Data Types

- 7 Abstract decimal format for domain specific part (DSP)
- 8 Abstract binary for DSP
- 9 Printable character format for DSP (for local use only)
- 10 Dotted decimal notation (10.0.0.6) or domain name (twg.com)
- 11 TCP port number (the default is 102)
- 12 Internet transport protocol identifier (1 = TCP and 2 = UDP)

Keywords can be specified in either uppercase or lowercase. However, selector values are case sensitive. Spaces are significant.

Note that you can find more information about network (NSAP) addresses in the *DECnet-Plus for OpenVMS Introduction and User's Guide*.

The following examples illustrate the use of this data type:

1. "my_psel"/"my_ssel"/"my_tsel"/LOCAL++x0001aa000400d90621
"my_psel"/"my_ssel"/"my_tsel"/NS+490001aa000400d90621,CLNS

These examples both specify the same presentation address. The first example uses the LOCAL authority and format identifier (AFI), which does not have an initial domain identifier (IDI). The two plus signs (++) indicate that the IDI is missing. By default, the network type is CLNS. The second example uses the value of the LOCAL AFI, which is 49.

2. "256"/NS+a433bb93c1,CLNS|NS+aa3106,CONS

This is a presentation address that has a transport selector (no presentation or session selector) and two network addresses. The first network address is CLNS (for a connectionless network) and the second is CONS (for a connection-oriented network). These network addresses are specified in concrete binary form. This form can be used only when the concrete binary representation of the network address is known.

3. #63/#41/#12/X121+234219200300,CONS

This presentation address has presentation, session and transport selectors, and a single network address which consists of an AFI (X121) and an IDI (234219200300). There is no domain-specific part.

4. '3a'H/TELEX+00728722+X.25(80)+02+00002340555+CUDF+"892796"

This is a network address for X.25. Note that, because CONS is not specified, the network type defaults to CLNS.

5. RFC1006+10.0.0.6519,RFC1006

This is an RFC 1006 address. The address is not an ISO network address but the combination of an IP address and a TCP port number, which is 519 in this example. The IP address can be specified as either a DNS domain name or an IP address. For an RFC 1006 address, the network type can be omitted.

B.3.22 Simple-Name

This base data type allows most names to be represented as unquoted strings. The *simple-name* data type also allows some values to be expressed as quoted strings and other values as binary data.

The *simple-name* data type does not have a defined ordering but it does support the use of wildcards. The supported symbols include the asterisk (*), which matches any sequence of zero or more characters, and the question mark (?), which matches any single character.

For example, `tweedle_dee`, `"tweedle dee"`, and `%x4700050020AA0004005310` are simple names.

B.3.23 Time Data Types

Four time data types are available for use with NCL. Each is a built-in data type for management, and does not support wildcard symbols. The four are:

- `CharacterAbsoluteTime`
- `BinaryAbsoluteTime`
- `CharacterRelativeTime`
- `BinaryRelativeTime`

For example, `1995-08-18-14:47:47-05:00I0.168` is a time data type of the `BinaryAbsoluteTime` data type.

You can order time values. For example, the following command makes use of the ordering property of the time data types:

```
ncl> show node busy session control port * all, with creation time > 16:45
```

B.3.24 TransportSelector (TSEL)

The *TransportSelector* (or TSEL) data type is used by OSI Transport to identify a particular OSI Transport port.

A *TransportSelector* is an octet string, of 0 to 32 octets in length.

The user-visible representation, ordering, and use of wildcards is the same as for an *octet-string* (Section B.3.18).

B.3.25 UID

The *UID* data type provides unique space and time identifiers and does not support wildcard symbols. No two UIDs are ever the same. A UID is hexadecimal. For example, `7834E80-E519-1119-8D8D-08002B16A872` is a valid UID.

The user-visible presentation of a UID consists of four fields, separated by spaces:

```
UIDTime UIDVersion UIDClock UIDNodeID
```

where

- `UIDTime` is `InstantaneousTime`
- `UIDVersion` is `Integer`
- `UIDClock` is `Integer`
- `UIDNodeID` is `ID`

Common Data Types for NCL

B.3 Definitions of Base Data Types

B.3.26 Version

The *version* data type is used to encode a version number of a particular entity (usually a module or node entity) in a standard way. Wildcard symbols are not supported.

The version number contains the four subfields: status, major version, minor version, and an edit or revision number.

The version status subfield indicates whether the version is Approved (V), Field Test (T), or Draft (X).

The order of version numbers is defined by checking the fields in the order:

1. Major
2. Minor
3. Status (with $V > T > X$)
4. Revision Number

Enter the version number as follows:

```
version-status.major.minor.eco
```

For example, T5.0.2 is a valid version number.

B.3.27 Version-With-Edit

The version number with an edit number is commonly used and is represented as a separate type called *version-with-edit*.

Enter the number as follows:

```
version_number-edit_number
```

For example:

```
X5.0.13-967
```

B.4 Definitions of Constructed Data Types

B.4.1 Bit-Set

The *bit-set* data type is an efficient means of describing small quantities of a base type's sets of values.

The order of a *bit-set* is defined by $A \leq B$ if A is a subset of B. $A = B$ means normal set equality. No wildcard symbols are defined for bit sets.

The user-visible representation of a set is to enclose the set values in bracketing characters, with the values separated by commas. Braces are used as bracketing characters for both input and output. For example, {0,2,3,5}.

B.4.2 End-User-Specification

An *end-user-specification* is defined by session control and used as an address of a particular end user. This is generally equivalent to Phase IV object name and number.

The user-visible syntax is the standard syntax for a record. For example, Number=25 and Name=FAL are valid.

Note that *end-user-specification* does not work as a filter attribute in a *with* clause.

B.4.3 Enumeration

The *enumeration* data type represents a collection of defined, named values, (for example, Sunday, Monday...Saturday). A keyword, which may be one or more words, names each value. An integral number code represents each value in the protocol and in the interfaces. The architect constructing this type assigns the codes and keywords.

Codes and keywords as defined here also identify entity classes, attributes, directives, responses, exceptions, event reports, and arguments.

On output, the keyword is presented as defined. The case used in the definition is preserved.

On input, any legal abbreviation of the keyword is allowed. Legal abbreviation is determined by the director architecture, allowing for some flexibility depending on the parser.

B.4.4 Range

The *range* type constructor defines a new type whose value is a set of values selected from a base type. The set is defined by specifying an upper and lower boundary of the set. The base type must have a well-defined ordering of values. Ranges can be defined for integers, enumerated types, Latin1Strings, and so forth. The order of a *range* type is undefined. *range* values may not contain wildcards.

For example, if a *value* type is defined as a range of integers, an example might be: [10...100].

B.4.5 Record

A *record* is a data type containing one or more fields, each with its own predefined data type. Recursive definitions are not allowed. The fields can be either a fixed collection, that is, all the fields always appear and always in the defined order, or a variant record (described in Section B.4.10).

A record type's order is defined by the order of the fields defined in the records.

The fields within a record may contain wildcard symbols, as allowed by their type. For example,

```
[node=usa:.boston.admin, EndUser=michael]
```

The brackets are optional.

B.4.6 Sequence of A-Type

A-type can be replaced by any one type, such as a *LIST OF* type. Sequence is used where the number of elements in a list varies, the order of the elements in the list has meaning, and the elements of a list are repeated. The syntax for declaring a sequence is:

```
SEQUENCE OF element-type
```

The order of two sequences is undefined. Wildcard symbols are allowed within the elements of the list, as allowed by the base type.

On output, braces are used to bracket the elements. For example, here is a sequence of *simple-names*:

```
{ Diane, Patty, Mark, Cyndi, Carly }
```

Note that sequences do not work as filter attributes in a *with* clause.

Common Data Types for NCL

B.4 Definitions of Constructed Data Types

B.4.7 Set of A-Type

Set is used where the number of elements in the set varies, the order of the elements in the set has no meaning, two copies of an element value are equivalent to a single copy of the element, and the element type has more possible values than can be efficiently represented using a *bit-set*.

Set $A \leq B$ if A is a subset of B. $A < B$ is not defined on Sets. $A = B$ means normal set equality. Wildcard symbols are not allowed within the set.

On output, braces bracket the elements.

Note that sets do not work as filter attributes in a *with* clause.

B.4.8 Subranges of a Base

New types can be constructed by limiting the values of an existing type to a subset in the new type. The mechanism used to specify the subset depends upon the base type. The user-visible representation is identical to the base type. The order of a subrange type is inherited from the base type.

For *integers* and *enumeration*, the subrange is defined by the low and high values in the base type. The user-visible representation is that of the base type. For example:

```
TYPE
    CircuitCost = Integer [1...32];
```

The following *integer* subranges are already defined:

- Integer 8, $[-2^7 \dots 2^7 - 1]$
- Integer 16, $[-2^{15} \dots 2^{15} - 1]$
- Integer 32, $[-2^{31} \dots 2^{31} - 1]$
- Unsigned, $[0 \dots 2^{32} - 1]$
- Unsigned 8, $[0 \dots 2^8 - 1]$
- Unsigned 16, $[0 \dots 2^{16} - 1]$
- Unsigned 32, $[0 \dots 2^{32} - 1]$

B.4.9 TowerSet

The *TowerSet* data type is used at the DNA session control interface to specify addressing information. The idea behind the tower set is that a given networking service may be accessible through many different combinations of protocols and addresses. The *TowerSet* data type is intended to allow the end user to specify any arbitrary combination of protocols and addresses to session control. Of course, most end users do not want to do this, so normally the end user would specify the name of the service, and DNA session control would look up the *TowerSet* of the service (its address) using the DNA Naming Service, and would try to establish a connection using any one of the possible ways of connecting to the remote service. Table B-2 shows TowerSet levels of specification.

Common Data Types for NCL

B.4 Definitions of Constructed Data Types

Table B-2 TowerSet Levels of Specification

TowerSet	A set of ProtocolTower
ProtocolTower	A sequence of Floor
Floor	(Protocol ID, address) pair
Protocol ID	Name or number of a network protocol
Address	Address of this service with respect to a protocol

A *ProtocolTower* specifies a layering of protocols that can be used to access the network service. The top floor in a *ProtocolTower* corresponds to the highest-level protocol and the bottom floor to the lowest-level protocol. Usually the Network layer (layer 3 in the OSI model) is the lowest level of protocol needed.

A *Floor* is a particular (protocol, address) pair used within a *ProtocolTower* to access a remote service. The data type of the address is a function of the protocol. For example, the DNA_OSInetwork protocol uses an NSAP as the address, whereas DNA_SessionControlV3 uses an *end-user-specification*. Some protocols do not require an address; for example, the Application layer (top layer) does not require an address.

A protocol ID is the name or number of a protocol.

An address value specifies the SAP (service access point) to be used by the application for this particular protocol.

For example, the node entity's *address* attribute is given by NCL as:

```

Address =
{
  (
    [ DNA_CMIP-MICE ] ,
    [ DNA_SessionControlV3 , number=19 ] ,
    [ DNA_OSIttransportV1 , 'DEC0'H ] ,
    [ DNA_OSInetwork , 41:45418715:00-41:08-00-2B-16-A8-72:21 ]
  ) ,
  (
    [ DNA_CMIP-MICE ] ,
    [ DNA_SessionControlV3 , number=19 ] ,
    [ DNA_OSIttransportV1 , 'DEC0'H ] ,
    [ DNA_OSInetwork , 49::00-0C:AA-00-04-00-50-30:21 ]
  ) ,
  (
    [ DNA_CMIP-MICE ] ,
    [ DNA_SessionControlV2 , number = 19 ] ,
    [ DNA_OSIttransportV1 , 'DEC0'H ] ,
    [ DNA_IP , 161.114.94.62 ]
  ) ,
  (
    [ DNA_CMIP-MICE ] ,
    [ DNA_SessionControlV3 , number=19 ]
    [ DNA_NSP ] ,
    [ DNA_OSInetwork , 41:45418715:00-41:08-00-2B-16-A8-72:20 ] ,
  ) ,
  (
    [ DNA_CMIP-MICE ] ,
    [ DNA_SessionControlV3 , number=19 ] ,
    [ DNA_NSP ] ,
    [ DNA_OSInetwork , 49::00-0C:AA-00-04-00-50-30:20 ]
  )
}

```

Common Data Types for NCL

B.4 Definitions of Constructed Data Types

The above example shows all the possible methods of connecting to the CML (CMIP Management Listener) on a DECnet-Plus node. There are five *ProtocolTower* values in this *TowerSet* because there are two possible transport protocols that can be used:

```
{ DNA_OSItransportV1, DNA_NSP }
```

There are also two possible network addresses where this node can be reached:

```
{ 49::00-0C:AA-00-04-00-50-30:20, 41:45418715:00-41:08-00-2B-16-A8-72:20 }
```

In addition, the *DNA_OSItransportV1* transport protocol is used to support an IP address: 161.114.94.62.

All possible combinations of members of these two sets will produce five combinations. For all towers except the IP tower, the upper two floors of each *ProtocolTower* are identical.

Usually, the node registers its *TowerSet* automatically with the naming service; the end user would not enter it. However, if the naming service is unreachable from the network manager's node, it may be necessary to manually enter a *TowerSet*. Enter a single *ProtocolTower*. It may be possible to omit the upper floor since it is not yet used by applications.

If the node entity identifier is formally defined to be a *TowerSet*, NCL allows the end user to enter the identifier by Phase IV address and by NSAP. In such cases, NCL infers the *TowerSet* from a much more abbreviated form of address.

B.4.10 Variant Records

Variant records extend the record type constructor by allowing the structure of a record to vary, depending upon the value of one of the nonvarying fields.

The user-visible representation is the same as that for a record (Section B.4.5.)

A

- abbreviations
 - used in NCL commands, 1–13
- aborting an operation, 1–3
- access control
 - information, 1–12, 1–17
- action commands, 1–10
- add command, 1–7
- alias entity, 3–2
 - commands, 3–2
 - counters, 3–2
 - exception messages, 3–2
- alias port entity, 3–3
 - arguments, 3–3
 - characteristics, 3–3
 - commands, 3–3
 - counters, 3–4
 - exception messages, 3–4
 - identifiers, 3–4
 - status attributes, 3–4
- arguments, 1–12
- attributes
 - characteristics, 1–11
 - counters, 1–12
 - groups, 1–11
 - identifier, 1–12
 - specifiers, 1–11
 - status, 1–12

C

- command
 - access control information, 1–17
 - arguments, 1–12
 - attributes, 1–11
 - common NCL, 1–7
 - components, 1–10
 - connect
 - console carrier, 1–24
 - continuing a, 1–3
 - including comments, 1–4
 - output, 1–16
 - prepositional phrases, 1–12
 - qualifying commands, 1–12
 - recalling, 1–16
 - remote network management, 1–23

- command (cont'd)
 - syntax, 1–10
 - using abbreviations, 1–13
 - wildcard characters, 1–15
- command line comments, 1–4
- commands
 - add, 1–7
 - block, 9–4, 9–13
 - boot, 17–3, 17–11
 - connect, 9–4
 - create, 1–7
 - delete, 1–7, 19–2, 20–19
 - disable, 1–8, 19–2
 - disconnect, 9–4, 9–18
 - dump, 6–3
 - echo, 10–7
 - enable, 1–8, 2–2, 19–2
 - getnif, 10–7
 - getsif, 10–7
 - ignore, 9–4, 9–13
 - limit, 12–9
 - load, 6–3, 17–3, 17–11
 - loop, 15–2, 17–3, 17–11
 - pass, 9–4, 9–13
 - query, 17–3, 17–11
 - remove, 1–7
 - rename, 2–2
 - reset, 9–4, 9–13, 23–14
 - restrict, 22–3
 - set, 1–8
 - show, 1–9
 - shut, 22–3
 - shutdown, 9–4
 - startloop, 16–4
 - stoploop, 16–4
 - test, 9–2, 17–3, 17–11
 - testevent, 9–4, 9–13
 - unlimit, 12–9
 - update, 22–13, 22–20
- common NCL commands, 1–7
- connecting
 - to a remote node by address, 1–6
- console carrier, 1–24
- continuing a command, 1–3
- control commands, 1–10

- counters
 - using snapshot to gather information, 1–21
- create command, 1–7
- creating log files, 1–6
- csma-cd entity, 4–2
 - characteristics, 4–2
 - commands, 4–2
 - exception messages, 4–2
- csma-cd port entity, 4–3
 - commands, 4–3
 - counters, 4–3
 - identifiers, 4–4
 - status attributes, 4–4
- csma-cd station entity, 4–6
 - arguments, 4–6
 - characteristics, 4–6
 - commands, 4–6
 - counters, 4–6
 - event messages, 4–10
 - exception messages, 4–11
 - identifiers, 4–9
 - status attributes, 4–9

D

- database commands, 1–10
- data types
 - base data types, B–2
 - bit-set, B–14
 - boolean, B–5
 - constructed data types, B–2
 - counters, B–5
 - defined, B–1
 - DTE address, B–5
 - end-user-specification, B–14
 - entity name, B–6
 - enumeration, B–15
 - EthernetProtocol, B–6
 - filespec, B–6
 - fullname, B–7
 - hex-string, B–7
 - ID802, B–7
 - implementation and component name, B–8
 - integer, B–8
 - Latin1String, B–8
 - network layer addresses, B–9
 - node-name, B–9
 - null, B–9
 - object-identifier, B–9
 - octet, B–9
 - octet string, B–9
 - Phase4Address, B–10
 - Phase4Name, B–10
 - presentation-address, B–10
 - protocol identification, B–8
 - range, B–15
 - record, B–15
 - sequence of A-type, B–15

- data types (cont'd)
 - set of A-type, B–16
 - simple-name, B–12
 - time, B–13
 - TowerSet, B–16
 - TransportSelector, B–13
 - uid, B–13
 - version, B–14
 - version-with-edit, B–14
- ddcmp entity, 5–2
 - characteristics, described, 5–2
 - commands, described, 5–2
 - exception messages, described, 5–2
- ddcmp link entity, 5–3
 - arguments, described, 5–3
 - characteristics, described, 5–3
 - commands, described, 5–3
 - counters, described, 5–4
 - event messages, described, 5–5
 - exception messages, described, 5–6
 - identifiers, described, 5–5
 - status attributes, described, 5–5
- ddcmp link logical station entity, 5–8
 - characteristics, described, 5–8
 - commands, described, 5–8
 - counters, described, 5–11
 - event messages, described, 5–14
 - exception messages, described, 5–15
 - identifiers, described, 5–13
 - status attributes, described, 5–14
- ddcmp port entity, 5–16
 - commands, described, 5–16
 - identifiers, described, 5–16
 - status attributes, described, 5–16
- DECDns, 1–23, 7–1
 - accessing, 1–23
 - DNS Clerk module, 7–2
 - DNS Server module, 7–1
- DECDns Management, 1–23
- DECDts, 8–1
- decnet_register tool, 1–23
- default context, 1–18
- delete command, 1–7
- device entity, 6–2
 - characteristics, 6–2
 - commands, 6–2
 - exception messages, 6–2
 - status attributes, 6–2
- device unit entity, 6–3
 - arguments, 6–3
 - characteristics, 6–3
 - commands, 6–3
 - counters, 6–4
 - event messages, 6–5
 - exception messages, 6–7
 - identifiers, 6–4
 - status attributes, 6–4

disable command, 1–8
DNS Clerk module, 7–2
DNS Server module, 7–1

E

enable command, 1–8
entities, 1–11
error messages
 described, A–1
 for OpenVMS, A–1
event dispatcher entity, 9–2
 characteristics, 9–2
 commands, 9–2
 counters, 9–2
 event messages, 9–3
 exception messages, 9–3
 status attributes, 9–2
event dispatcher outbound stream entity, 9–4
 arguments, 9–5
 characteristics, 9–6
 commands, 9–4
 counters, 9–7
 event messages, 9–8
 exception messages, 9–10
 identifiers, 9–8
 status attributes, 9–8
event dispatcher relay entity, 9–11
 commands, 9–11
 exception messages, 9–11
 status attributes, 9–11
event dispatcher relay logging entity, 9–12
 commands, 9–12
 counters, 9–12
 event messages, 9–12
 identifiers, 9–12
 status attributes, 9–12
event dispatcher sink entity, 9–13
 arguments, 9–14
 characteristics, 9–14
 commands, 9–13
 counters, 9–16
 event messages, 9–16
 exception messages, 9–17
 identifiers, 9–16
 status attributes, 9–16
event dispatcher sink inbound stream entity,
 9–18
 commands, 9–18
 counters, 9–18
 event messages, 9–18
 identifiers, 9–18
 status attributes, 9–18
exception messages
 described, 1–16
exiting NCL, 1–4

expedited data, 20–3

F

FA map entity, 23–15
 characteristics, 23–15
 commands, 23–15
 counters, 23–15
 exception messages, 23–15
 identifiers, 23–15
 status attributes, 23–15
fddi entity, 10–3
 characteristics, 10–3
 commands, 10–3
 exception messages, 10–3
fddi port entity, 10–18
 commands, 10–18
 counters, 10–18
 identifiers, 10–18
 status attributes, 10–18
fddi station entity, 10–4
 arguments, 10–4
 characteristics, 10–4
 commands, 10–4
 counters, 10–5
 event messages, 10–5
 exception messages, 10–6
 identifiers, 10–5
 status attributes, 10–5
fddi station link entity, 10–7
 arguments, 10–7
 characteristics, 10–8
 commands, 10–7
 counters, 10–8
 event messages, 10–13
 exception messages, 10–14
 identifiers, 10–11
 status attributes, 10–11
fddi station phy port entity, 10–15
 characteristics, 10–15
 commands, 10–15
 counters, 10–15
 event messages, 10–17
 exception messages, 10–17
 identifiers, 10–16
 status attributes, 10–16
FDDI Token Ring, 10–1
flow control
 during OSI transport connections, 20–3
frame entity, 11–2
 characteristics, 11–2
 commands, 11–2
 status attributes, 11–2
frame link entity, 11–3
 arguments, 11–3
 characteristics, 11–3
 commands, 11–3
 counters, 11–6

- frame link entity (cont'd)
 - exception messages, 11-7
 - identifiers, 11-7
 - status attributes, 11-7
- frame port entity, 11-9
 - commands, 11-9
 - identifiers, 11-9
 - status attributes, 11-9
- fmrs received counter
 - for lapb link entity, 13-5
- full names
 - specifying, 1-14

G

- Graphical User Interface (GUI), 1-2

H

- hdlc entity, 12-2
 - characteristics, 12-2
 - commands, 12-2
- hdlc link entity, 12-3
 - arguments, 12-3
 - characteristics, 12-3
 - commands, 12-3
 - counters, 12-5
 - event messages, 12-7
 - exception messages, 12-7
 - identifiers, 12-6
 - status attributes, 12-6
- hdlc link logical station entity, 12-9
 - commands, 12-9
 - counters, 12-9
 - event messages, 12-12
 - identifiers, 12-11
 - status attributes, 12-11
- hdlc port entity, 12-16
 - commands, 12-16
 - identifiers, 12-16
 - status attributes, 12-16
- help information for NCL, 1-4
- hex strings, 1-15
- hex strings in foreign commands
 - specifying, 1-15
- "H format, 1-15

I

- IEEE 802.5/Token Ring, 23-1
- initialization files, 1-22
- invoking NCL, 1-3
- ISO
 - standards
 - OSI transport protocol: protocol standard, 20-2
 - OSI transport protocol: service definition, 20-2

- ISO
 - standards (cont'd)
 - TP 2, 20-2
- ISO 8802-x, 4-1, 10-19

K

- key definition files, 1-22
- keypad definition files, 1-22

L

- LAN
 - OSI transport connection over, 20-3
- lapb entity, 13-2
 - characteristics, 13-2
 - commands, 13-2
- lapb link entity, 13-3
 - arguments, 13-3
 - characteristics, 13-3
 - commands, 13-3
 - counters, 13-4
 - event messages, 13-7
 - exception messages, 13-9
 - identifiers, 13-6
 - status attributes, 13-6
- lapb port entity, 13-10
 - commands, 13-10
 - identifiers, 13-10
 - status attributes, 13-10
- llc2 entity, 14-2
 - characteristic attributes, 14-2
 - commands, 14-2
- llc2 port entity, 14-3
 - commands, 14-3
 - identifiers, 14-3
 - status attributes, 14-3
- llc2 sap entity, 14-4
 - characteristics, 14-4
 - commands, 14-4
 - counters, 14-4
 - event messages, 14-5
 - exception messages, 14-5
 - identifiers, 14-4
 - status attributes, 14-4
- llc2 sap link entity, 14-6
 - characteristics, 14-6
 - commands, 14-6
 - counters, 14-7
 - event messages, 14-9
 - exception messages, 14-11
 - identifiers, 14-9
 - status attributes, 14-9
- local node as default, 1-10
- log files
 - creating, 1-6

loopback application entity, 15-2
characteristics, 15-2
commands, 15-2
exception messages, 15-3

M

modem connect data port entity, 16-3
commands, 16-3
identifiers, 16-3
status attributes, 16-3
modem connect entity, 16-2
characteristics, 16-2
commands, 16-2
modem connect line entity, 16-4
arguments, 16-4
characteristics, 16-5
commands, 16-4
counters, 16-9
event messages, 16-14
exception messages, 16-16
identifiers, 16-10
interchange circuit attributes, 16-12
status attributes, 16-10
mop circuit entity, 17-3
arguments, 17-4
characteristics, 17-4
commands, 17-3
counters, 17-4
event messages, 17-5
exception messages, 17-6
identifiers, 17-5
status attributes, 17-5
mop circuit operation entity, 17-8
commands, 17-8
identifiers, 17-8
status attributes, 17-8
mop circuit station entity, 17-9
commands, 17-9
identifiers, 17-9
status attributes, 17-9
mop client entity, 17-11
arguments, 17-12
characteristics, 17-13
commands, 17-11
exception messages, 17-16
identifiers, 17-16
mop entity, 17-2
characteristics, 17-2
commands, 17-2
exception messages, defined, 17-2
status attributes, 17-2

N

Name Service, 1-23
accessing, 1-23
NET\$CONFIGURE, 1-2
NET\$EXAMINE, 1-1, 1-2
NET\$MANAGE, 1-1
NET\$MGMT, 1-2
NET\$SECURITY, 1-1
node entity, 2-2
arguments, 2-2
characteristics, 2-3
commands, 2-2
counters, 2-3
entity name, 2-2
event messages, 2-4
exception messages, 2-5
identifiers, 2-3
status attributes, 2-4
normal data transfer, 20-3
nsp entity, 18-2
characteristics, 18-2
commands, 18-2
exception messages, 18-4
functions performed, 18-1
status attributes, 18-4
nsp local nsap entity, 18-5
commands, 18-5
counters, 18-5
event messages, 18-5
identifiers, 18-5
status attributes, 18-5
nsp local nsap remote nsap entity, 18-6
commands, 18-6
counters, 18-6
event messages, 18-7
identifiers, 18-7
status attributes, 18-7
nsp port entity, 18-9
commands, 18-9
counters, 18-9
identifiers, 18-10
status attributes, 18-10

O

online help, 1-4
example, 1-4
OpenVMS cluster, 3-1
osak application entity, 19-5
characteristics, 19-5
commands, 19-5
counters described, 19-6
event messages, 19-6
exception messages, 19-6
identifiers, 19-6
status attributes, 19-6

- osak application invocation entity, 19–7
 - characteristics, 19–7
 - commands, 19–7
 - counters, 19–8
 - exception messages, 19–9
 - identifiers, 19–8
 - status attributes, 19–8
 - osak entity, 19–2
 - characteristics, 19–2
 - commands, 19–2
 - counters, 19–3
 - event messages, 19–4
 - exception messages, 19–4
 - status attributes, 19–4
 - osak port entity, 19–10
 - characteristics, 19–10
 - commands, 19–10
 - counters, 19–10
 - identifiers, 19–10
 - status attributes, 19–10
 - osi transport application entity, 20–12
 - characteristics, 20–12
 - commands, 20–12
 - counters, 20–12
 - identifiers, 20–12
 - osi transport entity, 20–6
 - characteristics, 20–6
 - commands, 20–6
 - exception messages, 20–10
 - status attributes, 20–10
 - X.25/CONS configuration, 20–10
 - osi transport local nsap entity, 20–13
 - commands, 20–13
 - counters, 20–13
 - event messages, 20–14
 - identifiers, 20–13
 - status attributes, 20–13
 - osi transport local nsap remote nsap entity, 20–15
 - commands, 20–15
 - counters, 20–15
 - event messages, 20–17
 - identifiers, 20–16
 - status attributes, described, 20–17
 - osi transport module
 - CLNS, 20–27
 - CONS, 20–27
 - OSI transport module, 20–1
 - CLNS, 20–1
 - CLTS, 20–1
 - CONS, 20–1
 - COTS, 20–1
 - transport protocols and network services, 20–3
 - osi transport port entity, 20–19
 - commands, 20–19
 - counters, 20–19
 - identifiers, 20–20
 - status attributes, 20–20
 - OSI transport protocol
 - TP 0, 20–2
 - TP 2, 20–2
 - TP 4, 20–2
 - OSI Transport Protocol
 - classes, 20–2
 - OSI transport service
 - error detection and recovery
 - in Class 4, 20–2
 - flow control
 - in class 2, 20–2
 - in class 4, 20–2
 - multiplexing
 - in class 2, 20–2
 - in class 4, 20–2
 - transport connection, 20–2
 - flow control during, 20–3
 - kinds of data, 20–3
 - releasing, 20–3
 - using, 20–3
 - transport connection types, 20–3
 - transport user, 20–2
 - osi transport template entity, 20–26
 - characteristics, 20–26
 - commands, 20–26
 - exception messages, 20–30
 - identifiers, 20–30
- ## P
-
- prepositional phrases, 1–12
 - by, 1–12, 1–17
 - restrictions, 1–13
 - with phrase, 1–12
 - privilege
 - required for use of NCL, 1–1
- ## Q
-
- qualifying NCL commands, 1–12
- ## R
-
- recalling a command, 1–16
 - remote network management, using NCL
 - commands, 1–23
 - remote node by address
 - connecting, 1–6
 - remote system management
 - using access control information, 1–17
 - remove command, 1–7
 - RFC 1006 configuration, 20–11
 - RFC 1006 Extension configuration, 20–11
 - rights identifiers required, 1–1
 - routing circuit adjacency entity, 21–49
 - arguments, 21–49
 - commands, 21–49
 - exception messages, 21–52

- routing circuit adjacency entity (cont'd)
 - identifiers, 21-49
 - status attributes, 21-49
- routing circuit entity, 21-28
 - arguments, 21-28
 - characteristics, 21-28
 - commands, 21-28
 - counters, 21-36
 - event messages, 21-42
 - exception messages, 21-47
 - identifiers, 21-40
 - status attributes, 21-41
- routing circuit ip address translation entity, 21-53
 - commands, 21-53
 - identifiers, 21-53
 - status attributes, described, 21-53
- routing circuit ip reachable address entity, 21-54
 - arguments, 21-54
 - characteristics, 21-54
 - commands, 21-54
 - exception messages, described, 21-55
 - identifiers, 21-55
 - status attributes, 21-55
- routing circuit reachable address entity, 21-57
 - arguments, 21-58
 - characteristics, 21-58
 - commands, 21-57
 - exception messages, 21-61
 - identifiers, 21-61
 - status attributes, 21-61
- routing destination area entity, 21-62
 - commands, 21-62
 - identifiers, 21-62
 - status attributes, 21-62
- routing destination cache entity, 21-63
 - commands, 21-63
 - identifiers, 21-63
 - status attributes, 21-63
- routing destination node entity, 21-64
 - commands, 21-64
 - identifiers, 21-64
 - status attributes, 21-64
- routing egp group egp neighbor entity, 21-67
 - arguments, 21-67
 - characteristics, 21-67
 - commands, 21-67
 - counters, 21-68
 - event messages, 21-70
 - exception messages, 21-71
 - identifiers, 21-69
 - status attributes, 21-69
- routing egp group entity, 21-65
 - characteristics, 21-65
 - commands, 21-65
 - exception messages, 21-66
 - identifiers, 21-66
 - status attributes, 21-66
- routing entity, 21-3
 - arguments, 21-3
 - characteristics, 21-4
 - commands, 21-3
 - counters, 21-11
 - event messages, 21-21
 - exception messages, 21-27
 - preset attributes, 21-16
 - status attributes, 21-19
- routing ip destination address, 21-72
- routing ip destination address entity
 - commands, 21-72
 - identifiers, 21-72
 - status attributes, 21-72
- Routing module
 - congestion control, 21-2
 - dynamic circuit management, 21-2
 - functions, 21-1
 - information about, 21-1
 - initialization, 21-2
 - IP, 21-2
 - level 1 routers, 21-2
 - level 2 routers, 21-2
 - packet lifetime control, 21-2
 - supported attributes and events, 21-2
- routing permitted neighbor entity, 21-73
 - characteristics, 21-73
 - commands, 21-73
 - exception messages, 21-73
 - identifiers, 21-73
- routing port entity, 21-74
 - commands, 21-74
 - counters, 21-74
 - identifiers, 21-75
 - status attributes, 21-75

S

- session control application entity, 22-9
 - characteristics, 22-9
 - commands, 22-9
 - counters, 22-12
 - exception messages, 22-12
 - identifiers, 22-12
 - status attributes, 22-12
- session control backtranslation softlink entity, 22-13
 - commands, 22-13
 - counters, 22-13
 - event messages, 22-14
 - identifiers, 22-13
 - status attributes, 22-13
- session control entity, 22-3
 - characteristics, 22-3
 - commands, 22-3
 - counters, 22-6
 - event messages, 22-6
 - exception messages, 22-8

- session control entity (cont'd)
 - status attributes, 22–6
- session control module
 - functions, 22–1
- session control port entity, 22–15
 - commands, 22–15
 - counters, 22–15
 - identifiers, 22–15
 - status attributes, 22–15
- session control proxy entity, 22–18
 - characteristics, 22–18
 - commands, 22–18
 - counters, 22–18
 - exception messages, 22–19
 - identifiers, 22–19
 - status attributes, 22–19
- session control tower maintenance entity, 22–20
 - commands, 22–20
 - counters, 22–20
 - event messages, 22–21
 - identifiers, 22–20
 - status attributes, 22–20
- session control transport service entity, 22–22
 - arguments, 22–22
 - commands, 22–22
 - counters, 22–22
 - exception messages, 22–23
 - identifiers, 22–22
 - status attributes, 22–22
- set command, 1–8
- show command
 - attribute specifiers, 1–9
 - described, 1–9
- snapshot
 - using, 1–21
- source route entity, 23–14
 - commands, 23–14
 - counters, 23–14
 - identifiers, 23–14
 - status attributes, 23–14
- state attribute, 1–8
- subnetwork
 - OSI transport connection over, 20–3

T

- Token Ring, 23–1
- token ring entity, 23–3
 - characteristics, 23–3
 - exception messages, 23–3
- token ring port entity
 - commands, 23–12
 - counters, 23–12
 - identifiers, 23–13
 - status attributes, 23–13
- token ring station entity
 - arguments, 23–4
 - characteristics, 23–4

- token ring station entity (cont'd)
 - commands, 23–4
 - counters, 23–5
 - event messages, 23–10
 - exception messages, 23–11
 - identifiers, 23–8
 - status attributes, 23–8
- TPDU
 - OSI transport disconnect, 20–3
- trn entity
 - commands, 23–3
- trn port entity, 23–12
- trn station entity, 23–4

U

- unique identification (UID) values
 - described, 1–17

V

- verbs
 - action commands, 1–10
 - control commands, 1–10
 - database commands, 1–10
- version characteristic, 12–2

W

- WAN device drivers, 6–1, 11–1, 13–1, 16–1
- wildcard characters
 - asterisk (*), 1–15
 - percent sign (%), 1–15

X

- X.25
 - OSI transport connection over, 20–3
 - point-to-point link
 - OSI transport connection over, 20–3
- x25 access application entity, 24–8
 - characteristics, 24–8
 - commands, 24–8
 - exception messages, 24–9
 - identifiers, 24–9
 - status attributes, 24–9
- x25 access dte class entity, 24–11
 - arguments, 24–11
 - characteristics, 24–11
 - commands, 24–11
 - exception messages, 24–14
 - identifiers, 24–13
 - status attributes, 24–14
- x25 access entity, 24–2
 - arguments, 24–2
 - characteristics, 24–2
 - commands, 24–2
 - counters, 24–2

- x25 access entity (cont'd)
 - event messages, 24-3
 - status attributes, 24-3
- x25 access filter entity, 24-15
 - characteristics, 24-15
 - commands, 24-15
 - counters, 24-17
 - identifiers, 24-17
 - status attributes, 24-17
- x25 access port entity, 24-18
 - commands, 24-18
 - counters, 24-18
 - identifiers, 24-18
 - status attributes, 24-18
- x25 access reachable address entity, 24-22
 - arguments, 24-22
 - characteristics, 24-22
 - commands, 24-22
 - exception messages, 24-23
 - identifiers, 24-23
- x25 access security dte class entity, 24-24
 - commands, 24-24
 - identifiers, 24-24
 - status attributes, 24-24
- x25 access security dte class remote dte entity, 24-25
 - arguments, 24-25
 - characteristics, 24-25
 - commands, 24-25
 - counters, 24-26
 - identifiers, 24-26
 - status attributes, 24-26
- x25 access security filter entity, 24-27
 - characteristics, 24-27
 - commands, 24-27
 - identifiers, 24-27
 - status attributes, 24-27
- x25 access template entity, 24-28
 - characteristics, 24-28
 - commands, 24-28
 - identifiers, 24-31
- x25 client entity, 25-2
 - arguments, 25-2
 - characteristics, 25-2
 - commands, 25-2
 - counters, 25-2
 - event messages, 25-3
 - exception messages, 25-3
 - status attributes, 25-3
- x25 protocol dte entity, 26-3
 - arguments, 26-3
 - characteristics, 26-4
 - commands, 26-3
 - counters, 26-7
 - event messages, 26-9
 - identifiers, 26-8
 - status attributes, 26-8
- x25 protocol dte pvc entity, 26-14
 - arguments, 26-14
 - characteristics, 26-14
 - commands, 26-14
 - counters, 26-15
 - event messages, 26-16
 - exception messages, 26-16
 - identifiers, 26-15
 - status attributes, 26-15
- x25 protocol entity, 26-2
 - characteristics, 26-2
 - commands, 26-2
 - exception messages, 26-13
- x25 protocol group entity, 26-17
 - characteristics, 26-17
 - commands, 26-17
 - counters, 26-18
 - exception messages, 26-18
 - identifiers, 26-18
 - status attributes, 26-18
- x25 relay client entity, 27-3
 - characteristics, 27-3
 - commands, 27-3
 - counters, 27-3
 - event messages, 27-4
 - exception messages, 27-6
 - identifiers, 27-4
 - status attributes, 27-4
- x25 relay entity, 27-2
 - arguments, 27-2
 - characteristics, 27-2
 - commands, 27-2
- x25 relay pvc entity, 27-7
 - arguments, 27-7
 - characteristics, 27-7
 - commands, 27-7
 - counters, 27-8
 - event messages, 27-8
 - exception messages, 27-9
 - identifiers, 27-8
 - status attributes, 27-8
- x25 server client entity, 28-4
 - characteristics, 28-4
 - commands, 28-4
 - exception messages, 28-5
 - identifiers, 28-5
 - status attributes, 28-5
- x25 server entity, 28-2
 - arguments, 28-2
 - characteristics, 28-2
 - commands, 28-2
 - counters, 28-2
 - event messages, 28-3
 - exception messages, 28-3
 - status attributes, 28-3
- x25 server security nodes entity, 28-6
 - characteristics, 28-6
 - commands, 28-6

x25 server security nodes entity (cont'd)

counters, 28-6

identifiers, 28-6

status attributes, 28-6

%X format, 1-15

xot entity, 29-2

characteristics, 29-2

commands, 29-2

status attributes, 29-2

xot sap entity, 29-3

characteristics, 29-3

commands, 29-3

counters, 29-3

event messages, 29-4

identifiers, 29-4

status attributes, 29-4

xot sap link entity, 29-5

characteristics, 29-5

commands, 29-5

counters, 29-5

event messages, 29-6

identifiers, 29-6

status attributes, 29-6