

HP X.25 for OpenVMS

Configuration

Order Number: AA-Q2P5C-TE

July 2005

This guide explains how to configure HP X.25 for OpenVMS on an OpenVMS I64 or OpenVMS Alpha systems. This guide is intended for use by anyone who is configuring an X.25 for OpenVMS system for the first time, or is reconfiguring an existing system.

Revision/Update Information:	This revised manual supersedes <i>X.25 for OpenVMS—Configuration</i> , Version 1.1b.
Operating System:	OpenVMS I64 Version 8.2 and 8.2-1 OpenVMS Alpha Version 8.2
Software Version:	HP X.25 for OpenVMS Version 2.0

Hewlett-Packard Company
Palo Alto, California

© Copyright 2005 Hewlett-Packard Development Company, L.P.

Confidential computer software. Valid license from HP required for possession, use, or copying. Consistent with FAR 12.211 and 12.212, Commercial Computer Software, Computer Software Documentation, and Technical Data for Commercial Items are licensed to the U.S. Government under vendor's standard commercial license.

The information contained herein is subject to change without notice. The only warranties for HP products and services are set forth in the express warranty statements accompanying such products and services. Nothing herein should be construed as constituting an additional warranty. HP shall not be liable for technical or editorial errors or omissions contained herein.

Intel and Itanium are trademarks or registered trademarks of Intel Corporation or its subsidiaries in the United States and other countries.

UNIX is a registered trademark of The Open Group.

Printed in the US

Contents

Preface	ix
----------------------	----

Part I Overview

1 Introduction

1.1	Configuration Overview	1-1
1.2	Configuration Program Modes	1-1
1.2.1	Selecting the Configuration Mode	1-2
1.3	Changing Your Configuration	1-2
1.4	Obtaining Help	1-2
1.5	Steps in Configuring Your System	1-3
1.6	Configuration Considerations	1-3
1.6.1	Required Licenses	1-3
1.6.2	Network Profiles	1-4

2 Using the Configuration Program

2.1	Introduction	2-1
2.2	Invoking the Configuration Program	2-1
2.3	Common Operations	2-3
2.3.1	Entering Information	2-3
2.3.1.1	Horizontal Scrolling	2-3
2.3.1.2	Data Entry Mode	2-3
2.3.2	Moving Within a Section	2-4
2.3.3	Moving Between Sections	2-4
2.3.4	Keys Used in the Configuration Program	2-5
2.3.5	Accessing the Options Menu	2-6
2.4	Obtaining Help	2-7
2.4.1	Obtaining Help on a Specific Field or Menu Choice	2-7
2.4.2	Obtaining General Help	2-7
2.4.3	Obtaining Help on the Program	2-7
2.5	Creating the Configuration File	2-7
2.6	Quitting from the Configuration Program	2-9
2.7	Leaving the Configuration Program	2-9
2.8	Post-Configuration Tasks	2-9

Part II BASIC Configuration Mode

3 Overview of BASIC Mode

3.1	Introduction to the BASIC Mode	3-1
3.2	Configuration Program Structure	3-1
3.3	Configuration Sections	3-2

4 Required Configuration Data

4.1	Overview	4-1
-----	----------------	-----

5 Flowcharts and Associated Notes

5.1	Introduction	5-1
5.1.1	Creating a New Configuration	5-2
5.1.2	Modifying an Existing Configuration	5-2
5.1.3	Exiting the Configuration Program	5-3
5.2	X.25 over Wide Area Network	5-4
5.3	X.25 over Local Area Network	5-6
5.4	X.25 Client	5-8
5.5	PVCs	5-9
5.6	Incoming Call Security	5-10
5.7	X.29 Support	5-12
5.8	X.25 Mail	5-13
5.9	NCL Script	5-14

Part III ADVANCED Configuration Mode

6 Overview of ADVANCED Mode

6.1	Introduction to the ADVANCED Mode	6-1
6.2	Configuration Program Structure	6-1
6.3	Configuration Sections	6-1

7 Required Configuration Data

7.1	Overview	7-1
-----	----------------	-----

8 Flowcharts and Associated Notes

8.1	Introduction	8-1
8.1.1	Creating a New Configuration	8-1
8.1.2	Modifying an Existing Configuration	8-2
8.1.3	Exiting the Configuration Program	8-3
8.2	Remote DTE Classes	8-4
8.3	Lines and DTEs	8-5
8.4	LLC2 DTEs	8-8
8.5	XOT DTEs	8-10
8.6	Session Connections	8-13
8.7	PVCs	8-14
8.8	Groups	8-16
8.9	X.29 Support	8-17
8.10	X.25 Mail	8-18

8.11	Applications	8-19
8.12	X.25 Relay-Clients Section	8-21
8.13	Filters	8-23
8.14	Templates	8-24
8.15	Reachable Addresses	8-25
8.16	X.25 Server-Clients Section	8-26
8.17	Security	8-28
8.18	Incoming Security: Applications	8-29
8.19	Incoming Security: Filters	8-30
8.20	Incoming Security Section: X.25 Relay-Clients	8-31
8.21	Outgoing Security: Local Processes	8-32
8.22	NCL Script	8-33

Part IV Configuration Verification and Modification

9 Verifying the Configuration

9.1	Testing Your Configuration	9-1
9.1.1	Running the CTP for Loopback Testing	9-1
9.1.2	Running the CTP for Remote System Testing	9-1
9.2	Preparing to Run the CTP	9-1
9.3	Running the CTP	9-2
9.3.1	Running the CTP Interactively	9-2
9.3.2	Running the CTP as a Network Object	9-2
9.4	CTP Test Modes	9-3
9.4.1	Receive-Only Mode	9-3
9.4.2	Send-Only Mode	9-4
9.4.3	Send/Receive Mode	9-4
9.5	Testing SVCs and PVCs	9-4
9.5.1	Testing Local SVCs	9-6
9.5.2	Testing Local PVCs	9-7
9.5.3	Testing Remote SVCs	9-8
9.5.4	Test Summary	9-9
9.6	CTP Failure Reasons	9-10
9.6.1	Test Failure	9-10
9.6.2	CTP Exits	9-10

10 Modifying the Configuration

10.1	Overview of Methods	10-1
10.2	Using the Configuration Program	10-2
10.3	Editing the User NCL Script Files	10-3
10.4	Modifying a Configuration Dynamically	10-3
10.5	Discarding a Configuration	10-4
10.6	Reusing a Saved Configuration File	10-4

Part V Reference Material

A Values Specific to Your Configuration

A.1	Basic Mode Configuration Parameter Values	A-3
A.2	Advanced Mode Configuration Parameter Values	A-6

B X.25 Communication Methods for OpenVMS I64 Systems

B.1	X.25 Server/Client	B-2
B.2	X.25 over Ethernet (LLC2)	B-3
B.3	X.25 over TCP/IP (XOT)	B-4
B.4	Variations on a theme	B-5

C Example Configurations

C.1	Example A—Configuration of X.25 Over a Synchronous Link	C-2
C.2	Example B—Configuration of X.25 Over LLC2	C-13

D Characteristic Values of the Default and OSI Transport Templates

E Configuration Files—Location and Use

Index

Figures

5-1	Introduction	5-1
5-2	X.25 over Wide Area Network Section	5-5
5-3	X.25 over Local Area Network Section	5-7
5-4	X.25 Client	5-8
5-5	PVCs Section	5-9
5-6	Incoming Call Security	5-11
5-7	X.29 Support Section	5-12
5-8	NCL Script	5-15
8-1	Introduction	8-1
8-2	Remote DTE Classes	8-4
8-3	Lines and DTEs	8-7
8-4	LLC2 DTEs	8-9
8-5	XOT DTEs	8-12
8-6	PVCs	8-14
8-7	Groups	8-16
8-8	X.29 Support	8-17
8-9	Applications	8-20
8-10	X.25 Relay—Clients	8-22
8-11	Filters	8-23
8-12	Templates	8-24
8-13	Reachable Addresses	8-25
8-14	X.25 Server—Clients	8-27
8-15	Incoming Security: Applications	8-29
8-16	Incoming Security: Filters	8-30

8-17	Incoming Security: Relay Clients	8-31
8-18	Outgoing Security: Local Processes	8-32
8-19	NCL Script	8-33
9-1	Configuration Test Procedure Flowchart	9-5
B-1	X.25 Server/Client configuration using DECnet	B-2
B-2	X.25 using LLC2 and Relay	B-3
B-3	X.25 configuration using TCP/IP	B-4
B-4	Connecting via Virtual Private Network	B-5
C-1	Example Configuration: X.25 Over a Synchronous Link	C-2
C-2	Example Configuration: X.25 Over LLC2	C-13

Tables

1	X.25 Terminology	xiii
2	X.25 for OpenVMS Client/Server Terminology	xiii
1-1	Configurations and License Requirements	1-3
2-1	Available Keys	2-5
4-1	Configuration Information: X.25 over Wide Area Network	4-1
4-2	Configuration Information: X.25 over Local Area Network	4-2
4-3	Configuration Information: X.25 Client	4-2
4-4	Configuration Information: PVCs	4-2
4-5	Configuration Information: Incoming Call Security	4-3
4-6	Configuration Information: X.29 Support	4-3
6-1	Configuration Sections Applicable to Client and Direct Connect Systems	6-2
7-1	Configuration Information: Remote DTE Classes	7-1
7-2	Configuration Information: Lines and DTEs	7-2
7-3	Configuration Information: LLC2 DTEs	7-3
7-4	Configuration Information: XOT DTEs	7-4
7-5	Configuration Information: Session Connections	7-5
7-6	Configuration Information: PVCs	7-5
7-7	Configuration Information: Groups	7-6
7-8	Configuration Information: X.29 Support	7-6
7-9	Configuration Information: Applications	7-7
7-10	Configuration Information: X.25 Relay Clients Section	7-7
7-11	Configuration Information: Filters	7-8
7-12	Configuration Information: Templates	7-9
7-13	Configuration Information: Reachable Addresses	7-10
7-14	Configuration Information: X.25 Server-Client Section	7-10
7-15	Configuration Information: Incoming Security—Applications	7-11
7-16	Configuration Information: Incoming Security—Filters	7-12
7-17	Configuration Information: Incoming Security—X.25 Relay-Clients	7-13
7-18	Configuration Information: Outgoing Security—Local Processes	7-14
9-1	CTP Errors	9-10
A-1	X.25 over Wide Area Network	A-3
A-2	X.25 over Local Area Network	A-3

A-3	X.25 Client	A-4
A-4	PVCs	A-4
A-5	Incoming Call Security	A-4
A-6	X.29 Support	A-5
A-7	Remote DTE Classes	A-6
A-8	Lines and DTEs	A-6
A-9	LLC2 DTEs	A-8
A-10	XOT DTEs	A-9
A-11	Session Connections	A-10
A-12	PVCs	A-10
A-13	Groups	A-11
A-14	X.29 Support	A-11
A-15	Applications	A-12
A-16	X.25 Relay-Clients	A-12
A-17	Filters	A-13
A-18	Templates	A-13
A-19	Reachable Addresses	A-15
A-20	X.25 Server-Clients	A-15
A-21	Incoming Security: Applications	A-16
A-22	Incoming Security: Filters	A-16
A-23	Incoming Security: X.25 Relay-Clients	A-16
A-24	Outgoing Security: Local Processes	A-17
D-1	Characteristic Values of Default and OSI Transport Templates	D-1
E-1	Configuration Files Common to Both Basic and Advanced Modes	E-1
E-2	Configuration Files Specific to BASIC Mode	E-2
E-3	Configuration Files Specific to ADVANCED Mode	E-2

Preface

This guide explains how to configure HP X.25 for OpenVMS.

Audience

This guide is intended for use by anyone who is configuring an X.25 system for the first time, or is reconfiguring an existing system.

This manual assumes that you understand and have some experience of:

- Local Area Networks (LANs)
- Wide Area Networks (WANs)
- X.25 communications

The configuration program can be run in two modes: BASIC mode, and ADVANCED mode. To run the utility in ADVANCED mode, you should have a good understanding of management entities, and the relationship between those entities. Such information is given in the *HP X.25 for OpenVMS—Management Guide*.

Structure

The guide consists of ten chapters and four appendices:

- Part I provides an overview of the configuration program and how to use the program to configure your system. This part consists of two chapters:
 - Chapter 1 outlines the modes in which the configuration program can be used to configure a system and explains the areas you need to consider before you run the utility.
 - Chapter 2 details how to run the utility and how to access help information, and provides details of the keys that can be used while running the configuration program.
- Part II details how to run the configuration program in BASIC mode. This part consists of three chapters:
 - Chapter 3 provides an overview of running the configuration program in BASIC mode and describes each of the available configuration sections.
 - Chapter 4 details the data that you need to obtain before running the utility.
 - Chapter 5 provides flowcharts to illustrate the flow of data entry and data required within each section. Each flowchart is accompanied by a set of associated notes.

- Part III details how to run the configuration program in ADVANCED mode. This part consists of three chapters:
 - Chapter 6 provides an overview of running the configuration program in ADVANCED mode and describes each of the available configuration sections.
 - Chapter 7 details the data that you need to obtain before running the utility.
 - Chapter 8 provides flowcharts to illustrate the flow of data entry and data required within each section. Each flowchart is accompanied by a set of associated notes.
- Part IV details how to verify the configuration created and how to modify an existing configuration. This part consists of two chapters:
 - Chapter 9 explains how to test your configuration using the Configuration Test Procedure (CTP).
 - Chapter 10 explains how to modify an existing configuration, that is, to reconfigure a system.
- Part V consists of reference material. This part consists of four appendices:
 - Appendix A contains a series of blank forms in which you can write the values of configuration parameters specific to your system.
 - Appendix C contains two sample configurations with the configuration files produced by the configuration program.
 - Appendix D lists the characteristic values of the parameters in the “Default” and “OSI Transport” templates.
 - Appendix E lists the location and use of each of the configuration files either created as a result of running the configuration program in BASIC and ADVANCED modes or supplied with the product.

Associated Manuals

The following sections describe HP DECnet–Plus for OpenVMS, HP X.25 for OpenVMS, and HP OpenVMS manuals that either directly describe the X.25 for OpenVMS software or provide related information.

HP DECnet–Plus for OpenVMS Documentation

The following DECnet–Plus manuals contain information useful to X.25 for OpenVMS managers, users, and programmers:

- *HP DECnet–Plus for OpenVMS —Introduction and User’s Guide*
This manual provides general information on DECnet–Plus and describes the concept of packet switching data networks.
- *HP DECnet–Plus for OpenVMS—Installation and Configuration*
This manual describes how to install and configure DECnet–Plus for OpenVMS software. For OpenVMS I64 and OpenVMS Alpha systems, this manual also describes how to install X.25 for OpenVMS software. Details on configuring X.25 for OpenVMS on OpenVMS I64 and OpenVMS Alpha systems are provided in the *HP X.25 for OpenVMS—Configuration* manual. For OpenVMS VAX systems, this manual also describes how to install and configure the X.25 functionality provided by DECnet–Plus for OpenVMS VAX.

- *HP DECnet-Plus for OpenVMS—Network Management*
This manual provides conceptual and task information about managing and monitoring a DECnet-Plus network. In addition, the manual devotes a section to the management of X.25 entities used by DECnet operating over X.25 data links.
- *HP DECnet-Plus for OpenVMS—Network Control Language Reference*
This manual provides detailed information on the Network Control Language (NCL), which is used to manage X.25 for OpenVMS management entities.

HP X.25 for OpenVMS Documentation

The following manuals make up the X.25 for OpenVMS documentation set:

- *HP X.25 for OpenVMS—Configuration* (OpenVMS I64 and OpenVMS Alpha)
This manual explains how to configure X.25 for OpenVMS software on OpenVMS I64 and OpenVMS Alpha systems.
- *HP X.25 for OpenVMS—Security Guide*
This manual describes the X.25 Security model and how to set up, manage, and monitor X.25 Security to protect your X.25 for OpenVMS system from unauthorized incoming and outgoing calls.
- *HP X.25 for OpenVMS—Problem Solving Guide*
This manual provides guidance on how to analyze and correct X.25-related and X.29-related problems that may occur while using the X.25 for OpenVMS software. In addition, the manual describes loopback testing for LAPB data links.
- *HP X.25 for OpenVMS—Programming Guide*
This manual describes how to write X.25 and X.29 programs to perform network operations.
- *HP X.25 for OpenVMS—Programming Reference*
This manual provides reference information for X.25 and X.29 programmers. It is a companion manual to the *HP X.25 for OpenVMS—Programming Guide*.
- *HP X.25 for OpenVMS—Utilities Guide*
This manual describes how to use and manage X.25 Mail and how to use and manage a host-based PAD to connect to a remote system. It also describes how to manage the X.29 communication links used for both of these functions. In addition, this manual explains how to use OpenVMS DCL SET TERMINAL/X29 commands to manage remote host-based or network PADs.
- *HP X.25 for OpenVMS—Accounting*
This manual describes how to use X.25 Accounting to obtain performance records and information on how X.25 is being used on your system.

HP OpenVMS Documentation

The following OpenVMS manuals contain information useful to X.25 for OpenVMS managers, users, and programmers:

- The current *HP OpenVMS New Features and Documentation Overview* manual
- *HP OpenVMS DCL User's Manual*
- *HP OpenVMS DCL Dictionary*

- *HP OpenVMS System Management Utilities Reference Manual*
- *HP OpenVMS System Services Reference Manual*
- *HP OpenVMS Guide to System Security*

Reader's Comments

HP welcomes your comments on this manual or any of the X.25 for OpenVMS documents. Please send comments to either of the following addresses:

Internet	openvmsdoc@hp.com
Mail	Hewlett-Packard Company OSSG Documentation Group, ZKO3-4/U08 110 Spit Brook Rd. Nashua, NH 03062-2698

How To Order Additional Documentation

For information about how to order additional documentation and for online versions of most X.25 for OpenVMS documentation, visit the following World Wide Web address:

<http://www.hp.com/go/openvms/doc/>

Terminology

The terminology used in the VAX P.S.I. product has been replaced by the terminology used in the X.25 for OpenVMS product. Table 1 shows the correlation between VAX P.S.I. terms and their X.25 for OpenVMS counterparts.

Table 1 X.25 Terminology

VAX P.S.I.	X.25 for OpenVMS
VAX P.S.I.	X.25 for OpenVMS VAX
Access system	X.25 Client system
Native system	X.25 Direct Connect system
Multihost system	X.25 Connector system
Gateway system	X.25 Connector system

In addition to the terms shown in Table 1, the X.25 for OpenVMS documentation set uses the following standard terms for client systems, server systems, relay systems, and the X.25 for OpenVMS management entities that represent these systems:

Table 2 X.25 for OpenVMS Client/Server Terminology

Client system	A client system of an X.25 Connector system (and therefore a client of the X25 Server management module on the X.25 Connector system.)
Relay Client system	A client system of an X.25 Relay system (and therefore a client of the X25 Relay management module on the X.25 Relay system.)
Relay-Client	A shorthand term for an X25 RELAY CLIENT management entity on an X.25 Relay system that contains management information about an actual Relay Client system.
Relay system	An X.25 Direct Connect or Connector system with the X.25 Relay module enabled.
Server Client system	Another term for a Client system.
Server-Client	A shorthand term for an X25 SERVER CLIENT management entity on an X.25 Connector system that contains management information about one or more actual X.25 Client systems.

For more information about clients, servers, and relays in X.25 for OpenVMS, refer to the *HP X.25 for OpenVMS—Configuration* manual and the *HP X.25 for OpenVMS—Management Guide*.

Conventions

The following conventions are used in the X.25 for OpenVMS documentation set:

UPPERCASE and lowercase	<p>The OpenVMS operating system does not differentiate between lowercase and uppercase characters. Literal strings that appear in text, examples, syntax descriptions, and function descriptions can be entered using uppercase characters, lowercase characters, or a combination of both.</p> <p>In running text, uppercase characters indicate OpenVMS DCL commands and command qualifiers; Network Control Language (NCL) commands and command parameters; other product-specific commands and command parameters; network management entities; OpenVMS system logical names; and OpenVMS system service calls, parameters, and item codes.</p> <p>Leading uppercase characters, such as Protocol State, indicate management entity characteristics and management entity event names. Leading uppercase characters are also used for the top-level management entities known as modules.</p>
system output	<p>This typeface is used in interactive and code examples to indicate system output. In running text, this typeface is used to indicate the exact name of a device, directory, or file; the name of an instance of a network management entity; or an example value assigned to a DCL qualifier or NCL command parameter.</p>
user input	<p>In interactive examples, user input is shown in bold print.</p>
\$	<p>In this manual, a dollar sign (\$) is used to represent the default OpenVMS user prompt.</p>
Ctrl/X	<p>In procedures, a sequence such as Ctrl/X indicates that you must hold down the key labeled Ctrl while you press another key or a pointing device button.</p>
Return	<p>In procedures, a key name is shown enclosed to indicate that you press the corresponding key on the keyboard.</p>
<i>italic text</i>	<p>Italic text indicates variables or book names. Variables include information that varies in system input and output. In discussions of event messages, italic text indicates a possible value of an event argument.</p>
bold text	<p>Bold text indicates an important term, or important information.</p>
()	<p>In a command definition, parenthesis indicate that you must enclose the options in parenthesis if you choose more than one. Separate the options using commas.</p>
{ }	<p>In a command definition, braces are used to enclose sets of values. The braces are a required part of the command syntax.</p>
[]	<p>In a command definition, square brackets are used to enclose parts of the command that are optional. You can choose one, none, or all of the options. The brackets are not part of the command syntax. However, brackets are a required syntax element when specifying a directory name in an OpenVMS file specification.</p>

Note

The following conventions apply to multiplatform documentation.

OpenVMS
I64/Alpha

Indicates information specific to OpenVMS I64 and OpenVMS Alpha. Note that single lines of information specific to OpenVMS I64 and OpenVMS Alpha are marked “(OpenVMS I64 and OpenVMS Alpha)” or “(OpenVMS I64/Alpha)”.

OpenVMS
VAX

Indicates information specific to OpenVMS VAX. Note that single lines of information specific to OpenVMS VAX are marked “(OpenVMS VAX)”.

◆

Indicates the end of platform-specific information.

Part I

Overview

This part of the manual provides an overview of the X.25 configuration program. It consists of two chapters:

- Chapter 1 outlines the modes in which the configuration program can be used to configure a system and explains the areas you need to consider before you run the utility.
- Chapter 2 details how to run the utility and how to access help information, and provides details of the keys that can be used while running the configuration program.

HP X.25 for OpenVMS needs to be configured before your system can communicate with remote systems via a Packet Switching Data Network (PSDN).

This chapter provides an overview of the configuration process, and outlines the steps you should take before running the configuration program.

1.1 Configuration Overview

After installing X.25 for OpenVMS it must be configured specifically for your system. X.25 for OpenVMS provides a configuration program that enables you to define configuration parameter values specific to your system. The program generates a script containing the Network Control Language (NCL) commands necessary to set up your X.25 configuration. When invoked, the X.25 startup procedure (`X25$STARTUP.COM`) executes the NCL script.

An NCL script is a series of NCL commands, each of which relates to a specific aspect of configuration. To make each script more readable, the NCL commands are interspersed with comments that indicate what actions the subsequent NCL commands perform. Two example NCL scripts are shown in Appendix C.

1.2 Configuration Program Modes

The configuration program, which is supplied as the utility `X25$CONFIGURE.COM`, can be run in one of two modes to configure a system:

- **BASIC mode**, which is used to create a basic working configuration. This mode provides a mechanism for configuring a system, without the need to have knowledge of, or understand, the X.25 management entities. Full details of using this mode are given in Part II of this guide.
- **ADVANCED mode**, which is used to create more complex working configurations. This mode of operation requires you to have a good understanding and working knowledge of the X.25 management entities. Full details of using this mode are given in Part III of this guide.

Introduction

1.2 Configuration Program Modes

1.2.1 Selecting the Configuration Mode

The configuration mode you need to choose depends on the type of X.25 configuration you want to generate.

A basic configuration consists of **one** of the following:

- One DTE connected to a PSDN, with X.25 Mail and/or X.29 operating over that connection. The use of PVCs and DECnet-Plus OSI Transport services are also supported.
- One or more DTEs configured to run over a single LAN device, with X.25 Mail and/or X.29 operating over those connections. The use of PVCs and DECnet-Plus OSI Transport services are also supported.
- One X.25 Client system connected to one or more PSDNs via one or more X.25 Connector systems, with X.25 Mail and/or X.29 operating over that connection.

If one of these configurations satisfies your X.25 requirements, then the BASIC mode will be sufficient to configure your system.

However, you will need to use the ADVANCED mode to create your X.25 configuration if you require any of the following:

- More than one connection to a PSDN
- Connections to a Local Area Network over more than one LAN device
- Both a WAN connection and a LAN connection
- X.25 over TCP/IP (XOT) DTEs
- More than one X.25 Client system
- Your own X.25 or X.29 applications to service incoming X.25 calls
- Closed User Group (CUG) support
- X.25 Relay support
- X.25 Server support

Note that any configuration data entered using the BASIC mode is available when the configuration program is subsequently run using the ADVANCED mode. Therefore, you can create a simple configuration using BASIC mode, and then add to it by running the ADVANCED mode (using the “Modify an existing configuration script” option).

1.3 Changing Your Configuration

To allow flexibility, configurations need to be modified on either a temporary or permanent basis.

X.25 for OpenVMS provides a number of methods to modify an existing configuration. These methods are detailed in Chapter 10.

1.4 Obtaining Help

A comprehensive Help facility is available in both BASIC and ADVANCED mode and can be used if further information is required while running the configuration program. Full details of the help facility available in each mode are given in Chapter 2.

1.5 Steps in Configuring Your System

To configure your X.25 for OpenVMS system, do the following:

1. Plan your configuration. As part of this task you should take note of the information given in Section 1.6.
Time spent planning your configuration will obviate the need to perform major or constant reconfigurations at later stages.
2. Record the information you will need during the configuration program. Tables are provided in Appendix A for this purpose.
For the BASIC mode, use Chapter 3 and Chapter 4 to determine the information required.
For the ADVANCED mode, use Chapter 6 and Chapter 7 to determine the information required.
3. Run the configuration program in either BASIC mode or ADVANCED mode (refer initially to Chapter 2 and then to Chapter 3 (BASIC mode) or to Chapter 6 (ADVANCED mode)).
4. Test your configuration. Refer to Chapter 9.

1.6 Configuration Considerations

This section introduces aspects of your proposed configuration that you need to consider before you run the configuration program.

1.6.1 Required Licenses

Systems running X.25 for OpenVMS have direct access to one or more PSDNs conforming to CCITT recommendation X.25 and to ISO standards 7776 and 8208, or to communicate with another node on the LAN via LLC2.

In addition, X.25 for OpenVMS allows OpenVMS systems on a DECnet-Plus network to connect to PSDNs through one or more X.25 Connector nodes. This enables communication between the X.25 for OpenVMS system and a remote DTE.

To run X.25 for OpenVMS you must have one or both of the following licenses:

- DECnet-Plus
- X.25 for OpenVMS

The types of X.25 systems you can configure depend on the licenses that you have installed. Table 1-1 summarizes the possible configurations and the licenses required to run them.

Table 1-1 Configurations and License Requirements

Licenses	Possible X.25 Configurations
DECnet-Plus only	CONS over LLC2 CLNS over HDLC

(continued on next page)

Introduction

1.6 Configuration Considerations

Table 1–1 (Cont.) Configurations and License Requirements

Licenses	Possible X.25 Configurations
X.25 for OpenVMS only	X.25 over Local Area Networks X.25 over Wide Area Networks X.25 Client (via an X.25 Connector node)

1.6.2 Network Profiles

A network profile contains all the pertinent network parameters for a specific X.25 network. For example, a profile contains the default value and permissible range for the X.25 window size.

Using the Configuration Program

2.1 Introduction

This chapter explains how to invoke the HP X.25 for OpenVMS configuration program and provides details on the facilities and keys that are available to help you to complete the configuration.

If you have not already done so, you should record the required configuration parameter values. Details of the Configuration Program Sections required for X.25 for OpenVMS systems are given in Chapter 3 (BASIC mode) and Chapter 6 (ADVANCED mode). Details of the required configuration parameters for each section in the program are given in Chapter 4 (BASIC mode) and Chapter 7 (ADVANCED mode). It is recommended that you **do not** invoke the configuration program unless you have values for each of the required configuration parameters.

Note

Throughout this and subsequent chapters, reference is made to the keys available on a VT200 (or higher) keyboard.

Refer to Section 2.3.4 for keys that are supported on this and other terminals.

2.2 Invoking the Configuration Program

To run the configuration program:

1. Log in to a suitably privileged account. You need the SYSPRV privilege to run the configuration program. In addition, you will need the CMKRNL, DETACH, NETMBX, OPER, PRMMBX, and TMPMBX privileges as well as the NET\$MANAGE and NET\$EXAMINE rights identifiers to invoke SYS\$STARTUP:X25\$STARTUP.COM to start X.25 for OpenVMS.
2. Invoke the configuration program in either BASIC or ADVANCED mode.
To invoke the configuration program in BASIC mode, enter the following command:

```
$ @sys$startup:x25$configure basic
```

To invoke the configuration program in ADVANCED mode, enter one of the following commands:

```
$ @sys$startup:x25$configure advanced
```

```
$ @sys$startup:x25$configure
```

Using the Configuration Program

2.2 Invoking the Configuration Program

When the configuration program is invoked (in either mode), the Wide Area Network Device Driver (WANDD) configuration procedure (WANDD\$CONFIGURE.COM) is run. This procedure allows you to configure the synchronous device drivers to permit direct connection to a wide area network via a serial port.

- If WANDD has not been configured, you are prompted whether to configure the device drivers.
- If WANDD has been configured, you are prompted whether to reconfigure the device drivers.

In both cases, you are then prompted whether to load the WANDD management software and the auto-configurable synchronous devices.

If you select to load the auto-configurable synchronous devices, you are further prompted whether to configure the built-in serial port as a synchronous device.

An example showing these prompts and example responses is given below.

```
$ @sys$startup:x25$configure
  Configuring WANDD... ['?' for HELP]
%WANDD$CONFIGURE-I-WANDDNOTCONFIG, WANDD has not been configured.
Configure WANDD? [YES] 
Load WANDD? [YES] 

  All installed synchronous devices will be automatically
  configured. However, the built-in serial port will only
  be configured at your request.

Configure built-in serial port as synchronous? [YES] 

! SYS$STARTUP:WANDD$CONFIG.DAT
! Created by SYSTEM on 10-FEB-1994 14:28:09.02
!
load_wandd      YES
load_zrdriver   YES
!
! End of SYS$STARTUP:WANDD$CONFIG.DAT

Are you satisfied with your answers? [YES] 
%NET-I-LOADED, executive image X25$KERNEL_RTL.EXE loaded
%NET-I-LOADED, executive image X25$MEL.EXE loaded
%NET-I-LOADED, executive image X25$L2.EXE loaded
%NET-I-LOADED, executive image X25$L1.EXE loaded

%SYSMAN-I-OUTPUT, command execution on node SPTENZ
%IOGEN-I-PREFIX, searching for ICBM with prefix SYS$
%IOGEN-I-PREFIX, searching for ICBM with prefix X25$
%IOGEN-I-SCSI POLL, scanning for devices through SCSI port PKA0
%IOGEN-I-SCSI POLL, scanning for devices through SCSI port PKB0
%RUN-S-PROC_ID, identification of created process is 00000092

  Available Synchronous Communication Ports:

      1. ZRA0 - SSCC-0-0

Press RETURN to continue...
```

Once WANDD\$CONFIGURE has been run, the initial screen of the X.25 configuration program is displayed.

2.3 Common Operations

The configuration program consists of a number of sections, each corresponding to a logical group of information.

Most sections are optional, that is you do not have to enter information unless you want to. Such sections begin with a question in the form: Do you want to set up X?

If you respond “Yes” to the prompt, the rest of that section is presented to allow you to complete it. If you respond “No” to the prompt, the next new section is presented. You can decide at a later stage to complete any section that you bypass (refer to Section 2.3.5).

Each section commences with a screen of introductory information and is followed by one or more screens on which you can enter data. Each data entry screen contains one or more fields in which you can enter data. Some fields are mandatory, others are optional.

2.3.1 Entering Information

You can enter data in two ways:

- By selecting an option from a displayed menu. To select an option, move the cursor over that option using the arrow keys (refer to Section 2.3.4) and then press **Return**.
- By entering data in a field. To enter data, move to the field (refer to Section 2.3.4), key in the data, and then press **Return**.

When you have entered all the required information on a screen, a new screen is automatically displayed. You cannot move to a new screen until you have completed all the mandatory fields on the current screen.

2.3.1.1 Horizontal Scrolling

Usually, when you enter data into a field, all the data you enter is displayed. However, in some cases, the maximum number of data characters you are allowed to enter is greater than the length of the field displayed on the screen. In such cases, the entered data will scroll horizontally when you have entered the maximum number of characters that can be displayed.

Note that horizontal scrolling works only if the data entry screen is in Insert mode. Refer to Section 2.3.1.2.

2.3.1.2 Data Entry Mode

By default, each data entry screen is invoked in Overstrike mode. In this mode, any characters entered overwrite any characters currently displayed in the data entry field. If required, a data entry screen can be placed in Insert mode. In this mode, any characters entered are inserted into the characters currently displayed; any previously entered characters are moved to the right. To change from one mode to the other, press **Ctrl/A**. The current mode is displayed in the upper right-hand corner of the data entry screen.

Using the Configuration Program

2.3 Common Operations

2.3.2 Moving Within a Section

To move backwards within a section to a previous screen, press `Prev Screen`. You are allowed to move backwards within a section whether you have completed all the screens in that section or not. However, you can move backwards only as far as the first screen of the section.

If you have moved back to look at completed screens, you can move forward again by pressing `Next Screen`. You can only move forward until you reach an incomplete screen. The mandatory fields on the incomplete screen must then be completed before moving on.

2.3.3 Moving Between Sections

The methods available for moving between sections depend on whether you are running the configuration program in BASIC or ADVANCED mode and whether you are creating or modifying a configuration.

BASIC Mode

When **creating** a configuration, the next uncompleted section is displayed automatically when the current section has been completed.

When the last section (the NCL Script Section) is displayed, you are prompted whether to create the NCL script or review and modify the information you have entered. Entering “No” to this prompt displays the Sections Menu from which you can select a section to be reviewed or modified.

When **modifying** a configuration, a specific section can be selected from the Sections Menu. The Sections Menu is displayed automatically after you select the type of X.25 connection required, or can be accessed from the Options Menu of the current section by selecting the option “Go to Sections Menu” (refer to Section 2.3.5).

ADVANCED Mode

When **creating** a configuration, an Options Menu is displayed when you complete the last data entry screen in a section. This menu includes options that allow you to move to the next uncompleted section or to move to a previously completed section (via the Sections Menu):

- To move to the next uncompleted section, select the option “Continue to a new section”.
- To move to a previously completed section, select the option “Go to Sections Menu”.

Full details of the Options Menu are provided in Section 2.3.5.

When **modifying** a configuration, a specific section can be selected from the Sections Menu. The Sections Menu is displayed automatically after you select the option “Modify an existing configuration script”, or it can be accessed from the Options Menu of the current section by selecting the option “Go to Sections Menu” (refer to Section 2.3.5).

2.3.4 Keys Used in the Configuration Program

Table 2–1 lists the keys you can use when running the configuration program in either BASIC or ADVANCED mode.

Note that if your terminal does not support cursor keys, you cannot move between fields and therefore you will not be able to run the configuration procedure.

To use the cursor keys, you must ensure that the terminal type is set correctly so that it reflects the terminal being emulated.

To set the terminal type, enter the command:

```
$ SET TERMINAL/DEVICE=terminal-type
```

where *terminal-type* is specified as VT300, VT200, and so on.

Note

If you intend to run the configuration program in a DECterm window, the terminal type **must** be set to VT320. To set the correct terminal type:

1. Display the Options pull-down menu.
 2. Select the General . . . option.
 3. Select VT300 Mode, 7--Bit Control and Terminal ID VT320 ID.
 4. Select OK.
-

Table 2–1 Available Keys

DEC Terminal (VT200 or higher) Keys	Function
Movement Keys	
UP and DOWN arrow keys	Moves cursor between fields
LEFT and RIGHT arrow keys	Moves cursor within a field
<input type="button" value="Prev Screen"/> or <input type="button" value="Ctrl/P"/>	Takes you to the previous screen in the current section
<input type="button" value="Next Screen"/> or <input type="button" value="Ctrl/N"/>	Takes you to the next screen in the current section
<input type="button" value="F12"/> or <input type="button" value="Ctrl/E"/>	Moves cursor to end of input field
<input type="button" value="Ctrl/H"/>	Moves cursor to start of input field
Edit Keys	
<input type="button" value="Return"/> , <input type="button" value="Select"/> , or <input type="button" value="Enter"/>	Enters/Selects a value
<input type="button" value="Remove"/> or <input type="button" value="Ctrl-U"/>	Deletes all characters from a field
<input type="button" value="Delete"/>	Deletes previous character
Action Keys	
<input type="button" value="Help"/> or <input type="button" value="Ctrl/K"/>	Provides help on the current field

(continued on next page)

Using the Configuration Program

2.3 Common Operations

Table 2–1 (Cont.) Available Keys

DEC Terminal (VT200 or higher) Keys	Function
F9 or Ctrl/R	Return to Procedure Help menu
F10 or Ctrl/Z	Exit Help
F8 or Ctrl/Z	Quit
F14 or Ctrl/A	Toggle Insert/Overstrike Mode
Ctrl/W	Redraw screen

2.3.5 Accessing the Options Menu

An Options Menu is displayed when:

- You review or modify a section in BASIC mode.
- You complete the last data entry screen of a section while creating or modifying a section in ADVANCED mode.

Generally, the Options Menu for a section provides the following choices:

- Continue to a new section
- Add / Enable an *X*
- Modify an *X*
- Delete / Disable an *X*
- Go to Sections Menu

where *X* is the item you created in that section.

For example, the Remote DTE Class Options Menu provides the following choices:

```
Continue to a new section
Add a Remote DTE Class
Modify a Remote DTE Class
Delete a Remote DTE Class
Go to Sections Menu
```

To perform an action, select one of the options on the Options Menu. The options have the following meanings:

Continue to a new section

Choose this option when you have finished entering or amending information in the current section. The configuration program then displays the first screen in the next uncompleted section.

Add an *X*

Choose this option to add another item to the current section.

Modify an *X*

Choose this option to modify some or all of the information previously entered about an item.

Delete an *X*

Choose this option to delete an item in the current section.

Go to Sections Menu

Choose this option to display the Sections Menu. Selecting a section from the Sections Menu will display the Options Menu of that section.

2.4 Obtaining Help

You can get help at any time during the program by pressing the **[Help]** key. The level of help you receive depends on where the cursor is positioned when you press the **[Help]** key. Subsections Section 2.4.1, Section 2.4.2, and Section 2.4.3 detail each level of help.

2.4.1 Obtaining Help on a Specific Field or Menu Choice

If you press **[Help]** while the cursor is on a particular field or menu choice, lines of text will appear near the bottom of the screen. The text tells you what sort of value is expected in that field, or what the implications are of making that choice if further help is available.

If you press **[Help]** again and further help is available, the screen is replaced by further information on that field or menu choice. Press **[F10]** to leave Help and return to the screen from which you pressed **[Help]** originally.

2.4.2 Obtaining General Help

If you press **[Help]** while on any of the introductory screens, the screen will be replaced by general information on that section. For example, pressing **[Help]** while on the NCL introduction screen brings up general information on NCL script and NCL commands.

2.4.3 Obtaining Help on the Program

You can get help on the configuration program (for example, what keys you can use, how to navigate between screens) by pressing **[Help]** while you are on any other Help screen. A list of topics is presented from which you can select the item of interest. Press **[F10]** to leave Help and return to the screen from which you pressed **[Help]** originally.

2.5 Creating the Configuration File

The final section in the configuration program, NCL Script, allows you to initiate the generation of the relevant NCL script for the configuration file from the information held in the configuration database.

This section can be accessed in either of the following ways:

- Select the option “NCL Script” option from the Sections Menu.
- Complete the next to last section and select the option “Continue to a new section” option from the Options Menu.

When the NCL Script Section is accessed, you are prompted whether to create the NCL script immediately or modify your answers:

Do you want to modify your answers?

To create the NCL script, enter NO in response to the prompt.

If you want to return to any of the completed sections and modify the existing data before creating the NCL script, enter YES in response to the prompt. The Sections Menu is redisplayed.

To quit from the configuration program without generating an NCL script, refer to Section 2.6.

During the creation of the NCL script a number of messages are displayed on the screen and a number of system files are created:

Using the Configuration Program

2.5 Creating the Configuration File

`SYSS$SYSTEM:X25$SECURITY_IDENTIFIERS.COM`

This command procedure creates the rights identifiers required based on the security information you enter. This procedure can be run prior to leaving the configurator. If the command procedure is created, you are prompted whether to run the procedure.

`SYSS$SYSTEM:MODPARAMS.DAT`

This file is modified only if you have configured X.25 Client and the number of session control connections is changed. It contains values for a number of system parameters, based on the number of session control connections specified. Refer to Section 2.8.

`SYSS$STARTUP:X25$SESSION_STARTUP.COM`

This command procedure defines the process parameters for the X.25 for OpenVMS Session Control Process. It is run when X.25 for OpenVMS is invoked.

`SYSS$STARTUP:X25$APPL_STARTUP.COM`

This command procedure defines the process parameters for the X.25 for OpenVMS Application Daemon Process. It is run when X.25 for OpenVMS is invoked. If the file is not found during startup, `SYSS$STARTUP:X25$STARTUP.COM` contains default parameters to use when starting the Application Daemon Process (`X25$APPLD`).

`SYSS$STARTUP:X25$MAIL_SETUP.COM`

This command procedure creates the user account in which X.25 Mail will run. It is created only if the X.25 Utilities Section is completed and is run before you exit the configuration program.

Finally, the Main Menu is redisplayed to allow you to exit the configuration program.

If, for some reason, the program cannot create the NCL script, an error message is displayed at the foot of the screen. This may occur if, for example, a file cannot be created due to incorrect permissions. You must correct the problem before making a further attempt to create the NCL script.

To correct the problem:

1. Press `[Return]` to display the Main Menu.
2. Select the option "Exit this program".
3. Rectify the error.
4. Re-run the configuration program.
5. Select the option "Modify an existing configuration script".
6. Access the NCL Section from the Sections Menu.

7. Select to create the NCL script.
8. If the course of action detailed in steps 1 to 7 does not rectify the problem, please report the problem to your HP support representative.

2.6 Quitting from the Configuration Program

Caution

Quitting from the configuration program deletes all information entered since the NCL script was last created or since the configuration data was last saved. This action should therefore be performed only if you do not want to retain the entered data.

To quit from the configuration program without creating an NCL script:

1. Press **F8**.
A warning message is displayed and you are prompted to confirm that you want to quit the configuration program.
2. To quit the program, enter YES. The system prompt is redisplayed.
To return to the program, enter NO. The screen from which you chose to quit the configuration program is redisplayed.

2.7 Leaving the Configuration Program

Once the configuration program has created the configuration file containing the NCL scripts, the Main Menu is redisplayed.

To leave the configuration program, select the option “Exit this program”.

2.8 Post-Configuration Tasks

After configuring your system you should perform the following tasks:

1. If you changed the number of session connections, run the Autogen utility and reboot your system. For example, these actions can be performed by issuing the command:

```
$ @SYS$UPDATE:AUTOGEN SAVPARAMS REBOOT FEEDBACK
```

Further details about configuring the number of session control connections are given in Section 8.6.

2. Ensure that the NSP attributes Maximum Transport Connections and Maximum Remote NSAPs are large enough to support the number of session connections required. The default values of these attributes are 200 and 201 respectively.
3. If you have run the configurator in BASIC mode, grant the rights identifier X25_OUTGOING_ALL to all users and processes that are to be permitted to make outgoing calls.

Using the Configuration Program

2.8 Post-Configuration Tasks

4. For compatibility with VAX P.S.I., a number of logicals have been provided (but commented out) in `SYS$STARTUP:X25$STARTUP.COM`. Details of the available logicals are provided in the *HP X.25 for OpenVMS—Management Guide*. To use these logicals, edit `X25$STARTUP.COM` and remove the comment characters that precede the logicals.
5. Shut down any existing X.25 for OpenVMS configuration by running the command procedure `SYS$STARTUP:X25$SHUTDOWN.COM`.
6. Run the command procedure `SYS$STARTUP:X25$STARTUP.COM` to execute the NCL script.

Part II

BASIC Configuration Mode

This part details how to run the configuration program in BASIC mode. It consists of three chapters:

- Chapter 3 provides an overview of running the configuration program in BASIC mode and describes each of the available configuration sections.
- Chapter 4 details the data that you need to obtain before running the utility.
- Chapter 5 provides flowcharts to illustrate the flow of data entry and data required within each section. Each flowchart is accompanied by a set of associated notes.

Overview of BASIC Mode

3.1 Introduction to the BASIC Mode

The BASIC mode of the configuration program allows you to configure a working X.25 system without needing to have any knowledge of the X.25 management entities and the relationship between such entities.

To use the BASIC mode, you only need to have a knowledge of the network components of your system and a basic knowledge of X.25. If you are new to X.25 and you have not already done so, you are encouraged to read the *HP DECnet-Plus for OpenVMS —Introduction and User's Guide* before using the configuration program.

3.2 Configuration Program Structure

The configuration program consists of a number of configuration sections, each section corresponding to a specific function. The following sections are available:

1. X.25 Connection
 - X.25 over Wide Area Network
 - X.25 over Local Area Network
 - X.25 Client
2. PVCs
3. X.25 Incoming Call Security
4. X.29 Support
5. X.25 Mail

You do not need to complete each of the available sections; you only need to complete the sections relevant to the configuration that you want to set up. For example, you might only want to configure the X.25 Connection as an X.25 Client and configure security. Note that **only one** of the subsections in the first section can be completed.

The data required to complete a configuration depends on the sections to be completed. Details explaining the purpose of each section are given in Section 3.3 and full details about the data required to complete each section are given in Chapter 4.

Overview of BASIC Mode

3.3 Configuration Sections

3.3 Configuration Sections

X.25 Connection

This section allows you to select the type of network connection you wish to configure. You must select one of the three connection types. Three suboptions are available:

- **X.25 over Wide Area Network**

This section allows you to enter details about an X.25 network to which your system is attached. You must provide the profile name, DTE address, outgoing and incoming channel number ranges, and synchronous line associated with the DTE connected to the named network.

- **X.25 over Local Area Network**

This section allows you to enter details about each of the LAN-based remote hosts you want to access from this system. You must select a LAN device to be used by all the LAN remote hosts. For each remote host you name, you must provide the DTE address and remote Media Access Control (MAC) address associated with each DTE connected to the LAN. A profile does not need to be specified as it is set to ISO8881.

- **X.25 Client**

This section allows you to enter details about an X.25 network (Remote DTE Class) to which your system is attached and the X.25 Connector nodes used by the specified network (Remote DTE Class) to access the PSDN.

PVCs

This section allows you to define one or more Permanent Virtual Circuits (PVCs). Your PSDN subscription will determine whether you are permitted to set up any PVCs. For each PVC you name you must specify a channel number.

This section is not presented if you configure your system as an X.25 Client.

Incoming Call Security

Note

HP **strongly recommends** that you set up incoming security to protect your system from unauthorized use.

This section allows you to select the type of security to be applied to your X.25 system. Select one of the following three options:

- Allow all incoming access
- Allow no incoming access
- Restricted incoming access

If restricted incoming access is selected, you must enter remote DTE addresses for each remote DTE that needs to make an incoming call. The remote DTE addresses must be categorized and entered in one of two Access Level categories: Remote Charge or All.

X.29 Support

This section allows you to configure X.29 support on your system so that remote users can access the local system via an X.25 network and local users can access a remote system via an X.25 network. If required, you can specify a Network User Identity (NUI) to identify the party that is to pay for each outgoing call.

X.25 Mail

This section allows you to include X.25 Mail support on your system so that users can send mail to, and receive mail from, other systems that implement the Mail-11 protocol over X.25.

Required Configuration Data

4.1 Overview

This chapter details the information you will need to provide while running the configuration program in BASIC mode.

Tables 4–1 to 4–6 list all the information you will require during the configuration. You should write down the configuration parameter values specific to your system in Appendix A (which provides a series of blank forms) and refer to that Appendix when you run the configuration program.

Table 4–1 lists the information you need to complete the X.25 over Wide Area Network Section of the configuration program.

Table 4–1 Configuration Information: X.25 over Wide Area Network

Information required	Form in which it is required	Where to find information	Default value or setting
Profile name	–	Refer to Section 1.6.2	–
X.25 address	Max 15 digits	PSDN subscription information	–
Synchronous line name	Characters	Choose from lines determined by program	–
Incoming logical channel ranges	Range of numbers	PSDN subscription information	{[1..4095]}
Outgoing logical channel ranges	Range of numbers	PSDN subscription information	{[1..4095]}

Required Configuration Data

4.1 Overview

Table 4–2 lists the information you need to complete the X.25 over Local Area Networks Section of the configuration program.

Table 4–2 Configuration Information: X.25 over Local Area Network

Information required	Form in which it is required	Where to find information	Default value or setting
LAN device	Characters	Choose from devices determined by program	–
X.25 DTE address	Max 15 digits	You supply	–
LAN remote host name	Max 32 characters	You supply	–
Remote MAC address	LAN hardware address	Remote system	–
Incoming logical channel ranges	Range of numbers	PSDN subscription information	{[1..4095]}
Outgoing logical channel ranges	Range of numbers	PSDN subscription information	{[1..4095]}

Table 4–3 lists the information you need to complete the X.25 Client Section of the configuration program.

Table 4–3 Configuration Information: X.25 Client

Information required	Form in which it is required	Where to find information	Default value or setting
Network name (Remote DTE class)	Max 32 characters	You supply	–
Connector node names	Max 32 characters	You supply	–

Table 4–4 lists the information you need to complete the PVCs Section of the configuration program.

Table 4–4 Configuration Information: PVCs

Information required	Form in which it is required	Where to find information	Default value or setting
DTE name (if more than one present)†	Max 32 characters	Choose from available DTEs	–
PVC names	Max 32 characters	You supply	PVC– <i>n</i>
Channel numbers	Integer ¹	PSDN subscription information	–

¹The value entered must lie outside the incoming and outgoing channel ranges for the specified DTE.

†Multiple DTEs are permitted only for LAN configurations.

Table 4–5 lists the information you need to complete the Incoming Call Security Section of the configuration program.

Table 4–5 Configuration Information: Incoming Call Security

Information required	Form in which it is required	Where to find information	Default value or setting
Security option	Allow all incoming access Allow no incoming access Restrict incoming access	Choose one of the available options	–

If you select “Restrict incoming access” you must enter the following additional information:

DTE addresses of systems that can call this system only if they pay for the call	Max 15 digits. Can be a full DTE address or a Remote Address Prefix (RAP)	You supply	–
DTE addresses of systems that can call this system irrespective of who pays for the call	Max 15 digits. Can be a full DTE address or a Remote Address Prefix (RAP)	You supply	–

Table 4–6 lists the information you need to complete the X.29 Support Section of the configuration program.

Table 4–6 Configuration Information: X.29 Support

Information required	Form in which it is required	Where to find information	Default value or setting
X.29 network user identity	Octet string	You supply	–

Flowcharts and Associated Notes

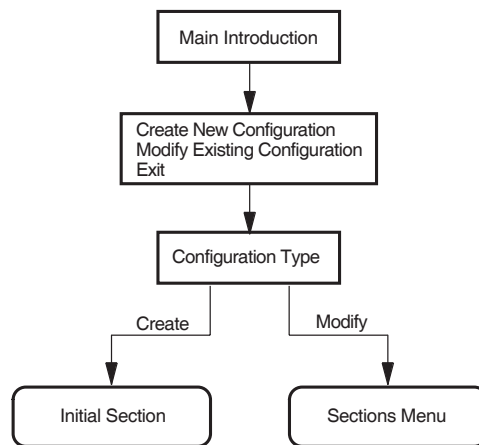
This chapter contains flowcharts illustrating each section presented when the BASIC mode of the configuration program is run, together with notes about each section.

5.1 Introduction

Figure 5–1 illustrates the Introduction Section.

The Introduction Section provides you with options to create a new X.25 for OpenVMS configuration, modify an existing configuration, or exit from the program. These options are detailed more fully in subsections 5.1.1, 5.1.2, and 5.1.3 respectively.

Figure 5–1 Introduction



Flowcharts and Associated Notes

5.1 Introduction

5.1.1 Creating a New Configuration

To create a new configuration:

1. Select the option “Create a new configuration script”.

The configuration program displays the the Configuration Type Section. This section displays the types of X.25 systems that you can configure. The choices are:

- X.25 over Wide Area Network
- X.25 over Local Area Network
- X.25 Client

2. Select the type of system you want to configure. You can select only one of the available choices.

The configuration program then displays the configuration section associated with the option selected.

The section displayed is the first in a series of sections that can be completed. You do not have to complete every section, only those that present functions that you want to configure. When the current section has been completed, you are given the opportunity to amend that section or to move on to another section. In some sections you are given the opportunity to move on to the next section without completing the current section.

3. Complete the current section or select to move on to the next section.
4. Repeat step 2 for each of the sections. To create a configuration script you **must** complete the NCL Script Section.

5.1.2 Modifying an Existing Configuration

To modify an existing configuration:

1. Select the option “Modify an existing configuration script”.

The Configuration Type screen is displayed with the current X.25 connection type highlighted.

2. Select the type of X.25 connection you want to configure. You can select only one of the available choices. The next action depends on whether you select to retain the existing type of X.25 connection or to create a different type:

- If you select to retain the existing type, the Sections Menu is displayed. Continue at step 3.
- If you select to create a different type, you will be prompted to confirm that you want to delete the existing X.25 connection information. If you choose to delete the existing information, the section associated with the selected (new) configuration type is displayed and must be completed. Once completed, the Sections Menu is displayed. Continue at step 3.

3. The Sections Menu presents the sections that can be modified. These are:

1. X.25 Connection
2. PVCs
3. Incoming Call Security
4. X.29 Support
5. X.25 Mail

6. NCL Script

Note that a section is presented in the list only if that section has been completed.

Initially, the first section is highlighted to indicate that it is the current section.

To modify an existing section, use the up-arrow and down-arrow keys to highlight the required section (and hence make it current) and then press **[Return]**.

The Options Menu for the specified section is displayed and allows you to modify the existing data.

To configure a new section, use the up-arrow and down-arrow keys to highlight any section other than the NCL Script and then press **[Return]**.

The Options Menu for the specified section is displayed and allows you to select to move on to the next section. This action will display the next section not yet configured.

For further details on modifying an existing configuration and facts that you should be aware of before making any modifications, refer to Chapter 10.

If you want to modify a section after creating it you can return to that section from the Sections Menu. To display the Sections Menu while creating a configuration, move to the NCL Script Section and, when prompted whether to modify your answers, enter "Yes". Note that the Sections Menu only displays those sections that have been completed.

5.1.3 Exiting the Configuration Program

To leave the configuration program, select the option "Exit this program" from the Main Menu.

Full details of quitting and leaving the configuration program are provided in Chapter 2.

Flowcharts and Associated Notes

5.2 X.25 over Wide Area Network

5.2 X.25 over Wide Area Network

This section allows you to enter details about an X.25 network to which your system is attached. You must provide information associated with the DTE connected to the named network. It is assumed that the system is to be attached to a public or private network and will have a DTE connected to the specified network.

Figure 5-2 illustrates the X.25 over Wide Area Network Section.

Profile Name

An X.25 profile is a set of parameters that indicate to X.25 for OpenVMS the correct operating procedures for a particular network. The profile name defines a specific profile. The valid profiles are given in the help text for this prompt. Typically, the profile name corresponds to the name of the PSDN.

X.25 Address

The X.25 address is the X.25 DTE address assigned by the PTT when the network connection to a Packet Switched Data Network (PSDN) is purchased. An X.25 address is a series of numeric digits similar to a telephone number.

Synchronous Line

The synchronous line indicates which of the available synchronous communications devices supported by this host can be used by the specified DTE for its connection to a PSDN. Select one of the available lines.

Incoming Logical Channel Range

The incoming logical channel number range specifies what channel numbers can be expected by X.25 for OpenVMS when an incoming call request is received. This information is supplied by the PTT authority when the DTE subscription is made. You must enter the channel range in the following format:

```
{[start-of-range .. end-of-range]}
```

where *start-of-range* must be less than or equal to *end-of-range*. For example, to enter the range 1 to 4095, enter {[1..4095]}. Separate multiple ranges using commas. For example, to specify channels 1-3, 5-7, and 10-4095, enter {[1..3], [5..7], [10..4095]}. Note that a range of one number must still be entered as a range. For example, to specify only channel 4, enter {[4..4]}.

Note

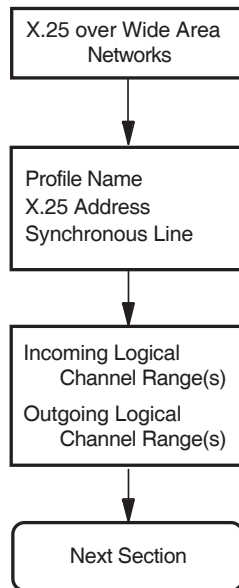
If you intend to define PVCs, ensure that you leave enough channel numbers free to allow for the PVCs. For example, by entering the range {[10..4095]}, 9 channels are left free for assignment to PVCs.

Outgoing Logical Channel Range

The outgoing logical channel number range specifies what channel numbers can be used by X.25 for OpenVMS when an outgoing call request is made. This information is supplied by the PTT authority when the DTE subscription is made.

Enter the channel range in the same format as the incoming channel range. For example, to enter the range 1 to 4095, enter {[1..4095]}. See **Note** under Incoming Logical Channel Range.

Figure 5-2 X.25 over Wide Area Network Section



Flowcharts and Associated Notes

5.3 X.25 over Local Area Network

5.3 X.25 over Local Area Network

This section allows you to enter details about each of the LAN-based X.25 remote hosts you want to access from this system. For each LAN remote host you name, you must provide information on the DTE that is connected to the LAN.

Figure 5-3 illustrates the X.25 over Local Area Network Section.

LAN Device Name

The LAN device name indicates which of the available LAN connections the LAN-based DTEs are to use as the connection to the LAN-based X.25 network. You are only permitted to specify **one** LAN device.

X.25 DTE Address

The X.25 DTE address is the X.25 address that is used by other nodes in this X.25 network to identify this DTE. A DTE address is a series of numeric digits similar to a telephone number. It must be unique within each X.25 network.

LAN Remote Host Name

The LAN remote host name is simply a name that is used to distinguish between the different remote hosts. This name must be unique. For example, REMOTE-LAN-1.

To specify more than one LAN remote host, complete this section for the first remote host and then select to define another.

Remote MAC Address

The remote Media Access Control (MAC) address identifies the remote node accessed by this DTE. This address is fixed. A MAC address consists of a series of up to twelve hexadecimal digits, optionally separated by hyphens. For example: 1b-34-5f-78-e4-ab.

Note that each DTE may access only one other X.25 node on the LAN.

Incoming Logical Channel Range

The incoming logical channel number range specifies what channel numbers can be expected by X.25 for OpenVMS when an incoming call request is received. You must enter the channel range in the following format:

```
{[start-of-range .. end-of-range]}
```

where *start-of-range* must be less than or equal to *end-of-range*. For example, to enter the range 1 to 4095, enter {[1..4095]}. Separate multiple ranges using commas. For example, to specify channels 1-3, 5-7, and 10-4095, enter {[1..3],[5..7],[10..4095]}. Note that a range of one number must still be entered as a range. For example, to specify only channel 4, enter {[4..4]}.

Note

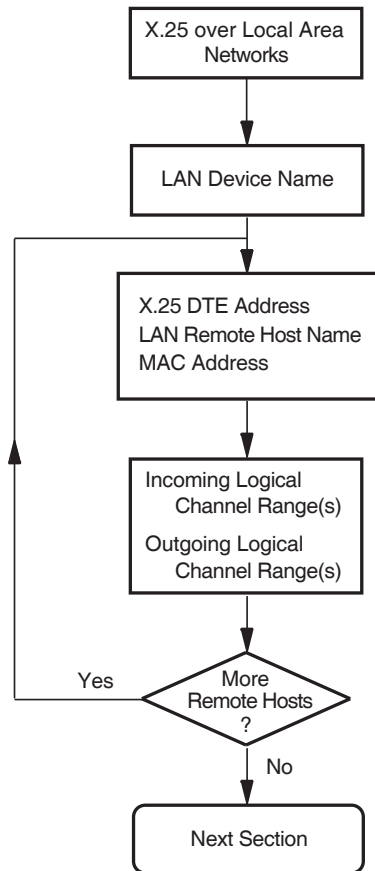
If you intend to define PVCs, ensure that you leave enough channel numbers free to allow for the PVCs. For example, by entering the range {[10..4095]}, 9 channels are left free for assignment to PVCs.

Outgoing Logical Channel Range

The outgoing logical channel number range specifies what channel numbers can be used by X.25 for OpenVMS when an outgoing call request is made.

Enter the channel range in the same format as the incoming logical channel range. For example, to enter the range 1 to 4095, enter {[1..4095]}. See **Note** under Incoming Logical Channel Range.

Figure 5-3 X.25 over Local Area Network Section



Flowcharts and Associated Notes

5.4 X.25 Client

5.4 X.25 Client

This section allows you to enter details about an X.25 network to which your system is attached via one or more X.25 Connector systems through which your system gains access to the PSDN. You must provide the node names of the X.25 Connector systems that provide the connection to the required PSDN.

Figure 5-4 illustrates the X.25 Client Section.

Network Name

The X.25 network name is simply a name that is used to distinguish between the different Packet Switch Data Networks (PSDNs) to which the local machine has a connection via an X.25 Connector system.

Note

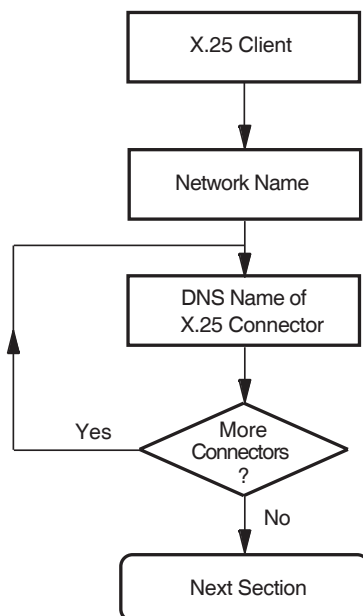
The names that you choose for the network must correspond to the name of a local DTE class on the X.25 Connector system.

Connector Node Names

The node names of the X.25 Connector systems must be specified as either Phase V DECdns full names or Phase IV node synonyms. Examples of Phase V DECdns node names include:

```
dnu:.zko.star  
dvbo:.afsg.comms.werner  
dmiller:.sales.west_coast.salem.WillyLoman  
dOZ:.QLD.Gold_Coast.Research_Park.Wasa
```

Figure 5-4 X.25 Client



5.5 PVCs

This section is not presented if the X.25 Client Section is completed.

This section allows you to enter details about each of the Permanent Virtual Circuits (PVCs) to be used by your system. Your PSDN subscription will determine whether you are permitted to set up any PVCs.

Figure 5–5 illustrates the PVCs Section.

Note

The information you enter in this section is used in the Incoming Call Security Section. If you modify this section after configuring security, HP recommends that you also modify the Incoming Call Security Section.

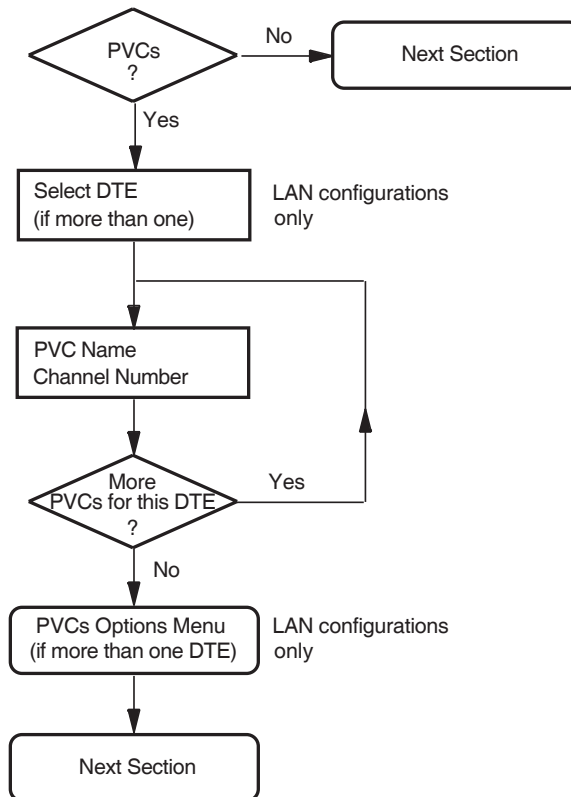
PVC Name

The PVC name is simply a name that is used to distinguish between the different PVCs. This name must be unique. For example, PVC-1.

Channel Number

The channel number must be specified as an integer and must lie outside the outgoing and incoming logical channel ranges specified in the X.25 over Wide Area Network Section or X.25 over Local Area Network Section.

Figure 5–5 PVCs Section



Flowcharts and Associated Notes

5.6 Incoming Call Security

5.6 Incoming Call Security

This section allows you to enter details about the type of incoming call security to be applied to your X.25 system.

Figure 5–6 illustrates the Incoming Call Security Section.

Select one of three security options:

- Allow All Incoming Access
- Allow No Incoming Access
- Restrict Incoming Access

If the “Restrict Incoming Access” option is selected, you must define the access level to be granted to each remote DTE that needs to make an X.25 call to the local system.

The access level granted to each remote DTE can be one of the following:

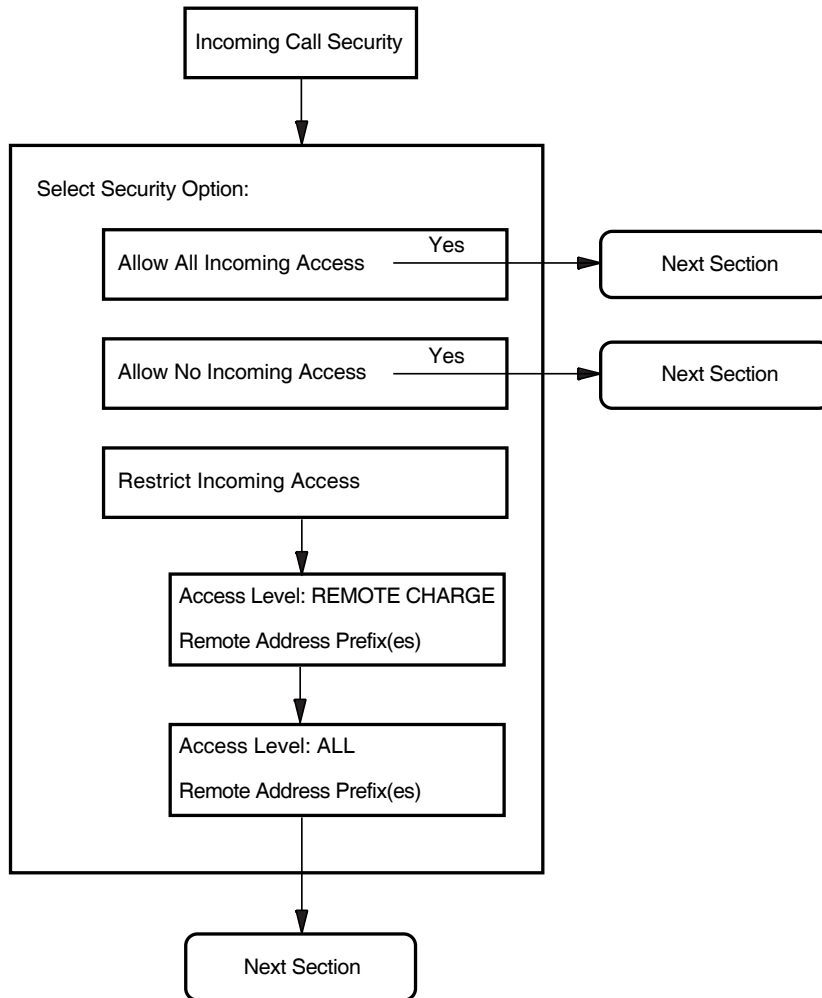
Remote_Charge	Remote DTEs are only permitted to make calls that do not contain a reverse charging request, that is, the local system will never be charged for the call
All	Remote DTEs are permitted to make any type of incoming calls to the local system

Separate screens are presented for each access level. On the relevant screen, enter the Remote Address Prefix (RAP) of each remote DTE to be granted the specified access level.

Wildcards can also be used to specify an address. Entering only the wildcard, *, implies that the local system can receive calls from **any** DTE address.

Note that any calls from DTE addresses with RAPs that are **not** specified will be cleared.

Figure 5-6 Incoming Call Security



Flowcharts and Associated Notes

5.7 X.29 Support

5.7 X.29 Support

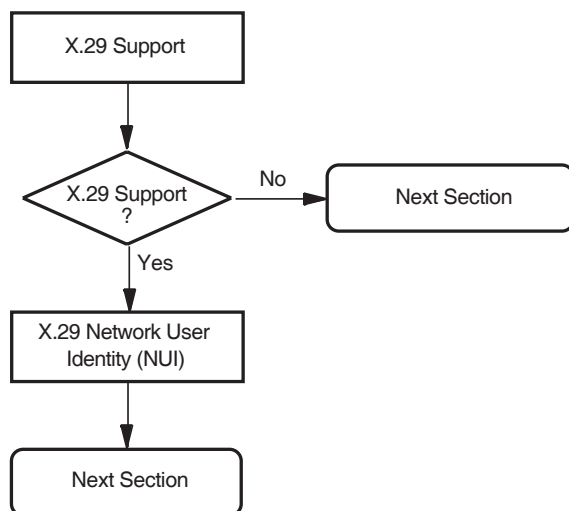
Support for X.29 allows users to access the local system remotely via an X.25 network and to access remote systems via the X.25 network from the local system.

Figure 5–7 illustrates the X.29 Support Section.

X.29 Network User Identity

The X.29 Network User Identity (NUI) identifies the party that is to pay for each outgoing call, and the DTE class to be used for the outgoing X.29 calls. Enter the NUI in the form `%xnnnnn` or `'nnnnn'H` where `nnnnn` can consist of up to 107 octets.

Figure 5–7 X.29 Support Section



5.8 X.25 Mail

X.25 Mail allows users to send mail to, and receive mail from, other systems that implement the Mail-11 protocol over X.25.

If you answer “Yes” when prompted whether to configure X.25 Mail, the configurator will create an account called X25\$MAIL in which X.25 Mail will run when X.25 Mail calls are received by the system being configured.

The account created is a network account having the following attributes:

- TMPMBX privilege
- PSI\$X25_USER rights identifier

5.9 NCL Script

Figure 5–8 illustrates the NCL Script Section.

When you reach this section, you have entered sufficient information to create a working X.25 configuration. If you want to verify some of the information you have entered, or add or delete some information, enter “Yes” in response to the question “Do you want to modify your answers?”. The Sections Menu will be displayed, from which you can choose the section you want to review.

When you are sure that the information you have entered is correct and complete, display the Sections Menu and select the option “Create the NCL Script”.

If the program creates the configuration file, a message is displayed which indicates the filename assigned to the file.

If, for some reason, the program cannot create the NCL script, error messages are displayed at the foot of the screen. If this occurs, you must correct the problem before making a further attempt to create the NCL script.

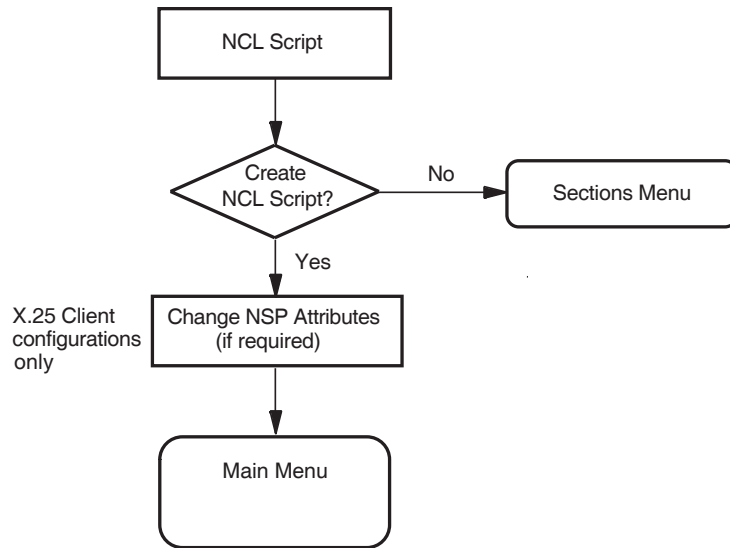
Next, if you have configured an X.25 Client system, you are presented with a screen that details the minimum number of session connections required for your X.25 for OpenVMS configuration. The number of connections is calculated on the basis of 128 connections per X.25 Connector node specified.

The configuration program now displays the number of Session Connections that can be established based on the configuration you have defined. You must ensure that the NSP attributes Maximum Transport Connections and Maximum Remote NSAPs are large enough to support this number of session connections. The default values of these attributes are 200 and 201 respectively.

If you need to change the values of the specified NSP attributes:

1. Exit the configuration program.
2. Use NCL to disable the NSP entity.
3. Make the required NSP attribute changes.
4. Enable the NSP entity.

Figure 5-8 NCL Script



Part III

ADVANCED Configuration Mode

This part details how to run the configuration program in ADVANCED mode. It consists of three chapters:

- Chapter 6 provides an overview of running the configuration program in ADVANCED mode and describes each of the available configuration sections.
- Chapter 7 details the data that you need to obtain before running the utility.
- Chapter 8 provides flowcharts to illustrate the flow of data entry and data required within each section. Each flowchart is accompanied by a set of associated notes.

Overview of ADVANCED Mode

6.1 Introduction to the ADVANCED Mode

The ADVANCED mode of the configuration program allows you to fully configure an HP X.25 for OpenVMS system or to reconfigure an existing system.

To use the ADVANCED mode, you should have a good understanding of the X.25 management entities, the relationship between those entities, and a good understanding of X.25.

When you invoke the utility in ADVANCED mode, you can decide whether to create a new configuration or modify an existing configuration.

This mode of the configuration program can also be used to modify a configuration that was defined using the BASIC mode of the utility. When the utility is run, any existing configuration data is retrieved from the configuration database so that it can be viewed and, if required, modified.

6.2 Configuration Program Structure

The configuration program consists of a number of sections, each section corresponding to a logical group of information.

Details explaining the purpose of each section are given in Section 6.3 and full details about the data required to complete each section are given in Chapter 7.

6.3 Configuration Sections

The configuration program has 20 sections, but not all sections are relevant to both Direct Connect systems (including Connector systems) and Client systems. Table 6-1 shows the sections that apply to each type of system. Details on each of the sections are provided after Table 6-1.

Note

You must complete **at least one** of the following sections:

- Remote DTE Classes Section
 - Lines and DTEs Section
 - LLC2 DTEs Section
 - XOT DTEs Section
-

Overview of ADVANCED Mode

6.3 Configuration Sections

Table 6–1 Configuration Sections Applicable to Client and Direct Connect Systems

Configuration Section	Applies to Direct Connect Systems?	Applies to Client Systems?
Remote DTE Classes	No	Yes
Lines and DTEs‡	Yes	No
LLC2 DTEs‡ ¹	Yes	No
XOT DTEs‡ ¹	Yes	No
Session Connections	No	Yes
PVCs	Yes	No
Groups	Yes	No
X.29 Support	Yes	Yes
X.25 Mail Applications	Yes	Yes
Relay Clients	Yes	No
Filters	Yes	Yes
Templates	Yes	Yes
Reachable Addresses	Yes	Yes
Server Clients and Filters	Yes	No
Security	Yes	Yes
Incoming Security: Applications	Yes	Yes
Incoming Security: Filters	Yes	Yes
Incoming Security: Relay Clients	Yes	No
Outgoing Security: Local Processes	Yes	Yes
NCL Script	Yes	Yes

¹DECnet-Plus must be installed and configured in order to complete this section.

‡You must set up at least one synchronous line and associated DTE or at least one LLC2 or XOT DTE.

Remote DTE Classes

This section allows you to specify the DTE classes on the X.25 Connector systems that your X.25 Client system will use to access one or more PSDNs.

You must configure **at least one** Connector node to complete this section.

Lines and DTEs

This section allows you to enter details relevant to Lines and DTEs.

You must configure **at least one** synchronous line to complete this section.

Choose a line on your system to configure for X.25 communications.

LLC2 DTEs

This section allows you to enter details relevant to LLC2 DTEs. This allows your system to communicate using X.25 over a local area network (LAN).

You must configure **at least one** LAN device to complete this section.

XOT DTEs

This section allows you to enter details relevant to XOT DTEs. This allows your system to communicate using X.25 over a TCP/IP connection.

You must configure **at least one** TCP/IP connection to complete this section.

Session Connections

This section allows you to specify the maximum number of session control connections (virtual circuits) supported by the X.25 for OpenVMS interface. This section is presented only if the Remote DTE Classes Section has been completed.

PVCs

This section allows you to define one or more Permanent Virtual Circuits (PVCs). Your PSDN subscription will determine whether you are permitted to set up any PVCs. This section is presented only if the Lines and DTEs Section, LLC2 DTEs Section, or XOT DTEs Section has been completed.

Groups

This section allows you to enter details of Closed User Groups (CUG) and Bilateral Closed User Groups (BCUG) on your system. This section is presented only if the Lines and DTEs Section, LLC2 DTEs Section, or XOT DTEs Section has been completed.

If your DTE belongs to a CUG, it can communicate freely with remote DTEs that are members of the same CUG. Your DTE's communication with other DTEs (outside the CUG) may be restricted, depending on your PSDN subscription options.

You must complete this section if you have requested this facility from your PSDN.

X.29 Support

This section allows you to add support for X.29 communications. X.29 support is required if you want users of character-mode terminals to be able to log in from this system to remote X.25 systems, or from remote X.25 systems to this system, using X.29 protocols.

X.25 Mail

This section allows you to add support for X.25 Mail. X.25 Mail is required if your X.25 for OpenVMS system is to send mail to, or receive mail from, other X.25 nodes.

Applications

This section allows you to specify X.25 and X.29 applications on your system that are used to accept incoming calls.

You must specify any X.25 or X.29 applications on your system, to allow incoming calls for those applications to succeed.

For each application you must define at least one filter, the name of the command file that starts the application, and a user name.

Relay-Clients

This section allows you to specify X.25 Relay-Clients on your X.25 Relay system. This manual uses the term Relay-Clients to refer to the X.25 management entity on the X.25 Relay system that holds the information about the actual X.25 Relay Client system. These allow your system to relay incoming calls to other X.25 nodes in your local network.

Overview of ADVANCED Mode

6.3 Configuration Sections

For each X.25 Relay–Client, you must specify a DTE class and at least one filter. The filter is used to match incoming calls to the Relay–Client, and the DTE class and template (if present) are used by the Relay–Client when making the outgoing call used to relay the call.

Filters

This section allows you to specify the filters to be used to determine the action taken when an incoming call is received.

You must supply a filter name and a priority for each filter. You may leave all the other parameters unspecified.

The more parameters you specify in a filter, the more specific is that filter. For example, you could create a filter with most of its parameters unspecified, and with a low priority, to act as a “catchall” for unexpected calls.

One filter, called `OSI Transport`, is automatically created on your system. In addition, if you choose X.29 support, an additional filter, called `X29`, is created. If you choose X.25 Mail support, a third filter, called `X25_MAIL` is also created.

Templates

This section allows you to define the templates to be used when an outgoing call is made.

Your system uses a template to make outgoing calls. The template sets various parameters for each call made using that template.

Two templates, called `Default` and `OSI Transport`, are automatically created on your system. Appendix D lists the characteristic values of these templates. In addition, if you choose X.29 support, two additional templates, called `X29Login` and `X29Server`, are created. If you want additional templates, then you must complete this section.

Reachable Addresses

This section allows you to define the addresses of remote DTEs that are permitted to communicate with the X.25 system.

If you have local applications that use NSAP addresses to communicate with remote DTEs, then you must complete this section to provide a mapping between NSAP addresses and DTE addresses. Reachable addresses are used to convert NSAP addresses into DTE addresses.

Server–Clients

This section allows you to specify X.25 Server–Clients on your system. This manual uses the term `Server–Clients` to refer to the X.25 management entity on the X.25 Connector system that holds the information about the actual X.25 Client system. These allow your Connector system to service requests from X.25 Client systems in your DECnet network.

For each X.25 Server–Client, you must specify at least one service node and at least one filter. The filter is used to match incoming calls to the Server–Client, and the service node is used by the server to identify the node to contact when making the connection to the X.25 Client system.

X.25 Security

This section allows you to set up security to prevent unauthorized use of your X.25 for OpenVMS system. You may specify one of three security options:

- **Create or modify X.25 security**, which allows you to specify a detailed security setup in each of the following sections:
 - Incoming Security: Applications
You will see this section only if you have specified one or more applications to handle incoming calls. Complete this section if you want your applications to be able to receive calls from remote systems.
 - Incoming Security: Filters
You will see this section only if you have specified one or more filters to receive incoming calls. Complete this section for each filter you want to receive incoming calls.
 - Incoming Security: Relay-Clients
You will see this section only if you have specified one or more Relay-Clients to relay incoming calls. Complete this section for each Relay-Client you want to receive incoming calls.
 - Outgoing Security: Local Processes
You will see this section only if you have specified one or more applications. Complete this section if you want users on your system to be able to make calls to remote systems.
- **Allow outgoing X.25 calls only**, which allows applications to make calls from this system, but does not allow any incoming calls to be accepted. No further security information is required if you choose this option.
- **Allow all X.25 calls**, which allows all incoming and outgoing calls to be permitted by this system. It is strongly recommended that you **do not** choose this option if this system is connected to a public PSDN.

NCL Scripts

This section allows you to initiate the generation of NCL scripts based on the configuration data that you have entered.

This initiation should be performed only when you are satisfied that all the data you have entered is complete and correct.

Required Configuration Data

7.1 Overview

This chapter details the information you will need to provide while running the configuration program in ADVANCED mode.

Tables 7–1 to 7–18 list all the information you will require during the configuration. You should write down the configuration parameter values specific to your system in Appendix A (which provides a series of blank forms) and refer to that appendix when you run the configuration program. Note that the tables are presented in the order that the Sections are displayed if an X.25 system is configured for Client, WAN, and LAN usage.

Table 7–1 lists the information you need to complete the Remote DTE Classes section of the configuration program.

Table 7–1 Configuration Information: Remote DTE Classes

Information required	Form in which it is required	Where to find information	Default value or setting
Remote DTE class name	Max 32 characters	You supply	REMOTE-CLASS- <i>n</i>
Outgoing session template ¹	Max 32 characters	You supply	Default
Segment size	Decimal number	You supply	64
Node names	Max 64 characters	You supply	–

¹This is the name of an OSI TRANSPORT TEMPLATE entity. This is not used for the NSP transport. If you specify a value other than Default, you must configure the corresponding OSI TRANSPORT TEMPLATE entity using the DECnet-Plus configuration program.

Required Configuration Data

7.1 Overview

Table 7–2 lists the information you need to complete the Lines and DTEs section of the configuration program.

Table 7–2 Configuration Information: Lines and DTEs

Information required	Form in which it is required	Where to find information	Default value or setting
Line name	Select from list	Available lines determined by program	–
Line speed	Select from list	Supplier of line	4.8
Link name	Max 32 characters	You supply	LINK- <i>n</i>
DTE name	Max 32 characters	You supply	DTE- <i>n</i>
X.25 address	Max 15 digits	PSDN subscription information	–
Profile name		PSDN/HP	–
DTE interface type	DTE, DCE, or Negotiated	You supply	DTE
Incoming logical channel ranges	Numbers or ranges of numbers	You supply§	{[1...4095]}
Outgoing logical channel ranges	Numbers or ranges of numbers	You supply§	{[1...4095]}
Packet level negotiation ¹	Yes or No	–	Yes
Extended packet sequence numbering ¹	Yes or No	–	Yes
Minimum packet size ²	Decimal number	You supply §	Profile dependent
Maximum packet size ²	Decimal number	You supply §	Profile dependent
Default packet size	Decimal number	You supply §	Profile dependent
Level 3 minimum window size ²	Decimal number	You supply§	Profile dependent
Level 3 maximum window size ²	Decimal number	You supply§	Profile dependent
Level 3 default window size	Decimal number	You supply §	Profile dependent
Extended frame sequence numbering ¹	Yes or No	–	Yes
Level 2 window size	Decimal number	You supply§	Profile dependent
Level 2 maximum data size	Decimal number	You supply§	Profile dependent
Frame size	Decimal number	You supply §	Profile dependent

¹You only need to make this choice if the Profile you have entered supports the facility.

²You only need to enter values here if you have chosen to use Packet Level Negotiation.

§Subject to PSDN restrictions

(continued on next page)

Table 7–2 (Cont.) Configuration Information: Lines and DTEs

Information required	Form in which it is required	Where to find information	Default value or setting
Link interface type	DTE or DCE	You supply §	DTE
Segment size	Decimal number	PSDN Subscription information	Profile dependent
Inbound DTE class	Max 32 characters	You supply	Profile name

§Subject to PSDN restrictions

Table 7–3 lists the information you need to complete the LLC2 DTEs section of the configuration program.

Table 7–3 Configuration Information: LLC2 DTEs

Information required	Form in which it is required	Where to find information	Default value or setting
LAN device name	–	Available devices determined by program	–
LLC2 DTE name	Max 32 characters	You supply	DTE- <i>n</i>
LLC2 DTE address	Max 15 digits	You supply	–
Local LSAP address	2 Hex digits	You supply	7E
Level 3 profile	Max 32 characters	You supply	ISO8881
Incoming logical channel ranges	Numbers or ranges of numbers	You supply, in consultation with remote system	{{[1..4095]}}
Outgoing logical channel ranges	Numbers or ranges of numbers	You supply, in consultation with remote system	{{[1..4095]}}
Remote MAC address	LAN hardware address	Remote system	–
Remote LSAP address	2 Hex digits	You supply	7E
Link Interface type	DTE, DCE, or Negotiated	You supply	Negotiated
Packet level negotiation	Yes or No	–	No
Extended packet sequence numbering	Yes or No	–	No
Minimum packet size ¹	Decimal number	You supply	16
Maximum packet size ¹	Decimal number	You supply	1024
Default packet size	Decimal number	You supply	128
Level 3 minimum window size ¹	Decimal number	You supply	1

¹You need to supply these values only if you have chosen to use Packet Level Negotiation. If Packet Level Negotiation is not selected, you are prompted for the Packet Size and the Level 3 Window Size.

(continued on next page)

Required Configuration Data

7.1 Overview

Table 7–3 (Cont.) Configuration Information: LLC2 DTEs

Information required	Form in which it is required	Where to find information	Default value or setting
Level 3 maximum window size ¹	Decimal number	You supply	7
Level 3 default window size	Decimal number	You supply	2
Inbound DTE class	Max 32 characters	You supply	LLC2-CLASS- <i>n</i>

¹You need to supply these values only if you have chosen to use Packet Level Negotiation. If Packet Level Negotiation is not selected, you are prompted for the Packet Size and the Level 3 Window Size.

Table 7–4 lists the information you need to complete the XOT DTEs Section of the configuration program.

Table 7–4 Configuration Information: XOT DTEs

Information required	Form in which it is required	Where to find information	Default value or setting
Local TCP/IP address	TCP/IP address	You supply	0.0.0.0
XOT DTE name	Max 32 characters	You supply	DTE- <i>n</i>
XOT DTE address	Max 15 digits	You supply	–
Local RFC1613 port number	4 digits	You supply	1998
Level 3 profile	Max 32 characters	Fixed value	ISO8881
Incoming logical channel ranges	Numbers or ranges of numbers	You supply, in consultation with remote system	{[1..4095]}
Outgoing logical channel ranges	Numbers or ranges of numbers	You supply, in consultation with remote system	{[1..4095]}
Remote TCP/IP address	TCP/IP address	Remote system	–
Remote RFC1613 port number	4 digits	You supply	1998
Packet level negotiation	Yes or No	–	No
Minimum packet size ¹	Decimal number	You supply	16
Maximum packet size ¹	Decimal number	You supply	1024
Default packet size	Decimal number	You supply	128
Level 3 minimum window size ¹	Decimal number	You supply	1
Level 3 maximum window size ¹	Decimal number	You supply	7

¹You need to supply these values only if you have chosen to use Packet Level Negotiation. If Packet Level Negotiation is not selected, you are prompted for the Packet Size and the Level 3 Window Size.

(continued on next page)

Table 7–4 (Cont.) Configuration Information: XOT DTEs

Information required	Form in which it is required	Where to find information	Default value or setting
Level 3 default window size	Decimal number	You supply	2
Inbound DTE class	Max 32 characters	You supply	XOT-CLASS- <i>n</i>

Table 7–5 lists the information you need to complete the Session Connections Section of the configuration program.

Table 7–5 Configuration Information: Session Connections

Information required	Form in which it is required	Where to find information	Default value or setting
Maximum session control connections	Integer in range 1 to 512	You supply	10

Table 7–6 lists the information you need to complete the PVCs section of the configuration program.

Table 7–6 Configuration Information: PVCs

Information required	Form in which it is required	Where to find information	Default value or setting
DTE name	Max 32 characters	Select from list	DTE- <i>n</i>
PVC name	Max 32 characters	You supply	PVC- <i>n</i>
Channel number	Integer ¹	PSDN subscription information	-
Packet size	Decimal number	You supply§	Profile dependent
Window size	Decimal number	You supply§	Profile dependent

¹The value entered must lie outside the incoming and outgoing channel ranges specified for the DTE
§Subject to PSDN restrictions

Required Configuration Data

7.1 Overview

Table 7–7 lists the information you need to complete the Groups section of the configuration program.

Table 7–7 Configuration Information: Groups

Information required	Form in which it is required	Where to find information	Default value or setting
Group name	Max 32 characters	You supply	GROUP- <i>n</i>
Group type	BCUG, CUG, or CUGOA	You supply§	CUG
DTE name	–	Select from list	–
CUG number	Decimal number	PSDN subscription information	–
Remote DTE address ¹	Max 15 digits	PSDN subscription information	–

¹You need to supply this information only if the Group type is a BCUG.

§Subject to PSDN restrictions

Table 7–8 lists the information you need to complete the X.29 Support section of the configuration program. The configuration program default is to not configure X.29 support or X.25 Mail support. (The X.25 Mail section immediately follows the X.29 Support section. Other than selecting or not selecting X.25 Mail support, there are no configuration questions in the X.25 Mail section.)

Table 7–8 Configuration Information: X.29 Support

Information required	Form in which it is required	Where to find information	Default value or setting
X.29 Network User Identity	Octet string	You supply	–
DTE Class for outgoing X.29 calls	An existing DTE class name	You supply	–

Table 7–9 lists the information you need to complete the Applications section of the configuration program.

Table 7–9 Configuration Information: Applications

Information required	Form in which it is required	Where to find information	Default value or setting
Name	Max 20 characters	You supply	APPLICATION_ <i>n</i>
Type	X.25 or X.29	You supply	X.25
Command file [to start application]	OpenVMS full filename Max 128 characters	You supply	–
Username [for application]	OpenVMS username Max 12 characters	You supply	–
Template†	Max 32 characters	You supply	Default
Filter names‡	Max 20 chars	You supply	FILTER_ <i>n</i>

†If a template that has not yet been defined is entered, information about the template is requested. Details of the information required to define a template are given in Table 7–12. This prompt is only displayed for X.29 applications.

‡If a filter that has not yet been defined is entered, information about the filter is requested. Details of the information required to define a filter are given in Table 7–11.

Table 7–10 lists the information you need to complete the X.25 Relay Client section of the configuration program.

Table 7–10 Configuration Information: X.25 Relay Clients Section

Information required	Form in which it is required	Where to find information	Default value or setting
Client name	Max 32 characters	You supply	RELAY_– <i>n</i>
DTE class	Max 32 characters	You supply	–
Template	Max 32 characters	You supply	Default
Filter names‡	Max 32 characters	You supply	FILTER_– <i>n</i>

‡If a filter that has not yet been defined is entered, information about the filter is requested. Details of the information required to define a filter are given in Table 7–11.

Required Configuration Data

7.1 Overview

Table 7–11 lists the information you need to supply when you create filters in the Applications section of the configuration program.

Table 7–11 Configuration Information: Filters

Information required	Form in which it is required	Where to find information	Default value or setting
Name	Max 20 characters	You supply	FILTER_ <i>n</i>
Priority	Decimal number	You supply	1
Incoming DTE address	Max 15 digits	You supply	–
Call data mask	Hex digits	You supply	–
Call data value	Hex digits	You supply	–
DTE class	Max 32 characters	You supply	–
Sending DTE address	Max 15 digits	You supply	–
Receiving DTE address	Max 15 digits	You supply	–
Group name	Max 32 characters	You supply	–
Originally called address	Max 15 digits	You supply	–
Redirect reason	One of: 0 Unspecified 1 Busy 2 Out of order 3 Systematic	You supply	–
Called address extension mask	Hex digits	You supply	–
Called address extension value	Hex digits	You supply	–
Called NSAP	Decimal number	You supply	–

Table 7–12 lists the information you need to complete the Templates section of the configuration program.

Table 7–12 Configuration Information: Templates

Information required	Form in which it is required	Where to find information	Default value or setting
Template name	Max 32 characters	You supply	TEMPLATE- <i>n</i>
DTE class	Max 32 characters	You supply	–
Call data	Hex digits	You supply	–
Packet size	Decimal Number	You supply	–
Window size	Decimal number	You supply	–
Destination DTE address	Max 15 digits	You supply	–
Fast select option	One of: 0 Unspecified 1 Fast select 2 With response 3 No fast select	You supply	0
Reverse charging	Allow or Do not allow	You supply	Do not allow
Selected group	Max 32 characters	You supply	–
Throughput class request	A range of values, the max and min to be chosen from: 0, 75, 150, 300, 600, 1200, 2400, 4800, 9600, 19200, 48000	You supply	{0..0}
Network user identity	Octet string	You supply	–
Local facilities	Hex digits	You supply	–
Charging information	Display or Do not display	You supply	Do not display
RPOA sequence	Sequence of octet strings of 4 decimal digits	You supply	–
Local subaddress	Decimal number	You supply	–
Target address extension	NSAP Address	You supply	–
NSAP mapping	Yes or No	You supply	No
Calling address extension	NSAP Address	You supply	–
Transit delay selection	Decimal number	You supply	0
End-to-End delay	Range of decimal numbers	You supply	{0..0}
Expedited data option	One of: Use Do not use Not specified	You supply	Not specified

Required Configuration Data

7.1 Overview

Table 7–13 lists the information you need to complete the Reachable Addresses section of the configuration program.

Table 7–13 Configuration Information: Reachable Addresses

Information required	Form in which it is required	Where to find information	Default value or setting
Reachable address name	Max 32 characters	You supply	–
Address prefix	Complete or partial NSAP address, including at least the AFI	You supply	–
DTE class for outgoing calls	Max 32 characters	You supply	–
Use DTE address extensions	Yes or No	You supply	Yes
Conversion mechanism	X.121 or Manual	You supply	X.121
Destination DTE address ¹	Max 15 digits	You supply	–

¹You need to supply this value only if you have selected Manual as the conversion mechanism.

Table 7–14 lists the information you need to complete the Server–Client section of the configuration program.

Table 7–14 Configuration Information: X.25 Server–Client Section

Information required	Form in which it is required	Where to find information	Default value or setting
Client name	Max 32 characters	You supply	CLIENT- <i>n</i>
Service nodes	Max 32 characters	You supply	–
Filter names‡	Max 32 characters	You supply	FILTER- <i>n</i>
Rights identifiers	Max 32 characters	You supply	–

‡If a filter that has not yet been defined is entered, information about the filter is requested. Details of the information required to define a filter are given in Table 7–11.

Required Configuration Data 7.1 Overview

Table 7–15 lists the information you need to complete the Incoming Security: Applications section of the configuration program.

Table 7–15 Configuration Information: Incoming Security—Applications

Information required	Form in which it is required	Where to find information	Default value or setting
Select an application	–	List supplied by program	–
DTE addresses of systems that can call this application only if they pay for the call	Max 15 digits. Can be a full DTE address or a Remote Address Prefix (RAP) ²	You supply	–
DTE addresses of systems that can call this application irrespective of who pays for the call	Max 15 digits. Can be a full DTE address or a Remote Address Prefix (RAP)	You supply	–
DTE addresses of systems that cannot call this application	Max 15 digits. Can be a full DTE address or a Remote Address Prefix (RAP)	You supply	* ¹

¹The wildcard character (*) means all unspecified DTEs. Even if you enter specific DTEs that are to have No Access, by default all other unspecified DTEs will also have No Access. However, if you enter the wildcard character to stand for DTEs that have Remote Charge or All Access, there will be no default for this value, and the only DTEs that will not be allowed access are those that you specify explicitly.

²The Remote Address Prefix (RAP) is used to match against the remote DTE address in incoming and outgoing calls.

Required Configuration Data

7.1 Overview

Table 7–16 lists the information you need to complete the Incoming Security: Filters section of the configuration program.

Table 7–16 Configuration Information: Incoming Security—Filters

Information required	Form in which it is required	Where to find information	Default value or setting
Select a filter	–	You supply	–
DTE addresses of systems that can call processes using this filter only if they pay for the call	Max 15 digits. Can be a full DTE address or a Remote Address Prefix (RAP) ²	You supply	–
DTE addresses of systems that can call processes using this filter irrespective of who pays for the call	Max 15 digits. Can be a full DTE address or a Remote Address Prefix (RAP)	You supply	–
DTE addresses of systems that cannot call processes using this filter	Max 15 digits. Can be a full DTE address or a Remote Address Prefix (RAP)	You supply	*1

¹The wildcard character (*) means all unspecified DTEs. Even if you enter specific DTEs that are to have no access, by default all other unspecified DTEs will also have no access. However, if you enter the wildcard character to stand for DTEs that have Remote Charge or all access, there will be no default for this value, and the only DTEs that will not be allowed access are those that you specify explicitly.

²The Remote Address Prefix (RAP) is used to match against the remote DTE address in incoming and outgoing calls.

Required Configuration Data 7.1 Overview

Table 7–17 lists the information you need to complete the Incoming Security: X.25 Relay–Clients section of the configuration program.

Table 7–17 Configuration Information: Incoming Security—X.25 Relay–Clients

Information required	Form in which it is required	Where to find information	Default value or setting
Select a Relay–Client	–	You supply	–
DTE addresses of systems that can call processes using this X.25 Relay–Client only if they pay for the call	Max 15 digits. Can be a full DTE address or a Remote Address Prefix(RAP) ²	You supply	–
DTE addresses of systems that can call processes using this X.25 Relay–Client irrespective of who pays for the call	Max 15 digits. Can be a full DTE address or a Remote Address Prefix (RAP)	You supply	–
DTE addresses of systems that cannot call processes using this X.25 Relay–Client	Max 15 digits. Can be a full DTE address or a Remote Address Prefix (RAP)	You supply	* ¹

¹The wildcard character (*) means all unspecified DTEs. Even if you enter specific DTEs that are to have no access, by default all other unspecified DTEs will also have no access. However, if you enter the wildcard character to stand for DTEs that have Remote Charge or all access, there will be no default for this value, and the only DTEs that will not be allowed access are those that you specify explicitly.

²The Remote Address Prefix (RAP) is used to match against the remote DTE address in incoming and outgoing calls.

Required Configuration Data

7.1 Overview

Table 7–18 lists the information you need to complete the Outgoing Security: Local Processes section of the configuration program.

Table 7–18 Configuration Information: Outgoing Security—Local Processes

Information required	Form in which it is required	Where to find information	Default value or setting
Rights Identifier ¹	–	You supply	–
DTE addresses of systems that can be called by processes with this rights identifier only if they pay for the call	Max 15 digits. Can be a full DTE address or a Remote Address Prefix (RAP) ²	You supply	–
DTE addresses of systems that can be called by processes with this rights identifier irrespective of who pays for the call	Max 15 digits. Can be a full DTE address or a Remote Address Prefix (RAP)	You supply	–
Names of PVCs that can be used by processes with this rights identifier ⁴	Name of existing PVC	You supply	–
DTE addresses of systems that cannot be called by processes with this rights identifier	Max 15 digits. Can be a full DTE address or a Remote Address Prefix (RAP)	You supply	* ³
Names of PVCs that cannot be used by processes with this rights identifier ⁴	Name of existing PVC	You supply	–

¹Specify the group to which the local process belongs.

²The Remote Address Prefix (RAP) is used to match against the remote DTE address in incoming and outgoing calls.

³The wildcard character (*) means all unspecified DTEs. Even if you enter specific DTEs that are to have No Access, by default all other unspecified DTEs will also have No Access. However, if you enter the wildcard character to stand for DTEs that have Remote Charge or All access, there will be no default for this value, and the only DTEs that will not be allowed access are those that you specify explicitly.

⁴You will be asked for this information only if you have configured PVCs.

Flowcharts and Associated Notes

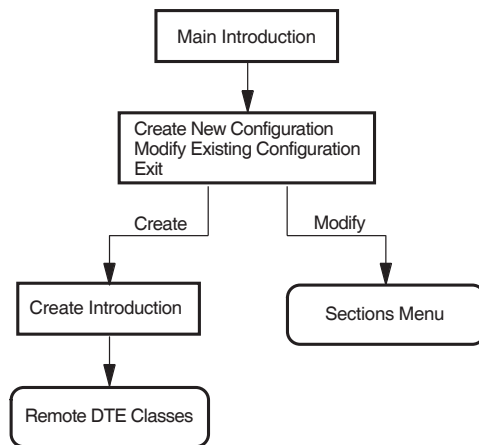
This chapter contains flowcharts illustrating each section in the **ADVANCED** mode of the configuration program, together with notes about each section.

8.1 Introduction

Figure 8–1 illustrates the Introduction Section.

The Introduction Section provides you with options to create a new X.25 for OpenVMS configuration, modify an existing configuration, or exit from the program. These options are detailed more fully in subsections 8.1.1, 8.1.2, and 8.1.3 respectively.

Figure 8–1 Introduction



8.1.1 Creating a New Configuration

To create a new configuration:

1. Select the “Create a new configuration script” option. (You don’t need to perform this step if this is a new installation.)

The configuration program displays the **CREATE** Introduction Section. This section displays the main connection sections and the type of X.25 system you will create if you select that section. The choices are:

- Remote DTE Classes (for X.25 Client through an X.25 Connector system)
- Lines and DTEs (for X.25 over a wide area network)
- LLC2 (for X.25 over a local area network)
- XOT (for X.25 over TCP/IP)

Flowcharts and Associated Notes

8.1 Introduction

The configuration program then displays each section in the same order as the list. To create a usable configuration, you must complete **at least one** of the specified sections.

You do not have to complete every section, only those that present functions that you want to configure. For example, if you do not want to configure your system as a Client, you do not have to complete the Remote DTE Classes Section. When the current section has been completed, an Options Menu relevant to that section is displayed. The Options Menu gives you the opportunity to amend the current section or to move on to another section.

2. Complete the current section or select to move on to the next section.
3. Repeat step 2 for each of the sections. To create a configuration script you **must** complete the NCL Script Section.

8.1.2 Modifying an Existing Configuration

To modify an existing configuration:

1. Select the “Modify an existing configuration script” option.

The Sections Menu is displayed, which presents the sections that can be modified. These are:

1. Remote DTE Classes
2. Lines and DTEs
3. LLC2 DTEs
4. XOT DTEs
5. Session Connections
6. PVCs
7. Groups
8. X.29 Support
9. X.25 Mail
10. Applications
11. X.25 Relay–Clients
12. Filters
13. Templates
14. Reachable Addresses
15. Server–Clients
16. Security
 - Incoming Security: Applications
 - Incoming Security: Filters
 - Incoming Security: X.25 Relay–Clients
 - Outgoing Security: Local Processes
17. NCL Script

Note that the full list of sections is determined by which configuration sections have been created. The above list indicates the sections displayed if all sections have been created. Initially, one of the sections is highlighted to indicate that it is the current section.

2. To configure a section, use the up-arrow and down-arrow keys to highlight the required section (and hence make it current) and then press `Return`.

The Options Menu for the specified section is displayed and allows you to modify the existing data.

For further details on modifying an existing configuration and facts that you should be aware of before making any modifications, refer to Chapter 10.

8.1.3 Exiting the Configuration Program

To leave the configuration program, select the option “Exit this program” from the Main Menu.

Full details of quitting and leaving the configuration program are provided in Chapter 2.

Flowcharts and Associated Notes

8.2 Remote DTE Classes

8.2 Remote DTE Classes

Figure 8–2 illustrates the Remote DTE Classes Section.

This section allows you to define remote DTE classes, in which you specify the X.25 Connector systems that your Client system will use in making a call.

Remote DTE Class Name

The name you specify for a remote DTE class on an X.25 Client system must match the name of a local DTE class on the X.25 Connector system you specify in the Connector Node Names list.

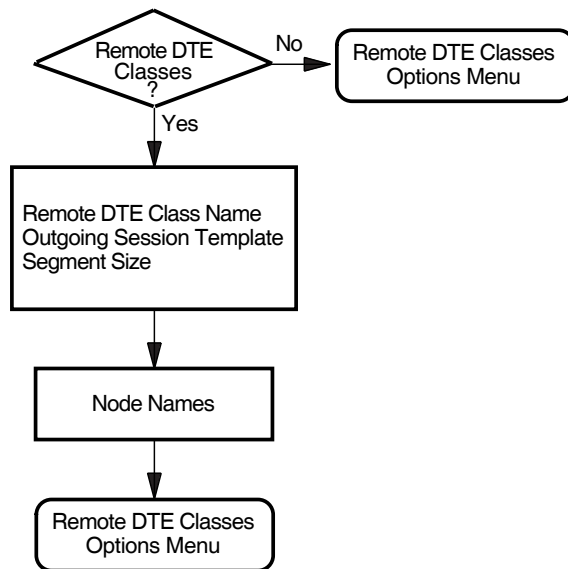
Outgoing Session Template

Specify the name of an OSI TRANSPORT TEMPLATE entity on the X.25 Client system that the Client should use when establishing the DECnet–Plus connection to the X.25 Connector system. If the template doesn't exist, you must create the template using the DECnet–Plus configuration program.

Connector Node Names

You must specify the name of at least one X.25 Connector node hosting the local DTE class referenced by this remote DTE class.

Figure 8–2 Remote DTE Classes



8.3 Lines and DTEs

Figure 8–3 illustrates the Lines and DTEs Section.

This section allows you to configure synchronous lines and associated DTEs. You must set up **at least one** synchronous line and associated DTE, unless you intend to set up LLC2 or XOT DTEs on your system.

Synchronous Line

This screen displays the available synchronous lines. Only lines configured when the synchronous devices were installed are presented. Select a line for the specified DTE. You will have the opportunity to set up further lines later.

Line Speed

The available line speeds are displayed. Select a speed for the line.

Link Name, DTE Name, X.25 Address, and Inbound DTE Class

You will be required to provide a unique link name, DTE name, and X.25 DTE address to identify the DTE to be associated with the line you select.

Additionally, before completing this section the configuration program will prompt you to enter the Inbound DTE Class with which the DTE is associated. All calls received on the DTE will be associated with the indicated DTE class.

Profile Name

You must provide the name of the profile to be used by the DTE you specified. Information on frame and packet control parameters will be derived from the profile you specify.

If you want to set up a point-to-point link then the ISO8208 profile should be specified.

Logical Channel Ranges

Logical channel numbers are required to identify logical links between your system and the PSDN for both incoming and outgoing calls. See Section 5.2 for more detailed information about the required syntax.

If you intend to configure any PVCs, select Logical Channel Ranges for the SVCs that leave enough channels free for the required PVCs.

Extended Packet Sequence Numbering

If the profile you have selected supports extended packet sequence numbering, you will be prompted whether you want to use this facility.

Packet Level Negotiation

If the profile you have selected supports packet level negotiation, you will be prompted whether to use this facility. If you select to use the facility, you will be prompted to specify the minimum, maximum, and default packet size to be used, and to specify the level 3 minimum, maximum, and default window size. If you select not to use the facility, you will be prompted to enter the packet size and level 3 window size to be used.

Extended Frame Sequence Numbering

If the profile you have selected supports extended frame sequence numbering, you will be prompted whether you want to use this facility.

Flowcharts and Associated Notes

8.3 Lines and DTEs

Link Interface Type

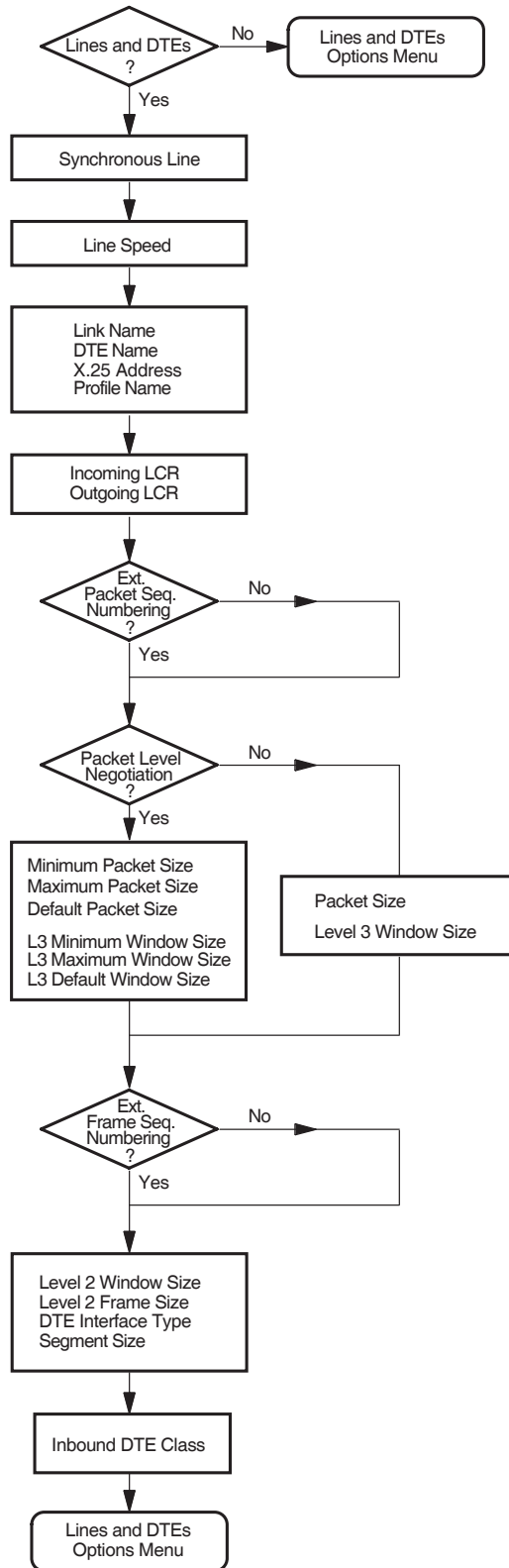
If the DTE is connected to a PSDN, you should select DTE for the interface type.

If the DTE is to use a point-to-point protocol (that is, ISO8208), you must set the interface type correctly for both DTEs. Two DTEs using a point-to-point protocol can communicate only if one is set to DCE, and the other is set to DTE.

Segment Size

The call will be charged based on the number of segments sent. Thus, this value must be provided if you want to generate accounting records. Note that the value must match the value set in the network.

Figure 8-3 Lines and DTEs



Flowcharts and Associated Notes

8.4 LLC2 DTEs

8.4 LLC2 DTEs

Figure 8–4 illustrates the LLC2 DTEs Section.

This section allows you to configure LLC2 DTEs.

LAN Device Name

The LAN devices available on your system are displayed. Choose one to associate with your LLC2 SAP DTE. You will have the opportunity to set up further LLC2 DTEs later, using either a different LAN device (if you have more than one) or the same one.

LLC2 DTE Name, LLC2 DTE Address, Local LSAP Address, and Inbound DTE Class

You must provide a unique name and address to identify the LLC2 DTE to be associated with the link you select. In addition, you must specify the Link Service Access Point (LSAP) for the specified LLC2 DTE.

Additionally, before completing this section the configuration program will prompt you to enter the Inbound DTE Class with which the DTE is associated. All calls received on the DTE will be associated with the indicated DTE class.

Level 3 Profile

You must provide the name of the profile to be used by the LLC2 DTE you specified. For most LANs, the profile used is ISO8881. Information on frame and packet control parameters will be derived from the profile you specify.

Logical Channel Ranges

Logical channel numbers are required to identify logical links between the LLC2 DTEs for both incoming and outgoing calls. See Section 5.2 for more detailed information about the required syntax.

If you intend to configure any PVCs, select Logical Channel Ranges for the SVCs that leave enough channels free for the required PVCs.

Remote System Parameters

You must provide the unique Media Access Control (MAC) address of the remote system and the Link Service Access Point (LSAP) for the remote LLC2 DTE.

Link Interface Type

For two systems to communicate using the LLC2 protocol, one must be configured as a DCE and one as a DTE. You must determine the interface type being used by the remote system and the select the appropriate type for the local system. If the interface type being used by the remote system is unknown, set the interface type to Negotiated.

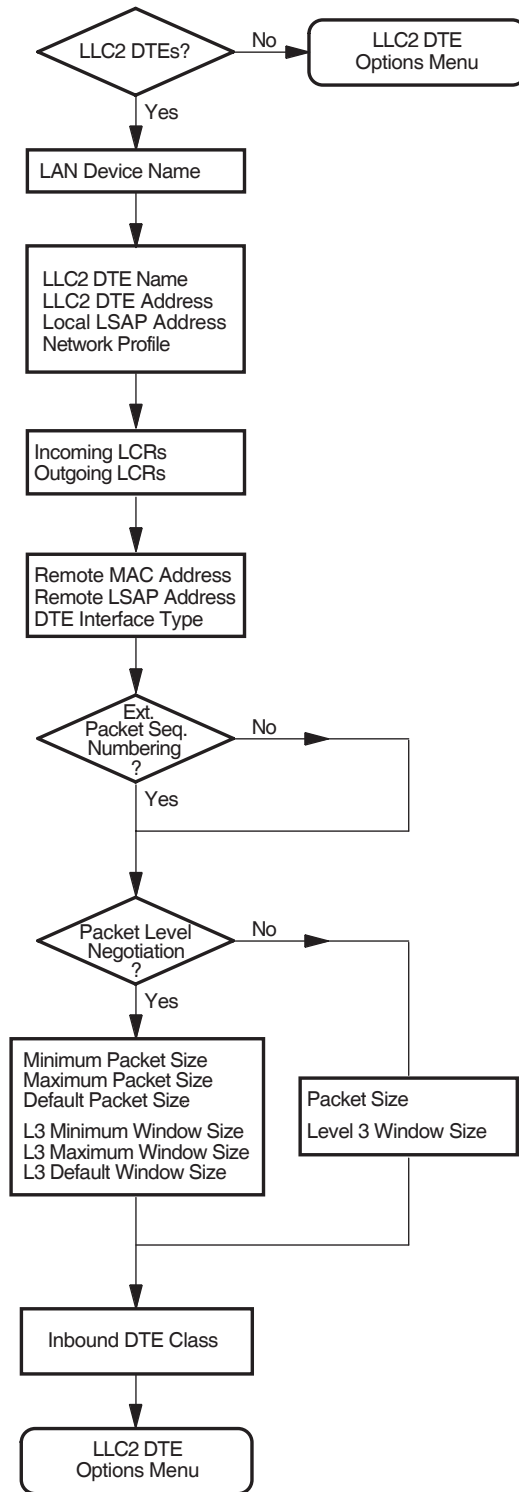
Extended Packet Sequence Numbering

If the profile you have selected supports extended packet sequence numbering, you will be prompted whether you want to use this facility.

Packet Level Negotiation

If the profile you have selected supports packet level negotiation, you will be prompted whether to use this facility. If you select to use the facility, you will be prompted to specify the minimum, maximum, and default packet size to be used, and to specify the level 3 minimum, maximum, and default window size. If you select not to use the facility, you will be prompted to enter the packet size and level 3 window size to be used.

Figure 8-4 LLC2 DTEs



Flowcharts and Associated Notes

8.5 XOT DTEs

8.5 XOT DTEs

Figure 8–5 illustrates the XOT DTEs Section.

This section allows you to configure XOT DTEs.

Local TCP/IP Address

Choose an IP address by which the local system is known and which you want to associate with your XOT DTE's SAP. You will have the opportunity to set up further XOT DTEs later, using either a different IP addresses (if you have more than one) or the same one. Generally, you should choose the address 0.0.0.0. This value allows XOT to use any available IP address. Use a real IP address when a system has multiple TCP/IP interfaces. In these systems, this parameter allows you to specify which interface to use for the DTE.

Note

By default, XOT's single SAP entity is configured to listen on any available IP interface (as specified by the local IP address 0.0.0.0). You can create multiple SAP entities, each listening on a unique IP address. However, if you create more than one SAP entity, you must assign each entity a unique IP address; no SAP entity can use the 0.0.0.0 address.

XOT DTE Name, XOT DTE Address, Local RFC1613 Port Number, and Inbound DTE Class

You must provide a unique name and address to identify the XOT DTE to be associated with the link you select. In addition, you must specify the local RFC1613 port number for the specified XOT DTE SAP. HP recommends that you use the value 1998 as specified in RFC 1613.

Additionally, before completing this section the configuration program will prompt you to enter the Inbound DTE Class with which the DTE is associated. All calls received on the DTE will be associated with the indicated DTE class.

Level 3 Profile

You must provide the name of the profile to be used by the XOT DTE you specified. You must specify ISO8881. Information on frame and packet control parameters will be derived from the profile you specify.

Logical Channel Ranges

Logical channel numbers are required to identify logical links between the XOT DTEs for both incoming and outgoing calls. See Section 5.2 for more detailed information about the required syntax.

If you intend to configure any PVCs, select Logical Channel Ranges for the SVCs that leave enough channels free for the required PVCs.

Remote System Parameters

You must provide the unique IP address of the remote system and the RFC 1613 TCP port number of the remote system for the XOT DTE SAP link.

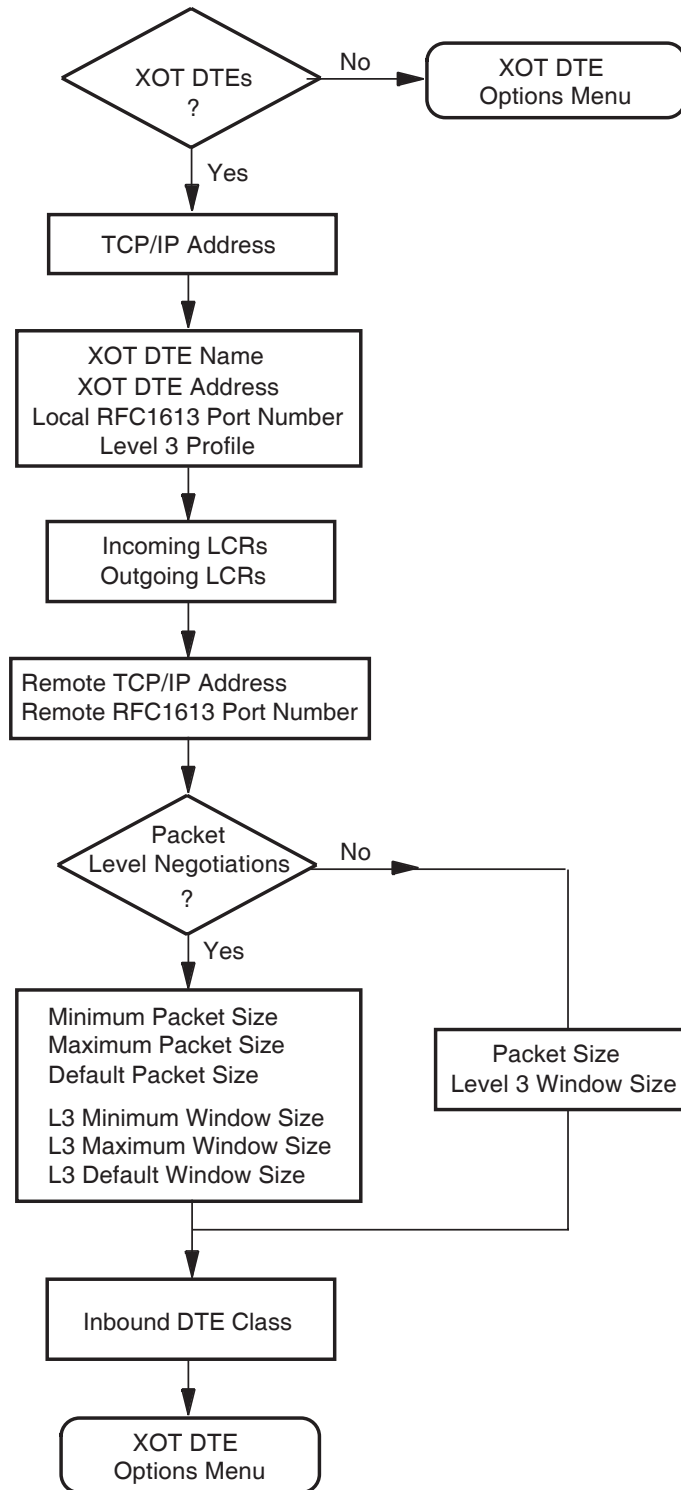
Packet Level Negotiation

If the profile you have selected supports packet level negotiation, you will be prompted whether to use this facility. If you select to use the facility, you will be prompted to specify the minimum, maximum, and default packet size to be used, and to specify the level 3 minimum, maximum, and default window size. If you select not to use the facility, you will be prompted to enter the packet size and level 3 window size to be used.

Flowcharts and Associated Notes

8.5 XOT DTEs

Figure 8-5 XOT DTEs



TN9001-00

8.6 Session Connections

This section is available only if the Remote DTE Classes Section has been completed.

This section allows you to specify the maximum number of session control connections (virtual circuits) supported by the X.25 for OpenVMS interface. A value **must** be entered for this parameter. The default value is 10.

The number specified is used to calculate process parameters for the X.25 Session Control and X.25 Application processes. In addition, values for the following system parameters will be calculated and defined in `SYS$SYSTEM:MODPARAMS.DAT`:

```
ADD_CHANNELCNT  
ADD_NPAGE_DYN  
ADD_NPAGE_VIR
```

Note

Whenever you change the number of session control connections, you must run the Autogen utility and reboot your system after configuring the system. For example, these actions can be performed by issuing the command:

```
@SYS$UPDATE:AUTOGEN SAVPARAMS REBOOT FEEDBACK
```

Flowcharts and Associated Notes

8.7 PVCs

8.7 PVCs

This section is available only if the Lines and DTEs Section, LLC2 DTEs Section, or XOT DTEs Section has been completed.

Figure 8–6 illustrates the PVCs Section.

This section allows you to set up permanent virtual circuits between the host system and specified DTEs.

DTE Name

Each of the DTEs created in the Lines and DTEs Section, LLC2 DTEs Section, and XOT DTEs Section are listed. Select one from the list.

PVC Name

Enter the name of the PVC.

For each PVC you name, you **must** define values for the channel number, packet size, and window size.

Channel Number

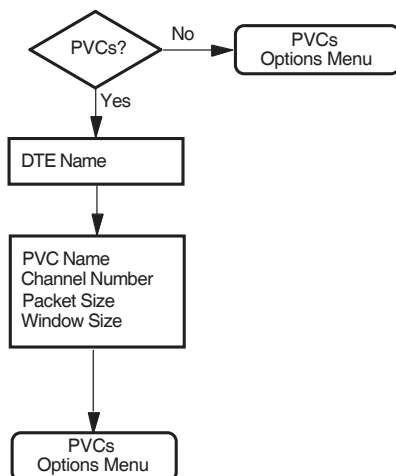
The channel number entered **must not** be within the range of incoming and outgoing logical channel numbers specified in the Lines and DTEs Section, LLC2 DTEs Section, or XOT DTEs Section. The logical channel number range currently defined for PVCs is displayed beneath the DTE name at the top of the screen.

The channel number should be unique amongst PVCs associated with the specified DTE.

Packet Size and Window Size

The default values for the packet size and window size are taken from the profile specified in the Line and DTEs Section, LLC2 DTEs Section, or XOT DTEs Section. The default values can be overridden if required.

Figure 8–6 PVCs



XOT PVCs

For PVC circuits to interoperate correctly over a XOT DTE, it is necessary to specify additional information in the NCL configuration for the PVC. Each XOT PVC must have a REMOTE PVC NAME specified via NCL, via the command:

```
SET X25 PROTOCOL DTE dte-name PVC pvc-name REMOTE PVC N
```

The name should match the name configured on the remote system. The X.25 Configurator does not support this attribute when creating a PVC, so the appropriate NCL command should be placed in the file `SYS$STARTUP:X25$EXTRA_SET.NCL`.

Flowcharts and Associated Notes

8.8 Groups

8.8 Groups

This section is available only if the Lines and DTEs Section, LLC2 DTEs Section, or XOT DTEs Section has been completed.

Figure 8–7 illustrates the Groups Section.

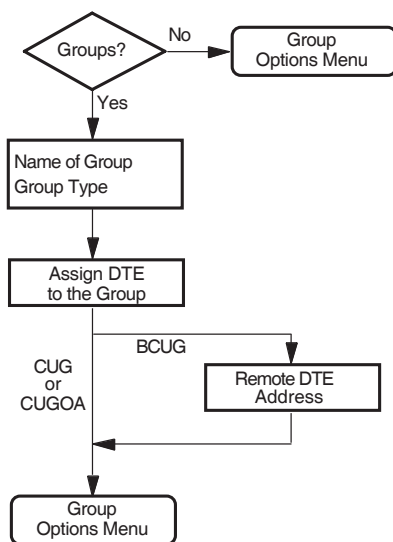
This section allows you to assign any of the DTEs you have created to Closed User Groups (CUGs), Bilateral Closed User Groups (BCUGs), or Closed User Groups with Outgoing Access (CUGOAs).

All the DTEs you have created are listed.

To place a DTE in a group, enter the PSDN–assigned CUG, BCUG, or CUGOA number beside that DTE. The same number can be assigned to more than one DTE.

To remove a DTE from a CUG or BCUG, delete the CUG or BCUG number associated with that DTE.

Figure 8–7 Groups



8.9 X.29 Support

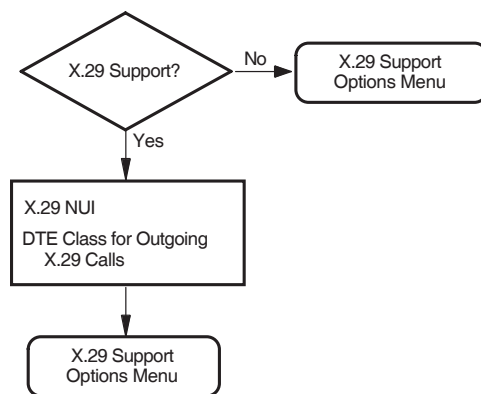
Figure 8–8 illustrates the X.29 Support Section.

This section allows you to provide support for X.29 communications.

You are prompted to provide the network user identity (NUI) to identify the party that is to pay for each outgoing call, and the DTE class to be used for the outgoing X.29 calls.

Note that if you answer “No” to configuring X.29 Support, no further questions will be displayed. Instead, the X.29 Support Options Menu is displayed from which you can move on to the next section.

Figure 8–8 X.29 Support



Flowcharts and Associated Notes

8.10 X.25 Mail

8.10 X.25 Mail

This section allows you to provide support for X.25 Mail.

X.25 for OpenVMS uses an OpenVMS account (X25\$MAIL) in which X.25 Mail runs when an incoming X.25 Mail call is received by your system. If the required account does not exist, it will be created before you exit the configuration program.

The account created is a network account having the following attributes:

- TMPMBX privilege
- PSI\$X25_USER rights identifier

Note that if you answer “No” to configuring X.25 Mail, no account is created. Instead, the X.25 Mail Options Menu is displayed from which you can move on to the next Section.

8.11 Applications

Figure 8–9 illustrates the Applications Section.

This section allows you to specify any applications running on your system.

Application Name, Application Type, Command File, and Username

The name you give an application is used to generate a rights identifier in the file `SYSS$STARTUP:X25$SECURITY_IDENTIFIERS.COM`. For example, if you enter the application name `TEST$1`, and subsequently specify (in the Incoming Security: Applications Section) that one or more remote DTEs should be given an access level of `REMOTE CHARGE`, the rights identifier created will be `APPL_TEST$1_REMOTE`. Similarly, if you specify that one or more remote DTEs should be given an access level of `ALL`, the rights identifier created will be `APPL_TEST$1_ALL`.

The use of the application name to create rights identifiers places the following restrictions on application names:

- They must only consist of alphanumeric characters, “\$”, and “_”.
- They must contain at least one non-numeric character.
- They cannot be more than 20 characters in length.

In addition to the application’s name, you must specify the type of the application. The two possible types are:

- X.25
- X.29

Finally, you must provide the name of the command file that starts the application and a user name.

Application Templates

For an X.29 application, you can specify the name of a template. If you specify a name of a template that has not yet been defined, you will be presented with two further screens on which you can enter details specific to the template specified. If you do not specify a template, the Default template will be used.

Note

You cannot specify a template for an X.25 application. The Application Template prompt is not displayed if you specify the application type as X.25.

Application Filters

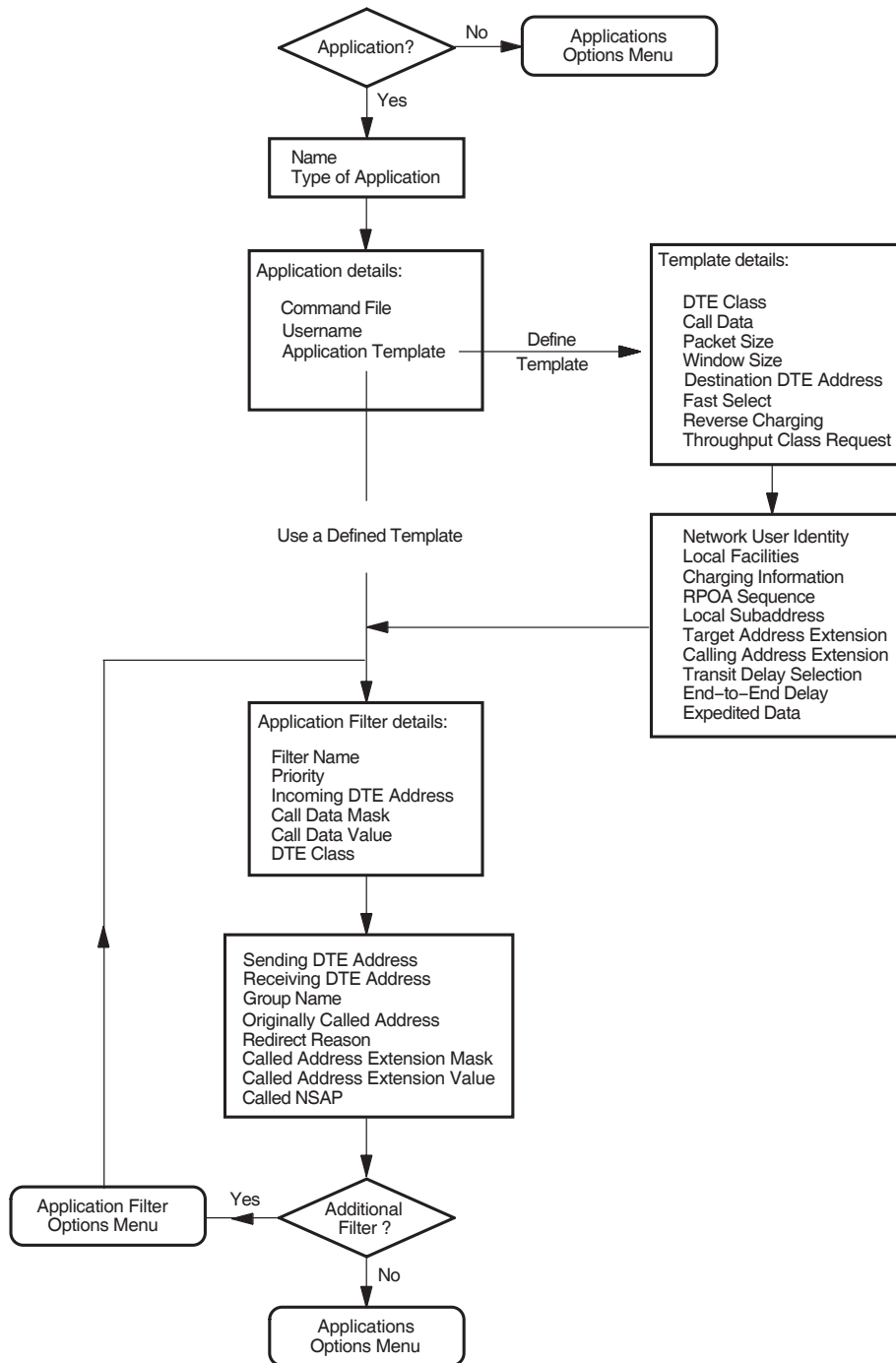
You must create at least one unique filter for each application. The Filter Name and Priority fields are mandatory; the other fields are optional. Note that you can set attributes to “unspecified” by leaving the appropriate field blank.

If you want to add a further filter to this application, answer “Yes” to the prompt “Do you want to associate another filter with the same application?”.

Flowcharts and Associated Notes

8.11 Applications

Figure 8–9 Applications



8.12 X.25 Relay–Clients Section

Figure 8–10 illustrates the X.25 Relay–Clients Section.

The X.25 Relay–Clients Section allows you to set up call relaying from one DTE to another.

Client Name

You must specify a unique name for each Relay–Client. The name you give a Relay–Client is used to generate a rights identifier in the file `SYSS$STARTUP:X25$SECURITY_IDENTIFIERS.COM`. For example, if you enter the Relay–Client name `TEST$1`, and subsequently specify (in the Incoming Security: Relay–Clients Section) that one or more remote DTEs should be given an access level of `REMOTE CHARGE`, the rights identifier created will be `RELAY_TEST$1_REMOTE`. Similarly, if you specify that one or more remote DTEs should be given an access level of `ALL`, the rights identifier created will be `RELAY_TEST$1_ALL`.

The use of the Relay–Client name to create rights identifiers places the following restrictions on Relay–Client names:

- They must only consist of alphanumeric characters, “\$”, and “_”. The configuration program relaxes this restriction by converting any hyphens to underscores when creating the rights identifier.
- They must contain at least one non–numeric character.
- They cannot be more than 20 characters in length.

DTE Class

You must specify the DTE class that the Relay–Client should use to make the outgoing call as part of the relay function.

In order for a call to be forwarded on a Relay connection, the DTE that received the inbound call must be configured to be in DCE mode.

Template

You must specify one template for each X.25 Relay–Client. If you specify a template other than the `Default` template, the specified template will be created and its attributes amended if required. The Relay–Client uses the template when making the outgoing call as part of the relay function.

X.25 Relay–Clients may share templates, that is, you can specify the same template for more than one X.25 Relay–Client.

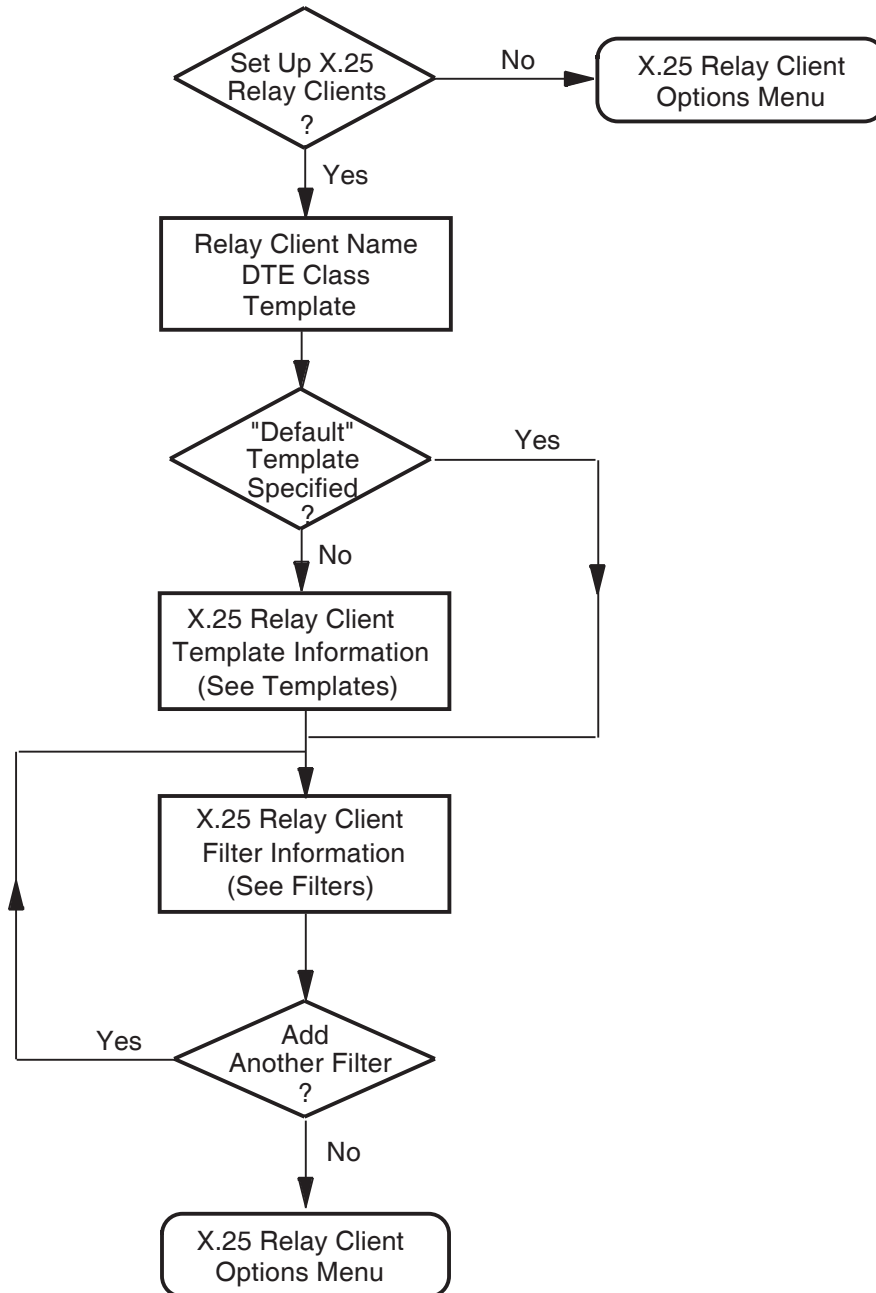
Filters

You must specify **at least one** unique filter for each X.25 Relay–Client. The `Filter Name` and `Priority` fields are mandatory; all other fields are optional. Incoming calls are handled by an X.25 Relay–Client only if they match one of that client’s filters.

When creating an X.25 Relay–Client you can create a number of filters. To add, modify, or delete filters associated with an existing X.25 Relay–Client, select the “Modify” option on the X.25 Relay–Client Options Menu.

Flowcharts and Associated Notes
8.12 X.25 Relay-Clients Section

Figure 8-10 X.25 Relay-Clients



TN344-00

8.13 Filters

Figure 8–11 illustrates the Filters Section.

This section allows you to create additional filters to screen incoming calls. The Filter Name and Priority fields are mandatory.

Note that you can set attributes to “unspecified” by leaving the appropriate field blank.

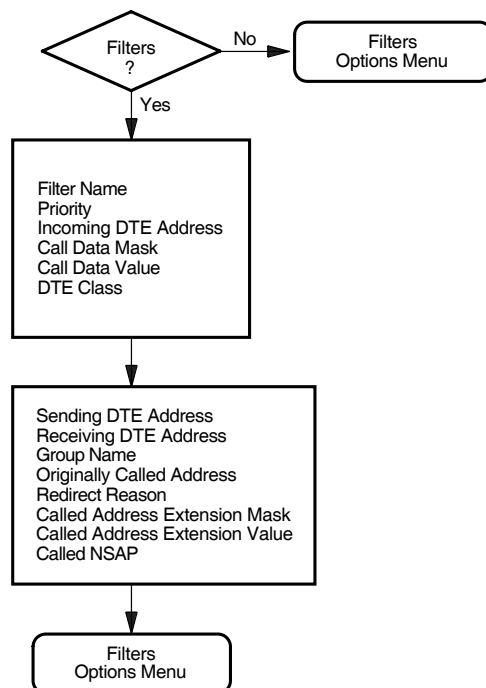
Filter Names

The name you give a filter is used to generate a rights identifier in the file `SYSS$STARTUP:X25$SECURITY_IDENTIFIERS.COM`. For example, if you enter the filter name `TEST$1`, and subsequently specify (in the Incoming Security: Filters Section) that one or more remote DTEs should be given an access level of `REMOTE CHARGE`, the rights identifier created will be `FILTER_TEST$1_REMOTE`. Similarly, if you specify that one or more remote DTEs should be given an access level of `ALL`, the rights identifier created will be `FILTER_TEST$1_ALL`.

The use of the filter name to create rights identifiers places the following restrictions on filter names:

- They must only consist of alphanumeric characters, “\$”, and “_”.
- They must contain at least one non-numeric character.
- They cannot be more than 20 characters in length.

Figure 8–11 Filters



Flowcharts and Associated Notes

8.14 Templates

8.14 Templates

Figure 8–12 illustrates the Templates Section.

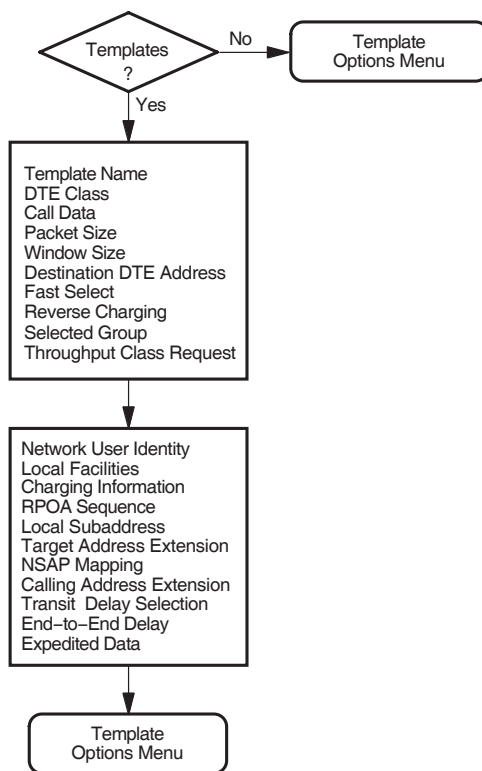
The Default and OSI Transport templates are set up automatically. The characteristic values of these templates are given in Appendix D.

This section allows you to create additional templates with which to make outgoing calls.

Note that you can set attributes to “unspecified” by leaving the appropriate field blank.

The Template Name field is the only mandatory field.

Figure 8–12 Templates



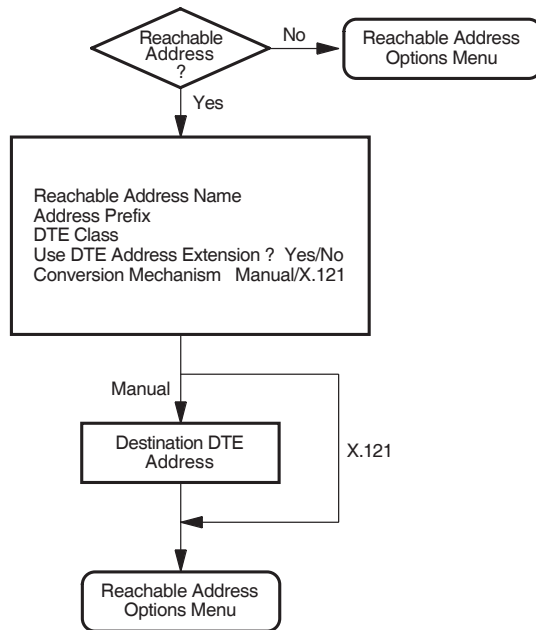
8.15 Reachable Addresses

Figure 8–13 illustrates the Reachable Addresses Section.

This section allows you to convert NSAP addresses to DTE addresses.

Choose either “X.121” or “Manual” for the mechanism by which the destination DTE address is supplied.

Figure 8–13 Reachable Addresses



Flowcharts and Associated Notes

8.16 X.25 Server–Clients Section

8.16 X.25 Server–Clients Section

Figure 8–14 illustrates the X.25 Server–Clients Section.

The X.25 Server–Clients Section allows you to set up a number of X.25 Server–Clients that represent the server’s Client systems.

You must specify at least one service node and at least one filter for **each** X.25 Server–Client. Incoming calls are handled by an X.25 Server–Client only if they match one of that Server–Client’s filters. The X.25 Server–Client then uses the service node information to contact the Client system.

Service Node

You must specify at least one service node for each X.25 Server–Client.

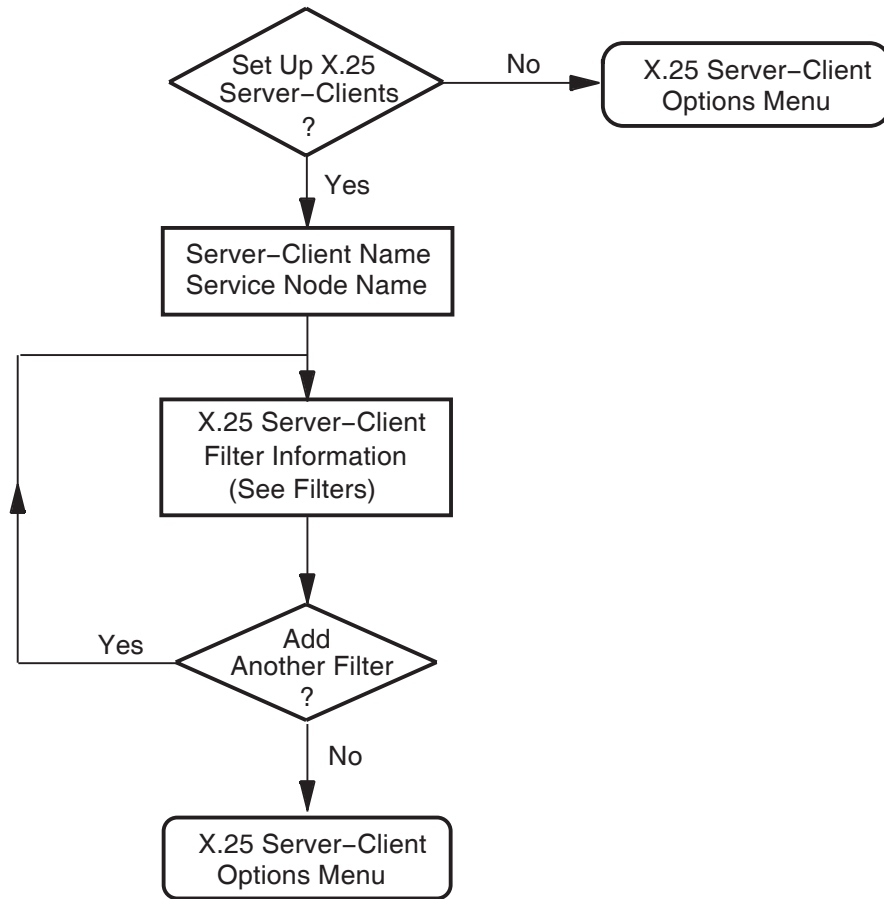
When creating an X.25 Server–Client you can include a number of service nodes. To add, modify, or delete service nodes associated with an existing X.25 Server–Client, select the “Modify” option on the X.25 Server–Client Options Menu.

Filters

You must specify at least one unique filter for each X.25 Server–Client. The Filter Name and Priority fields are mandatory; all other fields are optional.

When creating an X.25 Server–Client, you can create a number of filters. To add, modify, or delete filters associated with an existing X.25 Server–Client, select the “Modify” option on the X.25 Server–Client Options Menu.

Figure 8-14 X.25 Server-Clients



TN9002-00

Flowcharts and Associated Notes

8.17 Security

8.17 Security

This section allows you to specify the type of security to be used on your system.

Caution

HP **strongly recommends** that you set up both incoming and outgoing security to protect your system from unauthorized use.

You can choose one of the following options:

- **Create or Modify X.25 Security**

This option allows you to define incoming security for applications and filters, and to define outgoing security for local processes. Selecting this option displays the first of the security sections.

- **Allow outgoing X.25 calls only**

This option allows all outgoing calls to be made from your system, but does not allow incoming calls. Selecting this option bypasses the incoming and outgoing security sections and displays the NCL Script Section.

- **Allow all X.25 calls**

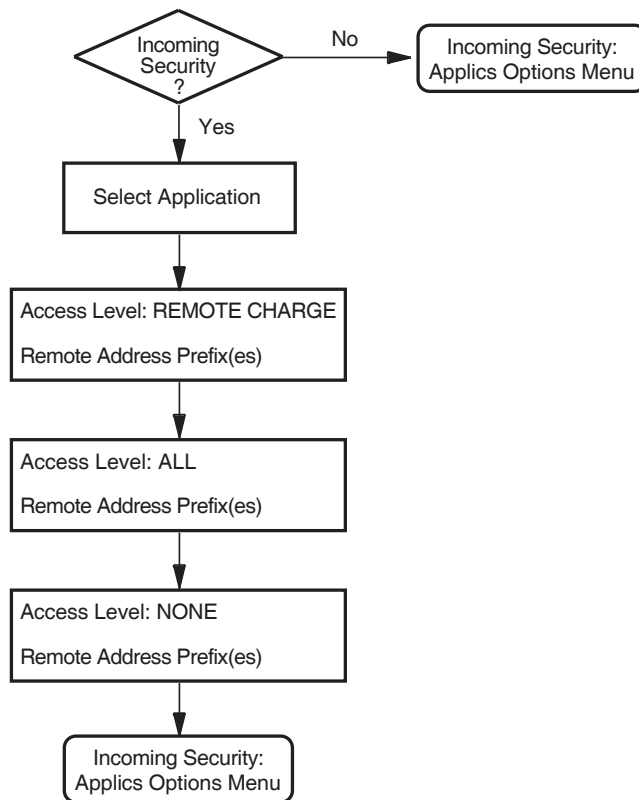
This option leaves security **open**, that is, no security is applied to incoming or outgoing calls. Selecting this option bypasses the incoming and outgoing security sections and displays the NCL Script Section.

8.18 Incoming Security: Applications

Figure 8–15 illustrates the Incoming Security: Applications Section.

This section allows you to specify the type of incoming access for each application you specified. You must complete this section if you want Applications to receive incoming calls.

Figure 8–15 Incoming Security: Applications



Flowcharts and Associated Notes

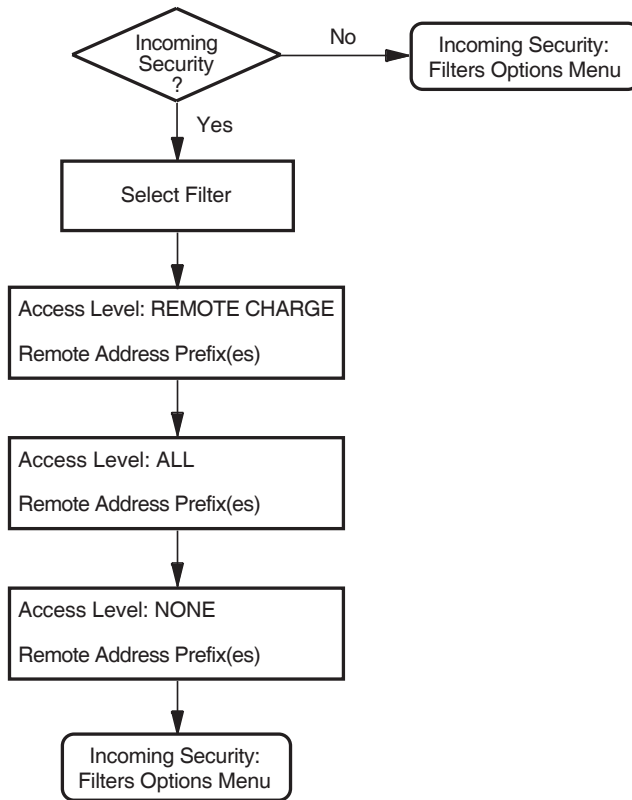
8.19 Incoming Security: Filters

8.19 Incoming Security: Filters

Figure 8–16 illustrates the Incoming Security: Filters Section.

This section allows you to specify the type of incoming access for the Filters specified. You must complete this section if you want Filters to be able to receive incoming calls.

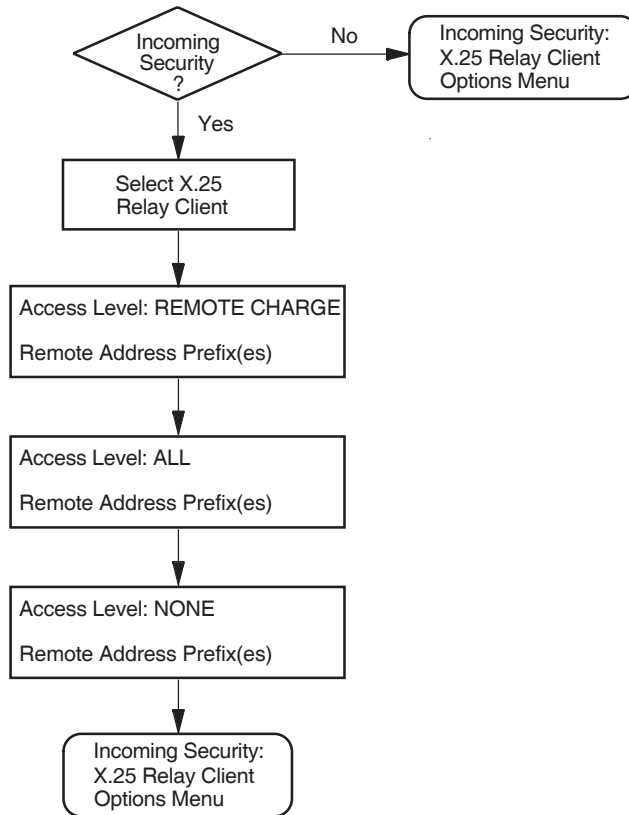
Figure 8–16 Incoming Security: Filters



8.20 Incoming Security Section: X.25 Relay–Clients

Figure 8–17 illustrates the Incoming Security Section for X.25 Relay–Clients. This section allows you to specify remote DTEs and the related type of incoming access to the specified X.25 Relay–Client.

Figure 8–17 Incoming Security: Relay Clients



TN351-00

Flowcharts and Associated Notes

8.21 Outgoing Security: Local Processes

8.21 Outgoing Security: Local Processes

Figure 8–18 illustrates the Outgoing Security: Local Processes Section.

You must complete this section if you want processes on this system to be able to make outgoing calls. Processes include X.25 applications.

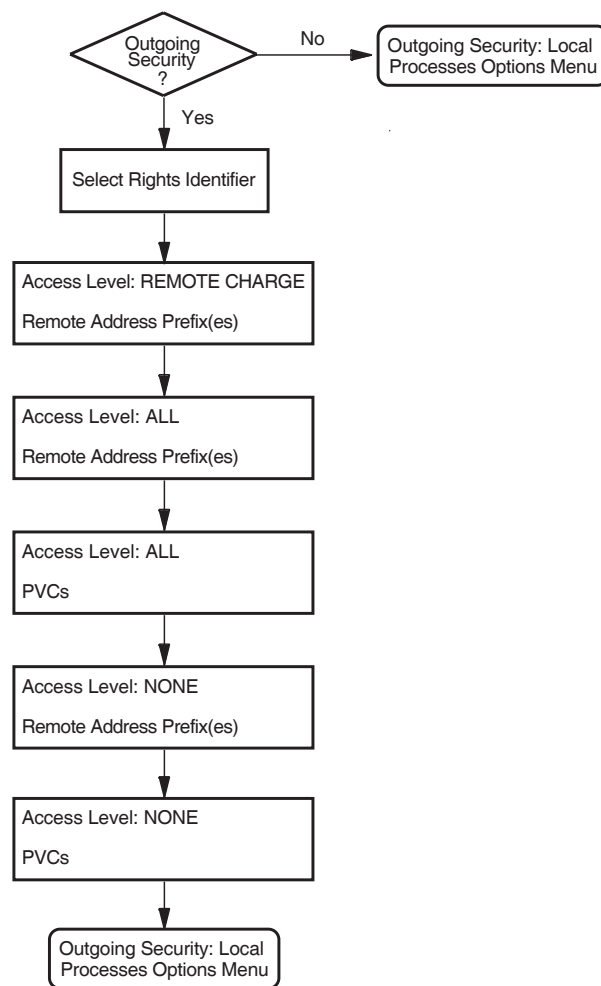
For X.25 applications, enter the name of the group to which the process belongs when prompted for the Rights Identifier.

To obtain a list of all valid rights identifiers (and hence groups) on your system, issue the following commands:

```
$ set def sys$system
$ run authorize
UAF> show /identifier *
```

If the rights identifier you enter does not exist, it will be defined before you exit the configuration program **provided that** you select to run the command procedure SYS\$SYSTEM:X25\$SECURITY_IDENTIFIERS.COM.

Figure 8–18 Outgoing Security: Local Processes



8.22 NCL Script

Figure 8–19 illustrates the NCL Script Section.

When you reach this section, you have entered sufficient information to create a working X.25 configuration. If you want to verify some of the information you have entered, or add or delete some information, then answer **No** to the question “Do you want to create an NCL script now?” You will then go back to the Sections Menu, from which you can choose the section you want to review.

When you are sure that the information you have entered is correct and complete, display the Sections Menu and select the option **Create the NCL Script**.

If the program creates the configuration file, a message is displayed which indicates the filename assigned to the file.

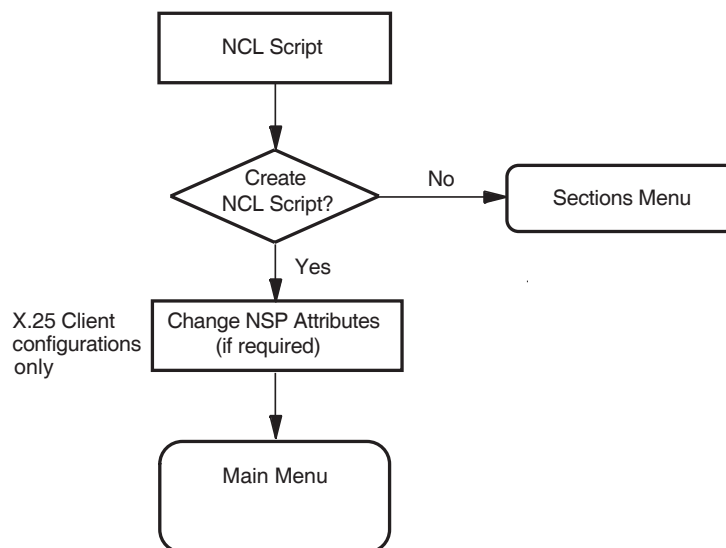
If, for some reason, the program cannot create the NCL script, error messages are displayed at the foot of the screen. If this occurs, you must correct the problem before making a further attempt to create the NCL script.

If you have configured the Remote DTE Classes Section, the configuration program now displays the number of Session Connections that can be established based on the configuration you have defined. You must ensure that the NSP attributes Maximum Transport Connections and Maximum Remote NSAPs are large enough to support this number of session connections. The default values of these attributes are 200 and 201 respectively.

If you need to change the values of the specified NSP attributes:

1. Exit the configuration program.
2. Use NCL to disable the NSP entity.
3. Make the required NSP attribute changes.
4. Enable the NSP entity.

Figure 8–19 NCL Script



Part IV

Configuration Verification and Modification

This part details how to verify the configuration created and how to modify an existing configuration. It consists of two chapters:

- Chapter 9 explains how to test your configuration using the Configuration Test Procedure (CTP).
- Chapter 10 explains how to modify an existing configuration, that is, to reconfigure a system.

Verifying the Configuration

This chapter explains how to run the Configuration Test Procedure (CTP) to verify the configuration created.

The CTP verifies that the product has been installed and configured correctly. It also verifies that the basic operations of X.25 connections, such as data transfer to and from the node, have been tested.

The CTP consists of a screen-based verification procedure. The procedure prompts for information about any DTEs or PVCs you want to test.

After installing, rebuilding, and configuring X.25, run the CTP to verify that the software installed is correctly configured on your system. You might also want to run the CTP after a system failure to be sure that users can access X.25.

9.1 Testing Your Configuration

You can run the CTP either in loopback mode (from your system through the PSDN and back to your system), or to a remote system through the PSDN.

9.1.1 Running the CTP for Loopback Testing

Use loopback testing if you want to test access to a PSDN, or if a remote system running X.25 for OpenVMS V1.0 or later is not available.

Restrictions

- Your PSDN must allow loopback from the network to your system.

9.1.2 Running the CTP for Remote System Testing

Use remote system testing if you want to test communication with a remote DTE that has X.25 for OpenVMS, V1.0 or later configured and running.

Restrictions

- The remote system must be running X.25 for OpenVMS, V1.0 or later.

9.2 Preparing to Run the CTP

This section describes the privileges and system quotas required, and the actions that must be taken, before you can run the CTP.

Privileges Required

CTP requires the following privileges:

```
NETMBX
TMPMBX
WORLD
CMKRNL
```

Verifying the Configuration

9.2 Preparing to Run the CTP

```
DETACH
SYSPRV
SECURITY
```

System Quotas Required

CTP requires the following system quotas:

```
ASTLM = 100
BIOLM = 100
BYTLM = 40000
DIOLM = 100
TQELM = 30
```

Rights Identifiers Required

When CTP is initialized, users are given the rights identifier PSI\$X25_USER. This privilege should be sufficient. If this provides insufficient privileges to run CTP, assign the BYPASS privilege.

X.25 for OpenVMS Software

- X.25 for OpenVMS must be configured and running on your system.
- The DTE you want to use to make and receive calls must be up and running. Use the following commands to verify this (at the Connector node if testing an X.25 Client system) :

```
ncl> show x25 protocol dte-name state
```

If the status of the DTE is not shown as Running, wait for two minutes and try again. If the status of the DTE is still not Running, refer to the *HP X.25 for OpenVMS—Problem Solving Guide*.

Partner System

Partner systems may be either the local system running the CTP or an accessible X.25 for OpenVMS system correctly configured to allow access from the local system and running CTP in Receive-Only mode.

You must know the X.25 address of the partner system.

9.3 Running the CTP

You can run the CTP either interactively or as a network object (that is, a predefined X25 ACCESS APPLICATION entity).

9.3.1 Running the CTP Interactively

To run the CTP interactively, enter the following command:

```
$ run sys$test:x25$ctp
```

After some introductory screens, you are asked which mode you want to run the CTP in (Send/Receive mode, Receive-Only mode, or Send-Only mode). Full details of these modes are given in Section 9.4.

9.3.2 Running the CTP as a Network Object

To run the CTP as a network object, enter the following command:

```
$ @sys$test:x25$ctp_add_netobj
```

To run the CTP as a network object automatically when you start X.25 for OpenVMS, you should add the above line to X25\$STARTUP.COM.

Note

When the CTP is set up as a network object, it can only handle **incoming** calls (either from a remote system or calls that have been looped back from the PSDN).

To remove the CTP as a network object, enter the command:

```
$ @sys$test:x25$ctp_rem_netobj
```

9.4 CTP Test Modes

The CTP can be run in one of the following test modes:

- Receive-Only mode—allows you to test your system's ability to receive incoming calls from remote systems.
- Send-Only mode—allows you to test your system's ability to send calls to a remote system that is running the CTP in Receive-Only mode.
- Send/Receive mode—allows you to test your system's ability to communicate with a PSDN (loopback testing) or with a remote system running the CTP in Receive-Only mode.

Full details about each of these modes are given in Sections 9.4.1, 9.4.2, and 9.4.3 respectively.

9.4.1 Receive-Only Mode

Nodes running in Receive-Only mode are referred to as listeners and perform the following tasks:

- Receive the X.25 connection requests from the other node
- Set up PVCs as test receivers
- Display testing information in the event of failure

Restrictions

- These nodes do not initiate any tests. This is performed by nodes running the Send-Only or Send/Receive mode.
- You are not allowed to run more than one Receive-Only mode at a time on any machine
- The Receive-Only mode should be run first.

When Receive-Only mode is successfully run on a node it means that the node is ready to receive and respond to connection requests and to send data on the resulting X.25 connection.

Note

Do not exit the Receive-Only mode until testing has been completed by the CTP in Send/Receive mode on the remote system, otherwise receiving will be disabled.

Verifying the Configuration

9.4 CTP Test Modes

9.4.2 Send-Only Mode

Nodes running in Send-Only mode perform the following tasks:

- Initiate connection requests and transfer of data
- Provide diagnostic and error messages

When running X.25 for OpenVMS, the Send-Only mode initiates the testing of DTEs and accesses connections to server nodes of the node on which it is run.

9.4.3 Send/Receive Mode

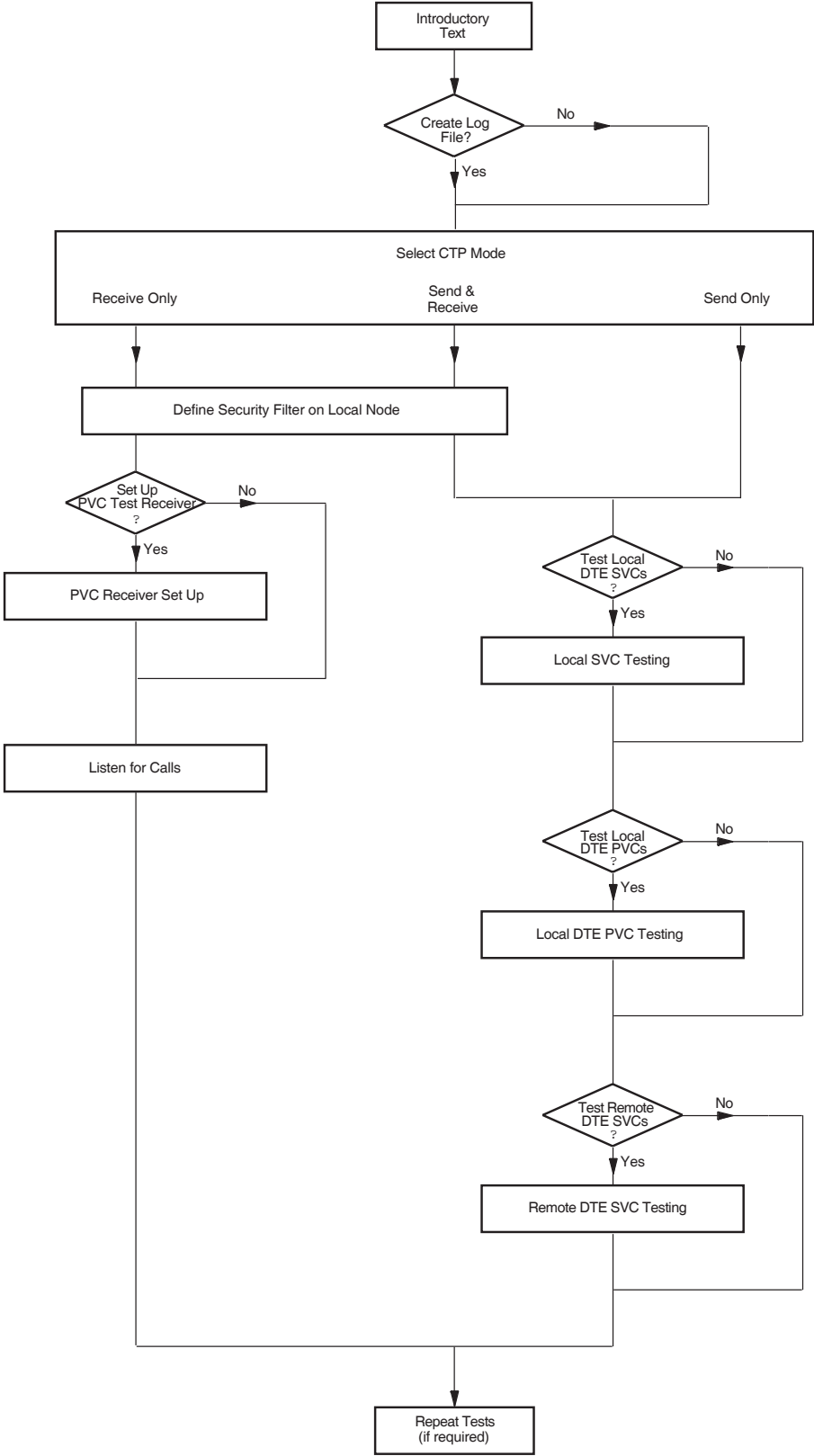
Nodes running in Send/Receive mode perform the tasks of both the Send-Only and Receive-Only modes. A node running in this mode is able to listen for its own connection requests, so that loopback tests can be performed on a node.

9.5 Testing SVCs and PVCs

Figure 9-1 provides a flowchart of the testing procedure for testing of SVCs and PVCs. For details of the steps required to test SVCs and PVCs, refer to Sections 9.5.1 through Section 9.5.3. A summary of the tests performed on each SVC or PVC are provided in Section 9.5.4.

Note that at the end of testing you are prompted whether to repeat any of the tests. If during the initial testing you chose to set up PVC receivers, those receivers are used for any repeat testing.

Figure 9-1 Configuration Test Procedure Flowchart



Verifying the Configuration

9.5 Testing SVCs and PVCs

9.5.1 Testing Local SVCs

First, you are asked if you want to carry out local SVC testing (that is, local DTE class testing).

When prompted, enter the following information:

- The security filter name (if Send/Receive or Receive–Only mode is being used). The default is the first security filter in the list shown.
- A default destination X25 address to which the test connection is to be made. The default is to use the DTE address defined for the local DTE.

The CTP then displays a table containing the local DTE information. You are prompted to indicate whether you want the test each DTE. If you answer YES, you must enter a destination DTE (X.25) address on which the listener (the CTP running in Receive–Only mode) resides. If you elect not to specify an address, the default address is used to supply the destination DTE address. The following example assumes that you have already indicated you want to test the DTEs and have supplied the destination DTE addresses:

LOCAL DTE SVC TESTING					
DTE	Usable	Test	DTE Class	Dest Addr	Result
---	-----	---	-----	-----	-----
LLC2-LCL-REM1	Yes	Yes	LLC2-LCL-REM1	12345	
LLC2-LCL-REM2	Yes	Yes	LLC2-LCL-REM2	6789	
LLC2-LCL-REM3	Yes	Yes	LLC2-LCL-REM3	9876	

Default Destination Address

If you are using the local system as both the sender and the receiver, you cannot use a single local DTE as a common partner address to verify a number of local DTEs. This is because the CTP enables only the DTE being tested and the remaining local DTEs are disabled. Therefore, do not specify a default DTE address but instead take the supplied default for each local DTE (which is the address of the DTE under test) and perform the test in loopback mode.

After selecting the DTEs you want to test and entering the destination addresses, you are prompted whether you want to change any of the test information prior to performing the tests.

You may test as many DTEs as you want to. After the DTEs have been tested the system displays either Success or Fail as the result of the test for each DTE.

The results for all the DTEs are initially displayed in a table. For example:

LOCAL DTE SVC TESTING					
DTE	Usable	Test	DTE Class	Dest Addr	Result
---	-----	---	-----	-----	-----
LLC2-LCL-REM1	Yes	Yes	REMCLASS-0	12345	Success
LLC2-LCL-REM2	Yes	Yes	REMCLASS-1	12345	Success
LLC2-LCL-REM3	Yes	Yes	REMCLASS-2	9876	Fail

You are then given the option to display more detailed test information for each DTE where the test failed. For example:

```

LOCAL DTE SVC TEST FAILURE
DTE Class      Failure Analysis
-----
REMCLASS-0     Test:   SVC outgoing call test
                Reason: Unsolic MSG$_DISCON mbx msg received
                cause code = 00, diag code = 00
                Cause:  Call cleared unexpectedly
                Action:
    
```

After reading the diagnostics and rectifying the problem, run the CTP test on the DTEs again.

9.5.2 Testing Local PVCs

After you have completed local SVC testing, you are prompted whether to test local PVCs. The X.25 Client Configuration Test Procedure allows you to test remote PVCs.

Defining PVC Receivers

If you are running the CTP in Send/Receive or Receive-Only mode, you are prompted for the names of PVCs you want to use as test receivers.

A table is then displayed containing PVC receiver information. For example:

```

PVC RECEIVER SET UP
PVC      Test   DTE Class   Result
---      -
CLASSA-RCV  Yes   CLASSA
AUSNAC-RCV  Yes   AUSNAC
    
```

You must then enter the DTE class to which the PVC belongs. If the logical name PSI\$NETWORK is defined on your system, the definition is used as the default DTE class name.

The results for all PVCs are initially displayed in the table. For example:

```

PVC RECEIVER SET UP
PVC      Test   DTE Class   Result
-----
CLASSA-RCV  Yes   CLASSA      Fail
AUSNAC-RCV  Yes   AUSNAC      Success
    
```

Verifying the Configuration

9.5 Testing SVCs and PVCs

Pressing **Return** displays more detailed test information for each PVC where the test failed. For example:

```

PVC RECEIVER FAILURE

PVC              Failure Analysis
---             -
CLASSA-RCV      Reason: Failed to set up receiver
                  status = SS$I_VDEVNAM
                  2nd status = PSI$C_ERR_NOSUCHPVC

                  Cause: Specified PVC is not known

Action:         The entity you specified does not exist.
                  Ensure that the name was entered correctly in
                  the test data. To determine which entities are
                  configured, use the ncl command:
                  ncl> show x25 proto dte <dte-name> pvc * name
                  at the remote node

```

After reading the diagnostics and rectifying the problem, run the CTP test on PVC receivers again.

Defining PVC Senders

If you are running the CTP in Send/Receive or Send-Only mode, you are prompted for the names of PVCs you want to test. Enter only the names of PVCs for which receivers have been successfully set up using the CTP.

The same tables are displayed as for PVC receiver setup. When prompted, enter the DTE class to which the specified PVCs belong.

The results are displayed as they were for the PVC receivers.

9.5.3 Testing Remote SVCs

Lastly, you are asked if you want to carry out remote SVC testing (that is, testing remote DTE classes).

When prompted, enter the following information:

- The security filter name (if Send/Receive or Receive-Only mode is being used)
- A default destination X25 address to which the test connection is to be made

The CTP then displays a table containing the remote DTE class information. You are prompted to indicate whether you want the test each remote DTE class. If you answer YES, you must enter a destination DTE (X.25) address on which the listener (the CTP running in Receive-Only mode) resides. If you elect not to specify an address, the default address is used to supply the destination DTE address. The following example assumes that you have already indicated you want to test the DTE classes and have supplied the destination DTE addresses:

```

                REMOTE DTE SVC TESTING

DTE Class      Test   Dest Addr      Result
-----
REMCLASS-0     Yes   12345
REMCLASS-1     Yes   9876

```

Default Destination Address

When running the CTP to verify a number of remote DTE classes, you can use the same remote DTE, running the CTP in Receive-Only mode, as a common partner for each of the remote DTE classes. In this case,

the DTE address of the partner system may be specified as a Default Destination Address to avoid having to specify it repeatedly.

You are then prompted whether to change any of the test information prior to performing the tests.

You may test as many DTE classes as you want to. After the remote DTE classes have been tested, the system displays either Success or Fail as the result of the test for each DTE class.

The results for all the remote DTE classes are initially displayed in a table. For example:

```

                REMOTE DTE SVC TESTING
          DTE Class      Test   Dest Addr      Result
          -----      ----   -
          REMCLASS-0     Yes    12345          Fail
          REMCLASS-1     Yes    9876           Success
    
```

You are then given the option to display more detailed test information for each DTE where the test failed. For example:

```

                REMOTE DTE SVC TEST FAILURE
          DTE Class      Failure Analysis
          -----      -
          REMCLASS-0     Test:   SVC outgoing call test
                               Reason: Unsolic MSG$_DISCON mbx msg received
                               cause code = 00, diag code = 00
                               Cause:   Call cleared unexpectedly
                               Action:
    
```

After reading the diagnostics and rectifying the problem, run the CTP test on the DTEs again.

9.5.4 Test Summary

Each time an SVC or PVC is tested the following tests are performed in the order shown:

1. SVC outgoing call test or PVC access test
2. Reset test
3. Interrupt test
4. Write/read test
5. Reset test
6. Interrupt test
7. Write/read test
8. SVC outgoing clear test or PVC deaccess test

If all the tests succeed the system displays Success as the result of the test. Otherwise, the system displays Fail, and the results of the first test which failed are displayed in detail.

Verifying the Configuration

9.6 CTP Failure Reasons

9.6 CTP Failure Reasons

During CTP testing one of the following events may occur:

- A specific test fails
- The CTP exits

These events and how to proceed if one occurs are described in Sections 9.6.1 and 9.6.2 respectively.

9.6.1 Test Failure

If a CTP test fails, an error message is displayed. Each error message displayed presents the following information:

- The operation being performed when the error occurred
- The system message associated with the error
- An X.25-specific reason for the error and, where relevant, details of the action that should be taken to rectify the error

9.6.2 CTP Exits

If the CTP is unable to run on your system it exits with an error message. Table 9-1 details each of the error messages that may be displayed and the action that should be taken to rectify the problem.

If an error message other than those given in Table 9-1 is generated, please contact HP support services for assistance.

Table 9-1 CTP Errors

x25\$pr file not found

Reason: The executable for the receiver process could not be found.
Action: Ensure that the file X25\$PR.EXE is present in the SYS\$TEST directory.

no connection to X25\$PR --
timed out trying to connect to x25\$pr --

Reason: The CTP could not connect to the receiver process.
Action: Ensure that when the CTP is running, the process X25\$PR_PID is also running on the local system, and either X25\$PR_PID or PSI\$PR is running on the receiving system.

version mismatch between X25\$PR interface and X25\$PR --
x25\$ctp and x25\$pr images not compatible --

Reason: The sending and receiving processes have different protocol versions. You cannot use this version of the X.25 for OpenVMS CTP to communicate with a system that produces these messages.
Action: Use loopback testing if a remote system running X.25 for OpenVMS V1.0 or later is not available.

(continued on next page)

Table 9–1 (Cont.) CTP Errors

x25\$pr has no room for new connections

Reason: The limit for connections to the receiver process has been exceeded.

Action: Reduce the number of CTP processes trying to connect to this receiver process, and/or the number of circuits being tested at one time. The maximum number of connections permitted is 16.

invalid X.25 Client installation

Reason: Your X.25 Client license has either expired or has been deregistered.

Action: The license must be loaded and registered before X.25 Client or the CTP can be used.

X.25 Client not running

Reason: X.25 Client is installed but not running.

Action: Ensure that X.25 client has been started.

invalid receiving mode

Reason: The logical PSI\$PR_NETOBJ_MODE has been defined incorrectly.

Action: Issue the DCL command:

`$ show logical PSI$PR_NETOBJ_MODE`

If the logical name is defined, it must be either SINK or MIRROR. Any other value is invalid.

exceeded <quota type> quota

Reason: The system quota for the type specified has been exceeded.

Action: Use SYS\$SYSTEM:AUTHORIZE to increase the relevant quotas for your process. Refer to Section 9.2 for a list of the quota values required.

Modifying the Configuration

This chapter describes how to modify an existing X.25 for OpenVMS configuration.

10.1 Overview of Methods

To modify an existing configuration, you can:

- Re-run the configuration program to generate a new configuration file, based on the existing configuration. Refer to Section 10.2.
- Add NCL commands to, or edit existing NCL commands in, the available user NCL script files. The NCL commands in these files are executed in addition to the NCL commands executed by the startup script. Refer to Section 10.3.
- Enter NCL commands to dynamically change the configuration. Refer to Section 10.4.
- Discard the current configuration data entirely and create a new configuration. This method is detailed in Section 10.5.

The choice of method determines what effect a modification has when the system is next rebooted:

- If you run the configuration program to make the changes required, the NCL script generated contains the required configuration data. Whenever the system is started up, the NCL script is run to configure the system.
- If you add NCL commands to, or edit NCL commands in, the user NCL script files, the commands are executed when the startup script is next run.
- If you change the configuration dynamically by issuing NCL commands, those changes remain in effect until one of the following actions take place:
 - The commands are revoked by subsequent NCL commands.
 - The system reboots and uses the configuration file NCL commands.
 - The configuration program is re-run (to generate a new configuration file) and the system is then rebooted.

Modifying the Configuration

10.2 Using the Configuration Program

10.2 Using the Configuration Program

To modify a configuration originally created using BASIC mode, you can use either BASIC or ADVANCED mode. To modify a configuration originally created using the ADVANCED mode, you must use the ADVANCED mode.

Note

The configuration program does not permit you to use BASIC mode to modify a configuration that was originally created using ADVANCED mode. This ensures that configuration data entered using the ADVANCED mode is retained for future use.

To modify a configuration:

1. Invoke the configuration program in BASIC or ADVANCED mode. Refer to Chapter 2.
2. Select the option “Modify an existing configuration script” from the Main Menu.

The configuration program retrieves the information stored in the configuration database.

- If the program is invoked in BASIC mode, it will load the information stored in the file `SYSS$STARTUP:X25$BASIC_CONFIG.DAT`.
- If the program is invoked in ADVANCED mode, it determines whether configuration data exists that was entered using the ADVANCED mode, that is, whether the file `SYSS$STARTUP:X25$CONFIG.DAT` has been created. If this file does not exist, the configuration program loads the data from the file `SYSS$STARTUP:X25$BASIC_CONFIG.DAT`.

Once the configuration data has been loaded, the Section Menu is displayed.

3. Use the options on the Section Menu to modify, add to, or delete the previously entered data.

Caution

If you have dynamically changed the configuration by issuing NCL commands interactively, the changes made will be lost when the startup script is next run.

If you select to modify the configuration by mistake or while modifying the configuration decide that you want to revert to the previous configuration, press **F8** before selecting the option to create the NCL script. Modifications to a configuration are saved only if you select to create the NCL script and that script is used when the startup script is next run.

10.3 Editing the User NCL Script Files

Four user NCL script files are created the first time the configuration program is run. These script files can be used to contain user-supplied NCL commands. The script files are called when the startup script is invoked and any commands defined in them are used to augment the NCL commands in the master NCL script file generated as a result of running the configuration program.

The available user NCL script files are:

<code>SYSS\$STARTUP:X25\$EXTRA_CREATE.NCL</code>	File containing additional, user-supplied NCL commands specific to creating entities.
<code>SYSS\$STARTUP:X25\$EXTRA_ENABLE.NCL</code>	File containing additional, user-supplied NCL commands specific to enabling entities.
<code>SYSS\$STARTUP:X25\$EXTRA_SECURITY.NCL</code>	File containing additional, user-supplied NCL commands specific to security .
<code>SYSS\$STARTUP:X25\$EXTRA_SET.NCL</code>	File containing additional, user-supplied NCL commands specific to setting the values of entities.

A standard text editor can be used to add NCL commands to these script files. Each command should be placed on a separate line. Only valid NCL commands should be added to the script files.

By default, the commands in the user NCL script files are executed only when the startup script is next run. To execute the commands immediately, issue the command:

```
ncl> do script-filename
```

where *script-filename* is one of the following:

```
SYSS$STARTUP:X25$EXTRA_CREATE.NCL  
SYSS$STARTUP:X25$EXTRA_ENABLE.NCL  
SYSS$STARTUP:X25$EXTRA_SECURITY.NCL  
SYSS$STARTUP:X25$EXTRA_SET.NCL
```

Note

The current configuration may have enabled one or more of the entities affected by commands specified in the user NCL script files. Such entities will have to be disabled before the user NCL script files can be executed successfully.

10.4 Modifying a Configuration Dynamically

To modify an existing configuration dynamically, use NCL commands to alter the configuration parameters initially set up when the configuration file is run. Full details on how to use NCL are given in the *HP DECnet-Plus for OpenVMS—Network Control Language Reference* manual.

Modifying the Configuration

10.5 Discarding a Configuration

10.5 Discarding a Configuration

If you want to discard your existing configuration or make extensive modifications to your configuration, it may be more efficient to create an entirely new configuration. This can be achieved by invoking the configuration program and selecting the **Create** option from the Main Menu.

The existing configuration is superseded when the new configuration file is generated.

10.6 Reusing a Saved Configuration File

Whenever a configuration file is generated by the configuration program, the previous script (if any) is saved. Provided that you have not manually deleted a saved version, a specific version can, if required, be recalled and used in place of the current version.

To reuse a specific saved configuration file:

1. Rename the required version of the `X25$CONFIG.NCL_SAV` file to `X25$CONFIG.NCL`.
2. Boot the system.

For example, to reuse version 3 of the configuration file, enter the command:

```
$ rename x25$config.ncl_sav;3 x25$config.ncl
```

Part V

Reference Material

This part consists of reference material. It consists of four appendices:

- Appendix A contains a series of blank forms in which you can write the values of configuration parameters specific to your system.
- Appendix C contains two example configurations along with the configuration files produced by the configuration program.
- Appendix D lists the characteristic values of the parameters in the Default and OSI Transport templates.
- Appendix E lists the location and use of each of the configuration files either created as a result of running the configuration program in basic and advanced modes or supplied with the product.

Values Specific to Your Configuration

This Appendix provides a set of blank tables in which you can record the configuration parameter values specific to your system. You can then refer to these tables when you run the configuration procedure.

For convenience, this Appendix has been divided into two sections:

- Section A.1 provides tables specific to the BASIC mode of the configuration program.
- Section A.2 provides tables specific to the ADVANCED mode of the configuration.

Note that there is some overlap between the data required for each mode of operation.

The full list of tables is given below:

Forms for the BASIC Mode:

Table A-1	X.25 over Wide Area Network
Table A-2	X.25 over Local Area Network
Table A-3	X.25 Client
Table A-4	PVCs
Table A-5	Incoming Call Security
Table A-6	X.29 Support

Forms for the ADVANCED Mode:

Table A-7	Remote DTE Classes
Table A-8	Lines and DTEs
Table A-9	LLC2 DTEs
Table A-10	XOT DTEs
Table A-11	Session Connections
Table A-12	PVCs
Table A-13	Groups
Table A-14	X.29 Support
Table A-15	Applications
Table A-16	Relay Clients
Table A-17	Filters
Table A-18	Templates

Values Specific to Your Configuration

Table A-19	Reachable Address
Table A-20	Server Clients
Table A-21	Incoming Security: Applications
Table A-22	Incoming Security: Filters
Table A-23	Incoming Security: Relay Clients
Table A-24	Outgoing Security: Local Processes

A.1 Basic Mode Configuration Parameter Values

Table A-1 X.25 over Wide Area Network

Information required	Your values
Profile name	_____
X.25 address	_____
Synchronous line name	_____
Incoming Logical Channel Ranges	_____
Outgoing Logical Channel Ranges	_____

Table A-2 X.25 over Local Area Network

Information required	Your values
LAN device name	_____
X.25 DTE address	_____
LAN remote host names†	_____
Remote MAC address	_____
Incoming Logical Channel Ranges	_____
Outgoing Logical Channel Ranges	_____

†Multiple LAN remote hosts are permitted.

Values Specific to Your Configuration

A.1 Basic Mode Configuration Parameter Values

Table A-3 X.25 Client

Information required	Your values
Network name (remote DTE class)	_____
X.25 Connector node names	_____

Table A-4 PVCs

Information required	Your values
DTE name (LAN configurations only)†	_____
PVC names	_____
Channel numbers	_____

†Multiple DTEs are permitted only for LAN configurations.

Table A-5 Incoming Call Security

Information required	Your values
Security type (Allow all incoming access Allow no incoming access Restricted incoming access)	_____
If Restricted Incoming Access:	
Remote DTE addresses with Access level = Remote Charge	_____
Remote DTE addresses with Access level = All	_____

Values Specific to Your Configuration
A.1 Basic Mode Configuration Parameter Values

Table A-6 X.29 Support

Information required	Your values
X29 Network User Identity	_____

Values Specific to Your Configuration

A.2 Advanced Mode Configuration Parameter Values

A.2 Advanced Mode Configuration Parameter Values

Table A-7 Remote DTE Classes

Information required	Your values
DTE class name	_____
Outgoing session template	_____
Segment size	_____
X.25 Connector node names	_____

Table A-8 Lines and DTEs

Information required	Your values
Line name	_____
Line speed	_____
Link name	_____
DTE name	_____
X.25 address	_____
Profile name	_____
DTE interface type (DTE, DCE, or Negotiated)	_____
Incoming Logical Channel Ranges	_____
Outgoing Logical Channel Ranges	_____

(continued on next page)

Values Specific to Your Configuration

A.2 Advanced Mode Configuration Parameter Values

Table A-8 (Cont.) Lines and DTEs

Information required	Your values
Packet level negotiation (Yes or No)	_____
Extended packet sequence numbering (Yes or No)	_____
Minimum packet size	_____
Maximum packet size	_____
Default packet size	_____
Level 3 minimum window size	_____
Level 3 maximum window size	_____
Level 3 default window size	_____
Extended frame sequence numbering (Yes or No)	_____
Level 2 window size	_____
Level 2 maximum data size	_____
Link interface type (DTE or DCE)	_____
Segment size	_____
Inbound DTE class	_____

Values Specific to Your Configuration

A.2 Advanced Mode Configuration Parameter Values

Table A-9 LLC2 DTEs

Information required	Your values
LAN device name	
LLC2 DTE name	
LLC2 DTE address	
Local LSAP address	
Level 3 Profile	
Incoming Logical Channel Ranges	
Outgoing Logical Channel Ranges	
Remote MAC address	
Remote LSAP address	
Link Interface type (DTE, DCE, or Negotiated)	
Packet level negotiation (Yes or No)	
Extended packet sequence numbering (Yes or No)	
Minimum packet size	
Maximum packet size	
Default packet size	
Level 3 Minimum window size	
Level 3 Maximum window size	
Level 3 Default window size	

(continued on next page)

Values Specific to Your Configuration

A.2 Advanced Mode Configuration Parameter Values

Table A–9 (Cont.) LLC2 DTEs

Information required	Your values
Inbound DTE Class	_____

Table A–10 XOT DTEs

Information required	Your values
Local TCP/IP address	_____
XOT DTE name	_____
XOT DTE address	_____
Local RFC1613 port number	_____
Level 3 profile	ISO8881
Incoming Logical Channel Ranges	_____
Outgoing Logical Channel Ranges	_____
Remote TCP/IP address	_____
Remote RFC1613 port number	_____
Packet level negotiation (Yes or No)	_____
Minimum packet size	_____
Maximum packet size	_____
Default packet size	_____
Level 3 minimum window size	_____

(continued on next page)

Values Specific to Your Configuration

A.2 Advanced Mode Configuration Parameter Values

Table A–10 (Cont.) XOT DTEs

Information required	Your values
Level 3 maximum window size	_____
Level 3 default window size	_____
Inbound DTE class	_____

Table A–11 Session Connections

Information required	Your values
Maximum Session Control Connections	_____

Table A–12 PVCs

Information required	Your values
DTE name	_____
PVC name	_____
Channel number	_____
Packet size	_____
Window size	_____

Values Specific to Your Configuration
A.2 Advanced Mode Configuration Parameter Values

Table A-13 Groups

Information required	Your values
Group name	_____
Group type (CUG, BCUG, or CUGOA)	_____
DTE names	_____
Corresponding CUG numbers	_____
Remote DTE address (BCUG Only)	_____

Table A-14 X.29 Support

Information required	Your values
X.29 Network User Identity	_____
DTE class for outgoing X.29 calls	_____

Values Specific to Your Configuration

A.2 Advanced Mode Configuration Parameter Values

Table A–15 Applications

Information required	Your values
Name	_____
Type (X.25 or X.29)	_____
Command file to start application	_____
Username for application	_____
Template name (X.29 applications only)	_____
Template details (refer to Table A–18)	_____
Filter names	_____
Filter details (refer to Table A–17)	_____

Table A–16 X.25 Relay–Clients

Information required	Your values
Client name	_____
DTE class	_____
Template name	_____
Filter names	_____

Values Specific to Your Configuration

A.2 Advanced Mode Configuration Parameter Values

Table A–17 Filters

Information required	Your values
Name	_____
Priority	_____
Incoming DTE address	_____
Call data mask	_____
Call data value	_____
DTE class	_____
Sending DTE address	_____
Receiving DTE address	_____
Group name	_____
Originally called address	_____
Redirect reason	_____
Called address extension mask	_____
Called address extension value	_____
Called NSAP	_____

Table A–18 Templates

Information required	Your values
Name	_____
DTE class	_____

(continued on next page)

Values Specific to Your Configuration

A.2 Advanced Mode Configuration Parameter Values

Table A–18 (Cont.) Templates

Information required	Your values
Call data	
Packet size	
Window size	
Destination DTE address	
Fast select option	
Reverse charging (Allow or Do not allow)	
Selected group	
Throughput class request	
Network User Identity	
Local facilities	
Charging information (Display or Do not display)	
RPOA sequence	
Local subaddress	
Target address extension	
NSAP mapping (Yes or No)	
Calling address extension	
Transit delay selection	
End-to-end delay	

(continued on next page)

Values Specific to Your Configuration

A.2 Advanced Mode Configuration Parameter Values

Table A–18 (Cont.) Templates

Information required	Your values
Expedited data option (Use, Do not use, or Not specified)	_____

Table A–19 Reachable Addresses

Information required	Your values
Name	_____
Address prefix	_____
DTE class	_____
Address extensions (Yes or No)	_____
Conversion mechanism (X.121 or Manual)	_____
Destination DTE address (only for Manual)	_____

Table A–20 X.25 Server–Clients

Information required	Your values
Client name	_____
Service nodes	_____
Filter names	_____

Values Specific to Your Configuration

A.2 Advanced Mode Configuration Parameter Values

Table A–21 Incoming Security: Applications

Information required	Your values
Name	_____
DTE addresses, Access = Remote Charge	_____
DTE addresses, Access = All	_____
DTE addresses, Access = None	_____

Table A–22 Incoming Security: Filters

Information required	Your values
Name	_____
DTE addresses, Access = Remote Charge	_____
DTE addresses, Access = All	_____
DTE addresses, Access = None	_____

Table A–23 Incoming Security: X.25 Relay–Clients

Information required	Your values
Name	_____
DTE Addresses, Access = Remote Charge	_____
DTE Addresses, Access = All	_____
DTE Addresses, Access = None	_____

Values Specific to Your Configuration

A.2 Advanced Mode Configuration Parameter Values

Table A-24 Outgoing Security: Local Processes

Information required	Your values
Rights identifier	_____
DTE addresses, Access = Remote Charge	_____
DTE addresses, Access = All	_____
PVC names, Access = All (only required if PVCs configured)	_____
DTE addresses, Access = None	_____
PVC names, Access = None (only required if PVCs configured)	_____

X.25 Communication Methods for OpenVMS I64 Systems

The X.25 V2.0 release for OpenVMS I64 system provides support for communication via:

- GAP (X.25 over DECnet)
- LLC2 (X.25 over LAN)
- XOT (X.25 over TCP/IP)

These methods require an external machine to act as a gateway or relay to the X.25 connection or PSDN. This machine provides the interface for the actual synchronous line and may be implemented using an OpenVMS Alpha system with a PBXDP or PBXDD synchronous communication controller, or a third party dedicated router.

X.25 native communication using a synchronous communication controllers on OpenVMS I64 system will not be supported.

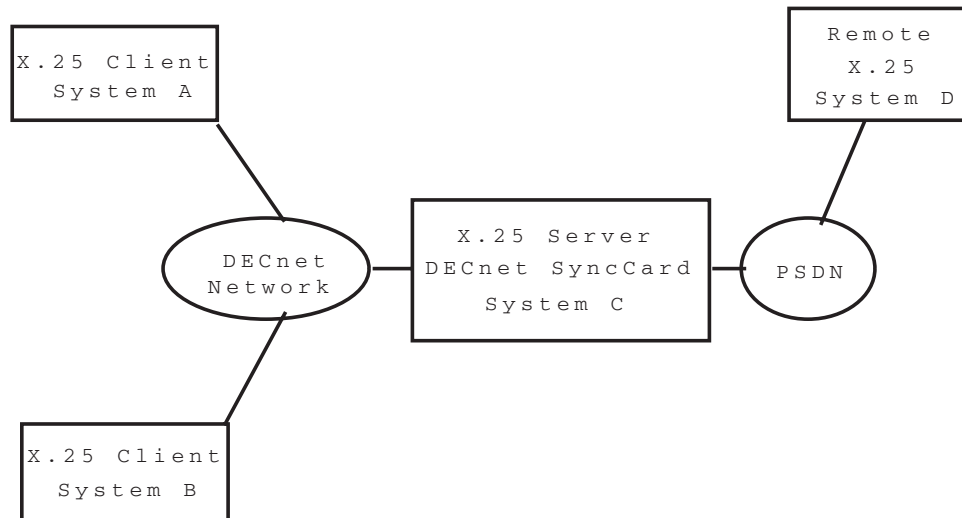
X.25 Communication Methods for OpenVMS I64 Systems

B.1 X.25 Server/Client

B.1 X.25 Server/Client

This communication method allows systems that are interconnected via a DECnet network to exchange X.25 protocol information. A typical network configuration would consist of an OpenVMS Alpha system with a synchronous communication controller (PBXDP or PBXDD) that would act as a gateway or X.25 Server for other OpenVMS Alpha or I64 systems (X.25 clients) running X.25.

Figure B-1 X.25 Server/Client configuration using DECnet



In this configuration, Systems A, B and C could communicate with System D. System C could be implemented as an Alpha system with a synchronous communication controller PBXDP or PBXDD, or as a third party router that supports X.25 Server (X.25 over DECnet) and synchronous communications.

Advantages of this configuration are that since DECnet is a routable protocol, the systems may be interconnected over wide area network. In addition, the actual networking backbone could be provided by TCP/IP and then use DECnet-over-TCP/IP for the X.25 client/server connection. One disadvantage for this configuration is that DECnet and X.25 Server/Client are implemented with proprietary protocols.

X.25 Communication Methods for OpenVMS I64 Systems

B.2 X.25 over Ethernet (LLC2)

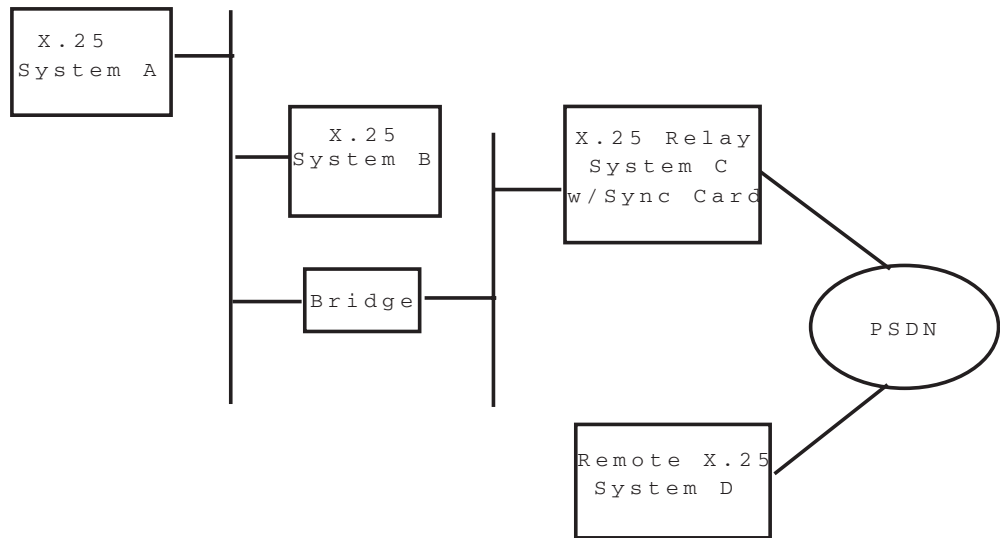
B.2 X.25 over Ethernet (LLC2)

This option allows X.25 systems that are interconnected via a LAN or Extended LAN to communicate via the LLC2 protocol. There are two basic configurations:

- Pure LLC2
- LLC2 used in conjunction with a relay system which allows X.25 traffic to be "relayed" from the LLC2 link to some other linkage such as a sync card.

Both configurations are outlined in the following diagram:

Figure B-2 X.25 using LLC2 and Relay



In the configuration shown, System A can communicate with System B using X.25 over LLC2. Both System A and B could also communicate with System C, and if System C was configured with X.25 Relay, Systems A and B would also be able to communicate with System D.

System C could be implemented as an Alpha system with a synchronous communication controller PBXDP or PBXDD, or as a third party router that supports LLC2 and synchronous communications.

The Relay system can be configured with different types of connections such as the synchronous line shown, or by running X.25 over TCP/IP. Many different types of third party router hardware exists that can provide the functionality of System C. LLC2 is not a routable protocol and so is limited to use on a LAN or Extended LAN.

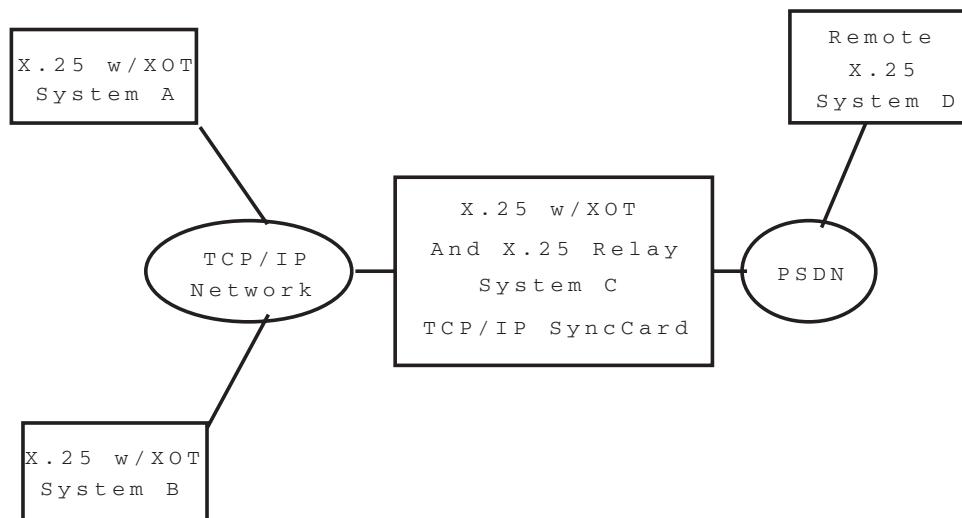
X.25 Communication Methods for OpenVMS I64 Systems

B.3 X.25 over TCP/IP (XOT)

B.3 X.25 over TCP/IP (XOT)

Based on RFC1613, X.25 over TCP/IP (aka XOT), this communication method allows systems that are interconnected via TCP/IP network to exchange X.25 protocol information. A typical network configuration would consist of an OpenVMS Alpha system with a synchronous communication controller (PBXDP or PBXDD) that would act as a gateway or X.25 Server for other OpenVMS Alpha or I64 systems (X.25 clients) running X.25.

Figure B-3 X.25 configuration using TCP/IP



In this configuration System A can communicate via X.25 with System B; either A or B can communicate with System C which in turn could be configured with X.25 Relay allowing A & B to communicate with system D.

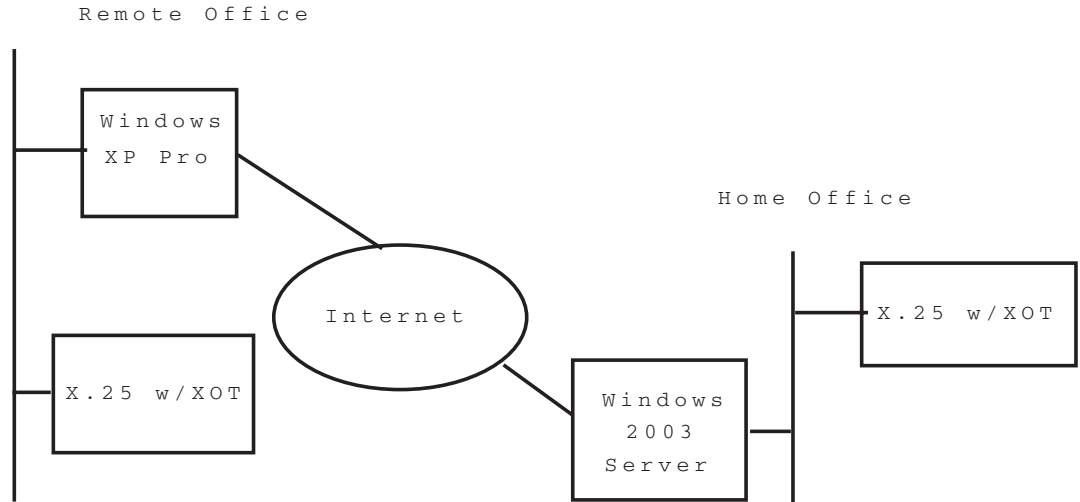
System C could be implemented as an Alpha system with a synchronous communication controller PBXDP or PBXDD, or as a third party router that supports X.25 over TCP/IP and synchronous communications.

Advantages of this configuration are that since TCP/IP is a routable protocol, the systems may be interconnected over wide area network. As with LLC2, there are many vendors that provide XOT functionality in dedicated routers. The connectivity between System C and System D could be via a synchronous line/PSDN; a point to point connection (leased line) or even an ISDN connection (using a dedicated device to connect from the sync line to an ISDN interface).

B.4 Variations on a theme

The following diagram looks at 2 disjoint locations (a home office and a remote office), connected via a virtual private network (such as PPTP).

Figure B-4 Connecting via Virtual Private Network



In this configuration the Windows XP Pro system would establish a PPTP connection to the Windows 2003 Server (or even another XP Pro system). Once the VPN connection was established (and assuming that the Windows systems were configured for internet connection sharing), the two X.25 systems running XOT could communicate.

The major advantage of this configuration is that it completely eliminates the need for a synchronous communication adapter. The configuration is also very secure, since the PPTP connection can have 128 bit encryption. The existing X.25 legacy application to continue functioning with no noticeable change (from the application perspective) to the network environment.

Example Configurations

This appendix details the configuration of two example X.25 systems:

- Example A details a configuration in which X.25 is set up to run over a synchronous link, with X.29 and X.25 applications configured to run over the network. Refer to Section C.1.
- Example B details a configuration in which X.25 is set up to run over LLC2, with X.29 and X.25 applications configured to run over the network. Refer to Section C.2.

Within each example, details are provided of the values that need to be entered in each section of the X.25 configuration program to configure the example system. Where appropriate, notes are provided about the values specified. Both examples assume that the configuration program is being used in ADVANCED mode.

A system cannot be configured without due consideration to its security. For this reason, details of setting up adequate system security are provided for each example.

To enable values entered in each configuration section to be compared to the corresponding NCL commands created when the NCL Script is generated, an NCL Script for the configured X.25 system is provided at the end of each example. References to the appropriate sections in the NCL Script are provided within each documented configuration section.

Example Configurations

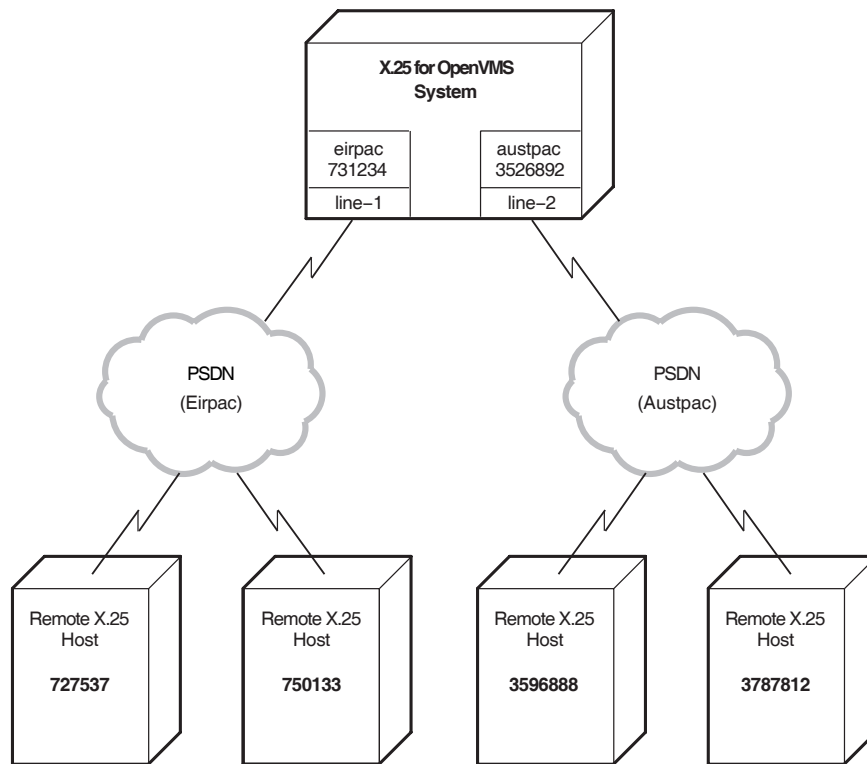
C.1 Example A—Configuration of X.25 Over a Synchronous Link

C.1 Example A—Configuration of X.25 Over a Synchronous Link

Figure C-1 shows the X.25 over LAPB configuration to be created. The X.25 for OpenVMS system is to be connected to two PSDNs, Eirpac and Austpac, by synchronous lines line-1 and line-2. It is assumed that the lines were configured using wddsetup when the WAN Device Drivers subsets were installed.

The networks contain remote X.25 hosts (having DTE addresses as shown) with which the X.25 for OpenVMS system is to communicate.

Figure C-1 Example Configuration: X.25 Over a Synchronous Link



The following restrictions are to be placed on making and receiving calls:

- X.29 calls are to be allowed over the Eirpac network, but not over the Austpac network.
- An X.25 application called X25Demo is to be set up for incoming X.25 calls from the Austpac network.

Security is to be configured to allow these calls to be verified.

Details of the entries that must be made in each configuration program section to create the required configuration are provided in the following subsections.

Example Configurations

C.1 Example A—Configuration of X.25 Over a Synchronous Link

Lines and DTEs Section

A DTE must be created for **each** line.

- For line-1, a DTE having the following values must be created:

- DTE Name: eirpac
- DTE Address: 731234
- Interface Type: DTE

The Interface Type is set to DTE because the system is connected to a PSDN.

- Profile: EIRPAC
- Outgoing List: {[1..31]}
- Incoming List: {[1..31]}

The values for the Outgoing List and Incoming List must be set to values appropriate to the host's subscription for the specified network. The range of permissible values is supplied by the network's administrative body. In this example, the Outgoing List and Incoming List for DTE eirpac are both set to {[1..31]}.

- Local DTE Class: EIRPAC.

This is the DTE class that applications will use to make outgoing calls to the network to which this DTE connects. The DTE class is also used for call security.

- Other values: Default values loaded from the network profile.

- For line-2, a DTE having the following values must be created:

- DTE Name: austpac
- DTE Address: 3526892
- Interface Type: DTE

The Interface Type is set to DTE because the system is connected to a PSDN.

- Profile: AUSTPAC
- Outgoing List: {[3..32]}
- Incoming List: {[3..32]}

In this example, the Outgoing List and Incoming List for DTE austpac are both set to {[3..32]}.

- Local DTE Class: AUSTPAC.

This is the DTE class that applications will use to make outgoing calls to the network to which this DTE connects. The DTE class is also used for call security.

- Other values: Default values loaded from the network profile.

The NCL commands corresponding to the values entered in this configuration section appear in the NCL script under the heading Create and set DTE: <dte-name>.

Example Configurations

C.1 Example A—Configuration of X.25 Over a Synchronous Link

X.29 Support Section

The following values should be specified in the X.29 Support Section:

- Network User Identity: %x25abacab
The Network User Identity (NUI) is set to identify the party to pay for the outgoing X.25 call made when an X.29 call is made from this system. In this example, the NUI has been set to %x25abacab.
- DTE Class: EIRPAC
This specifies that all outgoing X.29 calls are made over the Eirpac network.

Applications Section

Note

The X.25 application values are largely arbitrary, as they are dependent on the application being run, but the values specifying the network to send X.25 calls to, and receive X.25 calls from, are significant.

An application for X25Demo must be created in the Applications Section with the following values:

- Application Name: X25Demo
- Application Type: X.25
This specifies that the application writes to the X.25 programming interface.
- Command File: SYS\$SYSTEM:X25DEMO.COM
The command file for this example application.
- User Name: banks
The user ID of the application when handling X.25 calls. This determines the permissions the application possesses while being run.
- An Application Filter having the following values:
 - * Filter Name: x25demo_filter
 - * Call Data Mask: %xffffffff
Call Data Value: %x25abacab.
The Call Data can be used to select the application to be run; %x25abacab, in this example, selects X25Demo.
 - * Inbound DTE Class: AUSTPAC.
This specifies that only incoming calls from the Austpac network will be accepted by this application.
 - * Other values: Default values for X.25 filters.

The NCL commands corresponding to the values entered in this configuration section for the application X25Demo appear in the NCL script under the heading Create and set Application Entities. The NCL commands for its filter x25demo_filter appear under the heading Create and set up X25 Access Filters.

Example Configurations

C.1 Example A—Configuration of X.25 Over a Synchronous Link

Incoming Security: Applications Section

Incoming security for both X.29 calls and X.25 applications needs to be specified to allow incoming X.29 calls and access to the application X25Demo. For this example configuration, the following levels of security will be set up:

For X.29 calls:

- Remote X.25 host 727537 will have no access. Users from that node will not be permitted to make X.29 calls to the X.25 for OpenVMS host.
- Remote X.25 host 750133 will have unrestricted access. Users from that node will be permitted to make X.29 calls to the X.25 for OpenVMS host even if the remote host requests that the X.25 for OpenVMS host pays for the call.
- All other nodes on that network will have remote charge access. They will only be permitted X.29 access if they pay for it.

For the application X25Demo:

- Remote X.25 hosts 3787812 and 3596888 will have unrestricted access to X25Demo.
- All other nodes will have remote charge access to X25Demo.

The following values are specified in the Incoming Security: Applications section:

- Incoming X.29 calls are represented by the application X29_LOGIN. For this application,
 - * is added to the list of Remote Address Prefixes with an access level of Remote Charge.
 - 750133 is added to the list of Remote Address Prefixes with an access level of All.
 - 727537 is added to the list of Remote Address Prefixes with an access level of None.
- For the X25Demo application,
 - * is added to the list of Remote Address Prefixes with an access level of Remote Charge.
 - 3787812 and 3596888 are added to the list of Remote Address Prefixes with an access level of All.
 - The list of Remote Address Prefixes with an access level of None is left empty.

The NCL commands corresponding to this security setup lie chiefly under the NCL Script headings `Create Security Filters` and `Create Remote DTEs`. Remote DTEs are created for each remote X.25 host specified, and rights identifiers are attributed to them according to the level of access granted to that remote host by different X.25 applications. Therefore, in the example NCL script, the remote DTE `remdte-0` has the remote address prefix set to 750133, and has a rights identifier of `APPL_X29_LOGIN_ALL`. This indicates that the remote host 750133 has All (unrestricted) access when calling this host using X.29.

In the example NCL script, the remote DTE `match_all` has the remote address prefix set to *, and has rights identifiers of `APPL_X25Demo_REMOTE` and `APPL_X29_LOGIN_REMOTE`. This indicates that all remote hosts *except those with corresponding remote DTE entities* have remote charge access when accessing this node using X.29, or when accessing the application X25Demo.

Example Configurations

C.1 Example A—Configuration of X.25 Over a Synchronous Link

Outgoing Security Section

Outgoing security needs to be specified to allow users to make outgoing X.29 calls. For this example configuration, the following levels of security will be set up for the following rights identifiers:

- Processes with the `managers` identifier will have all access to all remote addresses.
- Processes with the `staff` rights identifier will have all access to nodes 750133 and 727537, and Remote Charge access to all other nodes.
- Processes with the `users` rights identifiers will have Remote Charge access to 750133 and 727537 and no access to other nodes.

The following values need to be specified in the Outgoing Security Section:

- For processes with the `managers` rights identifier:
 - The list of Remote Address Prefixes having an access level of Remote Charge is left empty.
 - *, 750133 and 727537 are added to the list of Remote Address prefixes having an access level of All. The last two addresses must be specified, as they were given explicit incoming security in the previous section. Addresses 3596888 and 3787812 do not need to be specified, as outgoing X.29 calls can only be made over the Eirpac network.
 - The list of Remote Address Prefixes having an access level of None is left empty.
- For processes with the `staff` rights identifier:
 - * is added to the Remote Address Prefixes having an access level of Remote Charge.
 - 750133 and 727537 are added to the list of Remote Address Prefixes having an access level of All.
 - The list of Remote Address Prefixes having an access level of None is left empty.
- For processes with the `users` rights identifier:
 - 750133 and 727537 are added to the list of Remote Address Prefixes having an access level of Remote Charge.
 - The list of Remote Address Prefixes having an access level of All is left empty.
 - * is added to the Remote Address Prefixes having an access level of None.

The NCL commands corresponding to the values entered in the Outgoing Security configuration section for the application X25Demo appear in the NCL script under the heading `Create and set Application Entities`.

The NCL commands corresponding to the specified security setup appear in the NCL script under the heading `Create Remote DTEs`.

Note that remote DTEs are created for each remote X.25 host specified, and Access Control entries, which associate the level of access granted with each group, are placed in the ACL of the Remote DTE.

C.1 Example A—Configuration of X.25 Over a Synchronous Link

Therefore, in the example NCL script, the remote `dte remdte-0` has remote address prefix set to `750133`, and has an ACL entry with an identifier of `managers` and an access level of `All`. This indicates that processes with the identifier `managers` have unrestricted access when making a call to destination address `750133`.

These values are sufficient to allow an X.29 and an X.25 application to operate over the configuration shown in Figure C-1.

Example Configurations

C.1 Example A—Configuration of X.25 Over a Synchronous Link

NCL Script for Example A

```
!
!
!       X25 CONFIGURATION SCRIPT
! =====
!
! This script was produced on:  Thu Feb  7 14:35:38 2005
!
!
!
! Create the x25 access entity
!
!
create node 0 x25 access
!
!
! Create the Default Security DTE Class Entity
!
!
create node 0 x25 access security dte class Default
!
!
! Create the x25 protocol entity
!
!
create node 0 x25 protocol
create node 0 lapb
!
! Create and set DTE:  eirpac
! and LAPB link:  eirpac
! using Line:  line-1
!
create lapb link eirpac profile "EIRPAC"
set lapb link eirpac physical line modem connect line line-1
set lapb link eirpac interface type dte
set lapb link eirpac maximum data size 131
set lapb link eirpac window size 7
!
!
! Create and set DTE:  eirpac
! using Line:  line-1
!
!
create x25 protocol dte eirpac profile "EIRPAC"
set x25 protocol dte eirpac link service provider lapb link eirpac
set x25 protocol dte eirpac inbound dte class EIRPAC
set x25 protocol dte eirpac x25 address 731234
set x25 protocol dte eirpac interface type negotiated
set x25 protocol dte eirpac segment size 64
set x25 protocol dte eirpac outgoing list {[1..31]}
set x25 protocol dte eirpac incoming list {[1..31]}
set x25 protocol dte eirpac default packet size 128
set x25 protocol dte eirpac default window size 2
!
! Create and set DTE:  austpac
! and LAPB link:  austpac
! using Line:  line-2
!
create lapb link austpac profile "AUSTPAC"
set lapb link austpac physical line modem connect line line-2
set lapb link austpac interface type dte
```

Example Configurations

C.1 Example A—Configuration of X.25 Over a Synchronous Link

```
set lapb link austpac maximum data size 270
set lapb link austpac window size 2
!
! Create and set DTE: austpac
! using Line: line-2
!
create x25 protocol dte austpac profile "AUSTPAC"
set x25 protocol dte austpac link service provider lapb link austpac
set x25 protocol dte austpac inbound dte class AUSTPAC
set x25 protocol dte austpac x25 address 3526892
set x25 protocol dte austpac interface type negotiated
set x25 protocol dte austpac segment size 64
set x25 protocol dte austpac outgoing list {[3..32]}
set x25 protocol dte austpac incoming list {[3..32]}
set x25 protocol dte austpac default packet size 128
set x25 protocol dte austpac default window size 2
!
! Create Local DTE Class: eirpac
!
create x25 access dte class eirpac type local
set x25 access dte class eirpac security dte class Default
set x25 access dte class eirpac local dtes (eirpac)
!
! Create Local DTE Class: EIRPAC
!
create x25 access dte class EIRPAC type local
set x25 access dte class EIRPAC security dte class Default
set x25 access dte class EIRPAC local dtes (eirpac)
!
! Create Local DTE Class: austpac
!
create x25 access dte class austpac type local
set x25 access dte class austpac security dte class Default
set x25 access dte class austpac local dtes (austpac)
!
! Create Local DTE Class: AUSTPAC
!
create x25 access dte class AUSTPAC type local
set x25 access dte class AUSTPAC security dte class Default
set x25 access dte class AUSTPAC local dtes (austpac)
!
! Enable commands related to DTE: eirpac
!
enable modem connect line line-1
enable lapb link eirpac
enable x25 protocol dte eirpac
!
! Enable commands related to DTE: austpac
!
enable modem connect line line-2
enable lapb link austpac
enable x25 protocol dte austpac
!
!
! Create and set reachable addresses
!
!
create node 0 x25 access reachable address x121 address prefix 37
set node 0 x25 access reachable address x121 mapping X.121
set node 0 x25 access reachable address x121 address extensions true
create node 0 x25 access reachable address x121d address prefix 36
set node 0 x25 access reachable address x121d mapping X.121
set node 0 x25 access reachable address x121d address extensions true
```

Example Configurations

C.1 Example A—Configuration of X.25 Over a Synchronous Link

```
!  
!  
! Create and set up X25 Access Filters  
!  
!  
create node 0 x25 access filter X29  
set node 0 x25 access filter X29 priority 1127  
set node 0 x25 access filter X29 call data value %x01 -  
    , call data mask %xff  
set node 0 x25 access filter X29 security filter APPL_X29_LOGIN  
create node 0 x25 access filter "OSI Transport"  
set node 0 x25 access filter "OSI Transport" -  
    call data value '03010100'H , call data mask 'FFFFFFF'H  
set node 0 x25 access filter "OSI Transport" -  
    redirect reason not specified  
set node 0 x25 access filter "OSI Transport" security filter Default  
create node 0 x25 access filter x25demo_filter  
set node 0 x25 access filter x25demo_filter priority 1  
set node 0 x25 access filter x25demo_filter call data value %x25abacab -  
    , call data mask %xffffffff  
set node 0 x25 access filter x25demo_filter inbound dte class AUSTPAC  
set node 0 x25 access filter x25demo_filter -  
    security filter APPL_X25Demo  
!  
!  
! Create and set Application Entities  
!  
!  
create node 0 x25 access application X29_LOGIN  
set node 0 x25 access application X29_LOGIN type x29 login  
set node 0 x25 access application X29_LOGIN filters (X29)  
set node 0 x25 access application X29_LOGIN template X29Server  
create node 0 x25 access application X25Demo  
set node 0 x25 access application X25Demo type x25  
set node 0 x25 access application X25Demo filters (x25demo_filter)  
set node 0 x25 access application X25Demo file "SYS$SYSTEM:X25DEMO.COM"  
set node 0 x25 access application X25Demo user "banks"  
!  
!  
! Create and set Templates  
!  
!  
create node 0 x25 access template X29Login  
set node 0 x25 access template X29Login dte class EIRPAC  
set node 0 x25 access template X29Login call data %x01000000  
set node 0 x25 access template X29Login packet size 512  
set node 0 x25 access template X29Login window size 7  
set node 0 x25 access template X29Login throughput class request [0..0]  
set node 0 x25 access template X29Login reverse charging false  
set node 0 x25 access template X29Login fast select not specified  
set node 0 x25 access template X29Login -  
    network user identity %x25abacab  
set node 0 x25 access template X29Login charging information false  
set node 0 x25 access template X29Login transit delay selection 0  
set node 0 x25 access template X29Login end-to-end delay [0..0]  
set node 0 x25 access template X29Login expedited data not specified  
set node 0 x25 access template X29Login nsap mapping false  
create node 0 x25 access template X29Server  
set node 0 x25 access template X29Server -  
    throughput class request [0..0]  
set node 0 x25 access template X29Server reverse charging false  
set node 0 x25 access template X29Server fast select not specified  
set node 0 x25 access template X29Server charging information false  
set node 0 x25 access template X29Server transit delay selection 0  
set node 0 x25 access template X29Server end-to-end delay [0..0]
```


Example Configurations

C.1 Example A—Configuration of X.25 Over a Synchronous Link

```
set node 0 x25 access template X29Server expedited data not specified
set node 0 x25 access template X29Server nsap mapping false
create node 0 x25 access template Default
set node 0 x25 access template Default throughput class request [0..0]
set node 0 x25 access template Default reverse charging false
set node 0 x25 access template Default fast select not specified
set node 0 x25 access template Default charging information false
set node 0 x25 access template Default transit delay selection 0
set node 0 x25 access template Default end-to-end delay [0..0]
set node 0 x25 access template Default expedited data not specified
set node 0 x25 access template Default nsap mapping false
create node 0 x25 access template "OSI Transport"
set node 0 x25 access template "OSI Transport" call data '03010100'H
set node 0 x25 access template "OSI Transport" packet size 2048
set node 0 x25 access template "OSI Transport" reverse charging false
set node 0 x25 access template "OSI Transport" fast select not specified
set node 0 x25 access template "OSI Transport" -
    charging information false
set node 0 x25 access template "OSI Transport" -
    transit delay selection 0
set node 0 x25 access template "OSI Transport" end-to-end delay [0..0]
set node 0 x25 access template "OSI Transport" -
    expedited data not specified
set node 0 x25 access template "OSI Transport" nsap mapping true
!
!
! Create Security Filters
!
!
create x25 access security filter Default
set x25 access security filter Default acl ((identifier =( Default_ALL -
    ), access = ALL),(identifier = ( Default_REMOTE -
    ), access = REMOTE_CHARGE),(identifier = ( Default_NONE -
    ), access = NONE))
create x25 access security filter APPL_X29_LOGIN
set x25 access security filter APPL_X29_LOGIN -
    acl ((identifier =( APPL_X29_LOGIN_ALL -
    ), access = ALL),(identifier = ( APPL_X29_LOGIN_REMOTE -
    ), access = REMOTE_CHARGE),(identifier = ( APPL_X29_LOGIN_NONE -
    ), access = NONE))
create x25 access security filter APPL_X25Demo
set x25 access security filter APPL_X25Demo -
    acl ((identifier =( APPL_X25Demo_ALL -
    ), access = ALL),(identifier = ( APPL_X25Demo_REMOTE -
    ), access = REMOTE_CHARGE),(identifier = ( APPL_X25Demo_NONE -
    ), access = NONE))
!
!
! Create Remote DTEs
!
!
create x25 access security dte class Default remote dte match_all -
    remote address prefix *
set x25 access security dte class Default remote dte match_all -
    rights identifiers (APPL_X25Demo_REMOTE,APPL_X29_LOGIN_REMOTE)
set x25 access security dte class Default remote dte match_all -
    acl ( ( identifier = { managers }, access = ALL), ( identifier = { staff -
    }, access = REMOTE_CHARGE), ( identifier = { users }, access = NONE))
create x25 access security dte class Default remote dte remdte-0 -
    remote address prefix 750133
set x25 access security dte class Default remote dte remdte-0 -
    rights identifiers (APPL_X29_LOGIN_ALL)
set x25 access security dte class Default remote dte remdte-0 -
    acl ( ( identifier = { staff }, access = ALL), ( identifier = { managers -
    }, access = ALL), ( identifier = { users }, access = REMOTE_CHARGE))
```

Example Configurations

C.1 Example A—Configuration of X.25 Over a Synchronous Link

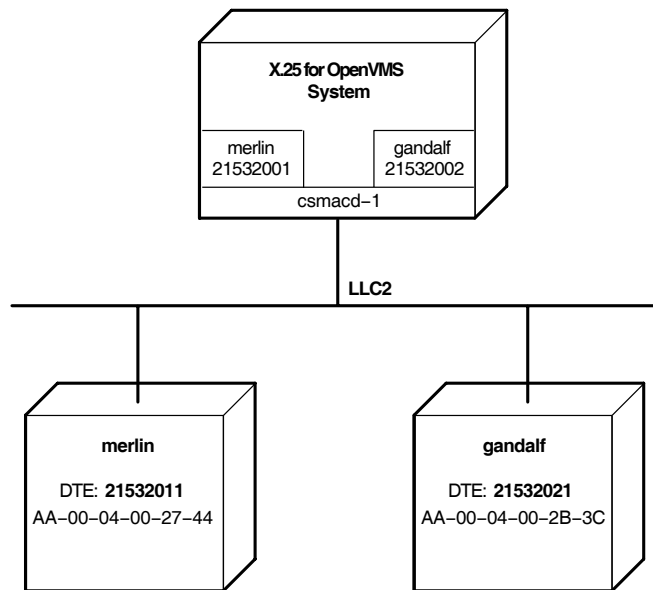
```
create x25 access security dte class Default remote dte remdte-1 -
  remote address prefix 727537
set x25 access security dte class Default remote dte remdte-1 -
  rights identifiers (APPL_X29_LOGIN_NONE)
set x25 access security dte class Default remote dte remdte-1 -
  acl ( ( identifier = { staff }, access = ALL), ( identifier = { managers -
    }, access = ALL), ( identifier = { users }, access = REMOTE_CHARGE))
create x25 access security dte class Default remote dte remdte-2 -
  remote address prefix 3787812
set x25 access security dte class Default remote dte remdte-2 -
  rights identifiers (APPL_X25Demo_ALL)
set x25 access security dte class Default remote dte remdte-2 acl ( )
create x25 access security dte class Default remote dte remdte-3 -
  remote address prefix 3596888
set x25 access security dte class Default remote dte remdte-3 -
  rights identifiers (APPL_X25Demo_ALL)
set x25 access security dte class Default remote dte remdte-3 acl ( )
!
!
! Include the user's extra enable ncl script
!
!
do sys$startup:x25_extra_security.ncl
!
!
! Include the user's extra create ncl script
!
!
do sys$startup:x25_extra_create.ncl
!
!
! Include the user's extra set ncl script
!
!
do sys$startup:x25_extra_set.ncl
!
!
! Enable x25 access
!
!
enable node 0 x25 access
!
!
! Enable application entities
!
!
enable node 0 x25 access application X29_LOGIN
enable node 0 x25 access application X25Demo
!
!
! Include the user's extra enable ncl script
!
!
do sys$startup:x25_extra_enable.ncl
```

C.2 Example B—Configuration of X.25 Over LLC2

Figure C-2 shows the X.25 over LLC2 configuration to be created. The X.25 for OpenVMS system is to be connected to a LAN by the MAC Service Provider `csmacd-1`. This entity is created when installing DECnet-Plus.

The LAN-based X.25 network contains remote X.25 hosts (having DTE addresses and MAC addresses as shown) with which the X.25 for OpenVMS system is to communicate.

Figure C-2 Example Configuration: X.25 Over LLC2



An X.29 application called `X29Demo` is to be set up for incoming X.25 calls from the network. Security must be configured to allow these X.25 calls to be verified. Filters and templates need to be created to allow user-written X.25 applications on the X.25 for OpenVMS system to make calls to, and receive calls from, remote hosts on this network.

Details of the entries that must be made in each configuration program section to create the required configuration are provided in the following subsections.

Example Configurations

C.2 Example B—Configuration of X.25 Over LLC2

LLC2 DTEs Section

One LLC2 DTE must be created for `csmaacd-1` for **each** remote X.25 host.

- For `merlin`, an LLC2 DTE having the following values must be created:
 - LLC2 DTE Name: `merlin`.

Since LLC2 DTEs only reference one remote host, it is useful to give the DTE the same name as the remote host.
 - DTE Address: `21532001`.
 - Outgoing List: `{[1..1024]}`
Incoming List: `{[1..1024]}`

The values of the Outgoing List and Incoming List are set to values appropriate to the remote host. All local Outgoing Logical Channels for this DTE must correspond to an Incoming Channel on the remote host's DTE. Similarly, there must be a local Incoming Logical Channel for every Outgoing Logical Channel on the remote host's DTE. In this example, the remote host `merlin` has its DTE's Outgoing List and Incoming List both set to `{[1..1024]}` (not shown in Figure C-2). Therefore, the Outgoing List and Incoming List for this LLC2 DTE must also be set to `{[1..1024]}`.
 - Remote MAC Address: `AA-00-04-00-27-44`
 - Interface Type: `Negotiated`

For LLC2 communication, one DTE must be in DTE mode, and the other in DCE mode. In this example, the DTE mode of the remote host `merlin`'s DTE is unknown. By setting the DTE mode to `Negotiated`, the two DTEs will negotiate their interface types when enabled.
 - DTE Class: `X25_LAN1`

Specifying the same DTE class for all LLC2 DTEs on the same network, enables a single filter to match incoming calls from **all** remote hosts on that network. Note that a DTE class with the name `merlin` and having this DTE as its only member, will also be created.
 - Other values: Default values.
- For `gandalf`, an LLC2 DTE having the following values must be created:
 - LLC2 DTE Name: `gandalf`
 - DTE Address: `21532002`
 - Outgoing List: `{[65..128]}`
Incoming List: `{[1..64]}`

In this example, the host `gandalf` has its DTE's Outgoing List set to `{[1..64]}`, and its Incoming List set to `{[65..128]}` (not shown in Figure C-2). Therefore, for this host's LLC2 DTE, the Outgoing List is set to `{[65..128]}`, and Incoming List is set to `{[1..64]}`.
 - Remote MAC Address: `AA-00-04-00-2B-3C`
 - Interface Type: `DCE`

In this example, `gandalf`'s DTE is known to be in DTE mode.

Example Configurations

C.2 Example B—Configuration of X.25 Over LLC2

- DTE Class: X25_LAN1, as for LLC2 DTE merlin.

Note that a DTE class with the name `gandalf` and having this DTE as its only member, will also be created.

- Other values: Default values.

The NCL commands corresponding to this section appear in the NCL script under the heading `Create and setup LLC2 DTEs`.

Applications Section

Note

The X.29 application values are largely arbitrary as they are dependent on the application being run, but the values specifying the network to send X.25 calls to, and receive X.25 calls from, are significant.

Note also that an application filter must be specified for **each** remote X.25/LLC2 host.

The following values for X29Demo must be specified in the Applications Section:

- Application Name: X29Demo

- Application Type: X.29

This specifies that the application does not write to the X.25 programming interface, but to `stdout` and `stdin`. However, the application is to be executed in response to an incoming X.29 call.

- Command File: SYS\$SYSTEM:X29DEMO.COM.

The command file for this application.

- User Name: `oxley`

The user ID of the application when handling X.25 calls. This determines the permissions the application possesses while being run.

- Application Template: `Default`

This application does not require specific X.25 call settings, so it will accept those specified by the incoming X.25 call.

- Application filter for matching calls from the LAN-based X.25 network:

- * Filter Name: `x29demo_x25lan1`

- * Call Data Mask: `%xffffffff`

- * Call Data Value: `%x01abacab`.

The Call Data is used to select the application to be run. The first two bytes should be `01`, as this indicates an X.29 call. The remainder of the Call Data specifies the X.29 application to run. `abacab` in this example, selects X29Demo. Note that if the remainder of the Call Data were empty, this would specify an X.29 login session is to be invoked rather than specifying an X.29 application to be run.

- * Inbound DTE Class: `X25_LAN1`.

This specifies that only incoming calls from the X.25/LLC2 network will be matched by this filter.

- * Other values: Default values for X.25 filters.

Example Configurations

C.2 Example B—Configuration of X.25 Over LLC2

The NCL commands corresponding to the values entered in this configuration section for the application X29Demo appear in the NCL Script under the heading Create and set Application Entities. The NCL commands for the application's filter x29demo_x25lan1 appear under the heading Create and set up X25 Access Filters.

Filters Section

In this example, filters need to be created to allow user-written X.25 applications to receive calls from the remote hosts `gandalf` and `merlin`.

- For remote host `merlin`, an X.25 filter with the following values must be specified:

- Filter Name: `user_merlin`
- Call Data Mask: `%ffffff`
Call Data Value: `%xfacade`.

This is to prevent this filter matching X.25 calls from other applications. Calls made from `merlin` that are to be received by user applications on this node must include the call data value `%xfacade`.

- Inbound DTE Class: `merlin`.

The DTE class `merlin` was created automatically when the DTE was created. Setting the Inbound DTE Class to `merlin` specifies that only incoming calls from host `merlin` will be matched by this filter. Note that to use this filter to match incoming calls from **all** remote hosts on the network, the Inbound DTE Class would need to be set to `X25_LAN1`.

- Other values: Default values for X.25 filters.

- For remote host `gandalf`, an X.25 filter with the following values must be specified:

- Filter Name: `user_gandalf`
- Call Data Mask: `%ffffff`
Call Data Value: `%xfacade`
- Inbound DTE Class: `gandalf`.

The DTE class `gandalf` was created automatically when the DTE was created.

- Other values: Default values for X.25 filters.

Templates Section

Templates need to be created to allow user-written X.25 applications to make outgoing X.25 calls to `merlin` and `gandalf`.

- For outgoing X.25 calls to `merlin`, a template having the following values must be specified:

- Template Name: `user_merlin`
- Call Data: `%xfacade`

This setting assumes that the remote host `merlin` is filtering incoming calls based on this call data value.

Example Configurations

C.2 Example B—Configuration of X.25 Over LLC2

- DTE Class: merlin
This setting ensures that the call is made over the DTE merlin, which in turn will ensure it is sent to the remote node merlin.
- Other values: Default values.
- For outgoing X.25 calls to gandalf, a template having the following values must be specified:
 - Template Name: user_gandalf
 - Call Data: %xfacade
Refer to template for merlin above.
 - DTE Class: gandalf
This setting ensures that the call is made over the DTE gandalf, which will ensure it is sent to the remote node gandalf.
 - Other values: Default values.

Incoming Security for Applications

Incoming security for the X.29 application must be specified in the Incoming Security: Applications section. For this example, the following levels of security will be set up:

For the application X29Demo:

- Remote X.25 hosts merlin and gandalf will have unrestricted access to X29Demo.
- All other nodes will have remote charge access to X29Demo.

The following values must be specified in the Incoming Security: Applications section for the application X29Demo:

- * is added to the list of Remote Address Prefixes having an access level of Remote Charge.
- 21532011 and 21532021 are added to the list of Remote Address Prefixes having an access level of All.
- The list of Remote Address Prefixes having an access level of None is left empty.

The NCL commands corresponding to this security setup lie chiefly under the NCL Script headings Create Security Filters and Create Remote DTEs. Remote DTEs are created for each remote X.25 host specified, and rights identifiers are attributed to them according to the level of access granted that remote host by different X.25 applications.

Therefore, in the example NCL script, the remote DTE remdte-0 has remote address prefix set to 21532011, and has a rights identifier of APPL_X29Demo_ALL. This indicates that the remote host 21532011 has All (unrestricted) access when calling the X.29 application X29Demo.

Example Configurations

C.2 Example B—Configuration of X.25 Over LLC2

Incoming Security for Filters

Incoming Security for the two X.25 filters `user_merlin` and `user_gandalf` must be specified to allow calls to be received by user-written applications using these filters. In this example, the following levels of access are to be set up in the Incoming Security: Filters section:

For the filter `user_merlin`:

- Allow all access from remote node `merlin`.
- Allow no access from any other node. Any attempt to allow access from any other node would fail, as the filter `user_merlin` will only match calls that originate from `merlin`.

For the filter `user_gandalf`:

- Allow all access from remote node `gandalf`.
- Allow no access from any other node. Any attempt to allow access from any other node would fail, as the `user_gandalf` will only match calls that originate from `gandalf`.

The following values must be specified in the Incoming Security: Filters section:

- For the filter `user_merlin`,
 - The list of Remote Address Prefixes having an access level of Remote Charge is left empty.
 - 21532011 is added to the list of Remote Address Prefixes having an access level of All.
 - * is added to the list of Remote Address Prefixes having an access level of None.
- For the filter `user_gandalf`,
 - The list of Remote Address Prefixes having an access level of Remote Charge is left empty.
 - 21532021 is added to the list of Remote Address Prefixes having an access level of All.
 - * is added to the list of Remote Address Prefixes having an access level of None.

The NCL commands corresponding to this security setup lie chiefly under the NCL Script headings `Create Security Filters` and `Create Remote DTEs`. Remote DTEs are created for each remote X.25 host specified, and rights identifiers are attributed to them according to the level of access granted that remote host by different X.25 applications.

Therefore, in the example NCL script, the remote DTE `remdte-0` has its remote address prefix set to 21532011, and has a rights identifier of `FILT_user_merlin_ALL`. This indicates that the remote host 21532011 has All (unrestricted) access when calling a user-written application listening on filter `user_merlin`.

Example Configurations

C.2 Example B—Configuration of X.25 Over LLC2

Outgoing Security Section

Outgoing security needs to be specified to allow users to make outgoing X.29 calls. For this example, the following levels of security will be set up for rights identifiers:

- Processes with the rights identifier `managers` will have all access to all remote addresses.
- Processes with the rights identifier `staff` will have all access to nodes 21532011 and 21532021, and Remote Charge access to all other nodes.
- Processes with the rights identifier `users` will have Remote Charge access to 21532011 and 21532021, and no access to other nodes.

The following values must be specified in the Outgoing Security Section:

- For processes with the rights identifier `managers`:
 - The list of Remote Address Prefixes having an access level of Remote Charge is left empty.
 - *, 21532011 and 21532021 are added to the list of Remote Address prefixes having an access level of All. The last two addresses must be specified, as they were given explicit incoming security in the previous section.
 - The list of Remote Address Prefixes having an access level of None is left empty.
- For processes with the rights identifier `staff`:
 - * is added to the Remote Address Prefixes having an access level of Remote Charge.
 - 21532011 and 21532021 are added to the list of Remote Address Prefixes having an access level of All.
 - The list of Remote Address Prefixes having an access level of None is left empty.
- For processes with the rights identifier `users`:
 - 21532011 and 21532021 are added to the list of Remote Address Prefixes having an access level of Remote Charge.
 - The list of Remote Address Prefixes having an access level of All is left empty.
 - * is added to the Remote Address Prefixes having an access level of None.

The NCL commands corresponding to this security setup lie under the NCL Script heading `Create Remote DTEs`. Remote DTEs are created for each remote X.25 host specified, and Access Control entries, which associate the level of access granted with each group, are placed in the ACL of the Remote DTE.

Therefore, in the example NCL script, the remote DTE `remdte-0` has its remote address prefix set to 21532011, and has an ACL entry with an identifier of `managers` and an access level of All. This indicates that processes with the identifier `managers` have unrestricted access when making a call to destination address 21532011.

These values are sufficient to allow an X.29 application and user-written programs to operate over the configuration shown in Figure C-2.

Example Configurations

C.2 Example B—Configuration of X.25 Over LLC2

NCL Script for Example B

```
!
!
!       X25 CONFIGURATION SCRIPT
! =====
!
! This script was produced on:  Thu Feb  7 15:19:31 2005
!
!
!
! Create the x25 access entity
!
!
create node 0 x25 access
!
!
! Create the Default Security DTE Class Entity
!
!
create node 0 x25 access security dte class Default
!
!
! Create the x25 protocol entity
!
!
create node 0 x25 protocol
!
!
! Create and setup LLC2 SAP
!
!
create node 0 llc2
create node 0 llc2 sap sap-0
set node 0 llc2 sap sap-0 lan station csma-cd station csmacd-1
set node 0 llc2 sap sap-0 local lsap address 7e
!
!
! Create and setup LLC2 SAP link
!
!
create node 0 llc2 sap sap-0 link merlin
set node 0 llc2 sap sap-0 link merlin -
    remote mac address aa-00-04-00-27-44
set node 0 llc2 sap sap-0 link merlin remote lsap address 7e
!
! Create and setup llc2 dtes
!
create node 0 x25 protocol dte merlin profile "ISO8881"
set node 0 x25 protocol dte merlin inbound dte class X25_LAN1
set node 0 x25 protocol dte merlin x25 address 21532001
set node 0 x25 protocol dte merlin -
    link service provider llc2 sap sap-0 link merlin
set node 0 x25 protocol dte merlin outgoing list {[1..1024]}
set node 0 x25 protocol dte merlin incoming list {[1..1024]}
set node 0 x25 protocol dte merlin -
    extended packet sequencing false, maximum window size 7 -
    , minimum window size 1 , default window size 2
set node 0 x25 protocol dte merlin default packet size 128
set node 0 x25 protocol dte merlin interface type negotiated
create node 0 llc2 sap sap-0 link gandalf
set node 0 llc2 sap sap-0 link gandalf -
```

Example Configurations

C.2 Example B—Configuration of X.25 Over LLC2

```
remote mac address aa-00-04-00-2b-3c
set node 0 llc2 sap sap-0 link gandalf remote lsap address 7e
create node 0 x25 protocol dte gandalf profile "ISO8881"
set node 0 x25 protocol dte gandalf inbound dte class X25_LAN1
set node 0 x25 protocol dte gandalf x25 address 21532002
set node 0 x25 protocol dte gandalf -
link service provider llc2 sap sap-0 link gandalf
set node 0 x25 protocol dte gandalf outgoing list {[65..128]}
set node 0 x25 protocol dte gandalf incoming list {[1..64]}
set node 0 x25 protocol dte gandalf -
extended packet sequencing false, maximum window size 7 -
, minimum window size 1 , default window size 2
set node 0 x25 protocol dte gandalf default packet size 128
set node 0 x25 protocol dte gandalf interface type dce
!
! Create Local DTE Class: merlin
!
create x25 access dte class merlin type local
set x25 access dte class merlin security dte class Default
set x25 access dte class merlin local dtes (merlin)
!
! Create Local DTE Class: X25_LAN1
!
create x25 access dte class X25_LAN1 type local
set x25 access dte class X25_LAN1 security dte class Default
set x25 access dte class X25_LAN1 local dtes (gandalf,merlin)
!
! Create Local DTE Class: gandalf
!
create x25 access dte class gandalf type local
set x25 access dte class gandalf security dte class Default
set x25 access dte class gandalf local dtes (gandalf)
!
!
! Create and set reachable addresses
!
!
create node 0 x25 access reachable address x121 address prefix 37
set node 0 x25 access reachable address x121 mapping X.121
set node 0 x25 access reachable address x121 address extensions true
create node 0 x25 access reachable address x121d address prefix 36
set node 0 x25 access reachable address x121d mapping X.121
set node 0 x25 access reachable address x121d address extensions true
!
!
! Create and set up X25 Access FILTERS
!
!
create node 0 x25 access filter "OSI Transport"
set node 0 x25 access filter "OSI Transport" -
call data value '03010100'H , call data mask 'FFFFFFF'H
set node 0 x25 access filter "OSI Transport" -
redirect reason not specified
set node 0 x25 access filter "OSI Transport" security filter Default
create node 0 x25 access filter x29demo_x25lan1
set node 0 x25 access filter x29demo_x25lan1 priority 1
set node 0 x25 access filter x29demo_x25lan1 call data value %x01abacab -
, call data mask %xffffffff
set node 0 x25 access filter x29demo_x25lan1 inbound dte class X25_LAN1
set node 0 x25 access filter x29demo_x25lan1 -
security filter APPL_X29Demo
create node 0 x25 access filter user_merlin
set node 0 x25 access filter user_merlin priority 1
set node 0 x25 access filter user_merlin call data value %xfacade -
, call data mask %xffffffff
```

Example Configurations

C.2 Example B—Configuration of X.25 Over LLC2

```
set node 0 x25 access filter user_merlin inbound dte class merlin
set node 0 x25 access filter user_merlin -
    security filter FILT_user_merlin
create node 0 x25 access filter user_gandalf
set node 0 x25 access filter user_gandalf priority 1
set node 0 x25 access filter user_gandalf call data value %xfacade -
    , call data mask %xffffffff
set node 0 x25 access filter user_gandalf inbound dte class gandalf
set node 0 x25 access filter user_gandalf -
    security filter FILT_user_gandalf
!
!
! Create and set application entities
!
!
create node 0 x25 access application X29Demo
set node 0 x25 access application X29Demo type x29
set node 0 x25 access application X29Demo filters (x29demo_x25lan1)
set node 0 x25 access application X29Demo file "SYS$SYSTEM:X29DEMO.COM"
set node 0 x25 access application X29Demo template Default
set node 0 x25 access application X29Demo user "oxley"
!
!
! Create and set templates
!
!
create node 0 x25 access template Default
set node 0 x25 access template Default throughput class request [0..0]
set node 0 x25 access template Default reverse charging false
set node 0 x25 access template Default fast select not specified
set node 0 x25 access template Default charging information false
set node 0 x25 access template Default transit delay selection 0
set node 0 x25 access template Default end-to-end delay [0..0]
set node 0 x25 access template Default expedited data not specified
set node 0 x25 access template Default nsap mapping false
create node 0 x25 access template "OSI Transport"
set node 0 x25 access template "OSI Transport" call data '03010100'H
set node 0 x25 access template "OSI Transport" packet size 2048
set node 0 x25 access template "OSI Transport" reverse charging false
set node 0 x25 access template "OSI Transport" fast select not specified
set node 0 x25 access template "OSI Transport" -
    charging information false
set node 0 x25 access template "OSI Transport" -
    transit delay selection 0
set node 0 x25 access template "OSI Transport" end-to-end delay [0..0]
set node 0 x25 access template "OSI Transport" -
    expedited data not specified
set node 0 x25 access template "OSI Transport" nsap mapping true
create node 0 x25 access template user_merlin
set node 0 x25 access template user_merlin dte class merlin
set node 0 x25 access template user_merlin call data %xfacade
set node 0 x25 access template user_merlin -
    throughput class request [0..0]
set node 0 x25 access template user_merlin reverse charging false
set node 0 x25 access template user_merlin fast select not specified
set node 0 x25 access template user_merlin charging information false
set node 0 x25 access template user_merlin transit delay selection 0
set node 0 x25 access template user_merlin end-to-end delay [0..0]
set node 0 x25 access template user_merlin expedited data not specified
set node 0 x25 access template user_merlin nsap mapping false
create node 0 x25 access template user_gandalf
set node 0 x25 access template user_gandalf dte class gandalf
set node 0 x25 access template user_gandalf call data %xfacade
set node 0 x25 access template user_gandalf -
    throughput class request [0..0]
```

Example Configurations

C.2 Example B—Configuration of X.25 Over LLC2

```
set node 0 x25 access template user_gandalf reverse charging false
set node 0 x25 access template user_gandalf fast select not specified
set node 0 x25 access template user_gandalf charging information false
set node 0 x25 access template user_gandalf transit delay selection 0
set node 0 x25 access template user_gandalf end-to-end delay [0..0]
set node 0 x25 access template user_gandalf expedited data not specified
set node 0 x25 access template user_gandalf nsap mapping false
!
!
! Create Security filters
!
!
create x25 access security filter Default
set x25 access security filter Default acl ((identifier =( Default_ALL -
), access = ALL),(identifier = ( Default_REMOTE -
), access = REMOTE_CHARGE),(identifier = ( Default_NONE -
), access = NONE))
create x25 access security filter APPL_X29Demo
set x25 access security filter APPL_X29Demo -
acl ((identifier =( APPL_X29Demo_ALL -
), access = ALL),(identifier = ( APPL_X29Demo_REMOTE -
), access = REMOTE_CHARGE),(identifier = ( APPL_X29Demo_NONE -
), access = NONE))
create x25 access security filter FILT_user_merlin
set x25 access security filter FILT_user_merlin -
acl ((identifier =( FILT_user_merlin_ALL -
), access = ALL),(identifier = ( FILT_user_merlin_REMOTE -
), access = REMOTE_CHARGE),(identifier = ( FILT_user_merlin_NONE -
), access = NONE))
create x25 access security filter FILT_user_gandalf
set x25 access security filter FILT_user_gandalf -
acl ((identifier =( FILT_user_gandalf_ALL -
), access = ALL),(identifier = ( FILT_user_gandalf_REMOTE -
), access = REMOTE_CHARGE),(identifier = ( FILT_user_gandalf_NONE -
), access = NONE))
!
!
! Create Remote DTEs
!
!
create x25 access security dte class Default remote dte match_all -
remote address prefix *
set x25 access security dte class Default remote dte match_all -
rights identifiers (FILT_user_gandalf_NONE,FILT_user_merlin_NONE, -
APPL_X29Demo_REMOTE)
set x25 access security dte class Default remote dte match_all -
acl ( ( identifier = { managers }, access = ALL), ( identifier = { staff -
}, access = REMOTE_CHARGE), ( identifier = { users }, access = NONE))
create x25 access security dte class Default remote dte remdte-0 -
remote address prefix 21532011
set x25 access security dte class Default remote dte remdte-0 -
rights identifiers (FILT_user_merlin_ALL,APPL_X29Demo_ALL)
set x25 access security dte class Default remote dte remdte-0 -
acl ( ( identifier = { staff }, access = ALL), ( identifier = { managers -
}, access = ALL), ( identifier = { users }, access = REMOTE_CHARGE))
create x25 access security dte class Default remote dte remdte-1 -
remote address prefix 21532021
set x25 access security dte class Default remote dte remdte-1 -
rights identifiers (FILT_user_gandalf_ALL,APPL_X29Demo_ALL)
set x25 access security dte class Default remote dte remdte-1 -
acl ( ( identifier = { staff }, access = ALL), ( identifier = { managers -
}, access = ALL), ( identifier = { users }, access = REMOTE_CHARGE))
!
!
! Include the user's extra enable ncl script
```

Example Configurations

C.2 Example B—Configuration of X.25 Over LLC2

```
!  
!  
do sys$startup:x25_extra_security.ncl  
!  
!  
! Include the user's extra create ncl script  
!  
!  
do sys$startup:x25_extra_create.ncl  
!  
!  
! Include the user's extra set ncl script  
!  
!  
do sys$startup:x25_extra_set.ncl  
!  
! Enable the LLC2 SAPs  
!  
enable node 0 llc2 sap sap-0  
!  
! Enable the LLC2 SAP links and DTEs  
!  
enable node 0 llc2 sap sap-0 link merlin  
enable x25 protocol dte merlin  
enable node 0 llc2 sap sap-0 link gandalf  
enable x25 protocol dte gandalf  
!  
!  
! Enable x25 access  
!  
!  
enable node 0 x25 access  
!  
!  
! Enable application entities  
!  
!  
enable node 0 x25 access application X29Demo  
!  
!  
! Include the user's extra enable ncl script  
!  
!  
do sys$startup:x25_extra_enable.ncl
```

D

Characteristic Values of the Default and OSI Transport Templates

Table D-1 contains the characteristic values of the Default and OSI Transport templates.

Table D-1 Characteristic Values of Default and OSI Transport Templates

Characteristic	Value in Default Template	Value in OSI Transport Template
DTE class	–	–
Call data	–	%x03010100
Packet size	–	2048
Window size	–	–
Destination X.25 address	–	–
Fast select option	–	–
Reverse charging	False	False
Selected group	–	–
Throughput class request	–	–
Charging information	False	False
RPOA sequence	–	–
Local subaddress	–	–
Target address extension	–	–
NSAP mapping	False	True
Calling address extension	–	–
Transit delay selection	–	–
End-to-end delay	–	–

Configuration Files—Location and Use

This Appendix lists the location and use of configuration files that are either created as a result of running the configuration program in basic and advanced configuration modes or referenced when the system is booted. Table E-1 lists the location and use of files common to both basic and advanced modes. These include user NCL scripts, which contain user-supplied NCL commands that are used to augment the commands in the master NCL script. These scripts are called by X25\$CONFIG.NCL whenever the system is booted.

Table E-2 and Table E-3 list the location and use of files specific to basic and advanced modes respectively.

Table E-1 Configuration Files Common to Both Basic and Advanced Modes

SYSS\$STARTUP:X25\$CONFIG.NCL

The master NCL script that contains the NCL commands to create the X.25 configuration. This file is generated by running the configuration program in either BASIC or ADVANCED mode and **should not** be edited.

If the configuration needs to be changed, either run X25\$CONFIGURE in ADVANCED mode or add the required NCL commands to the appropriate user NCL script (X25_EXTRA_CREATE.NCL, X25_EXTRA_SET.NCL, or X25_EXTRA_ENABLE.NCL).

SYSS\$STARTUP:X25\$ENABLE_DECNET_CLIENTS.NCL

On OpenVMS VAX systems, this NCL script contains the NCL commands to enable the X25 CLIENT entity, the X25 SERVER entity, and any x25 SERVER CLIENT entities. On OpenVMS VAX systems, this file is generated by running the configuration program and **should not** be edited. On OpenVMS I64 and OpenVMS Alpha systems, this file is generated for backward compatibility but does not contain any NCL commands. You can use this file to move an NCL script file from an OpenVMS VAX system. If you do, you must place a command in the master NCL script to invoke this script. Be aware that a new version of this file is created whenever the configuration program is run.

SYSS\$STARTUP:X25\$EXTRA_CREATE.NCL

File containing additional, user-supplied NCL commands specific to **creating** entities. By default, this file does not contain any NCL commands.

SYSS\$STARTUP:X25\$EXTRA_ENABLE.NCL

File containing additional, user-supplied NCL commands specific to **enabling** entities. By default, this file does not contain any NCL commands.

(continued on next page)

Configuration Files—Location and Use

Table E-1 (Cont.) Configuration Files Common to Both Basic and Advanced Modes

`SYSS$STARTUP:X25$EXTRA_SECURITY.NCL`

File containing additional, user-supplied NCL commands specific to **security**. By default, this file does not contain any NCL commands.

`SYSS$STARTUP:X25$EXTRA_SET.NCL`

File containing additional, user-supplied NCL commands specific to **setting** the values of entities. By default, this file does not contain any NCL commands.

Table E-2 Configuration Files Specific to BASIC Mode

`SYSS$STARTUP:X25$BASIC_CONFIG.DAT`

File in which the X.25 configuration created by running the configuration program in BASIC mode is saved. This file is created so that it is available for reloading if the option to modify the configuration is selected when running the configuration program in either BASIC or ADVANCED modes. Refer to *Note* below.

Table E-3 Configuration Files Specific to ADVANCED Mode

`SYSS$STARTUP:X25$CONFIG.DAT`

File in which the X.25 configuration created by running the configuration program in ADVANCED mode is saved. This file is created so that it is available for reloading if the option to modify the configuration is selected only when running the configuration program in ADVANCED mode. Refer to *Note* below.

Note

If both `X25$CONFIG.DAT` and `X25$BASIC_CONFIG.DAT` have been created and the “Modify an existing configuration script” option is selected when running the configuration program in ADVANCED mode, then `X25$CONFIG.DAT` will be used.

If `X25$CONFIG.DAT` is the only file created and the “Modify an existing configuration script” option is selected when running the configuration program in BASIC mode, `X25$CONFIG.DAT` will not be used. You can do one of the following:

- Exit BASIC mode and reinvoke the configuration program in ADVANCED mode.

Configuration Files—Location and Use

- Choose the “Create a new configuration script” option from the Main Menu.
-

A

Adding configuration information, 2–6
Address extension
 reachable addresses, 7–10
Address prefix, 7–10
Advanced Mode
 adding information to a section, 2–6
 Applications Section, 6–3, 8–19
 changing existing information, 2–6
 common operations, 2–3
 completing a section, 2–6
 creating a new configuration, 8–1
 creating the configuration file, 2–7
 exiting, 2–9, 8–3
 Filters Section, 6–4, 8–23
 flowcharts, 8–1
 Groups Section, 6–3, 8–16
 Incoming Security: Applications Section, 6–5, 8–29
 Incoming Security: Filters Section, 6–5, 8–30
 Incoming Security: Relay–Client Section, 6–5
 Incoming Security: X.25 Server–Client Section, 8–31
 Introduction Section, 8–1
 introductory screens, 8–1
 invoking, 2–1
 leaving, 2–9, 8–3
 Lines and DTEs Section, 6–2, 8–5
 LLC2 DTEs Section, 6–2, 8–8
 Main Menu, 8–1
 modifying a configuration, 8–2
 moving between sections, 2–4
 moving within a section, 2–4
 NCL Script Section, 5–14, 6–5, 8–33
 obtaining help, 2–7
 Options Menu, 2–6
 Outgoing Security: Local Processes Section, 6–5, 8–32
 overview of configuration sections, 6–1
 pre-requisite knowledge, 6–1
 program structure, 6–1
 PVCs Section, 6–3, 8–14
 quitting, 2–9
 Reachable Addresses Section, 6–4, 8–25
 Relay–Clients Section, 6–3
 Remote DTE Classes Section, 6–2, 8–4

Advanced Mode (cont'd)
 required configuration data, 7–1
 required information, 6–1
 Sections Menu, 2–6, 8–2
 Security Section, 8–28
 Server–Clients and Filters Section, 6–4
 Session Connections Section, 6–3, 8–13
 supported keys, 2–5
 Templates Section, 6–4, 8–24
 X.25 Mail Section, 6–3, 8–18
 X.25 Relay–Clients Section, 8–21
 X.25 Security Section, 6–5
 X.25 Server–Clients Section, 8–26
 X.29 Support Section, 6–3, 8–17
 XOT DTEs Section, 6–3, 8–10
Application filters, 6–3, 8–19
Applications, 7–7
 Command file, 6–3, 7–7
 defining incoming calls to, 6–3
 Name, 7–7
 security, 7–11
 Type, 7–7
 Username, 6–3, 7–7
 using NSAP addresses, 6–4
 X.25, 6–3, 8–19
 X.29, 6–3, 8–19
 X.29 Login, 8–19
Applications Section, 6–3, 8–19

B

Basic configuration
 X.25 Client, 5–8
Basic Mode
 adding information to a section, 2–6
 changing existing information, 2–6
 common operations, 2–3
 completing a section, 2–6
 creating a new configuration, 5–2
 creating the configuration file, 2–7
 exiting, 2–9, 5–3
 flowcharts, 5–1
 incoming call security, 5–10
 Incoming Call Security Section, 3–2
 Introduction Section, 5–1
 introductory screens, 5–1
 invoking, 2–1
 leaving, 2–9, 5–3

- Basic Mode (cont'd)
 - Main Menu, 5-1
 - modifying a configuration, 5-2
 - moving between sections, 2-4
 - moving within a section, 2-4
 - obtaining help, 2-7
 - Options Menu, 2-6
 - overview of configuration sections, 3-2
 - PVCs Section, 3-2, 5-9
 - quitting, 2-9
 - required configuration data, 4-1
 - Sections Menu, 2-6, 5-2
 - supported keys, 2-5
 - X.25 Client Section, 3-2, 5-8
 - X.25 Connection Section, 3-2
 - X.25 Mail Section, 3-3, 5-13
 - X.25 over Local Area Network Section, 3-2, 5-6
 - X.25 over Wide Area Network Section, 3-2, 5-4
 - X.29 Support Section, 3-2, 5-12
- BCUGs, 8-16
- Bilateral Closed User Groups
 - See BCUGs

C

- Call data, 7-9
- Call Data Mask, 7-8
- Call Data Value, 7-8
- Called Address Extension Mask, 7-8
- Called Address Extension Value, 7-8
- Called NSAP filters, 7-8
- Calling address extension, 7-9
- Changing a configuration, 10-1
- Changing configuration information, 2-6
- Channel number for PVCs, 4-2
- Character-mode terminals, 6-3
- Charging information, 7-9
- Closed User Groups
 - See CUGs
- Configuration files
 - location, E-1
 - uses, E-1
- Configuration flowcharts
 - advanced mode, 8-1
 - basic mode, 5-1
- Configuration program
 - description (advanced mode), 6-1
 - description (basic mode), 3-1
- Configurations
 - discarding, 10-4
 - editing user NCL script files, 10-3
 - modifying dynamically, 10-3
- Configuration sections
 - advanced mode, 6-1
 - basic mode, 3-2

- Configuration Test Procedure
 - see CTP
- Connector Node Names, 4-2
- Connector systems, 8-4
- Creating a new configuration
 - advanced mode, 8-1
 - basic mode, 5-2
- CTP, 9-1
 - as a network object, 9-1
 - failure reasons, 9-10
 - overview, 9-1
 - preparations, 9-1
 - privileges required, 9-1
 - Receive-Only mode, 9-2, 9-3
 - rights identifiers required, 9-2
 - running as a network object, 9-2
 - running interactively, 9-2
 - Send/Receive mode, 9-2, 9-4
 - Send-Only mode, 9-2, 9-4
 - system quotas required, 9-2
 - testing access to partner systems, 9-2
 - testing communication to remote system
 - overview, 9-1
 - testing in loopback mode
 - overview, 9-1
 - restrictions, 9-1
 - testing to remote system
 - restrictions, 9-1
 - test modes, 9-3
- CUG number, 7-6, 8-16
- CUGOAs, 8-16
- CUGs, 6-3, 8-16

D

- Data entry mode, 2-3
- Default template, D-1
 - characteristic values, D-1
- Destination DTE address
 - templates, 7-9
- Destination DTE Address
 - reachable addresses, 7-10
- Device, 7-2
- Discarding a configuration, 10-4
- DTE addresses, 4-1, 4-2, 6-4, 7-2
- DTE classes, 7-3
 - filters, 7-8
 - reachable addresses, 7-10
 - remote, 6-2
 - Remote, 7-1, 8-4
 - templates, 7-9
- DTE name, 7-2
- DTEs
 - name, 7-5
- DTE status
 - verifying, 9-2

Dynamically modifying configurations, 10–3

E

End-to-end delay, 7–9
Entering data, 2–3
 horizontal scrolling, 2–3
Exiting Advanced Mode, 8–3
Exiting Basic Mode, 5–3
Exiting from the configuration program
 advanced mode, 2–9
 basic mode, 2–9
Expedited data, 7–9
Extended frame sequence numbering, 7–2
Extended packet sequence numbering, 7–2

F

Fast select, 7–9
Filters, 7–8
 Application, 6–3, 8–19
 Call Data Mask, 7–8
 Call Data Value, 7–8
 Called Address Extension Mask, 7–8
 Called Address Extension Value, 7–8
 Called NSAP, 7–8
 DTE Class, 7–8
 Group name, 7–8
 Incoming DTE Address, 7–8
 Originally Called Address, 7–8
 Priority, 6–4, 7–8
 Receiving DTE Address, 7–8
 Redirect Reason, 7–8
 Security, 7–12
 Sending DTE Address, 7–8
 Unspecified attributes, 8–19
 Unspecified parameters, 6–4
Filters Section, 6–4, 8–23
Flowcharts
 advanced mode, 8–1
 basic mode, 5–1
Forms for recording configuration values, A–1

G

Groups, 7–6
 CUG number, 7–6
 DTE name, 7–6
 filters, 7–8
 name, 7–6
 remote DTE address, 7–6
 type, 7–6
Groups Section, 6–3, 8–16

H

Help
 advanced mode, 2–7
 basic mode, 2–7
 general, 2–7
 leaving, 2–7
 on how the program works, 2–7
 on specific fields, 2–7
Horizontal scrolling, 2–3

I

Incoming Call Security Section, 3–2
Incoming DTE Address, 7–8
Incoming logical channel range, 4–1, 4–2
Incoming security
 Applications, 7–11
 Filter, 7–12
 X.25 Relay–Clients, 8–31
Incoming Security (X.25 Relay Clients) Section
 DTE addresses, 7–13
 reverse charging, 7–13
Incoming Security: Applications Section, 6–5,
 8–29
Incoming Security: Filters Section, 6–5, 8–30
Incoming Security: Relay–Client Section, 6–5
Incoming Security: X.25 Relay–Clients Section,
 8–31
Information required for configuration
 advanced mode, 6–1
 basic mode, 3–1
Insert mode, 2–3

K

Keys used in configuration procedure, 2–5
Keys used in configuration program, 2–3

L

LAN device name, 4–2
LAN Device Name, 8–8
LAN remote host name, 4–2
Leaving Advanced Mode, 8–3
Leaving Basic Mode, 5–3
Line name, 7–2
Lines and DTEs, 7–2
Lines and DTEs Section, 6–2, 8–5
Line speed, 7–2
LLC2, 7–3
 default window size, 7–4
 DTE address, 7–3
 DTE name, 7–3
 DTEs, 8–8
 extended packet sequence numbering, 7–3
 inbound DTE class, 7–4

LLC2 (cont'd)
incoming logical channel range, 7-3
interface mode, 7-3
LAN device, 7-3
level 3 profile, 7-3
local LSAP, 7-3
maximum packet size, 7-3
maximum window size, 7-4
minimum packet size, 7-3
minimum window size, 7-3
outgoing logical channel range, 7-3
packet level negotiation, 7-3
packet size, 7-3
remote LSAP, 7-3
remote MAC address, 7-3
LLC2 DTEs Section, 6-2, 8-8
Loading network profiles, 1-4
Local processes
security, 7-14
Local subaddress, 7-9
Logical channels, 4-1, 4-2, 7-2

M

MAC address, 4-2
Modifying a configuration, 10-1
advanced mode, 8-2
Basic mode, 5-2

N

NCL script, 2-7, 6-5
creating, 5-14, 8-33
failure to create, 5-14, 8-33
Failure to create, 2-8
NCL Script Section, 5-14, 6-5, 8-33
Negotiation
Packet level, 7-2
Network Names, 4-2
Network profiles
loading, 1-4
NSAP addresses, 6-4
NSAP mapping, 7-9

O

Options Menu, 2-6
Add an item, 2-6
Continue, 2-6
Delete an item, 2-6
Go to Sections Menu, 2-6
Modify an item, 2-6
Originally Called Address, 7-8
OSI Transport template, D-1
characteristic values, D-1
Outgoing calls, 8-24

Outgoing logical channel range, 4-1, 4-2
Outgoing security
local processes, 7-14
Outgoing Security: Local Processes Section, 6-5, 8-32
Overstrike mode, 2-3

P

Packet level negotiation, 7-2
Packet size, 7-2
for PVCs, 7-5
LLC2, 7-3
Templates, 7-9
XOT, 7-4
Planning a configuration, 1-3
Post-configuration tasks, 2-9
Privileges required for CTP, 9-1
Profile, 7-2
Profile name, 4-1
PVC name, 4-2
PVCs, 7-5, 8-14
channel number, 7-5
name, 7-5
outgoing security, 7-14
packet size, 7-5
window size, 7-5
PVCs Section, 3-2, 5-9, 6-3, 8-14

Q

Quitting from the configuration program
advanced mode, 2-9
basic mode, 2-9

R

RAP, 7-11, 7-12, 7-14
Reachable addresses
address prefix, 7-10
conversion mechanism, 7-10
destination DTE address, 7-10
DTE class, 7-10
Reachable Addresses Section, 6-4, 8-25
Receive-Only mode of CTP, 9-3
Receiving DTE Address, 7-8
Redirect Reason, 7-8
Relay Clients
client name, 7-7
DTE class, 7-7
filter name, 7-7
template, 7-7
Relay-Clients Section, 6-3
Remote Address Prefix
See RAP
Remote DTE classes, 7-1, 8-4

- Remote DTE Classes Section, 6–2, 8–4
- Required configuration data
 - advanced mode, 7–1
 - basic mode, 4–1
- Reverse charging, 7–9
- Reviewing information, 2–4
- RPOA sequence number, 7–9
- Running CTP, 9–1
- Running the configuration program, 2–1
 - privileges required, 2–1

S

- Sections in the configuration program, 2–3
 - optional sections, 2–3
- Sections Menu, 2–6
- Security
 - filter, 7–12
 - incoming, applications, 7–11
 - Outgoing, local processes, 7–14
- Security Section, 8–28
- Segment size, 7–3
- Selected group, 7–9
- Send/Receive mode of CTP, 9–4
- Sending DTE Address, 7–8
- Send-Only mode of CTP, 9–4
- Server-Clients
 - client name, 7–10
 - filter name, 7–10
 - rights identifiers, 7–10
 - service nodes, 7–10
- Server-Clients Section, 6–4
- Session Connections Section, 6–3, 7–5, 8–13
- Setting the TERM environment variable, 2–5
- Software licenses, 1–3
- Specifying Connector Node Names, 4–2
- Specifying Network Names, 4–2
- Starting the configuration program, 2–1
- Superseded configurations
 - re-using, 10–4
 - reusing, 10–4
- Synchronous line name, 4–1
- Synchronous lines, 8–5

T

- Target address extension, 7–9
- TCP/IP Address, 8–10
- Templates, 7–9
 - Call data, 7–9
 - Calling address extension, 7–9
 - Charging information, 7–9
 - Default template, 6–4, 8–24
 - Destination DTE address, 7–9
 - DTE class, 7–9
 - End-to-end delay, 7–9
 - Expedited data, 7–9
 - Fast select, 7–9

Templates (cont'd)

- Local facilities, 7–9
- Local subaddress, 7–9
- Network user identity, 7–9
- NSAP mapping, 7–9
- OSI Transport template, 6–4, 8–24
- Packet size, 7–9
- Reverse charging, 7–9
- RPOA sequence number, 7–9
- Selected group, 7–9
- Target address extension, 7–9
- Throughput class request, 7–9
- Transit delay selection, 7–9
- Unspecified attributes, 8–24
- Window size, 7–9

Templates Section, 6–4, 8–24

Testing the X.25 configuration, 9–1

Throughput class request, 7–9

Transit delay selection, 7–9

U

User NCL Script Files

- definition of, 10–1
- editing, 10–3
- for NCL create commands, 10–3
- for NCL enable commands, 10–3
- for NCL security-related commands, 10–3
- for NCL set commands, 10–3

W

Window size

- for PVCs, 7–5
- LLC2, 7–4
- packet level
 - default, 7–2
 - maximum, 7–2
 - minimum, 7–2
- templates, 7–9
- XOT, 7–5

X

- X.121, 8–25
- X.25 applications, 6–3, 8–19
- X.25 Client Section, 3–2, 5–8
- X.25 Mail, 6–3
- X.25 Mail Section, 6–3, 8–18
 - basic mode, 3–3, 5–13
- X.25 over Local Area Network Section, 3–2, 5–6
- X.25 over Wide Area Network Section, 3–2, 5–4
- X.25 Relay-Clients Section, 8–21
- X.25 Security Section, 6–5
- X.25 Server-Clients Section, 8–26
- X.29, 7–6

- X.29 applications, 6-3, 8-19
- X.29 Login applications, 8-19
- X.29 support, 6-3
- X.29 Support Section, 6-3, 8-17
 - basic mode, 3-2, 5-12
- x25\$config
 - advanced mode, 2-1
 - basic mode, 2-1
- XOT
 - default packet size, 7-4
 - default window size, 7-5
 - DTE address, 7-4
 - DTE name, 7-4
 - DTEs, 8-10
 - inbound DTE class, 7-5
 - incoming logical channel range, 7-4
 - level 3 profile, 7-4
 - local RFC1613 port number, 7-4
 - logical channels, 7-4
 - maximum packet size, 7-4
 - maximum window size, 7-4
 - minimum packet size, 7-4
 - minimum window size, 7-4
 - outgoing logical channel range, 7-4
 - packet level negotiation, 7-4
 - packet size, 7-4
 - remote RFC1613 port number, 7-4
 - remote TCP/IP address, 7-4
 - TCP/IP address, 7-4
- XOT DTEs Section, 6-3, 8-10